

VARITRON[®]
Take Control In Speed

驅動科技系列產品
Power Transmission Technologies



PIV Chain Variable Speed Drive

PIV 鏈條無段變速機

Features 特點

Outstanding Stability of Speed

Precision mechanism design prevents slip lost of speed even when uneven load.

High Efficiency Exceptional Torque Characteristics

Special design metal slatted chain and grooved curved conical discs provides high efficiency and torque characteristics.

Modular Design

Modular design suitable for horizontal or vertical mounting with dual drive shafts provide flexibility of coupling.

Operationally Reversible and Wide Range of Output Speed

PIV Chain variable speed drive has a wide range of variable ratio of 1:3,1:4.5 & 1:6 with operationally reversible.

精密的速度變化

精密的機構設計，即使負荷改變也不會有滑失現象發生，能範圍內保持同一速度。

高效率與卓越的轉矩特性

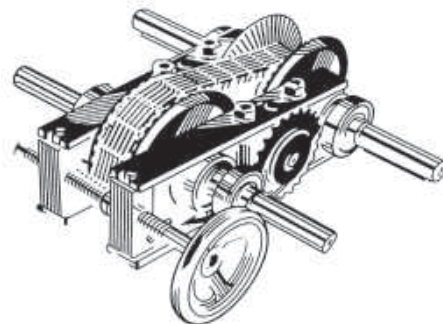
特殊設計疊片式鏈條與多槽的傘形輪盤提高傳動效率與高轉矩特性。

模組化設計

模組化設計提供立式與臥式簡單互換腳座，並提供雙入力及雙出力軸方便配置。

變速範圍大及可正逆轉

變速比1:3, 1:4.5 & 1:6提供更大的變速範圍及可逆轉。



Catalog 目錄



gear.fyi/piv

Manual 保養手冊



gear.fyi/pim

Selection Table 型號選擇表

Frame Size 型號	Ratio 變速比	Input RPM 輸入軸轉速 N ₁ rpm	Output RPM 輸出軸轉速 rpm	Output Power 輸出功率 (kW)	Output Torque 輸出扭矩 (Nm)	Chain Type 鍊條規格	Max. Input Power 最大輸入馬力 (kW)
PIV-P0	3:1	720	1245 415	0.559 0.426	4.28 9.8	P0-0100 26 節	0.75
	4.5:1	720	1530 340	0.559 0.349	3.48 9.8	P0-0100 25 節	
	6:1	720	1770 295	0.559 0.301	2.94 9.8	P0-0100 25 節	
	3:1	830	1437 479	0.647 0.456	4.28 9.8	P0-0100 26 節	
	4.5:1	830	1706 391	0.647 0.401	3.48 9.8	P0-0100 25 節	
	6:1	830	2028 338	0.647 0.346	2.94 9.8	P0-0100 25 節	
	3:1	950	1644 548	0.735 0.559	4.28 9.8	P0-0100 25 節	
PIV-P1	4.5:1	950	2016 448	0.735 0.456	3.48 9.8	P0-0100 25 節	1.5
	3:1	720	1245 415	1.12 0.82	8.3 18.6	P1-0100 26 節	
	4.5:1	720	1530 340	1.12 0.67	6.9 18.6	P1-0100 25 節	
PIV-P2	6:1	720	1770 295	1.12 0.59	5.9 18.6	P1-0100 25 節	3
	3:1	720	1245 415	2.24 1.64	16.7 37.3	P3-0100 27 節	
	4.5:1	720	1530 340	2.24 1.34	13.7 37.3	P3-0100 26 節	
PIV-P3	6:1	720	1770 295	2.24 1.12	11.8 37.3	P1-0100 29 節	4
	3:1	720	1245 415	3.73 2.6	28.5 58.8	P3-0100 35 節	
	4.5:1	720	1530 340	3.73 2.06	22.6 58.8	P3-0100 34 節	
PIV-P4	6:1	720	1770 295	3.73 1.86	19.6 58.8	P1-0100 33 節	7.5
	3:1	720	1245 415	5.9 4.1	44.1 93.2	P4-0110 34 節	
	4.5:1	720	1530 340	5.9 3.35	36.3 93.2	P4-0110 33 節	
PIV-P5	6:1	720	1770 295	5.9 2.97	31.4 93.2	P4-0110 33 節	11
	3:1	720	1245 415	11.2 7.8	83.4 176.5	P5-0110 41 節	
	4.5:1	720	1530 340	11.2 6.3	68.9 176.5	P5-0100 40 節	
PIV-P6	6:1	720	1770 295	10.4 5.6	54.9 176.5	P5-0100 39 節	22
	2.8:1	625	1045 375	19.4 11.5	176.5 294.2	P6-0110 40 節	
	4:1	625	1250 312	18.6 9.7	137.3 294.2	P6-0100 39 節	
	5.6:1	550	1300 232	16.4 7.46	117.7 294.2	P6-0100 38 節	

PIV Chain Variable Speed Drive 鏈條無段變速機

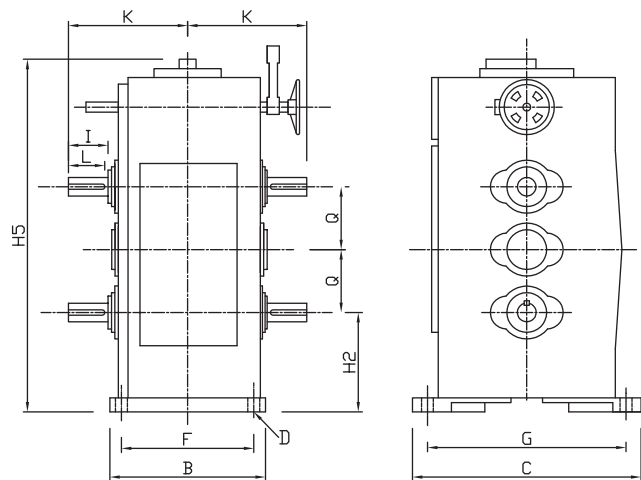
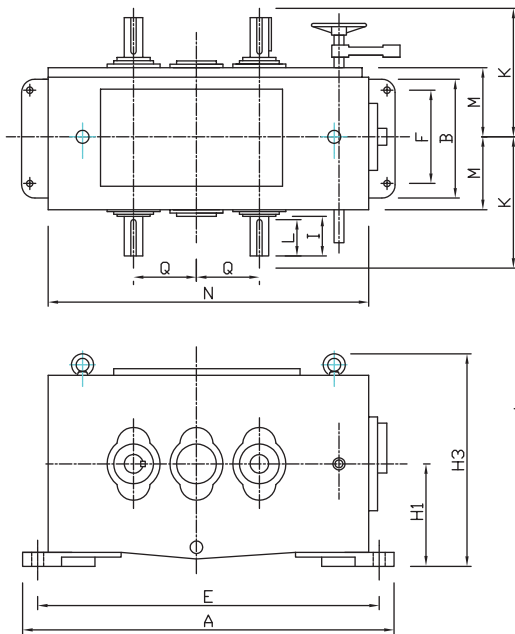
Dimensions 外型尺寸表



HORIZONTAL TYPE
橫式



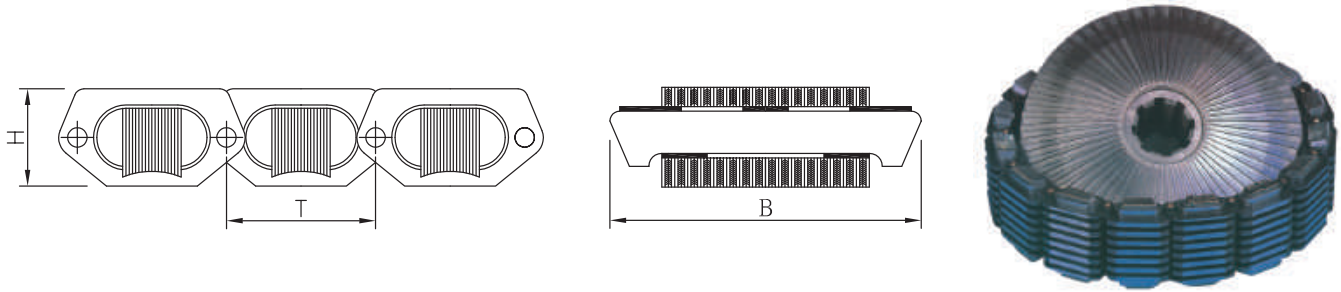
VERTICAL TYPE
直式



Frame Size 型號	H1	H2	H3	H5	K	Q	M	N	Foot Stock 腳座						Shaft 軸心					Weight 重量 (kg)	
									A	B	C	D	E	F	G	S	J	W	I		L
PIV-P0	90	90	173	315	111	60	67.5	296	360	116	242	11	325	110	212	16	5	5	31.5	28	30
PIV-P1	132	132	300	430	160	80	85	384	450	185	285	14	410	150	250	24	8	7	60	50	50
PIV-P2	150	150	345	505	180	95	110	460	540	240	345	18	495	200	300	28	8	7	60	50	82
PIV-P3	170	170	380	614	233	124	134	580	660	307	390	18	615	265	350	32	10	8	80	70	145
PIV-P4	200	215	422	762	257	152	155	712	810	350	470	23	755	295	410	38	12	10	80	70	235
PIV-P5	250	250	524	875	326	180	190	830	930	425	590	28	870	360	530	45	14	9	110	100	400
PIV-P6	300	300	635	1045	400	215	230	1000	1150	510	750	36	1060	410	660	60	18	11	140	125	750

※ Optional Smart Monitoring System can be integrated, contact Varitron® or your sales personal. 如需加購智能監控系統，請洽中國變速。

Chain Specifications Table 鏈條規格表

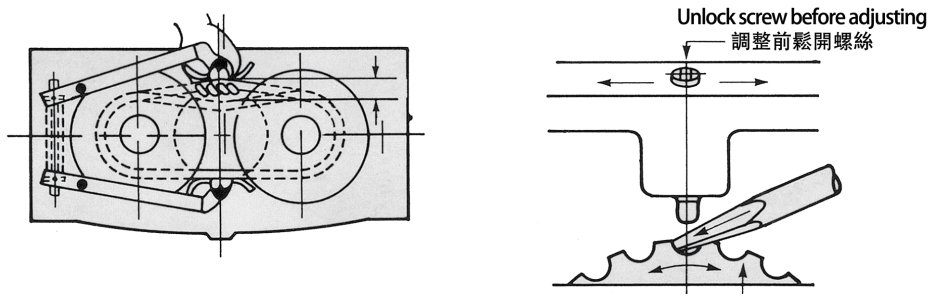


Frame Size 型號	Chain 疊片式鏈條		Range 調整範圍	T	B	H
	Type 規格	Joint 節數				
PIV-P0	P0 - 0100	26	3	18.7	24.39	9.5
	P0 - 0100	25	4.5	18.7	24.39	9.5
	P0 - 0100	25	6.1	18.7	24.39	9.5
PIV-P1	P1 - 0100	26	3	25	37.84	13.5
	P1 - 0100	25	4.5	25	37.84	13.5
	P1 - 0100	25	6	25	37.84	13.5
PIV-P2	P3 - 0100	27	3	28.6	44.5	16
	P3 - 0100	26	4.5	28.6	44.5	16
	P1 - 0100	29	6	25	37.84	13.5
PIV-P3	P3 - 0100	35	3	28.6	44.5	16
	P3 - 0100	34	4.5	28.6	44.5	16
	P3 - 0100	33	6	28.6	44.5	16
PIV-P4	P4 - 0110	34	3	36	58.83	20.5
	P4 - 0110	33	4.5	36	58.83	20.5
	P4 - 0110	33	6	36	58.83	20.5
PIV-P5	P5 - 0110	41	3	36	70.18	20.5
	P5 - 0100	40	4.5	36	70.18	20.5
	P5 - 0100	39	6	36	70.18	20.5
PIV-P6	P6 - 0110	40	2.8	44.4	77.64	23.7
	P6 - 0100	39	4	44.4	77.64	23.7
	P6 - 0100	38	5.6	44.4	77.64	23.7

※ Laminated chain matches PIV variable speed drive in different ratio and sizes, complete model or type is needed during ordering. Laminated chain can be interchange with different brand PIV speed change drive.

※ 疊片式鏈條是依據變速機規格的大小及速度調整範圍而相互配合，訂購備品時請提供變速機完整型式或鏈條規格。此疊片式鏈條也可用在其他廠牌變速機。

Chain Gap Adjusting Table 鏈條間隙表



Frame Size 型號	PIV-P1	PIV-P2	PIV-P3	PIV-P4	PIV-P5	PIV-P6
Gap 間隙 (mm)	20 ~ 25	25 ~ 35	25 ~ 35	30 ~ 40	30 ~ 40	35 ~ 45

※ Check & Adjust every 1000 hours of operation. 每 1000 小時，須檢查調整一次。

POWER TRANSMISSION INDEX

A1

Cycloidal Drive Reducer

賽驅樂減速機

HM



Pg.A47

HX



Pg.A55

H



Pg.A61

VM



Pg.A64

VX



Pg.A72

V



Pg.A78

Page
A01~A82

A2

RV Precision Cycloidal Gear

高精密擺線減速機

RV-E



Pg.A84

RV-C



Pg.A84

Page
A83~A84

B1

Precision Planetary Gearbox

精密行星減速機

DA



Pg.B06

DG



Pg.B08

DGT



Pg.B10

DM



Pg.B12

DML



Pg.B14

DF



Pg.B16

DH



Pg.B18

DL



Pg.B20

DN



Pg.B22

RAM-S



Pg.B24

RAM-SS



Pg.B25

RAM-H



Pg.B26

RAM-D



Pg.B27

RAM-F



Pg.B28

RAH-S



Pg.B30

RAH-SS



Pg.B31

RAH-H



Pg.B32

RAH-D



Pg.B33

RAH-F



Pg.B34

HRP



Pg.B38

HRP-H



Pg.B39

Page
B01~B39

B2

Planetary Gear Reducer

遊星式減速機

HF



Pg.B47

VF



Pg.B48

HS



Pg.B49

VS



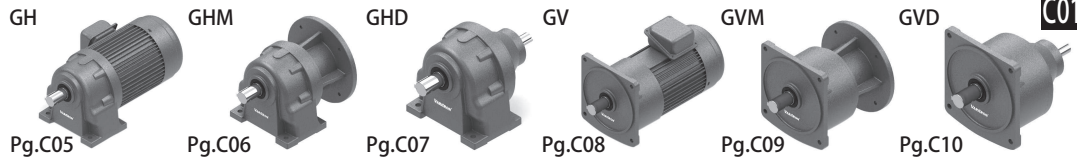
Pg.B50

Page
B40~B51

C1

Compact Helical Gear Motor Reducers

小型齒輪減速機



Page
C01~C10

C2

Helical Gear Motor Reducers

齒輪減速機



Page
C11~C16

C3

SEW Type Gear Reducer

歐規齒輪減速機



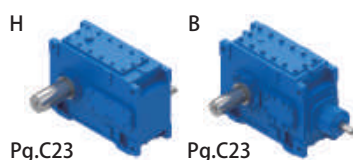
Page
C18~C21



C4

Industrial Helical Bevel Gearbox

齒輪箱



Page
C22~C23

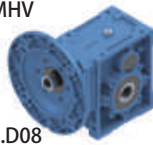
POWER TRANSMISSION INDEX

D1

NMHV Hypoid-Helical Gear Reducer

萬向螺旋齒輪減速機

NMHV



Pg.D08

NHV



Pg.D09

Page
D01~D09

D2

NMRV Worm Gear Reducer

萬向蝸輪減速機

NMRV



Pg.D20

NMRV-NMRV



Pg.D21

NRV



Pg.D22

NRV-NMRV



Pg.D22

PC-NMRV



Pg.D23

Page
D10~D25

D3

Worm Gear Speed Reducer

蝸輪減速機

HW



Pg.D33

HMW



Pg.D34

HOM



Pg.D35

LW



Pg.D36

LMW



Pg.D37

HOW



Pg.D38

Page
D26~D53

LOW



Pg.D38

VW



Pg.D39

VMW



Pg.D40

VOW



Pg.D41

VOM



Pg.D42

UW



Pg.D43

UMW



Pg.D44

TW



Pg.D45

TMW



Pg.D45

TOW



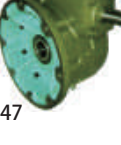
Pg.D46

TOM



Pg.D46

VOF



Pg.D47

VOFM



Pg.D47

LH



Pg.D48

LHM



Pg.D48

LOH



Pg.D49

LOHM



Pg.D49

VH



D50

UH



Pg.D50

VHM



Pg.D51

UHM



Pg.D51

VOH



Pg.D52

VOHM



Pg.D52

E1

Disco Speed Variator

無段變速機

AM



Pg.E07

AK



Pg.E07

AVM



Pg.E07

AV



Pg.E07

AHM



Pg.E07

Page
E01~E08

TXF



Pg.E08

TKF



Pg.E08

E2

Belt Stepless Variable Speed Drive

皮帶變速機

APH



Pg.E09

HV



Pg.E10

Page
E09~E10

E3

Five Steps Buffered Speed Changer

五段緩衝式變速機

LM



Pg.E11

Page
E11

E4

PIV Chain Variable Speed Drive

鍊條無段變速機

PIV-H



Pg.E13

PIV-V



Pg.E13

Page
E12~E14

F1

Spiral Bevel Gear Box

十字轉向機

LG



Pg.F03

Page
F01~F03

F2

Spiral Screw Rod Actuators

螺桿升降機

SR



Pg.F06

SRM



Pg.F06

Page
F05~F07

G

Induction Electric Motor

感應馬達

AEEH/AEEP/AEES



Pg.G06

AEVH/AEVP/AEVS



Pg.G07

AEEH-ALB3



Pg.G09

AEVH-ALB5



Pg.G10

AEVH-ALB14



Pg.G10

Page
G01~G10

H

Agitator Mixer

攪拌機

HMM



Pg.H05

LCV



Pg.H06

GVV



Pg.H07

CS/CSS



Pg.H08

HMB



Pg.H09

SC/SCB

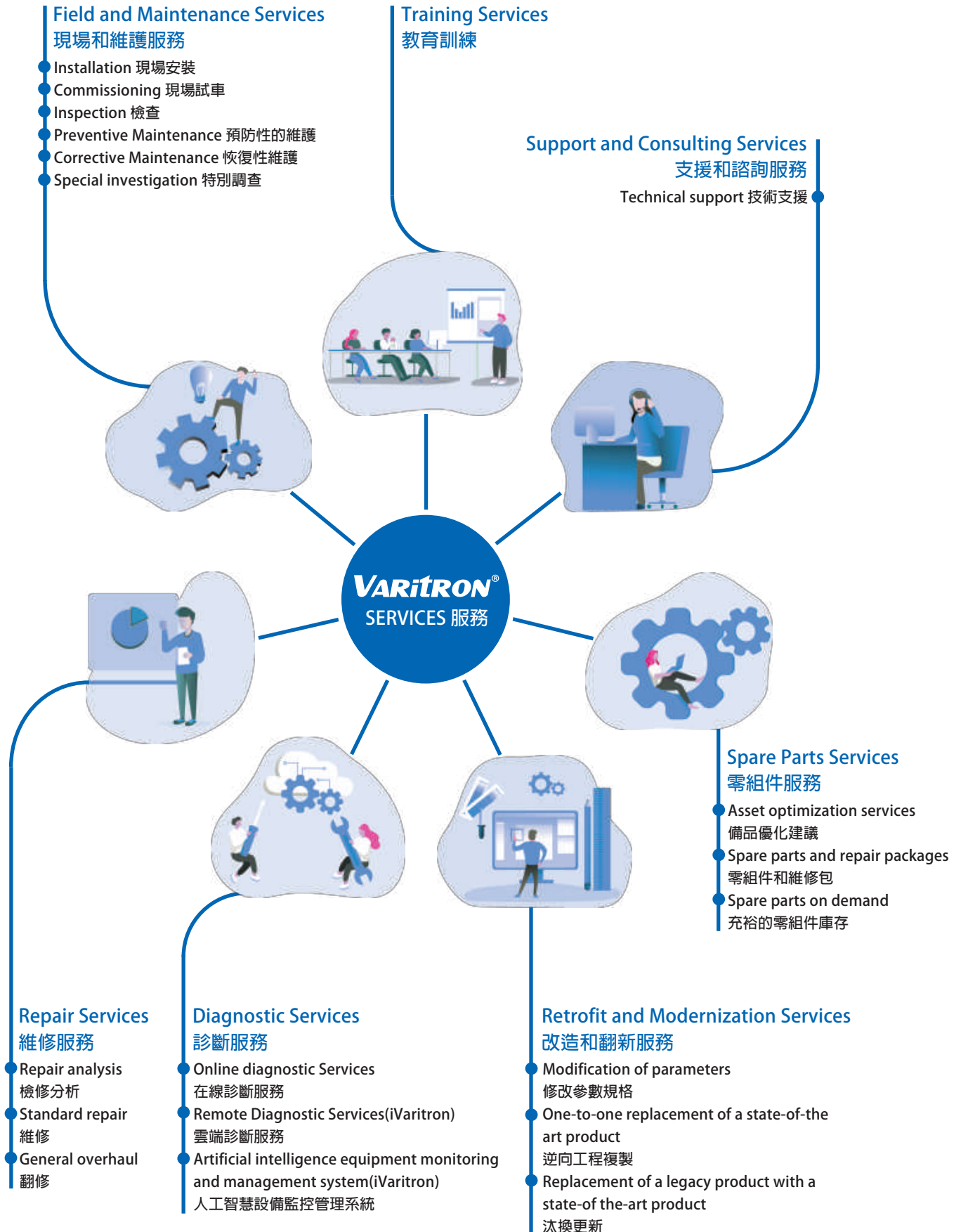


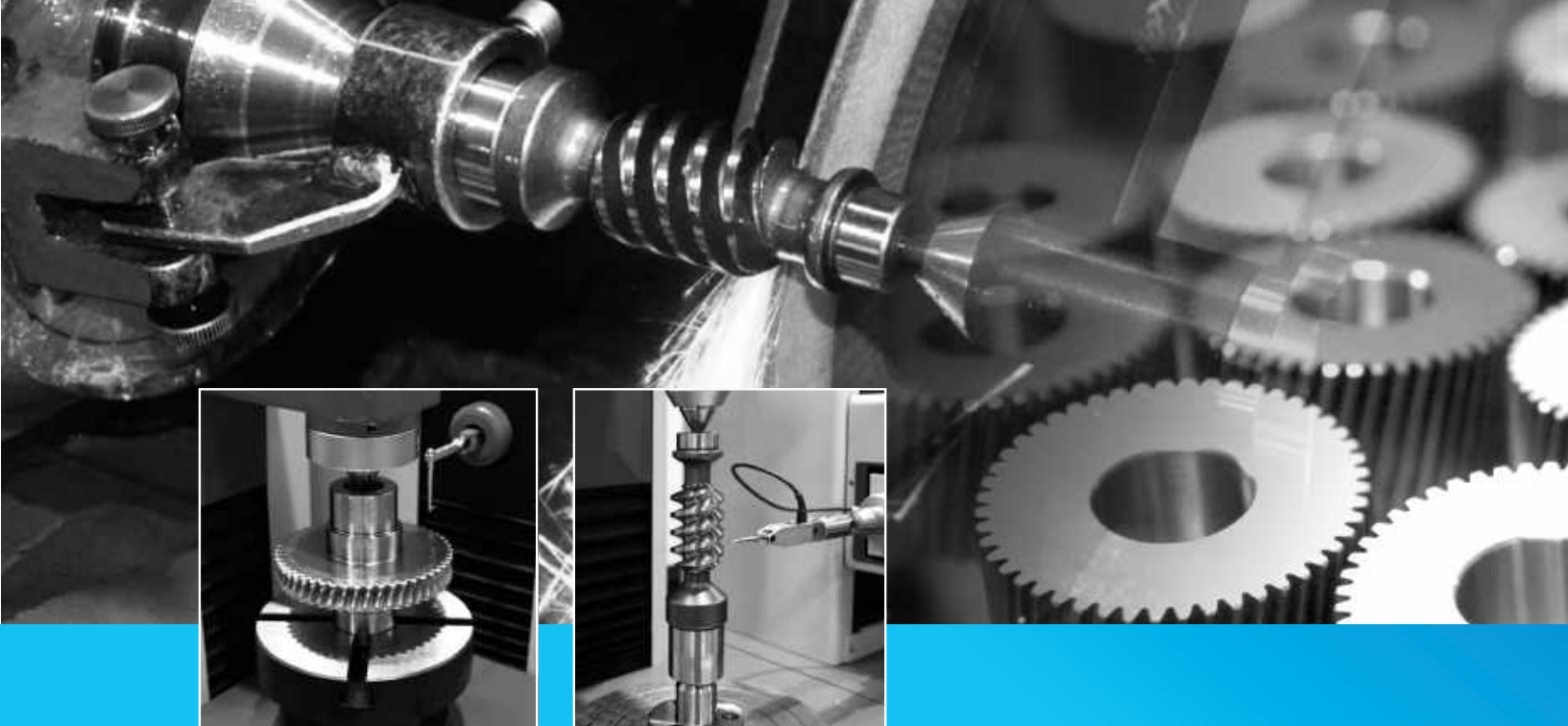
Pg.H10

Page
H01~H10

VARITRON® Total Solution for Transmission Units

全方位的驅動產品服務





MADE IN TAIWAN

Service perfection, Quality superiority, Research and Development are the core enterprise spirits of VARITRON since 1971. Responding to both domestic customers and international market demands, we never stop to make innovation for gearbox function, efficiency and quality improvement, accompany with accurate and in-time after service. To improve quality control, VARITRON has been certified with ISO9001 since 2008.

Varitron wide power transmission product line including Cycloidal Drive, Precision Planetary Gearbox, Helical Gearmotor, Planetary Gear Reducers, Worm Gearbox, Variator and Induction Motor provides different industries sectors including CNC Machineries, Semi-conductor, Chemical, Steel Industries, Factory facilities, Automation Machineries, robo-tic arm With Varitron strong mechanical engineering team, Varitron provides customizes transmission gearbox and many newly innovated pattern products.

Service

Towards Varitron's Half-century, we serve more than 40 countries. VARITRON has more than 10 service points in cooperation with regional agents globally to timely assist our customers not only for hardware, like parts and maintenance, but also for software, like design consultant

Quality

Quality Perfection is Varitron's core value, new machinery and quality check equipment is deploy in the manufacturing. Minimum 30 quality check point is done from raw material to final gearbox. In-house testing laboratory, ISO9001 and ISO14001 quality control system to ensure every gearbox meets perfection.

Innovation

Our specialized R&D teams constantly developing new gearbox, gear motor and motors for effectively fabricating transmission products, and working to improve machine quality. VARITRON never stops doing market surveys and attending international exhibitions. With decades of knowledge accumulated about market information and changes in machineries trends, we can provide the most valuable information to our clients and assist our clients in industrial upgrading.



VARITRON®
Take Control In Speed

「服務」、「品質」、「研發」是中國變速工程股份有限公司自1971年成立以來一直秉持的核心精神。為因應國際多元化的市場需求，我們不斷挑戰速度及品質的極限亦擁有領先且精密的技術，在近半世紀的努力下，終於從一家國內的減速機工廠蛻變為國際優秀的工業自動化領導品牌。

本公司生產之減速機種類多元，包含賽驅樂減速機、低背隙行星減速機、齒輪減速機、遊星式減速機、蝸輪減速機、無段變速機、攪拌機系列等等，其工業品上的應用更是跨足不同產業，從CNC自動化、汙水處理廠、造紙廠、機械手臂、半導體及到化工廠等等…。為了滿足客戶各項傳動需求，我們尚提供客製化技術，為客戶量身打造一套屬於自己的產品，為客戶節省更多測試及人力成本。

我們具有性能卓越的獨家技術、不斷研發的專利產品，同時還有完善的售前/後服務，才能讓本公司於眾多製造廠商中脫穎而出。

服務

經過半世紀的努力，我們的客戶已超過40個國家，為因應海外市場龐大的業務量及秉持服務品質不縮水的精神，我們已在海外增設多個據點，提供給客戶更即時性的服務。

品質

因為品質的堅持是我們最重要的信念，所以本公司引進最新型、最先進的技術及機器，生產的每樣產品從原料到成品皆須歷經30道以上的檢驗關卡，我們希望透過最嚴謹的製造流程，來確保品質的無虞，並致力通過ISO9001及ISO14001的認證。除證實我們對於品質與自我的要求外，更帶領我們達到積極追求的目標 - 「提供高效率且環境友善的產品」，為環境永續更盡一份心力。

研發

本公司憑藉著永續經營、鍥而不捨的研發精神，不斷吸納專業人才、研發新技術，並努力拓銷至國際市場(韓國、日本、東南亞、澳洲、美國及歐洲等四十多個國家)，歡迎您來體驗中國變速所帶給您的傳動新感受。

www.varitron.com.tw
www.c-var.com

台灣 中國變速工程股份有限公司
Varitron Engineering (Taiwan) Co., Ltd.

台灣新北市五股區中興路一段171巷45號
No.45, Ln.171, Sec.1, Zhongxing Rd.,
Wugu Dist., New Taipei City, Taiwan
TEL:+886-2-2988-9598
FAX:+886-2-2985-0998
EMAIL:sales@c-var.com

