

# Cycloidal Drive Reducer

## 賽驅樂減速機

The VARITRON® Cycloidal Drive unique cycloid gear design has advantages superior to common involute tooth gears system speed reducers. VARITRON®'s Cycloidal Drive matchless performance and reliability is that 67% of the reduction components are in contact at all times, compared to helical gear and planetary gear designs that use only limited tooth contact. Unlike geared designs, the Varitron®'s reduction components operate in compression rather than shear, which results to withstand shock loads exceeding ratings of 500%, provide exceptional performance, reliability and long life in most severe applications.

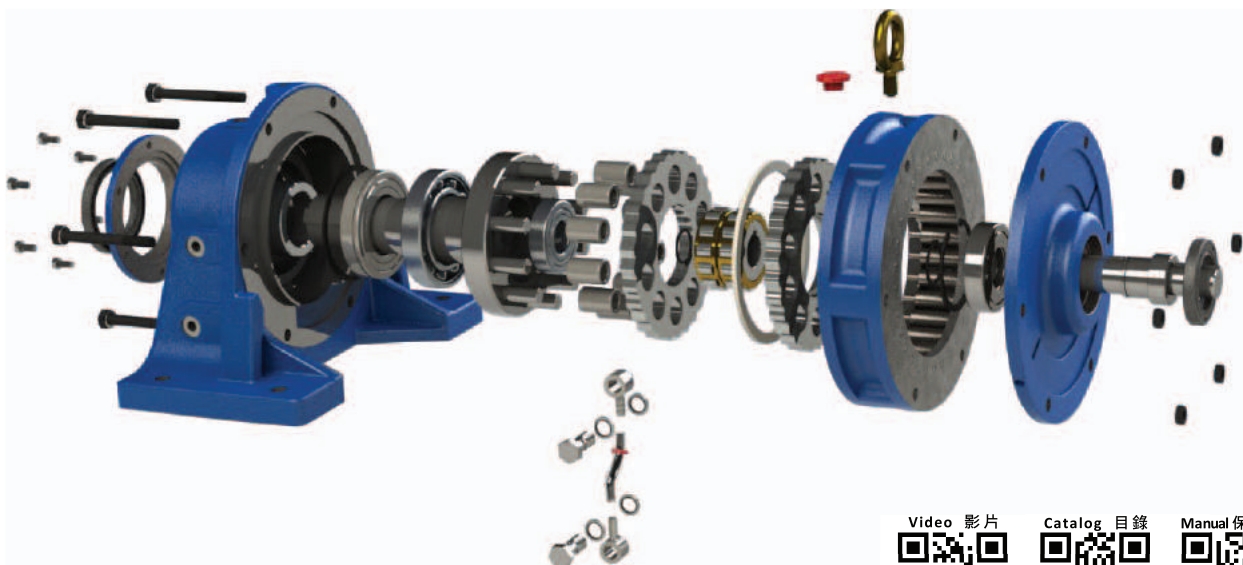
中國變速工程VARITRON賽驅樂減速機設計超越市場上同軸減速機。中國變速工程獨特擺線齒輪有卓越圓弧齒型設計，是漸開線齒輪無法超越的設計。賽驅樂減速機的擺線齒輪實現了多齒嚙合高達67%，避免斷齒的可能性及超過500%的抗過載能力。賽驅樂減速機的特有嚙合原理提供了更高的效率及減少滑動和振動現象，高效率及壽命長不在遙不可及。



### The Cycloidal Drive Principle 操作原理

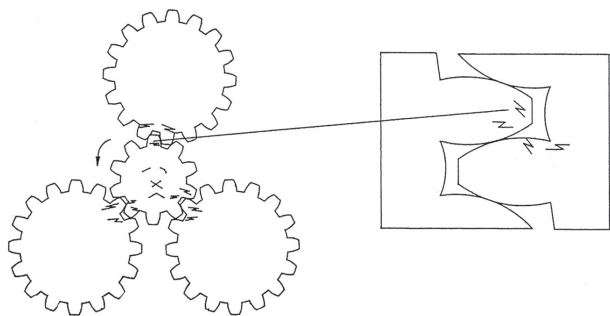
As the eccentric rotates, it rolls the two cycloid gears around the internal circumference of the ring gear housing. The resulting action is similar to that of a disc rolling around the inside of a ring. As the cycloid gears travel in a clockwise path around the ring gear, the gears themselves turn in a counter-clockwise direction around their own axes. The teeth of the cycloid gears engage successively with the pins of the fixed ring gear, thus producing a reverse rotation at reduced speed. The reduction ratio is determined by the number of cycloid teeth on the cycloid gears. There is at least 1 less tooth per cycloid gear than there are rollers in the ring gear housing which results in the reduction ratio being numerically equal to the number of teeth on the cycloid gears. Therefore for each complete revolution of the high speed shaft the cycloid gears move in the opposite direction by one tooth.

當高速軸帶動偏心軸轉動後，即使得擺線齒輪藉著針齒群進行行星式旋轉之運作。同時，針齒的數目，比在擺線輪上的擺線齒要多一個或兩個。此一齒輪的不同，使得擺線輪在出力軸的每一迴軸中，以一或兩個齒節距的速度繞其本身而自轉，且與入力軸旋轉的方向相反。此一擺線輪所獲之轉速，經由出力軸上的柱梢及柱梢套傳至出力軸上。因此，藉由此一擺線輪上的齒數或其一半齒數的減速比均可達到。

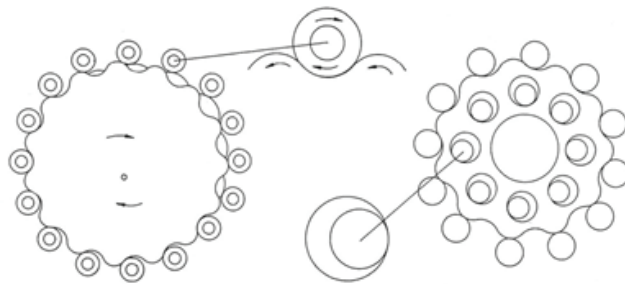


## Varitron Cycloidal Drive Design Advantage 賽驅樂減速機特長

Involute gear has slip contact with less contact ratio.  
所有的撞擊僅由一個或兩個齒面來承受，因此扭力的傳送，齒面容易發生磨損、斷裂及產生噪音等。



Varitron cycloidal drive has smooth rolling contact.  
負荷平均分佈於每一個擺線齒輪，且扭力的傳送完全採用滾動方式，不會有磨損及噪音產生。



### 堅固且壽命長

The gear tooth profile of the VARITRON Cycloidal Drive enables the sharing of the load by a number of teeth, thus not susceptible to tooth breakage. At least 66% of ring gear rollers and cycloid disc lobes share the shock load under compression. In addition, major torque transmission components inside the VARITRON Cycloidal Drive are made of 52100(JIS SUJ2) high carbon chromium bearing grade steel hardened to Rockwell Hardness of HRC 61~63 and with precision grinding. The end result is that VARITRON Cycloidal Drive are capable of withstanding intermittent shock load up to 500% of its catalog torque rating.

### 高效率

Rolling Contact-All major torque transmitting components roll ; they do not slide. Rolling motion contributes to minimal friction and high efficiency. Single stage efficiency approaches 93%, and double stage efficiency approaches 86%.

### 簡單維護

Lifetime grease lubrication or easy-to-replenish oil lubrication.

### 機殼

Standard gray cast iron(JIS FC25) iron provides rigid structural integrity. Optional ductile iron housing(JIS FCD45) available.

### 輸出軸

High Strength Low Alloy Steel(JIS SCM21) with oversized bearings for excellent overhung load capacity and outstanding performance.

### 雙唇油封

Keeps lubricant in; keeps dirt out. (for flange model 8165 and above double dual lips oil seal on output side)

### 側窗(Oil Lubricate Models)

For easy oil level and clarity reading. Installing side can assign on ordering. Markers also on the side window to show how much oil to fill.

### BREATHER FILLER CAP

Large oil filler hole. Oil cap also functions for pressure release purpose.

### 排水螺絲(Oil Lubricated Models)

Magnetic drain plugs design to prevent any steel dust from bearing or gear when wear in the oil. Drain plugs on double side for simple oil replacement.

### 堅固且壽命長

賽驅樂減速機的所有負載零件是滾動的嚙合原理，負荷平均分佈在至少三分之二以上的擺線齒面，有效的降低磨損及躁因產生。中國變速所生產的擺線輪選用進口的高碳軸承鋼(JIS SUJ2)加上特殊的熱處理工藝及研磨讓擺線齒輪擁有更高的機械壽命與最高500%的撞擊力。

### 高效率

賽驅樂減速機的所有負載零件是滾動的嚙合原理，負荷平均分佈給每一個擺線齒輪，減少磨損及噪音產生。單段平均效率93%，及二段型在86%以上。

### 保養輕鬆

VARITRON賽驅樂減速機添加高品質耐高溫黃油或耐高溫機油，保養容易可輕鬆自行添加或更換。

### 機座(機殼)

VARITRON賽驅樂減速機機身採用(JIS FC25)鑄鐵鑄造[高延展性球墨鑄鐵(JIS FCD45)可提供選擇]，提供產品穩固的支撐與精確的安裝。

### 出力軸

高韌度合金(JIS SCM21)出力軸搭配上加等級軸承，給予VARITRON賽驅樂減速機有更好程度的抗衝擊力和最高的效能輸出。

### 雙防塵油封

全系列產品都使用雙防塵油封，法蘭式8165系列以上產品更採用雙油封設計，確保減速機品質防油防水防汗。

### 油位鏡(機油型)

機身側面安裝透明顯示油位鏡與油位安全線，清楚顯示油量實際耗損與需要添加的容量。

### 透氣加油蓋

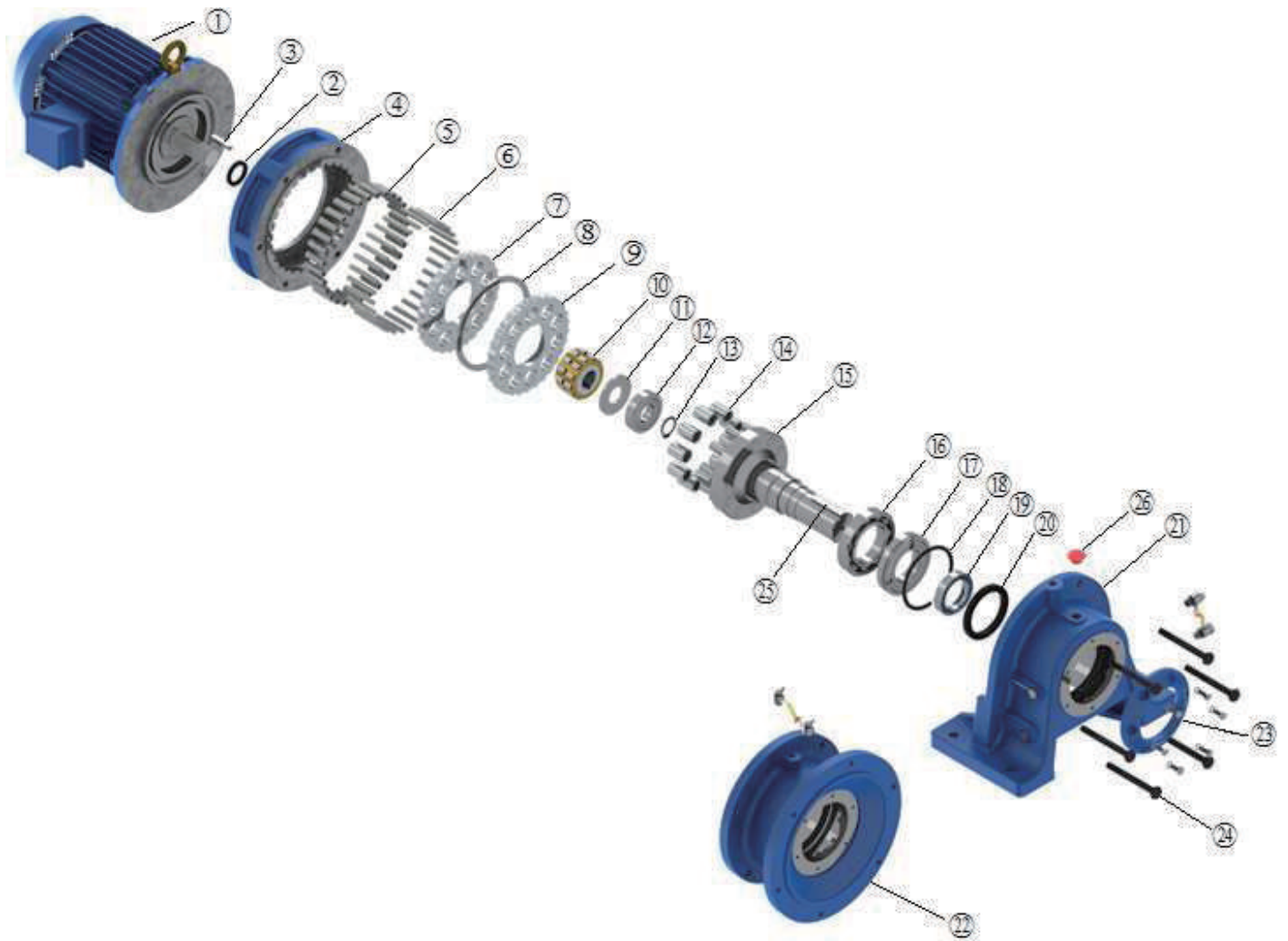
大口徑加油孔配上洩壓機油蓋，有效釋放運轉時所產生的壓力。

### 磁性卸油螺絲(機油型)

雙卸油孔設計，換油更輕鬆快速。磁性卸油螺絲可吸附機油中夾帶齒輪磨耗的鐵屑提高內部齒輪及軸承壽命。



Construction Drawing 構造圖



| Item<br>項次 | Component<br>零組件        | Item<br>項次 | Component<br>零組件              | Item<br>項次 | Component<br>零組件       |
|------------|-------------------------|------------|-------------------------------|------------|------------------------|
| 1          | Motor 馬達                | 10         | Eccentric Bearing 偏心軸承        | 19         | Collar 軸套              |
| 2          | Oil Seal 油封             | 11         | Spacer 端板                     | 20         | Oil Seal 油封            |
| 3          | Key 鍵                   | 12         | Bearing A 軸承 A                | 21         | H Type Housing 臥式本體    |
| 4          | Ring Gear Casing 環形齒輪殼  | 13         | Snap Ring 扣環                  | 22         | V Type Housing 立式本體    |
| 5          | Ring Gear Pins 環形齒輪銷    | 14         | Slow Speed Shaft Roller 輸出軸滾子 | 23         | Slow Speed End Cap 出力蓋 |
| 6          | Ring Gear Roller 環形齒輪滾子 | 15         | Output Speed Shaft 輸出軸        | 24         | Screw 螺絲               |
| 7          | Cycloid Disk Gear A 擺線盤 | 16         | Bearing B 軸承 B                | 25         | Key 鍵                  |
| 8          | Spacer Ring 間隔環         | 17         | Bearing C 軸承 C                | 26         | Oil Filler plug 通氣蓋    |
| 9          | Cycloid Disk Gear B 擺線盤 | 18         | Snap Ring 扣環                  |            |                        |

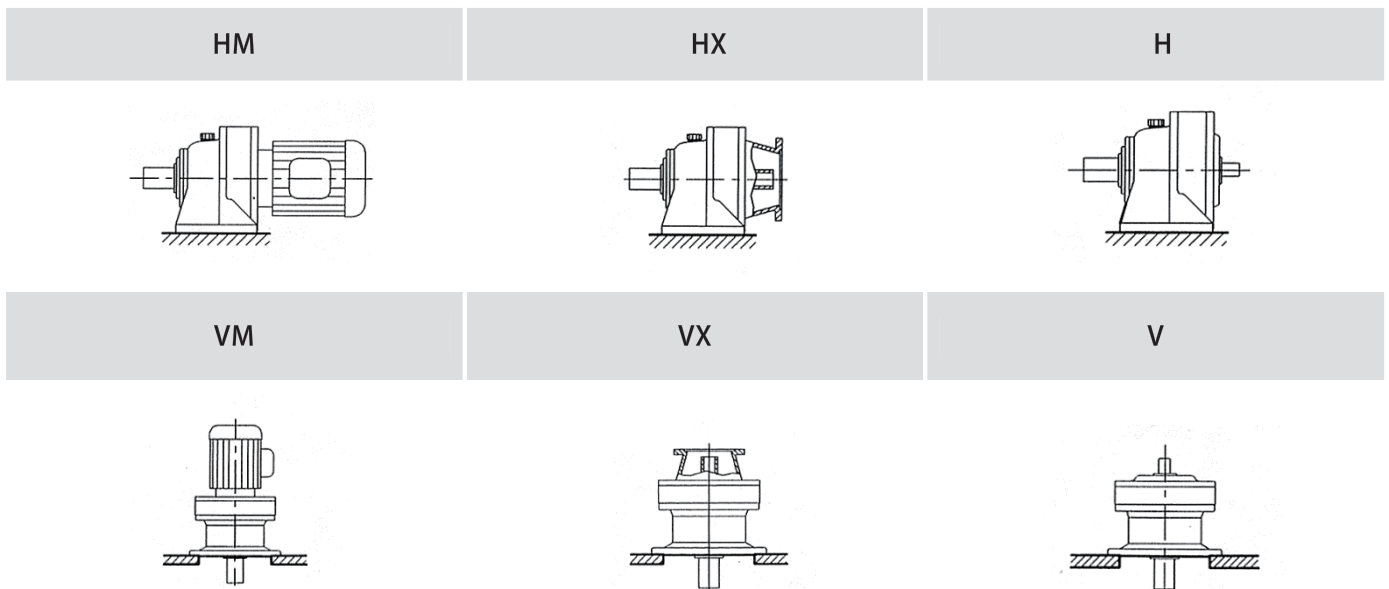
How to order 選型

**HM 1 - 8105 - 59 - B - M1 - T1**



|   |                              |   |  |
|---|------------------------------|---|--|
| ① | Model 型式                     | <b>HM:</b> Foot Mount Gearmotor<br><b>HX:</b> Foot Mount Reducer with IEC/NEMA Adaptor<br><b>H:</b> Foot Mount Reducer with Input Shaft<br><b>VM:</b> Flange Mount Gearmotor<br><b>VX:</b> Flange Mount Reducer with IEC/NEMA Adaptor<br><b>V:</b> Flange Mount Reducer with Input Shaft                      | 腳座附馬達型<br>腳座型附入力法蘭<br>腳座型附入力軸<br>法蘭附馬達型<br>法蘭型附入力法蘭<br>法蘭型附入力軸   |
| ② | Motor Horse Power 馬力         | 1,2,3,5,7½,10,15,20,25,30,⋯ Refer to page 5. 參考第 5 頁  |  |
| ③ | Frame Size 型號                | Single Stage 單段: 8105,8125,8135,8145,8165,8175,⋯ Refer to page 6.<br>Double Stage 雙段:8105DA,8125DA,8125DB,8135DA,⋯ 參考第 6 頁  |  |
| ④ | Ratio 減速比                    | 6,8,11,13,15,17,21,25,29,35,43,51,59,71,87,121,⋯ Refer to Page 7 頁  |  |
| ⑤ | Suffix 特殊 (Option 選配)        | <b>Empty if non</b> 無記號：無特殊<br><b>SV:</b> Servo Motor 伺服馬達<br><b>SP:</b> Single Phase Motor 單相馬達<br><b>TL:</b> Torque Limiter 扭力限制器<br><b>B:</b> With Brake 有剎車<br><b>W:</b> Outdoor 屋外型<br><b>EN:</b> Encoder 編碼器<br><b>AVM:</b> Speed Variator 無段變速機<br><b>R2:</b> Heavy radial &Ductile Casting 高效率軸承延展性鑄件 | <b>DC:</b> DC motor 直流馬達<br><b>AV:</b> Inverter Motor 變頻馬達<br><b>R1:</b> Heavy Radial 高效率軸承<br><b>Y:</b> Inch 英吋<br><b>F:</b> External Fan 獨立風扇<br><b>S:</b> Special 特殊<br><b>CS/CSS:</b> Agitator 攪拌機<br><b>EP:</b> IE3 Premium Efficiency IE3 超高效率馬達 |
| ⑥ | Operation Direction 安裝方向     | M1(Standard 標準),M2,M3,M4,M5,M6 Refer to Page 5. 參考第 5 頁   |  |
| ⑦ | Terminal Box Direction 電器盒方向 | T1 (Standard 標準), T2, T3, T4 Refer to Page 5. 參考第 5 頁   |  |

Model 型式 ①

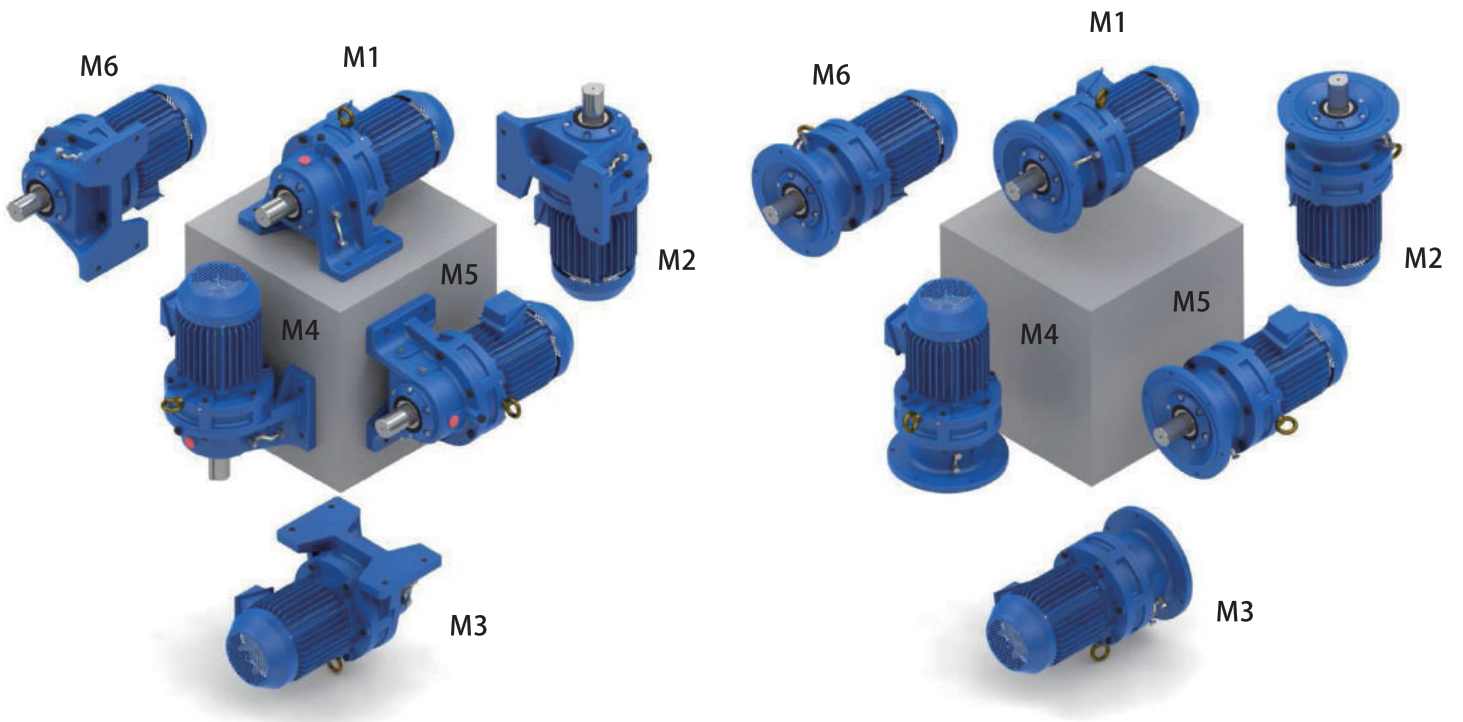


## Motor Horse Power 馬力 ②

|          |           |     |     |      |     |     |     |     |     |    |    |      |    |    |    |    |    |     |
|----------|-----------|-----|-----|------|-----|-----|-----|-----|-----|----|----|------|----|----|----|----|----|-----|
| 4 Pole 極 | Symbol 馬力 | 02  | 04  | 1    | 2   | 3   | 5   | 8   | 10  | 15 | 20 | 25   | 30 | 40 | 50 | 60 | 75 | 100 |
|          | kW        | 0.2 | 0.4 | 0.75 | 1.5 | 2.2 | 3.7 | 5.5 | 7.5 | 11 | 15 | 18.5 | 22 | 30 | 37 | 45 | 55 | 75  |
|          | HP        | 1/4 | 1/2 | 1    | 2   | 3   | 5   | 7.5 | 10  | 15 | 20 | 25   | 30 | 40 | 50 | 60 | 75 | 100 |

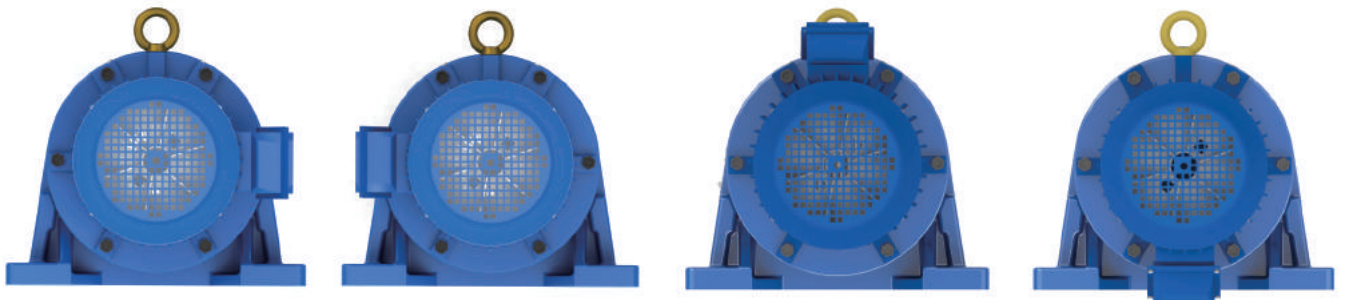
|          |           |      |     |     |     |     |     |     |     |      |     |     |     |     |     |      |      |      |      |
|----------|-----------|------|-----|-----|-----|-----|-----|-----|-----|------|-----|-----|-----|-----|-----|------|------|------|------|
| 6 Pole 極 | Symbol 馬力 | 16   | 26  | 36  | 56  | 86  | 106 | 156 | 206 | 256  | 306 | 406 | 506 | 606 | 756 | 1006 | 1256 | 1506 | 1756 |
|          | kW        | 0.75 | 1.5 | 2.2 | 3.7 | 5.5 | 7.5 | 11  | 15  | 18.5 | 22  | 30  | 37  | 45  | 55  | 75   | 90   | 110  | 132  |
|          | HP        | 1    | 2   | 3   | 5   | 7.5 | 10  | 15  | 20  | 25   | 30  | 40  | 50  | 60  | 75  | 100  | 125  | 150  | 175  |

## Operation Direction 安裝方向 ⑥



## Terminal Box Direction 電器盒方向 ⑦

|                  |    |    |    |
|------------------|----|----|----|
| T1 (Standard 標準) | T2 | T3 | T4 |
|------------------|----|----|----|





## | Frame Size 型號 ③

### | Single Stage 單段

|      |      |      |      |      |      |      |      |      |      |
|------|------|------|------|------|------|------|------|------|------|
| 8060 | 8070 | 8080 | 8090 | 8105 | 8125 | 8135 | 8145 | 8165 | 8175 |
| 8185 | 8195 | 8205 | 8215 | 8225 | 8235 | 8245 | 8255 | 8265 | 8275 |

### | Double Stage 雙段

| Frame Size<br>型號 | Output Side + Input Side<br>出力側 + 入力側 | Frame Size<br>型號 | Output Side + Input Side<br>出力側 + 入力側 |
|------------------|---------------------------------------|------------------|---------------------------------------|
| 8090DA           | 8090 + 8070                           | 8185DB           | 8185 + 8135                           |
| 8105DA           | 8105 + 8070                           | 8195DA           | 8195 + 8125                           |
| 8125DA           | 8125 + 8070                           | 8195DB           | 8195 + 8135                           |
| 8125DB           | 8125 + 8105                           | 8205DA           | 8205 + 8125                           |
| 8135DA           | 8135 + 8070                           | 8205DB           | 8205 + 8135                           |
| 8135DB           | 8135 + 8100                           | 8215DA           | 8215 + 8135                           |
| 8135DC           | 8135 + 8105                           | 8215DB           | 8215 + 8165                           |
| 8145DA           | 8145 + 8070                           | 8225DA           | 8225 + 8135                           |
| 8145DB           | 8145 + 8100                           | 8225DB           | 8225 + 8175                           |
| 8145DC           | 8145 + 8105                           | 8235DA           | 8235 + 8165                           |
| 8165DA           | 8165 + 8100                           | 8235DB           | 8235 + 8185                           |
| 8165DB           | 8165 + 8105                           | 8245DA           | 8245 + 8165                           |
| 8165DC           | 8165 + 8125                           | 8245DB           | 8245 + 8185                           |
| 8175DA           | 8175 + 8100                           | 8255DA           | 8255 + 8175                           |
| 8175DB           | 8175 + 8105                           | 8255DB           | 8255 + 8195                           |
| 8175DC           | 8175 + 8125                           | 8265DA           | 8265 + 8195                           |
| 8185DA           | 8185 + 8105                           | 8275DA           | 8275 + 8195                           |

※ Refer to selection table on page 7 to choose frame size. 型號選擇請參考 10 頁選擇表。

## | Model Photo 型式照片



# Reduction Ratio 減速比一覽表 ⑤

## Standard Single Stage Reduction Ratio 標準單段減速比

|   |   |    |    |    |    |    |    |    |    |    |    |    |    |    |
|---|---|----|----|----|----|----|----|----|----|----|----|----|----|----|
| 6 | 8 | 11 | 13 | 15 | 17 | 21 | 25 | 29 | 35 | 43 | 51 | 59 | 71 | 87 |
|---|---|----|----|----|----|----|----|----|----|----|----|----|----|----|

## Standard Double Stage Reduction Ratio 標準雙段減速比

|                 |                 |                 |                 |                 |                 |                 |                 |                 |                 |                 |                |                |                |                 |
|-----------------|-----------------|-----------------|-----------------|-----------------|-----------------|-----------------|-----------------|-----------------|-----------------|-----------------|----------------|----------------|----------------|-----------------|
| 104<br>(13x8)   | 121<br>(11x11)  | 143<br>(13x11)  | 165<br>(15x11)  | 195<br>(15x13)  | 231<br>(21x11)  | 273<br>(21x13)  | 319<br>(29x11)  | 377<br>(29x13)  | 473<br>(43x11)  | 559<br>(43x13)  | 649<br>(59x11) | 731<br>(43x17) | 841<br>(29x29) | 1003<br>(59x17) |
| 1247<br>(43x29) | 1479<br>(87x17) | 1849<br>(43x43) | 2065<br>(59x35) | 2537<br>(59x43) | 3045<br>(87x35) | 3481<br>(59x59) | 4437<br>(87x51) | 5133<br>(87x59) | 6177<br>(87x71) | 7569<br>(87x87) |                |                |                |                 |

## Optional Double Stage Reduction Ratio 其他雙段減速比

|                 |                 |                 |                 |                 |                 |                 |                 |                 |                 |                 |                 |                 |                 |                 |
|-----------------|-----------------|-----------------|-----------------|-----------------|-----------------|-----------------|-----------------|-----------------|-----------------|-----------------|-----------------|-----------------|-----------------|-----------------|
| 88<br>(11x8)    | 90<br>(15x6)    | 102<br>(17x6)   | 120<br>(15x8)   | 126<br>(21x6)   | 136<br>(17x8)   | 150<br>(25x6)   | 168<br>(21x8)   | 169<br>(13x13)  | 174<br>(29x6)   | 187<br>(17x11)  | 200<br>(25x8)   | 210<br>(35x6)   | 221<br>(17x13)  | 225<br>(15x15)  |
| 232<br>(29x8)   | 255<br>(17x15)  | 258<br>(43x6)   | 275<br>(25x11)  | 280<br>(35x8)   | 289<br>(17x17)  | 306<br>(51x6)   | 315<br>(21x15)  | 325<br>(25x13)  | 344<br>(43x8)   | 354<br>(59x6)   | 357<br>(21x17)  | 375<br>(25x15)  | 385<br>(35x11)  | 408<br>(51x8)   |
| 425<br>(25x17)  | 426<br>(71x6)   | 435<br>(29x15)  | 441<br>(21x21)  | 455<br>(35x13)  | 472<br>(59x8)   | 493<br>(29x17)  | 522<br>(87x6)   | 525<br>(35x15)  | 561<br>(51x11)  | 568<br>(71x8)   | 595<br>(35x17)  | 609<br>(29x21)  | 625<br>(25x25)  | 645<br>(43x15)  |
| 663<br>(51x13)  | 696<br>(87x8)   | 725<br>(29x25)  | 735<br>(35x21)  | 765<br>(51x15)  | 767<br>(59x13)  | 781<br>(71x11)  | 867<br>(51x17)  | 875<br>(35x25)  | 885<br>(59x15)  | 903<br>(43x21)  | 923<br>(71x13)  | 957<br>(87x11)  | 1015<br>(35x29) | 1065<br>(71x15) |
| 1071<br>(51x21) | 1075<br>(43x25) | 1131<br>(87x13) | 1207<br>(71x17) | 1225<br>(35x35) | 1239<br>(59x21) | 1275<br>(51x25) | 1305<br>(87x15) | 1475<br>(59x25) | 1491<br>(71x21) | 1505<br>(43x35) | 1711<br>(59x29) | 1775<br>(71x25) | 1785<br>(51x35) | 1827<br>(87x21) |
| 2059<br>(71x29) | 2175<br>(87x25) | 2193<br>(51x43) | 2485<br>(71x35) | 2523<br>(87x29) | 2601<br>(51x51) | 3009<br>(59x51) | 3053<br>(71x43) | 3621<br>(71x51) | 3741<br>(87x43) | 4189<br>(71x59) | 5041<br>(71x71) |                 |                 |                 |

## Three Stage Reduction Ratio 三段減速比

|                      |                      |                      |                      |                      |                      |                      |                      |                      |                      |
|----------------------|----------------------|----------------------|----------------------|----------------------|----------------------|----------------------|----------------------|----------------------|----------------------|
| 9251<br>(29x29x11)   | 10115<br>(35x17x17)  | 10266<br>(59x29 x6)  | 10527<br>(87x11x11)  | 11033<br>(59x17x11)  | 11094<br>(43x43x6)   | 11165<br>(35x29x11)  | 12390<br>(59x35x6)   | 12427<br>(43x17x17)  | 13475<br>(35x35x11)  |
| 13717<br>(43x29x11)  | 14297<br>(29x29x17)  | 15138<br>(87x29x6)   | 15222<br>(59x43x6)   | 16269<br>(87x17x11)  | 16555<br>(43x35x11)  | 17051<br>(59x17x17)  | 17255<br>(35x29x17)  | 18270<br>(87x35x6)   | 18821<br>(59x29x11)  |
| 20339<br>(43x43x11)  | 20825<br>(35x35x17)  | 21199<br>(43x29x17)  | 22446<br>(87x43x6)   | 22715<br>(59x35x11)  | 24389<br>(29x29x29)  | 25143<br>(87x17x17)  | 25585<br>(43x35x17)  | 27753<br>(87x29x11)  | 27907<br>(59x43x11)  |
| 29087<br>(59x29x17)  | 29435<br>(35x29x29)  | 31433<br>(43x43x17)  | 33495<br>(87x35x11)  | 35105<br>(59x35x17)  | 35525<br>(35x35x29)  | 36163<br>(43x29x29)  | 38291<br>(59x59x11)  | 41151<br>(87x43x11)  | 42875<br>(35x35x35)  |
| 42891<br>(87x29x17)  | 43129<br>(59x43x17)  | 43645<br>(43x35x29)  | 49619<br>(59x29x29)  | 51765<br>(87x35x17)  | 52675<br>(43x35x35)  | 53621<br>(43x43x29)  | 56463<br>(87x59x11)  | 59177<br>(59x59x17)  | 59885<br>(59x35x29)  |
| 63597<br>(87x43x17)  | 64715<br>(43x43x35)  | 72275<br>(59x35x35)  | 73167<br>(87x29x29)  | 73573<br>(59x43x29)  | 79507<br>(43x43x43)  | 83259<br>(87x87x11)  | 87261<br>(87x59x17)  | 88305<br>(59x43x35)  | 88795<br>(59x43x35)  |
| 100949<br>(59x59x29) | 106575<br>(87x35x35) | 108489<br>(87x43x29) | 109091<br>(59x43x43) | 121835<br>(59x59x35) | 128673<br>(87x87x17) | 130935<br>(87x43x35) | 148857<br>(87x59x29) | 149863<br>(87x43x43) | 160863<br>(87x43x43) |
| 179655<br>(87x59x35) | 205379<br>(59x59x59) | 219501<br>(87x87x29) | 220719<br>(87x59x43) | 264915<br>(87x87x35) | 302847<br>(87x59x59) | 325467<br>(87x87x43) | 446571<br>(87x87x59) | 658503<br>(87x87x87) |                      |

## Reduction Ratio Available 型號減速比

| Frame Size<br>型號 | Reduction Ratio Available 型號減速比 |   |    |    |    |    |    |    |    |    |    |    |    |    |    |
|------------------|---------------------------------|---|----|----|----|----|----|----|----|----|----|----|----|----|----|
|                  | 6                               | 8 | 11 | 13 | 15 | 17 | 21 | 25 | 29 | 35 | 43 | 51 | 59 | 71 | 87 |
| 8060             | ●                               | ● | ●  | ●  | ●  | ●  | ●  | ●  | ●  | ●  | ●  | ●  | ●  | ●  | ●  |
| 8070             | ●                               | ● | ●  | ●  | ●  | ●  | ●  | ●  | ●  | ●  | ●  | ●  | ●  | ●  | ●  |
| 8080             | ●                               | ● | ●  | ●  | ●  | ●  | ●  | ●  | ●  | ●  | ●  | ●  | ●  | ●  | ●  |
| 8090             | ●                               | ● | ●  | ●  | ●  | ●  | ●  | ●  | ●  | ●  | ●  | ●  | ●  | ●  | ●  |
| 8105             | ●                               | ● | ●  | ●  | ●  | ●  | ●  | ●  | ●  | ●  | ●  | ●  | ●  | ●  | ●  |
| 8125             | ●                               | ● | ●  | ●  | ●  | ●  | ●  | ●  | ●  | ●  | ●  | ●  | ●  | ●  | ●  |
| 8135             | ●                               | ● | ●  | ●  | ●  | ●  | ●  | ●  | ●  | ●  | ●  | ●  | ●  | ●  | ●  |
| 8145             | ●                               | ● | ●  | ●  | ●  | ●  | ●  | ●  | ●  | ●  | ●  | ●  | ●  | ●  | ●  |
| 8165             | ●                               | ● | ●  | ●  | ●  | ●  | ●  | ●  | ●  | ●  | ●  | ●  | ●  | ●  | ●  |
| 8175             | ●                               | ● | ●  | ●  | ●  | ●  | ●  | ●  | ●  | ●  | ●  | ●  | ●  | ●  | ●  |
| 8185             |                                 |   | ●  | ●  | ●  | ●  | ●  | ●  | ●  | ●  | ●  | ●  | ●  | ●  | ●  |
| 8195             |                                 |   | ●  | ●  | ●  | ●  | ●  | ●  | ●  | ●  | ●  | ●  | ●  | ●  | ●  |
| 8205             |                                 |   | ●  |    | ●  |    | ●  |    | ●  |    | ●  |    | ●  |    | ●  |
| 8215             |                                 |   | ●  |    | ●  |    | ●  |    | ●  |    | ●  |    | ●  |    | ●  |
| 8225             |                                 |   | ●  |    | ●  |    | ●  |    | ●  |    | ●  |    | ●  |    | ●  |
| 8235             |                                 |   | ●  |    | ●  |    | ●  |    | ●  |    | ●  |    | ●  |    | ●  |
| 8245             |                                 |   | ●  |    | ●  |    | ●  |    | ●  |    | ●  |    | ●  |    | ●  |
| 8255             |                                 |   | ●  |    | ●  |    | ●  |    | ●  |    | ●  |    | ●  |    | ●  |
| 8265             |                                 |   | ●  |    | ●  |    | ●  |    | ●  |    | ●  |    | ●  |    | ●  |
| 8275             |                                 |   |    |    |    |    |    |    | ●  |    | ●  |    | ●  |    | ●  |

# Recommended Load Classifications

Varitron Cycloidal Drive Reducers are designed and manufactured based upon uniform loading conditions. A ten hours daily service is equivalent to AGMA service factor of 1.0. If the application requires longer daily service, the service factor must be applied to the loading conditions for proper drive selection.

| Loading Conditions<br>Daily Operation | U<br>Uniform Loading |      | M<br>Moderate Shock |      | H<br>Heavy Shock |      |
|---------------------------------------|----------------------|------|---------------------|------|------------------|------|
|                                       | VARITRON®            | AGMA | VARITRON®           | AGMA | VARITRON®        | AGMA |
|                                       | ~ 3 Hours            | 0.80 | 0.80                | 1.00 | 1.00             | 1.35 |
| ~ 10 Hours                            | 1.00                 | 1.00 | 1.20                | 1.25 | 1.50             | 1.75 |
| ~ 24 Hours                            | 1.20                 | 1.25 | 1.32                | 1.50 | 1.60             | 2.00 |

| Application                               | Load | Application                     | Load | Application                          | Load | Application                             | Load |
|---|------|---------------------------------|------|--------------------------------------|------|---|------|
| Agitators                                 |      | Elevators                       |      | Slab conveyor                        | H    | Pulp machine reel                       | M    |
| Pure liquids                              | U    | Bucket, uniform load            | U    | Small waste-conveyor-belt            | U    | Stock chests                            | M    |
| Liquids and solids                        | M    | Bucket, heavy load              | M    | Small waste-conveyor-chain           | M    | Suction roll                            | U    |
| Variable-density liquids                  | M    | Bucket, cont.                   | U    | Sorting table                        | M    | Washers & thickeners                    | M    |
| Blowers                                   |      | Centrifugal discharge           | U    | Tipple hoist conveyor                | M    | Winders                                 | U    |
| Centrifugal                               | U    | Escalators                      | U    | Tipple hoist drive                   | M    | *Printing Presses                       |      |
| Lobe                                      | M    | Freight                         | M    | Transfer conveyors                   | M    | <b>Pullers</b>                          |      |
| Vane                                      | U    | Gravity discharge               | U    | Transfer rolls                       | M    | Barge haul                              | H    |
| Brewing and Distilling                    |      | **Extruders (Plastics)          |      | Tray drive                           | M    | <b>Pumps</b>                            |      |
| Bottling machinery                        | U    | Blow molders                    | M    | Trimmer feed                         | M    | Centrifugal                             | U    |
| Brew kettles, cont. duty                  | U    | Coating                         | U    | Waste conveyor                       | M    | Proportioning                           | M    |
| Cookers, cont. duty                       | U    | Film                            | U    | <b>Machine Tools</b>                 |      | Reciprocating single acting, 3 or       |      |
| Mash tubs, cont. duty                     | U    | Pipe                            | U    | Bending roll                         | M    | More cylinders                          | M    |
| Scale hopper, frequent starts             | M    | Pre-plasticizers                | M    | Punch press-gear driven              | H    | Double acting, 2 or more                | M    |
|   |      |                                 |      |                                      |      | cylinders                               |      |
| Can Filling Machines                      | U    | Rods                            | U    | Plate planers                        | H    | Rotary-gear type                        | U    |
| *Cane Knives                              | M    | Sheet                           | U    | Tapping machine                      | H    | Rotary-lobe, vane                       | U    |
| Car Dumpers                               | H    | Tubing                          | U    | <b>Other Machine Tools</b>           |      | <b>Rubber &amp; Plastics Industries</b> |      |
| Car Pullers                               | M    | <b>Fans</b>                     |      | Main drives                          | M    | **Crackers                              | H    |
| Clarifiers                                | U    | Centrifugal                     | U    | Auxiliary drives                     | U    | **Laboratory equipment                  | M    |
| Classifiers                               | M    | Induced draft                   | U    | <b>Metal Mills</b>                   |      | **Mixing mills                          | H    |
| Clay Working Machinery                    |      | forced draft                    | M    | Draw bench carriage &                | M    | **Refiners                              | M    |
| Brick press                               | H    | Large (mine, etc.)              | M    | Main drive                           | M    | **Rubber calendars                      | M    |
| Briquette machine                         | H    | Large (industrial)              | M    | Forming machines                     | H    | **Rubber mill(2 on line)                | M    |
| Clay working machinery                    | M    | Light (small diameter)          | U    | Slitters                             | M    | **Rubber mill(3 on line)                | U    |
| Pug mill                                  | M    | <b>Feeders</b>                  |      | <b>Table Conveyors-non-reversing</b> |      | **Sheeter                               | M    |
| Compressors                               |      | Apron                           | M    | Group drives                         | M    | **Tubers & strainers                    | M    |
| Centrifugal                               | U    | Belt                            | M    | Individual drives                    | H    | **Warming mills                         | M    |
| Lobe                                      | M    | Disc                            | U    | Wire drawing & flattening            | M    | Sand Muller                             | M    |
|   |      |                                 |      | machine                              |      |   |      |
| Reciprocating, multi-cylinder             | M    | Reciprocating                   | H    | Wire winding machine                 | M    | <b>Screens</b>                          |      |
| Reciprocating, single-cylinder            | H    | Screw                           | M    | <b>Mills, Rotary Type</b>            |      | Air washing                             | U    |
| Conveyors - Uniformly Loaded or Fed       |      | <b>Food Industry</b>            |      | **Ball                               | M    | Rotary-stone or gravel                  | M    |
| Apron                                     | U    | Beet slicer                     | M    | **Cement kilns                       | M    | Traveling water intake                  | U    |
| Assembly                                  | U    | Cereal cooker                   | U    | **Dryers & coolers                   | M    | <b>Sewage Disposal Equipment</b>        |      |
| Belt                                      | U    | Dough mixer                     | M    | Kilns                                | M    | Bar screens                             | U    |
| Bucket                                    | U    | Meat grinders                   | M    | **Pebble                             | M    | Chemical feeders                        | U    |
| Chain                                     | U    | Generators(not welding)         | U    | **Rod , plain & wedge bar            | M    | Collectors, circuline or                | U    |
|   |      |                                 |      |                                      |      | straightline                            |      |
| Flight                                    | U    | <b>Hammer Mills</b>             | H    | Tumbling barrels                     | H    | Dewatering screws                       | M    |
| Oven                                      | U    | Hoists                          |      | <b>Mixers</b>                        |      | Grit collectors                         | U    |
| Screw                                     | U    | Heavy duty                      | H    | Concrete mixers, cont.               | M    | Scum breakers                           | M    |
| Conveyors - Heavy Duty, Not Uniformly Fed |      | Medium duty                     | M    | Concrete mixers, intermittent        | M    | Slow or rapid mixers                    | M    |
| Apron                                     | M    | Skip hoist                      | M    | Constant density                     | U    | Sludge collectors                       | U    |
| Assembly                                  | M    | <b>Laundry Washers</b>          |      | Variable density                     | M    | Thickeners                              | M    |
| Belt                                      | M    | Reversing                       | M    | <b>Oil Industry</b>                  |      | Vacuum filters                          | M    |
| Bucket                                    | M    | <b>Laundry Tumblers</b>         | M    | Chillers                             | M    | <b>Slab Pushers</b>                     | M    |
| Chain                                     | M    | Line Shaft                      |      | *Oil well pumping                    | M    | * Steering Gear                         |      |
| Flight                                    | M    | Driving processing equipment    | M    | Paraffin filter press                | M    | Stokers                                 | U    |
| Live roll oven                            | U    | Light                           | U    | <b>Paper Mills</b>                   |      | <b>Sugar Industry</b>                   |      |
| Reciprocating                             | H    | Other line shafts               | U    | Agitators(mixers)                    | M    | **Cane knives                           | M    |
| Screw                                     | M    | <b>Lumber Industry</b>          |      | Barker-auxiliaries-hydraulic         | M    | **Crushers                              | M    |
| Shaker                                    | H    | Barkers-hydraulic mechanical    | H    | Barker-mechanical                    | M    | **Mills                                 | H    |
| Crusher                                   |      | Burner conveyor                 | M    | Barking drum                         | H    | <b>Textile Industry</b>                 |      |
| Ore                                       | H    | Chain saw & drag saw            | H    | Beater & pulper                      | M    | Batchers                                | M    |
| Stone                                     | H    | Chain transfer                  | H    | Bleacher                             | U    | Calendars                               | M    |
| **Sugar                                   | M    | Crane way transfer              | H    | Calendars                            | M    | Cards                                   | M    |
| Dredges                                   |      | De-barking drum                 | H    | Calendars-super                      | H    | Dry cans.                               | M    |
| Cable reels                               | M    | Edger feed                      | M    | Converting machine, except           |      | Dryers                                  | M    |
| Conveyors                                 | M    | Gang feed                       | H    | Cutters, platers                     | M    | Dyeing machinery                        | M    |
| Cutter head drives                        | H    | Green chain                     | M    | Conveyors                            | U    | Knitting machines                       | M    |
| Jig drives                                | H    | Live rolls                      | H    | Couch                                | M    | Mangles                                 | M    |
| Maneuvering winches                       | M    | Log haul-locline -              | H    | Cutters-platers                      | H    | Nappers                                 | M    |
| Pumps                                     | M    | Log haul-well type              | H    | Cylinders                            | M    | Pads                                    | M    |
| Screen drive                              | H    | Log turning device              | H    | Dryers                               | M    | Slashers                                | M    |
| Stackers                                  | M    | Main log conveyor               | H    | Felt stretcher                       | M    | Soapers                                 | M    |
| Utility winches                           | M    | Off bearing rolls               | M    | Felt whipper                         | H    | Spinners                                | M    |
| * Dry Dock Cranes                         | H    | Planer feed chains              | M    | Jordans                              | H    | Tenter frames                           | M    |
|   |      | Planer floor chains             | M    | Log haul                             | H    | Washers                                 | M    |
|   |      | Planer tilting hoist            | M    | Presses                              | U    | Winders                                 | M    |
|   |      | Re-saw merry- go-round conveyor | M    |                                      |      |   |      |
|   |      | Roll cases                      | H    |                                      |      |   |      |

Remarks: \* Refer to factory. \*\* To be selected on basis of 24hr. service only.

※ Table above contains reference value. Names and mechanical characteristics of the actual machine may differ from the table above.



# 負載係數與負載類別

實驅樂減速機是為了在一定的負載下，以 10 小時連續運轉而設計製造(AGMA = 1)。標準機種可使用於一般大部份的運作，幾乎不會發生問題，但是當機械運作的方式改變時，請依據機械使用負載條件，設計時就必須將負載係數考慮進去。

| 負載方式<br>運轉時間  | U<br>均衡負載         |      | M<br>中等衝擊負載       |      | H<br>種衝擊負載        |      |
|---------------|-------------------|------|-------------------|------|-------------------|------|
|               | VARITRON®<br>中國變速 | AGMA | VARITRON®<br>中國變速 | AGMA | VARITRON®<br>中國變速 | AGMA |
|               | ~ 3 Hours 小時      | 0.80 | 0.80              | 1.00 | 1.00              | 1.35 |
| ~ 10 Hours 小時 | 1.00              | 1.00 | 1.20              | 1.25 | 1.50              | 1.75 |
| ~ 24 Hours 小時 | 1.20              | 1.25 | 1.32              | 1.50 | 1.60              | 2.00 |

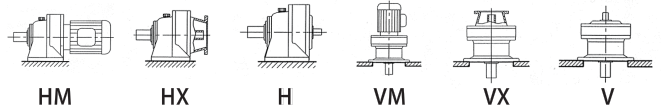
| 應用方式         | 負載 | 應用方式            | 負載 | 應用方式         | 負載 | 應用方式            | 負載 |
|--------------|----|-----------------|----|--------------|----|-----------------|----|
| 攪拌機          | U  | 昇降機             | U  | 平板輸送機        | H  | 搖晃式紙漿機          | M  |
| 純液體          | U  | 吊桶式-定負載         | U  | 小型廢料輸送機-皮帶   | U  | 進料機             | M  |
| 液體與固體        | M  | 吊桶式-重負載         | M  | 小型廢料輸送機-鏈條   | M  | 吸子輥子            | U  |
| 液體-可變密度      | M  | 吊桶式-連續負載        | M  | 分類用          | M  | 洗滌機與調稠機         | M  |
| 鼓風機          | U  | 離心排除器           | U  | 傾斜起重輸送機      | M  | 捲線機             | U  |
| 離心式          | U  | 手扶梯             | U  | 傾斜起重驅動用      | M  | *印刷機            |    |
| 輪葉瓣          | M  | 貨物用             | M  | 傳送輸送機        | M  | 拔取器             |    |
| 輪葉           | U  | 重力排除器           | U  | 傳送輥子         | M  | 大負載拔取器          | H  |
| 釀造與蒸餾機       | U  | **擠製機(塑膠)       | M  | 托盤驅動器        | M  | 泵浦              |    |
| 裝瓶機          | U  | 追模機             | M  | 修木機進給        | M  | 離心式             | U  |
| 釀造器-連續運轉     | U  | 表模              | U  | 廢料輸送機        | M  | 比例式             | M  |
| 烹調機-連續運轉     | U  | 薄模              | U  | 機械工具         | U  | 單向往復式, 3 或多缸    | M  |
| 釀啤酒桶-連續運轉    | U  | 管子(導管)          | U  | 彎曲輥子         | M  | 雙向, 2 或多缸       | M  |
| 過磅斗-啟動頻繁     | U  | 預增塑性劑           | U  | 衝壓機-齒輪驅動     | H  | 旋轉齒輪式           | U  |
| 罐裝機          | U  | 桿               | U  | 平刨床          | H  | 旋轉凸輪葉           | U  |
| *甘蔗切割機       | M  | 片               | U  | 功螺絲機械        | H  | 橡膠與塑膠工業         |    |
| 卸貨車          | H  | 管子              | U  | 其它機械工具       | U  | **破碎機           | H  |
| 拔取器          | M  | 風扇              | U  | 主驅動          | M  | **實驗室設備         | M  |
| 澄清器          | U  | 離心式             | U  | 輔助驅動         | U  | **混合磨粉機         | H  |
| 洗分機          | M  | 冷卻塔抽氣通風         | U  | 金屬加工廠        | U  | **精煉器           | M  |
| 黏土作業機械       | U  | 壓力抽氣通風          | M  | 牽引台車架與主驅動    | M  | **橡膠滾壓機         | M  |
| 壓磚機          | H  | 大型(礦坑...等)      | M  | 成型機          | H  | **橡膠磨粉機(線上 2 台) | M  |
| 煤磚機          | H  | 大型(工業型)         | M  | 開縫機          | M  | **橡膠磨粉機(線上 3 台) | U  |
| 黏土作業機械       | M  | 輕型(小直徑)         | U  | 桌型無迴轉輸送機     | U  | **薄片器           | M  |
| 攪拌機          | M  | 進給器             | U  | 整體驅動         | M  | **內胎機與濾器        | M  |
| 壓縮機          | U  | 護床式             | M  | 個別驅動         | H  | **熱型磨粉機         | M  |
| 離心式          | U  | 皮帶式             | M  | 線抽拉與矯平機      | M  | 砂漏碎機            | M  |
| 輪葉瓣          | M  | 盤式              | U  | 捲線機          | M  | 濾篩機             |    |
| 往復式, 多缸      | M  | 往復式             | H  | 旋轉型加工廠       | U  | 空氣清淨機           | U  |
| 往復式, 單缸      | H  | 螺旋式             | M  | **球型         | M  | 旋轉石或小砂礫         | M  |
| 輸送機-定量負載或進給  | U  | 食品工業            | U  | **水泥窯        | M  | 吸入移動式水流         | U  |
| 護床式          | U  | 甜菜切片機           | M  | **乾燥與冷卻機     | M  | 下水道污物有效處理設備     |    |
| 組合式          | U  | 食物烹調機           | U  | 窯            | M  | 桿狀濾師            | U  |
| 皮帶式          | U  | 生麵攪拌機           | M  | **多石的        | M  | 化學品進給器          | U  |
| 吊桶式          | U  | 碎肉機             | M  | **平桿與楔型桿     | M  | 集中, 環流, 直線式     | U  |
| 鏈條式          | U  | 發電機(無焊接)        | U  | 打磨滾筒         | H  | 螺旋反水流式          | M  |
| 梯板式          | U  | 鏈碎機             | H  | 攪拌機          | U  | 砂礫收集器           | U  |
| 爐式           | U  | 起重機             | U  | 混凝土攪拌機, 連續   | M  | 浮淨軋碎機           | M  |
| 螺旋式          | U  | 重負載             | H  | 混凝土攪拌機, 斷續   | M  | 低速或高速攪拌機        | U  |
| 輸送機-大功率未定量進給 | U  | 中等負載            | M  | 一定密度         | U  | 浮泥收集器           | M  |
| 護床式          | M  | 斷續負載            | M  | 可變密度         | M  | 調稠機             | M  |
| 組合式          | M  | 洗衣機             | M  | 石油業          |    | 真空過濾器           | M  |
| 皮帶式          | M  | 迴轉式             | M  | 冷卻裝置         | M  | 平板推進器           | M  |
| 吊桶式          | M  | 洗衣滾筒            | M  | 石蠟壓力過濾器      | M  | *轉向裝置           | M  |
| 鏈條式          | M  | 線軸              | M  | 旋轉窯          | M  | 加煤機             | U  |
| 梯板式          | M  | 驅動設備            | M  | 紙加工廠         |    | 製糖業             |    |
| 爐式           | U  | 輕負載             | U  | 攪拌器(混合機)     | M  | **甘蔗切割機         | M  |
| 往復式          | H  | 其它線軸            | U  | 剝皮機-液壓輔助     | M  | **軋碎機           | M  |
| 螺旋式          | M  | 木材工業            | U  | 剝皮機          | M  | **磨碎機           | H  |
| 搖動式          | H  | 液壓烘乾機           | H  | 鼓輪剝皮機        | H  | 紡織工業            |    |
| 軋碎機          | U  | 燃燒輸送機           | M  | 攪拌器與碎漿機      | M  | 配料器             | M  |
| 碎礦           | H  | 鏈鋸與拖鋸           | H  | 漂白機          | U  | 滾壓機             | M  |
| 碎石           | H  | 鏈條式傳送器          | H  | 滾壓機          | M  | 梳理機             | M  |
| **碎糖         | M  | 起重式傳送器          | H  | 大型滾壓機        | H  | 乾燥器             | M  |
| 挖泥機          | U  | 分離式烘乾筒          | H  | 轉向機械, 除了平板切割 | U  | 乾燥機             | M  |
| 捲索軸用         | M  | 整邊進給器           | M  | 機            | M  | 染色機械            | M  |
| 輸送機用         | M  | 成排整組進給器         | H  | 輸送機          | U  | 織布機             | M  |
| 銑刀頭驅動器       | H  | 生材輸送台           | M  | COUCH        | M  | 軋壓機             | M  |
| 選礦機驅動器       | H  | 活動輥子            | H  | 平板切割機        | H  | 起毛機             | M  |
| 控制絞車         | M  | 木材 haul-locline | H  | 滾筒機          | M  | 緩衝器             | M  |
| 泵            | M  | 木材 haul-well    | H  | 乾燥機          | M  | 長切鋸             | M  |
| 篩子驅動器        | H  | 木材車削設備          | H  | 拉膠機          | M  | 洗滌機             | M  |
| 堆積機          | M  | 主要木材輸送機         | H  | 打膠機          | H  | 紡織機             | M  |
| 公用絞車         | M  | 停止軸承輥子          | M  | JORDANS      | H  | 張布機架            | M  |
| *乾船塢起動機      | H  | 刨床進給鏈條          | M  | 大型拉伸機        | H  | 洗衣機             | M  |
|              |    | 刨床底板鏈條          | M  | 擠壓機          | U  | 捲繞機             | M  |
|              |    | 刨床傾斜吊車          | M  |              |    |                 |    |
|              |    | 圓型輸送帶式鋸子        | M  |              |    |                 |    |
|              |    | 旋轉箱             | H  |              |    |                 |    |

記號: \*參考係數 \*\*以 24 小時運轉為基礎  
 ※ 上述為通用選項, 依不同機械設計會有差異。



# Service Factor 安全係數表

|                  |                |      |     |      |      |
|------------------|----------------|------|-----|------|------|
| 0.4 kW<br>1/2 HP | Hz             | 50Hz |     | 60Hz |      |
|                  | Pole           | 4    | 6   | 4    | 6    |
|                  | n <sub>1</sub> | 1450 | 980 | 1750 | 1165 |



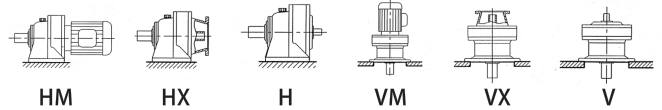
| Model 型式                     |                 |            | 50Hz                               |                                   |       |                                  |      |         | 60Hz                               |                                   |       |                                  |      |         | Dimension Page 頁數① |    |    |    |    |    |
|------------------------------|-----------------|------------|------------------------------------|-----------------------------------|-------|----------------------------------|------|---------|------------------------------------|-----------------------------------|-------|----------------------------------|------|---------|--------------------|----|----|----|----|----|
| Input Capacity Symbol 馬力編號 ② | Frame Size 型號 ③ | Ratio 速比 ④ | Output Speed 轉速 n <sub>2</sub> rpm | Output Torque 扭矩 T <sub>out</sub> |       | Allowable Radial Load 應許徑向負載 Pro |      | SF 安全係數 | Output Speed 轉速 n <sub>2</sub> rpm | Output Torque 扭矩 T <sub>out</sub> |       | Allowable Radial Load 應許徑向負載 Pro |      | SF 安全係數 | HM                 | HX | H  | VM | VX | V  |
|                              |                 |            |                                    | N.m                               | Kgf.m | N                                | rpm  |         |                                    | N.m                               | Kgf.m | N                                | kgf  |         |                    |    |    |    |    |    |
| 05                           | 8070            | 6          | 242                                | 15.0                              | 1.53  | 1370                             | 140  | 1.02    | 292                                | 12.4                              | 1.27  | 1290                             | 132  | 1.02    | -                  | -  | -  | -  | -  | -  |
|                              | 8080            |            |                                    |                                   |       | 1920                             | 196  | 1.95    |                                    |                                   |       | 1810                             | 184  | 1.95    | -                  | -  | -  | -  | -  |    |
|                              | 8090            |            |                                    |                                   |       | 2860                             | 292  | 2.88    |                                    |                                   |       | 2690                             | 275  | 2.88    | 47                 | 55 | 61 | 64 | 72 | 78 |
| 05                           | 8070            | 8          | 181                                | 20.0                              | 2.04  | 1510                             | 154  | 1.02    | 219                                | 16.6                              | 1.69  | 1430                             | 145  | 1.02    | -                  | -  | -  | -  | -  | -  |
|                              | 8080            |            |                                    |                                   |       | 2080                             | 212  | 1.95    |                                    |                                   |       | 1960                             | 200  | 1.95    | -                  | -  | -  | -  | -  |    |
|                              | 8090            |            |                                    |                                   |       | 3190                             | 326  | 2.88    |                                    |                                   |       | 3000                             | 306  | 2.88    | 47                 | 55 | 61 | 64 | 72 | 78 |
| 05                           | 8070            | 11         | 132                                | 27.5                              | 2.81  | 1680                             | 171  | 1.02    | 159                                | 22.8                              | 2.33  | 1590                             | 162  | 1.02    | -                  | -  | -  | -  | -  | -  |
|                              | 8080            |            |                                    |                                   |       | 2300                             | 234  | 1.95    |                                    |                                   |       | 2160                             | 220  | 1.95    | -                  | -  | -  | -  | -  |    |
|                              | 8090            |            |                                    |                                   |       | 3340                             | 340  | 2.88    |                                    |                                   |       | 3340                             | 340  | 2.88    | 47                 | 55 | 61 | 64 | 72 | 78 |
| 05                           | 8070            | 13         | 112                                | 32.5                              | 3.32  | 1770                             | 180  | 1.02    | 135                                | 27.0                              | 2.75  | 1680                             | 171  | 1.02    | -                  | -  | -  | -  | -  | -  |
|                              | 8080            |            |                                    |                                   |       | 2470                             | 251  | 1.48    |                                    |                                   |       | 2320                             | 237  | 1.95    | -                  | -  | -  | -  | -  |    |
|                              | 8090            |            |                                    |                                   |       | 3340                             | 340  | 2.88    |                                    |                                   |       | 3340                             | 340  | 2.88    | 47                 | 55 | 61 | 64 | 72 | 78 |
| 05                           | 8070            | 15         | 96.7                               | 37.5                              | 3.83  | 1770                             | 180  | 1.02    | 117                                | 31.1                              | 3.17  | 1680                             | 171  | 1.02    | -                  | -  | -  | -  | -  | -  |
|                              | 8080            |            |                                    |                                   |       | 2550                             | 260  | 1.95    |                                    |                                   |       | 2400                             | 245  | 1.95    | -                  | -  | -  | -  | -  |    |
|                              | 8090            |            |                                    |                                   |       | 3340                             | 340  | 2.88    |                                    |                                   |       | 3340                             | 340  | 2.88    | 47                 | 55 | 61 | 64 | 72 | 78 |
| 05                           | 8070            | 17         | 85.3                               | 42.5                              | 4.34  | 1770                             | 180  | 1.02    | 103                                | 35.3                              | 3.59  | 1770                             | 180  | 1.02    | -                  | -  | -  | -  | -  | -  |
|                              | 8080            |            |                                    |                                   |       | 2560                             | 261  | 1.95    |                                    |                                   |       | 2510                             | 256  | 1.95    | -                  | -  | -  | -  | -  |    |
|                              | 8090            |            |                                    |                                   |       | 3340                             | 340  | 2.88    |                                    |                                   |       | 3340                             | 340  | 2.88    | 47                 | 55 | 61 | 64 | 72 | 78 |
| 05                           | 8080            | 21         | 69.0                               | 52.6                              | 5.36  | 2560                             | 261  | 1.38    | 83.3                               | 43.5                              | 4.44  | 2450                             | 250  | 1.38    | -                  | -  | -  | -  | -  | -  |
|                              | 8090            |            |                                    |                                   |       | 3340                             | 340  | 1.90    |                                    |                                   |       | 3340                             | 340  | 1.90    | 47                 | 55 | 61 | 64 | 72 | 78 |
|                              | 8080            |            |                                    |                                   |       | 2560                             | 261  | 1.19    |                                    |                                   |       | 2520                             | 256  | 1.19    | -                  | -  | -  | 64 | -  | -  |
| 05                           | 8090            | 25         | 58.0                               | 62.6                              | 6.38  | 3340                             | 340  | 2.17    | 70.0                               | 51.8                              | 5.28  | 3340                             | 340  | 2.17    | 47                 | 55 | 61 | 64 | 72 | 78 |
|                              | 8080            |            |                                    |                                   |       | 2560                             | 261  | 1.17    |                                    |                                   |       | 2560                             | 261  | 1.17    | -                  | -  | -  | -  | -  |    |
|                              | 8090            |            |                                    |                                   |       | 3340                             | 340  | 1.96    |                                    |                                   |       | 3340                             | 340  | 1.96    | 47                 | 55 | 61 | 64 | 72 | 78 |
| 05                           | 8080            | 29         | 50.0                               | 72.6                              | 7.40  | 2560                             | 261  | 1.17    | 60.3                               | 60.1                              | 6.13  | 2560                             | 261  | 1.17    | -                  | -  | -  | -  | -  | -  |
|                              | 8090            |            |                                    |                                   |       | 3340                             | 340  | 1.90    |                                    |                                   |       | 3340                             | 340  | 1.90    | 47                 | 55 | 61 | 64 | 72 | 78 |
|                              | 8080            |            |                                    |                                   |       | 2560                             | 261  | 0.82    |                                    |                                   |       | 2560                             | 261  | 0.93    | -                  | -  | -  | -  | -  |    |
| 05                           | 8090            | 35         | 41.4                               | 87.6                              | 8.93  | 3340                             | 340  | 1.90    | 50.0                               | 72.6                              | 7.40  | 3340                             | 340  | 1.90    | 47                 | 55 | 61 | 64 | 72 | 78 |
|                              | 8105            |            |                                    |                                   |       | 5400                             | 550  | 3.00    |                                    |                                   |       | 5400                             | 550  | 3.00    | 47                 | 55 | 61 | 64 | 72 | 78 |
|                              | 8090            |            |                                    |                                   |       | 3340                             | 340  | 1.51    |                                    |                                   |       | 3340                             | 340  | 1.51    | 47                 | 55 | 61 | 64 | 72 | 78 |
| 05                           | 8105            | 43         | 33.7                               | 108                               | 11.0  | 5400                             | 550  | 2.70    | 40.7                               | 89.2                              | 9.09  | 5400                             | 550  | 2.70    | 47                 | 55 | 61 | 64 | 72 | 78 |
|                              | 8090            |            |                                    |                                   |       | 3320                             | 339  | 1.02    |                                    |                                   |       | 3340                             | 340  | 1.06    | 47                 | 55 | 61 | 64 | 72 | 78 |
|                              | 8105            |            |                                    |                                   |       | 5400                             | 550  | 1.94    |                                    |                                   |       | 5400                             | 550  | 1.94    | 47                 | 55 | 61 | 64 | 72 | 78 |
| 05                           | 8090            | 51         | 28.4                               | 128                               | 13.0  | 3300                             | 336  | 0.84    | 34.3                               | 106                               | 10.8  | 3340                             | 340  | 0.93    | 47                 | 55 | 61 | 64 | 72 | 78 |
|                              | 8105            |            |                                    |                                   |       | 5400                             | 550  | 1.70    |                                    |                                   |       | 5400                             | 550  | 1.77    | 47                 | 55 | 61 | 64 | 72 | 78 |
|                              | 8125            |            |                                    |                                   |       | 9810                             | 1000 | 3.42    |                                    |                                   |       | 9810                             | 1000 | 3.60    | 47                 | 55 | 61 | 64 | 72 | 78 |
| 05                           | 8105            | 59         | 24.6                               | 148                               | 15.1  | 5400                             | 550  | 1.27    | 29.7                               | 122                               | 12.5  | 5400                             | 550  | 1.09    | 47                 | 55 | 61 | 64 | 72 | 78 |
|                              | 8125            |            |                                    |                                   |       | 9810                             | 1000 | 2.85    |                                    |                                   |       | 9810                             | 1000 | 2.85    | 47                 | 55 | 61 | 64 | 72 | 78 |
|                              | 8105            |            |                                    |                                   |       | 5400                             | 550  | 1.26    |                                    |                                   |       | 5400                             | 550  | 1.41    | 47                 | 55 | 61 | 64 | 72 | 78 |
| 05                           | 8125            | 87         | 16.7                               | 218                               | 22.2  | 9810                             | 1000 | 2.58    | 20.1                               | 180                               | 18.4  | 9810                             | 1000 | 2.83    | 47                 | 55 | 61 | 64 | 72 | 78 |
|                              | 8105            |            |                                    |                                   |       | 5400                             | 550  | 1.07    |                                    |                                   |       | 5400                             | 550  | 1.07    | 51                 | 57 | 62 | 68 | 74 | 79 |
|                              | 8125DB          |            |                                    |                                   |       | 9810                             | 1000 | 2.55    |                                    |                                   |       | 9810                             | 1000 | 3.08    | 51                 | 57 | 62 | 68 | 74 | 79 |
| 05                           | 8105DA          | 104        | 13.9                               | 247                               | 25.1  | 5400                             | 550  | 1.07    | 16.8                               | 204                               | 20.8  | 5400                             | 550  | 1.07    | 51                 | 57 | 62 | 68 | 74 | 79 |
|                              | 8125DB          |            |                                    |                                   |       | 9810                             | 1000 | 2.17    |                                    |                                   |       | 9810                             | 1000 | 2.62    | 51                 | 57 | 62 | 68 | 74 | 79 |
|                              | 8135DB          |            |                                    |                                   |       | 14700                            | 1500 | 2.72    |                                    |                                   |       | 14700                            | 1500 | 3.28    | 51                 | 57 | 62 | 68 | 74 | 79 |
| 05                           | 8105DA          | 121        | 12.0                               | 287                               | 29.2  | 5400                             | 550  | 0.88    | 14.5                               | 238                               | 24.2  | 5400                             | 550  | 1.07    | 51                 | 57 | 62 | 68 | 74 | 79 |
|                              | 8125DA          |            |                                    |                                   |       | 9810                             | 1000 | 1.07    |                                    |                                   |       | 9810                             | 1000 | 1.07    | 51                 | 57 | 62 | 68 | 74 | 79 |
|                              | 8125DB          |            |                                    |                                   |       | 9810                             | 1000 | 1.86    |                                    |                                   |       | 9810                             | 1000 | 2.24    | 51                 | 57 | 62 | 68 | 74 | 79 |
| 05                           | 8135DB          | 143        | 10.1                               | 339                               | 34.6  | 14700                            | 1500 | 2.77    | 12.2                               | 281                               | 28.6  | 14700                            | 1500 | 3.35    | 51                 | 57 | 62 | 68 | 74 | 79 |
|                              | 8125DA          |            |                                    |                                   |       | 9810                             | 1000 | 1.07    |                                    |                                   |       | 9810                             | 1000 | 1.07    | 51                 | 57 | 62 | 68 | 74 | 79 |
|                              | 8125DB          |            |                                    |                                   |       | 9810                             | 1000 | 1.61    |                                    |                                   |       | 9810                             | 1000 | 1.94    | 51                 | 57 | 62 | 68 | 74 | 79 |
| 05                           | 8135DB          | 165        | 8.79                               | 391                               | 39.9  | 14700                            | 1500 | 2.40    | 10.6                               | 324                               | 33.0  | 14700                            | 1500 | 2.90    | 51                 | 57 | 62 | 68 | 74 | 79 |

\* Frame sizes in Blue are the recommended models for 24 hours/day with uniform load. 均勻負載下，減速機連續使用 24 小時，建議使用標註藍色型號或更大型號。

\* For 8070、8080 please contact Varitron or your sales personal. 若需型號 8070、8080 請洽中國變速。

# Service Factor 安全係數表

|                  |                |      |     |      |      |
|------------------|----------------|------|-----|------|------|
| 0.4 kW<br>1/2 HP | Hz             | 50Hz |     | 60Hz |      |
|                  | Pole           | 4    | 6   | 4    | 6    |
|                  | n <sub>1</sub> | 1450 | 980 | 1750 | 1165 |



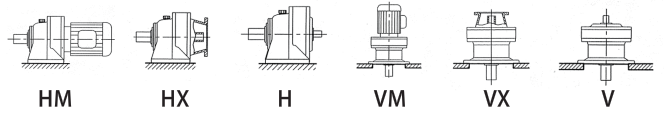
| Model 型式                      |                 | 50Hz       |                                    |                                   |       |                                  |      | 60Hz    |                                    |                                   |       |                                  |       | Dimension Page 頁數① |    |    |    |    |    |    |      |      |     |       |      |      |
|-------------------------------|-----------------|------------|------------------------------------|-----------------------------------|-------|----------------------------------|------|---------|------------------------------------|-----------------------------------|-------|----------------------------------|-------|--------------------|----|----|----|----|----|----|------|------|-----|-------|------|------|
| Input Capacity Symbol 馬力 編號 ② | Frame Size 型號 ③ | Ratio 速比 ④ | Output Speed 轉速 n <sub>2</sub> rpm | Output Torque 扭矩 T <sub>out</sub> |       | Allowable Radial Load 應許徑向負載 Pro |      | SF 安全係數 | Output Speed 轉速 n <sub>2</sub> rpm | Output Torque 扭矩 T <sub>out</sub> |       | Allowable Radial Load 應許徑向負載 Pro |       | SF 安全係數            | HM | HX | H  | VM | VX | V  |      |      |     |       |      |      |
|                               |                 |            |                                    | N.m                               | Kgf.m | N                                | kgf  |         |                                    | N.m                               | Kgf.m | N                                | kgf   |                    |    |    |    |    |    |    |      |      |     |       |      |      |
|                               |                 |            |                                    |                                   |       |                                  |      |         |                                    |                                   |       |                                  |       |                    |    |    |    |    |    |    |      |      |     |       |      |      |
| 05                            | 8125DA          | 195        | 7.44                               | 462                               | 47.1  | 9810                             | 1000 | 1.14    | 8.97                               | 383                               | 39.1  | 9810                             | 1000  | 1.07               | 51 | 57 | 62 | 68 | 74 | 79 |      |      |     |       |      |      |
|                               | 8125DB          |            |                                    |                                   |       | 9810                             | 1000 |         |                                    |                                   |       | 1.36                             | 9810  |                    |    |    |    |    |    |    | 1000 | 1.64 |     |       |      |      |
|                               | 8135DB          |            |                                    |                                   |       | 14700                            | 1500 |         |                                    |                                   |       | 2.03                             | 14700 |                    |    |    |    |    |    |    | 1500 | 2.45 |     |       |      |      |
| 05                            | 8145DB          | 231        | 6.28                               | 548                               | 55.8  | 16000                            | 1630 | 2.94    | 7.58                               | 454                               | 46.3  | 16000                            | 1630  | 3.54               | 51 | 57 | 62 | 68 | 74 | 79 |      |      |     |       |      |      |
|                               | 8125DA          |            |                                    |                                   |       | 9810                             | 1000 |         |                                    |                                   |       | 1.07                             | 9810  |                    |    |    |    |    |    |    | 1000 | 1.07 |     |       |      |      |
|                               | 8125DB          |            |                                    |                                   |       | 9810                             | 1000 |         |                                    |                                   |       | 1.15                             | 9810  |                    |    |    |    |    |    |    | 1000 | 1.39 |     |       |      |      |
| 05                            | 8135DB          | 273        | 5.31                               | 647                               | 66.0  | 14700                            | 1500 | 1.07    | 6.41                               | 536                               | 54.7  | 14700                            | 1500  | 1.07               | 51 | 57 | 62 | 68 | 74 | 79 |      |      |     |       |      |      |
|                               | 8145DB          |            |                                    |                                   |       | 16000                            | 1630 |         |                                    |                                   |       | 2.07                             | 16000 |                    |    |    |    |    |    |    | 1630 | 2.49 |     |       |      |      |
|                               | 8165DB          |            |                                    |                                   |       | 22100                            | 2250 |         |                                    |                                   |       | 2.71                             | 22100 |                    |    |    |    |    |    |    | 2250 | 3.27 |     |       |      |      |
| 05                            | 8125DA          | 319        | 4.55                               | 756                               | 77.1  | 9810                             | 1000 | 0.83    | 5.49                               | 627                               | 63.9  | 9810                             | 1000  | 1.01               | 51 | 57 | 62 | 68 | 74 | 79 |      |      |     |       |      |      |
|                               | 8135DA          |            |                                    |                                   |       | 14700                            | 1500 |         |                                    |                                   |       | 1.07                             | 14700 |                    |    |    |    |    |    |    | 1500 | 1.07 |     |       |      |      |
|                               | 8135DB          |            |                                    |                                   |       | 14700                            | 1500 |         |                                    |                                   |       | 1.24                             | 14700 |                    |    |    |    |    |    |    | 1500 | 1.50 |     |       |      |      |
| 05                            | 8145DB          | 377        | 3.85                               | 894                               | 91.1  | 16000                            | 1630 | 1.81    | 4.64                               | 741                               | 75.5  | 16000                            | 1630  | 2.19               | 51 | 57 | 62 | 68 | 74 | 79 |      |      |     |       |      |      |
|                               | 8165DA          |            |                                    |                                   |       | 22100                            | 2250 |         |                                    |                                   |       | 2.78                             | 22100 |                    |    |    |    |    |    |    | 2250 | 3.35 |     |       |      |      |
|                               | 8145DA          |            |                                    |                                   |       | 16000                            | 1630 |         |                                    |                                   |       | 1.07                             | 16000 |                    |    |    |    |    |    |    | 1630 | 1.07 |     |       |      |      |
| 05                            | 8145DB          | 473        | 3.07                               | 1120                              | 114   | 16000                            | 1630 | 1.07    | 3.70                               | 929                               | 94.7  | 16000                            | 1630  | 1.07               | 51 | 57 | 62 | 68 | 74 | 79 |      |      |     |       |      |      |
|                               | 8165DA          |            |                                    |                                   |       | 22100                            | 2250 |         |                                    |                                   |       | 1.87                             | 22100 |                    |    |    |    |    |    |    | 2250 | 2.26 |     |       |      |      |
|                               | 8175DA          |            |                                    |                                   |       | 29500                            | 3010 |         |                                    |                                   |       | 2.81                             | 29500 |                    |    |    |    |    |    |    | 3010 | 3.39 |     |       |      |      |
| 05                            | 8145DA          | 493        | 2.94                               | 1170                              | 119   | 16000                            | 1630 | 1.02    | 3.55                               | 969                               | 98.8  | 16000                            | 1630  | 1.02               | 51 | 57 | 62 | 68 | 74 | 79 |      |      |     |       |      |      |
|                               | 8145DB          |            |                                    |                                   |       | 16000                            | 1630 |         |                                    |                                   |       | 1.17                             | 16000 |                    |    |    |    |    |    |    | 1630 | 1.41 |     |       |      |      |
|                               | 8165DA          |            |                                    |                                   |       | 22100                            | 2250 |         |                                    |                                   |       | 1.79                             | 22100 |                    |    |    |    |    |    |    | 2250 | 2.17 |     |       |      |      |
| 05                            | 8175DA          | 559        | 2.59                               | 1330                              | 135   | 29500                            | 3010 | 2.69    | 3.13                               | 1100                              | 112   | 29500                            | 3010  | 3.25               | 51 | 57 | 62 | 68 | 74 | 79 |      |      |     |       |      |      |
|                               | 8145DA          |            |                                    |                                   |       | 15900                            | 1620 |         |                                    |                                   |       | 1.03                             | 16000 |                    |    |    |    |    |    |    | 1630 | 1.07 |     |       |      |      |
|                               | 8145DB          |            |                                    |                                   |       | 15900                            | 1620 |         |                                    |                                   |       | 1.03                             | 16000 |                    |    |    |    |    |    |    | 1630 | 1.25 |     |       |      |      |
| 05                            | 8165DA          | 649        | 2.23                               | 1540                              | 157   | 22100                            | 2250 | 1.58    | 2.70                               | 1280                              | 130   | 22100                            | 2250  | 1.91               | 51 | 57 | 62 | 68 | 74 | 79 |      |      |     |       |      |      |
|                               | 8175DA          |            |                                    |                                   |       | 29500                            | 3010 |         |                                    |                                   |       | 2.38                             | 29500 |                    |    |    |    |    |    |    | 3010 | 2.87 |     |       |      |      |
|                               | 8145DA          |            |                                    |                                   |       | 16000                            | 1630 |         |                                    |                                   |       | 0.89                             | 16000 |                    |    |    |    |    |    |    | 1630 | 1.07 |     |       |      |      |
| 05                            | 8165DA          | 731        | 1.98                               | 1730                              | 177   | 22100                            | 2250 | 1.36    | 2.39                               | 1440                              | 146   | 22100                            | 2250  | 1.65               | 51 | 57 | 62 | 68 | 74 | 79 |      |      |     |       |      |      |
|                               | 8175DA          |            |                                    |                                   |       | 29500                            | 3010 |         |                                    |                                   |       | 1.82                             | 29500 |                    |    |    |    |    |    |    | 3010 | 2.19 |     |       |      |      |
|                               | 8165DA          |            |                                    |                                   |       | 22100                            | 2250 |         |                                    |                                   |       | 1.21                             | 22100 |                    |    |    |    |    |    |    | 2250 | 1.46 |     |       |      |      |
| 05                            | 8175DA          | 841        | 1.72                               | 1990                              | 203   | 22100                            | 2250 | 1.05    | 2.08                               | 1650                              | 168   | 22100                            | 2250  | 1.27               | 51 | 57 | 62 | 68 | 74 | 79 |      |      |     |       |      |      |
|                               | 8165DA          |            |                                    |                                   |       | 29500                            | 3010 |         |                                    |                                   |       | 1.58                             | 29500 |                    |    |    |    |    |    |    | 3010 | 1.91 |     |       |      |      |
|                               | 8175DA          |            |                                    |                                   |       | 22100                            | 2250 |         |                                    |                                   |       | 0.88                             | 22100 |                    |    |    |    |    |    |    | 2250 | 1.07 |     |       |      |      |
| 05                            | 8175DA          | 1003       | 1.45                               | 2380                              | 242   | 29500                            | 3010 | 1.06    | 1.74                               | 1970                              | 201   | 29500                            | 3010  | 1.60               | 51 | 57 | 62 | 68 | 74 | 79 |      |      |     |       |      |      |
|                               | 8165DA          |            |                                    |                                   |       | 22100                            | 2250 |         |                                    |                                   |       | 0.88                             | 22100 |                    |    |    |    |    |    |    | 2250 | 1.07 |     |       |      |      |
|                               | 8175DA          |            |                                    |                                   |       | 29500                            | 3010 |         |                                    |                                   |       | 1.06                             | 29500 |                    |    |    |    |    |    |    | 3010 | 1.60 |     |       |      |      |
| 05                            | 8165DA          | 1247       | 1.16                               | 2100                              | 214   | 22100                            | 2250 | *       | 1.40                               | 2100                              | 214   | 22100                            | 2250  | *                  | 51 | 57 | 62 | 68 | 74 | 79 |      |      |     |       |      |      |
|                               | 8175DA          |            |                                    |                                   |       | 2960                             | 301  |         |                                    |                                   |       | 29500                            | 3010  |                    |    |    |    |    |    |    | 1.07 | 2450 | 250 | 29500 | 3010 | 1.29 |
|                               | 8165DA          |            |                                    |                                   |       | 2050                             | 209  |         |                                    |                                   |       | 21800                            | 2220  |                    |    |    |    |    |    |    | *    | 2050 | 209 | 21800 | 2220 | *    |
| 05                            | 8175DA          | 1479       | 0.980                              | 3510                              | 357   | 29500                            | 3010 | 0.90    | 1.18                               | 2910                              | 296   | 29500                            | 3010  | 1.08               | 51 | 57 | 62 | 68 | 74 | 79 |      |      |     |       |      |      |
|                               | 8165DA          |            |                                    |                                   |       | 2050                             | 209  |         |                                    |                                   |       | 21800                            | 2220  |                    |    |    |    |    |    |    | *    | 2050 | 209 | 21800 | 2220 | *    |
|                               | 8175DA          |            |                                    |                                   |       | 3510                             | 357  |         |                                    |                                   |       | 29500                            | 3010  |                    |    |    |    |    |    |    | 0.90 | 2910 | 296 | 29500 | 3010 | 1.08 |

※ Frame sizes in Blue are the recommended models for 24 hours/day with uniform load. 均勻負載下，減速機連續使用 24 小時，建議使用標註藍色型號或更大型號。



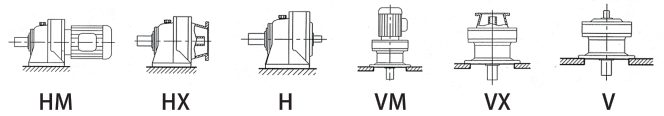
## Service Factor 安全係數表

|                  |                |      |     |      |      |
|------------------|----------------|------|-----|------|------|
| 0.4 kW<br>1/2 HP | Hz             | 50Hz |     | 60Hz |      |
|                  | Pole           | 4    | 6   | 4    | 6    |
|                  | n <sub>1</sub> | 1450 | 980 | 1750 | 1165 |



| Model 型式                      |                 |            | 50Hz                               |                                   |       |                                  |      | 60Hz    |                                    |                                   |       |                                  | Dimension Page 頁數① |         |    |    |    |    |    |    |
|-------------------------------|-----------------|------------|------------------------------------|-----------------------------------|-------|----------------------------------|------|---------|------------------------------------|-----------------------------------|-------|----------------------------------|--------------------|---------|----|----|----|----|----|----|
| Input Capacity Symbol 馬力 編號 ② | Frame Size 型號 ③ | Ratio 速比 ④ | Output Speed 轉速 n <sub>2</sub> rpm | Output Torque 扭矩 T <sub>out</sub> |       | Allowable Radial Load 應許徑向負載 Pro |      | SF 安全係數 | Output Speed 轉速 n <sub>2</sub> rpm | Output Torque 扭矩 T <sub>out</sub> |       | Allowable Radial Load 應許徑向負載 Pro |                    | SF 安全係數 | HM | HX | H  | VM | VX | V  |
|                               |                 |            |                                    | N.m                               | Kgf.m | N                                | kgf  |         |                                    | N.m                               | Kgf.m | N                                | kgf                |         |    |    |    |    |    |    |
| 05                            | 8165DA          | 1849       | 0.784                              | 2100                              | 214   | 22100                            | 2250 | *       | 0.946                              | 2100                              | 214   | 22100                            | 2250               | *       | 51 | 57 | 62 | 68 | 74 | 79 |
|                               | 8175DA          |            |                                    | 3150                              | 321   | 29500                            | 3010 | *       |                                    | 3150                              | 321   | 29500                            | 3010               | *       | 51 | 57 | 62 | 68 | 74 | 79 |
|                               | 8185DA          |            |                                    | 4380                              | 447   | 41700                            | 4250 | 0.93    |                                    | 3630                              | 370   | 41700                            | 4250               | 1.12    | 51 | -  | 62 | 68 | -  | 80 |
| 05                            | 8175DA          | 2065       | 0.702                              | 3150                              | 321   | 29500                            | 3010 | *       | 0.847                              | 3150                              | 321   | 29500                            | 3010               | *       | 51 | 57 | 62 | 68 | 74 | 79 |
|                               | 8185DA          |            |                                    | 4050                              | 413   | 41700                            | 4250 | *       |                                    | 4050                              | 413   | 41700                            | 4250               | *       | 51 | -  | 62 | 68 | -  | 80 |
| 05                            | 8175DA          | 2537       | 0.572                              | 3150                              | 321   | 29500                            | 3010 | *       | 0.690                              | 3150                              | 321   | 29500                            | 3010               | *       | 51 | 57 | 62 | 68 | 74 | 79 |
|                               | 8185DA          |            |                                    | 6020                              | 613   | 41200                            | 4200 | 0.83    |                                    | 4980                              | 508   | 41600                            | 4240               | 1.00    | 51 | -  | 62 | 68 | -  | 80 |
| 05                            | 8185DA          | 3045       | 0.476                              | 5000                              | 510   | 41700                            | 4250 | *       | 0.575                              | 5000                              | 510   | 41700                            | 4250               | *       | 51 | -  | 62 | 68 | -  | 80 |
| 05                            | 8185DA          | 3481       | 0.417                              | 5000                              | 510   | 41600                            | 4240 | *       | 0.503                              | 5000                              | 510   | 41600                            | 4240               | *       | 51 | -  | 62 | 68 | -  | 80 |
| 05                            | 8185DA          | 4437       | 0.327                              | 5000                              | 510   | 41700                            | 4250 | *       | 0.394                              | 5000                              | 510   | 41700                            | 4250               | *       | 51 | -  | 62 | 68 | -  | 80 |
| 05                            | 8185DA          | 5133       | 0.282                              | 5000                              | 510   | 41700                            | 4250 | *       | 0.341                              | 5000                              | 510   | 41700                            | 4250               | *       | 51 | -  | 62 | 68 | -  | 80 |
| 05                            | 8185DA          | 6177       | 0.235                              | 5000                              | 510   | 41700                            | 4250 | *       | 0.283                              | 5000                              | 510   | 41700                            | 4250               | *       | 51 | -  | 62 | 68 | -  | 80 |
| 05                            | 8185DA          | 7569       | 0.192                              | 5000                              | 510   | 41700                            | 4250 | *       | 0.231                              | 5000                              | 510   | 41700                            | 4250               | *       | 51 | -  | 62 | 68 | -  | 80 |

|                 |                |      |     |      |      |
|-----------------|----------------|------|-----|------|------|
| 0.75 kW<br>1 HP | Hz             | 50Hz |     | 60Hz |      |
|                 | Pole           | 4    | 6   | 4    | 6    |
|                 | n <sub>1</sub> | 1450 | 980 | 1750 | 1165 |

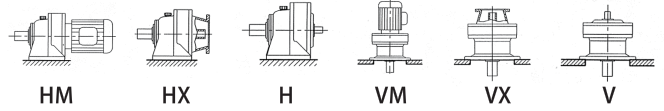


| Model 型式                      |                 |            | 50Hz                               |                                   |       |                                  |     | 60Hz    |                                    |                                   |       |                                  | Dimension Page 頁數① |         |    |    |    |    |    |    |
|-------------------------------|-----------------|------------|------------------------------------|-----------------------------------|-------|----------------------------------|-----|---------|------------------------------------|-----------------------------------|-------|----------------------------------|--------------------|---------|----|----|----|----|----|----|
| Input Capacity Symbol 馬力 編號 ② | Frame Size 型號 ③ | Ratio 速比 ④ | Output Speed 轉速 n <sub>2</sub> rpm | Output Torque 扭矩 T <sub>out</sub> |       | Allowable Radial Load 應許徑向負載 Pro |     | SF 安全係數 | Output Speed 轉速 n <sub>2</sub> rpm | Output Torque 扭矩 T <sub>out</sub> |       | Allowable Radial Load 應許徑向負載 Pro |                    | SF 安全係數 | HM | HX | H  | VM | VX | V  |
|                               |                 |            |                                    | N.m                               | Kgf.m | N                                | kgf |         |                                    | N.m                               | Kgf.m | N                                | kgf                |         |    |    |    |    |    |    |
| 1                             | 8080            | 6          | 242                                | 28.2                              | 2.87  | 1900                             | 193 | 1.04    | 292                                | 23.3                              | 2.38  | 1790                             | 182                | 1.04    | -  | -  | -  | -  | -  | -  |
|                               | 8090            |            |                                    |                                   |       | 2840                             | 290 | 2.03    |                                    |                                   |       | 2670                             | 273                | 2.03    | 47 | 55 | 61 | 64 | 72 | 78 |
| 1                             | 8080            | 8          | 181                                | 37.5                              | 3.83  | 2050                             | 209 | 1.04    | 219                                | 31.1                              | 3.17  | 1930                             | 197                | 1.04    | -  | -  | -  | -  | -  | -  |
|                               | 8090            |            |                                    |                                   |       | 3160                             | 322 | 2.03    |                                    |                                   |       | 2980                             | 304                | 2.03    | 47 | 55 | 61 | 64 | 72 | 78 |
| 1                             | 8080            | 11         | 132                                | 51.6                              | 5.26  | 2250                             | 230 | 1.04    | 159                                | 42.8                              | 4.36  | 2130                             | 217                | 1.04    | -  | -  | -  | -  | -  | -  |
|                               | 8090            |            |                                    |                                   |       | 3340                             | 340 | 2.03    |                                    |                                   |       | 3340                             | 340                | 2.03    | 47 | 55 | 61 | 64 | 72 | 78 |
| 1                             | 8080            | 13         | 112                                | 61.0                              | 5.22  | 2410                             | 246 | 1.04    | 135                                | 50.5                              | 5.15  | 2280                             | 233                | 1.04    | -  | -  | -  | -  | -  | -  |
|                               | 8090            |            |                                    |                                   |       | 3340                             | 340 | 2.03    |                                    |                                   |       | 3340                             | 340                | 2.03    | 47 | 55 | 61 | 64 | 72 | 78 |
| 1                             | 8080            | 15         | 96.7                               | 70.4                              | 7.18  | 2490                             | 253 | 1.04    | 117                                | 58.3                              | 5.95  | 2350                             | 240                | 1.04    | -  | -  | -  | -  | -  | -  |
|                               | 8090            |            |                                    |                                   |       | 3340                             | 340 | 2.03    |                                    |                                   |       | 3340                             | 340                | 2.03    | 47 | 55 | 61 | 64 | 72 | 78 |
| 1                             | 8080            | 17         | 85.3                               | 79.8                              | 8.13  | 2560                             | 261 | 1.04    | 103                                | 66.1                              | 6.74  | 2460                             | 251                | 1.04    | -  | -  | -  | -  | -  | -  |
|                               | 8090            |            |                                    |                                   |       | 3340                             | 340 | 2.03    |                                    |                                   |       | 3340                             | 340                | 1.53    | 47 | 55 | 61 | 64 | 72 | 78 |
| 1                             | 8105            | 21         | 69.0                               | 98.5                              | 10.0  | 5400                             | 550 | 2.65    | 83.3                               | 81.7                              | 8.32  | 5400                             | 550                | 2.03    | 47 | 55 | 61 | 64 | 72 | 78 |
|                               | 8090            |            |                                    |                                   |       | 3340                             | 340 | 2.01    |                                    |                                   |       | 3340                             | 340                | 1.01    | 47 | 55 | 61 | 64 | 72 | 78 |
| 1                             | 8105            | 25         | 58.0                               | 117                               | 12.0  | 5400                             | 550 | 2.53    | 70.0                               | 97.2                              | 9.91  | 5400                             | 550                | 2.57    | 47 | 55 | 61 | 64 | 72 | 78 |
|                               | 8090            |            |                                    |                                   |       | 3340                             | 340 | 1.15    |                                    |                                   |       | 3340                             | 340                | 1.15    | 47 | 55 | 61 | 64 | 72 | 78 |
| 1                             | 8090            | 29         | 50.0                               | 136                               | 13.9  | 3320                             | 338 | 1.05    | 60.3                               | 113                               | 11.5  | 3340                             | 340                | 1.05    | 47 | 55 | 61 | 64 | 72 | 78 |
|                               | 8105            |            |                                    |                                   |       | 5400                             | 550 | 2.12    |                                    |                                   |       | 5400                             | 550                | 2.12    | 47 | 55 | 61 | 64 | 72 | 78 |

※ Frame sizes in Blue are the recommended models for 24 hours/day with uniform load. 均勻負載下，減速機連續使用 24 小時，建議使用標註藍色型號或更大型號。  
 ※ For 8070、8080 please contact Varitron or your sales personal. 若需型號 8070、8080、8090 請洽中國變速。

# Service Factor 安全係數表

|                 |                |      |     |      |      |
|-----------------|----------------|------|-----|------|------|
| 0.75 kW<br>1 HP | Hz             | 50Hz |     | 60Hz |      |
|                 | Pole           | 4    | 6   | 4    | 6    |
|                 | n <sub>1</sub> | 1450 | 980 | 1750 | 1165 |



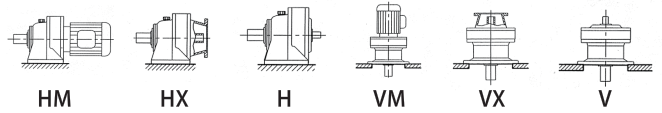
| Model 型式                     |                | 50Hz      |                                    |                                   |       |                                  |      |         | 60Hz                               |                                   |       |                                  |       |         |    | Dimension Page 頁數① |    |    |    |    |      |      |    |    |    |    |    |    |
|------------------------------|----------------|-----------|------------------------------------|-----------------------------------|-------|----------------------------------|------|---------|------------------------------------|-----------------------------------|-------|----------------------------------|-------|---------|----|--------------------|----|----|----|----|------|------|----|----|----|----|----|----|
| Input Capacity Symbol 馬力 編號② | Frame Size 型號③ | Ratio 速比④ | Output Speed 轉速 n <sub>2</sub> rpm | Output Torque 扭矩 T <sub>out</sub> |       | Allowable Radial Load 應許徑向負載 Pro |      | SF 安全係數 | Output Speed 轉速 n <sub>2</sub> rpm | Output Torque 扭矩 T <sub>out</sub> |       | Allowable Radial Load 應許徑向負載 Pro |       | SF 安全係數 | HM | HX                 | H  | VM | VX | V  |      |      |    |    |    |    |    |    |
|                              |                |           |                                    | N.m                               | Kgf.m | N                                | kgf  |         |                                    | N.m                               | Kgf.m | N                                | kgf   |         |    |                    |    |    |    |    |      |      |    |    |    |    |    |    |
| 1                            | 8090           | 35        | 41.4                               | 164                               | 16.7  | 3270                             | 334  | 1.01    | 50.0                               | 136                               | 13.9  | 3330                             | 339   | 1.01    | 47 | 55                 | 61 | 64 | 72 | 78 |      |      |    |    |    |    |    |    |
|                              | 8105           |           |                                    |                                   |       | 5400                             | 550  |         |                                    |                                   |       | 5400                             | 550   |         |    |                    |    |    |    |    | 1.60 |      |    |    |    |    |    |    |
| 1                            | 8090           | 43        | 33.7                               | 202                               | 20.6  | 3210                             | 328  | 0.80    | 40.7                               | 167                               | 17.0  | 3280                             | 334   | 0.80    | 47 | 55                 | 61 | 64 | 72 | 78 |      |      |    |    |    |    |    |    |
|                              | 8105           |           |                                    |                                   |       | 5400                             | 550  |         |                                    |                                   |       | 5400                             | 550   |         |    |                    |    |    |    |    | 1.44 |      |    |    |    |    |    |    |
|                              | 8125           |           |                                    |                                   |       | 9810                             | 1000 |         |                                    |                                   |       | 2.55                             | 9640  |         |    |                    |    |    |    |    | 983  | 2.55 |    |    |    |    |    |    |
| 1                            | 8105           | 51        | 28.4                               | 239                               | 24.4  | 5400                             | 550  | 1.03    | 34.3                               | 198                               | 20.2  | 5390                             | 549   | 1.03    | 47 | 55                 | 61 | 64 | 72 | 78 |      |      |    |    |    |    |    |    |
|                              | 8125           |           |                                    |                                   |       | 9810                             | 1000 |         |                                    |                                   |       | 3.04                             | 9810  |         |    |                    |    |    |    |    | 1000 | 3.04 |    |    |    |    |    |    |
| 1                            | 8105           | 59        | 24.6                               | 277                               | 28.2  | 5400                             | 550  | 0.91    | 29.7                               | 229                               | 23.4  | 5370                             | 548   | 0.94    | 47 | 55                 | 61 | 64 | 72 | 78 |      |      |    |    |    |    |    |    |
|                              | 8125           |           |                                    |                                   |       | 9810                             | 1000 |         |                                    |                                   |       | 2.16                             | 9810  |         |    |                    |    |    |    |    | 1000 | 2.16 |    |    |    |    |    |    |
|                              | 8135           |           |                                    |                                   |       | 13200                            | 1340 |         |                                    |                                   |       | 2.81                             | 12400 |         |    |                    |    |    |    |    | 1270 | 2.92 |    |    |    |    |    |    |
| 1                            | 8125           | 71        | 20.4                               | 333                               | 34.0  | 9810                             | 1000 | 1.52    | 24.6                               | 276                               | 28.1  | 9810                             | 1000  | 1.60    | 47 | 55                 | 61 | 64 | 72 | 78 |      |      |    |    |    |    |    |    |
|                              | 8135           |           |                                    |                                   |       | 14000                            | 1420 |         |                                    |                                   |       | 2.71                             | 13100 |         |    |                    |    |    |    |    | 1340 | 2.89 |    |    |    |    |    |    |
|                              | 8125           |           |                                    |                                   |       | 9810                             | 1000 |         |                                    |                                   |       | 1.37                             | 9810  |         |    |                    |    |    |    |    | 1000 | 1.51 | 47 | 55 | 61 | 64 | 72 | 78 |
| 1                            | 8135           | 87        | 16.7                               | 408                               | 41.6  | 14700                            | 1500 | 2.20    | 20.1                               | 338                               | 34.5  | 14200                            | 1440  | 2.55    | 47 | 55                 | 61 | 64 | 72 | 78 |      |      |    |    |    |    |    |    |
|                              | 8145           |           |                                    |                                   |       | 16000                            | 1630 |         |                                    |                                   |       | 2.88                             | 16000 |         |    |                    |    |    |    |    | 1630 | 3.31 |    |    |    |    |    |    |
|                              | 8125DB         |           |                                    |                                   |       | 9810                             | 1000 |         |                                    |                                   |       | 1.36                             | 9810  |         |    |                    |    |    |    |    | 1000 | 1.64 | 51 | 57 | 62 | 68 | 74 | 79 |
| 1                            | 8135DB         | 104       | 13.9                               | 462                               | 47.1  | 14700                            | 1500 | 2.03    | 16.8                               | 383                               | 39.1  | 14700                            | 1500  | 2.45    | 51 | 57                 | 62 | 68 | 74 | 79 |      |      |    |    |    |    |    |    |
|                              | 8145DB         |           |                                    |                                   |       | 16000                            | 1630 |         |                                    |                                   |       | 2.13                             | 16000 |         |    |                    |    |    |    |    | 1630 | 2.13 |    |    |    |    |    |    |
|                              | 8145DC         |           |                                    |                                   |       | 16000                            | 1630 |         |                                    |                                   |       | 2.96                             | 16000 |         |    |                    |    |    |    |    | 1630 | 3.58 |    |    |    |    |    |    |
|                              | 8125DB         |           |                                    |                                   |       | 9810                             | 1000 |         |                                    |                                   |       | 1.16                             | 9810  |         |    |                    |    |    |    |    | 1000 | 1.40 | 51 | 57 | 62 | 68 | 74 | 79 |
|                              | 8135DB         |           |                                    |                                   |       | 14700                            | 1500 |         |                                    |                                   |       | 1.75                             | 14700 |         |    |                    |    |    |    |    | 1500 | 2.11 | 51 | 57 | 62 | 68 | 74 | 79 |
| 1                            | 8145DB         | 121       | 12.0                               | 538                               | 54.8  | 16000                            | 1630 | 2.13    | 14.5                               | 446                               | 45.4  | 16000                            | 1630  | 2.13    | 51 | 57                 | 62 | 68 | 74 | 79 |      |      |    |    |    |    |    |    |
|                              | 8145DC         |           |                                    |                                   |       | 16000                            | 1630 |         |                                    |                                   |       | 2.40                             | 16000 |         |    |                    |    |    |    |    | 1630 | 2.90 |    |    |    |    |    |    |
|                              | 8125DB         |           |                                    |                                   |       | 9810                             | 1000 |         |                                    |                                   |       | 0.98                             | 9810  |         |    |                    |    |    |    |    | 1000 | 1.20 | 51 | 57 | 62 | 68 | 74 | 79 |
|                              | 8135DB         |           |                                    |                                   |       | 14700                            | 1500 |         |                                    |                                   |       | 1.48                             | 14700 |         |    |                    |    |    |    |    | 1500 | 1.78 | 51 | 57 | 62 | 68 | 74 | 79 |
|                              | 8145DB         |           |                                    |                                   |       | 16000                            | 1630 |         |                                    |                                   |       | 2.13                             | 16000 |         |    |                    |    |    |    |    | 1630 | 2.13 | 51 | 57 | 62 | 68 | 74 | 79 |
| 1                            | 8145DC         | 143       | 10.1                               | 636                               | 64.8  | 16000                            | 1630 | 2.15    | 12.2                               | 527                               | 53.7  | 16000                            | 1630  | 2.60    | 51 | 57                 | 62 | 68 | 74 | 79 |      |      |    |    |    |    |    |    |
|                              | 8165DB         |           |                                    |                                   |       | 22100                            | 2250 |         |                                    |                                   |       | 2.76                             | 22100 |         |    |                    |    |    |    |    | 2250 | 3.33 |    |    |    |    |    |    |
|                              | 8125DB         |           |                                    |                                   |       | 9810                             | 1000 |         |                                    |                                   |       | 0.86                             | 9810  |         |    |                    |    |    |    |    | 1000 | 1.04 | 51 | 57 | 62 | 68 | 74 | 79 |
|                              | 8135DB         |           |                                    |                                   |       | 14700                            | 1500 |         |                                    |                                   |       | 1.28                             | 14700 |         |    |                    |    |    |    |    | 1500 | 1.55 | 51 | 57 | 62 | 68 | 74 | 79 |
|                              | 8145DB         |           |                                    |                                   |       | 16000                            | 1630 |         |                                    |                                   |       | 1.85                             | 16000 |         |    |                    |    |    |    |    | 1630 | 2.13 | 51 | 57 | 62 | 68 | 74 | 79 |
| 1                            | 8145DC         | 165       | 8.79                               | 734                               | 74.8  | 16000                            | 1630 | 1.85    | 10.6                               | 608                               | 62.0  | 16000                            | 1630  | 2.23    | 51 | 57                 | 62 | 68 | 74 | 79 |      |      |    |    |    |    |    |    |
|                              | 8165DA         |           |                                    |                                   |       | 22100                            | 2250 |         |                                    |                                   |       | 2.13                             | 22100 |         |    |                    |    |    |    |    | 2250 | 2.13 |    |    |    |    |    |    |
|                              | 8165DB         |           |                                    |                                   |       | 22100                            | 2250 |         |                                    |                                   |       | 2.13                             | 22100 |         |    |                    |    |    |    |    | 2250 | 2.13 |    |    |    |    |    |    |
|                              | 8165DB         |           |                                    |                                   |       | 22100                            | 2250 |         |                                    |                                   |       | 2.86                             | 22100 |         |    |                    |    |    |    |    | 2250 | 3.46 |    |    |    |    |    |    |
|                              | 8135DB         |           |                                    |                                   |       | 14700                            | 1500 |         |                                    |                                   |       | 1.08                             | 14700 |         |    |                    |    |    |    |    | 1500 | 1.31 | 51 | 57 | 62 | 68 | 74 | 79 |
| 1                            | 8145DB         | 195       | 7.44                               | 867                               | 88.4  | 22100                            | 2250 | 2.13    | 8.97                               | 718                               | 73.2  | 22100                            | 2250  | 2.13    | 51 | 57                 | 62 | 68 | 74 | 79 |      |      |    |    |    |    |    |    |
|                              | 8165DA         |           |                                    |                                   |       | 22100                            | 2250 |         |                                    |                                   |       | 2.42                             | 22100 |         |    |                    |    |    |    |    | 2250 | 2.92 |    |    |    |    |    |    |
|                              | 8175DB         |           |                                    |                                   |       | 29500                            | 3010 |         |                                    |                                   |       | 2.92                             | 29500 |         |    |                    |    |    |    |    | 3010 | 3.52 |    |    |    |    |    |    |
| 1                            | 8135DB         | 231       | 6.28                               | 1030                              | 105   | 14700                            | 1500 | 0.92    | 7.58                               | 851                               | 86.7  | 14700                            | 1500  | 1.10    | 51 | 57                 | 62 | 68 | 74 | 79 |      |      |    |    |    |    |    |    |
|                              | 8145DB         |           |                                    |                                   |       | 16000                            | 1630 |         |                                    |                                   |       | 1.30                             | 16000 |         |    |                    |    |    |    |    | 1630 | 1.57 |    |    |    |    |    |    |
|                              | 8165DA         |           |                                    |                                   |       | 22100                            | 2250 |         |                                    |                                   |       | 2.04                             | 22100 |         |    |                    |    |    |    |    | 2250 | 2.13 |    |    |    |    |    |    |
|                              | 8165DB         |           |                                    |                                   |       | 22100                            | 2250 |         |                                    |                                   |       | 2.04                             | 22100 |         |    |                    |    |    |    |    | 2250 | 2.47 |    |    |    |    |    |    |
|                              | 8175DA         |           |                                    |                                   |       | 29500                            | 3010 |         |                                    |                                   |       | 2.13                             | 29500 |         |    |                    |    |    |    |    | 3010 | 2.13 |    |    |    |    |    |    |
| 1                            | 8175DB         | 273       | 5.31                               | 1210                              | 124   | 29500                            | 3010 | 2.46    | 6.41                               | 1010                              | 103   | 29500                            | 3010  | 2.97    | 51 | 57                 | 62 | 68 | 74 | 79 |      |      |    |    |    |    |    |    |
|                              | 8145DB         |           |                                    |                                   |       | 16000                            | 1630 |         |                                    |                                   |       | 1.10                             | 16000 |         |    |                    |    |    |    |    | 1630 | 1.33 |    |    |    |    |    |    |
|                              | 8165DA         |           |                                    |                                   |       | 22100                            | 2250 |         |                                    |                                   |       | 1.73                             | 22100 |         |    |                    |    |    |    |    | 2250 | 2.09 |    |    |    |    |    |    |
|                              | 8175DA         |           |                                    |                                   |       | 29500                            | 3010 |         |                                    |                                   |       | 2.13                             | 29500 |         |    |                    |    |    |    |    | 3010 | 2.13 |    |    |    |    |    |    |
|                              | 8175DB         |           |                                    |                                   |       | 29500                            | 3010 |         |                                    |                                   |       | 2.60                             | 29500 |         |    |                    |    |    |    |    | 3010 | 3.13 |    |    |    |    |    |    |

※ Frame sizes in Blue are the recommended models for 24 hours/day with uniform load. 均勻負載下，減速機連續使用 24 小時，建議使用標註藍色型號或更大型號。

※ For 8070、8080、8090 please contact Varitron or your sales personal. 若需型號 8070、8080、8090 請洽中國變速。

# Service Factor 安全係數表

|                 |                |      |     |      |      |
|-----------------|----------------|------|-----|------|------|
| 0.75 kW<br>1 HP | Hz             | 50Hz |     | 60Hz |      |
|                 | Pole           | 4    | 6   | 4    | 6    |
|                 | n <sub>1</sub> | 1450 | 980 | 1750 | 1165 |



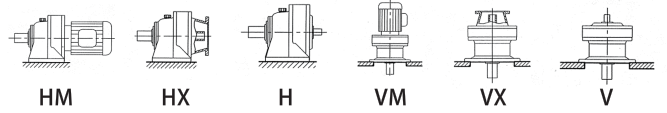
| Model 型式                     |                 | 50Hz       |                                    |                                   |       |                                  |       | 60Hz    |                                    |                                   |       |                                  |      | Dimension Page 頁數① |      |      |    |    |    |    |    |    |
|------------------------------|-----------------|------------|------------------------------------|-----------------------------------|-------|----------------------------------|-------|---------|------------------------------------|-----------------------------------|-------|----------------------------------|------|--------------------|------|------|----|----|----|----|----|----|
| Input Capacity Symbol 馬力編號 ② | Frame Size 型號 ③ | Ratio 速比 ④ | Output Speed 轉速 n <sub>2</sub> rpm | Output Torque 扭矩 T <sub>out</sub> |       | Allowable Radial Load 應許徑向負載 Pro |       | SF 安全係數 | Output Speed 轉速 n <sub>2</sub> rpm | Output Torque 扭矩 T <sub>out</sub> |       | Allowable Radial Load 應許徑向負載 Pro |      | SF 安全係數            | HM   | HX   | H  | VM | VX | V  |    |    |
|                              |                 |            |                                    | N.m                               | Kgf.m | N                                | kgf   |         |                                    | N.m                               | Kgf.m | N                                | kgf  |                    |      |      |    |    |    |    |    |    |
| 1                            | 8145DB          | 319        | 4.55                               | 1420                              | 145   | 15500                            | 1580  | 0.97    | 5.49                               | 1180                              | 120   | 16000                            | 1630 | 1.17               | 51   | 57   | 62 | 68 | 74 | 79 |    |    |
|                              | 8165DA          |            |                                    |                                   |       | 22100                            | 2250  | 1.48    |                                    |                                   |       | 22100                            | 2250 | 1.79               | 51   | 57   | 62 | 68 | 74 | 79 |    |    |
|                              | 8175DA          |            |                                    |                                   |       | 29500                            | 3010  | 2.13    |                                    |                                   |       | 29500                            | 3010 | 2.13               | 51   | 57   | 62 | 68 | 74 | 79 |    |    |
|                              | 8175DB          |            |                                    |                                   |       | 29500                            | 3010  | 2.22    |                                    |                                   |       | 29500                            | 3010 | 2.68               | 51   | 57   | 62 | 68 | 74 | 79 |    |    |
|                              | 8185DA          |            |                                    |                                   |       | 41700                            | 4250  | 2.86    |                                    |                                   |       | 41700                            | 4250 | 3.45               | 51   | 57   | 62 | 68 | 74 | 80 |    |    |
| 1                            | 8145DB          | 377        | 3.85                               | 1680                              | 171   | 14100                            | 1440  | 0.82    | 4.64                               | 1390                              | 142   | 15700                            | 1600 | 0.98               | 51   | 57   | 62 | 68 | 74 | 79 |    |    |
|                              | 8165DA          |            |                                    |                                   |       | 22100                            | 2250  | 1.25    |                                    |                                   |       | 22100                            | 2250 | 1.51               | 51   | 57   | 62 | 68 | 74 | 79 |    |    |
|                              | 8175DA          |            |                                    |                                   |       | 29500                            | 3010  | 1.88    |                                    |                                   |       | 29500                            | 3010 | 2.13               | 51   | 57   | 62 | 68 | 74 | 79 |    |    |
|                              | 8175DB          |            |                                    |                                   |       | 29500                            | 3010  | 1.88    |                                    |                                   |       | 29500                            | 3010 | 2.27               | 51   | 57   | 62 | 68 | 74 | 79 |    |    |
|                              | 8185DA          |            |                                    |                                   |       | 41700                            | 4250  | 2.98    |                                    |                                   |       | 41700                            | 4250 | 3.60               | 51   | 57   | 62 | 68 | 74 | 80 |    |    |
| 1                            | 8145DB          | 473        | 3.07                               | 1370                              | 140   | 15800                            | 1600  | *       | 3.70                               | 1740                              | 178   | 15700                            | 1600 | *                  | 51   | 57   | 62 | 68 | 74 | 79 |    |    |
|                              | 8165DA          |            |                                    | 22100                             | 2250  | 1.00                             | 22100 | 2250    |                                    |                                   |       | 1.21                             | 51   | 57                 | 62   | 68   | 74 | 79 |    |    |    |    |
|                              | 8175DA          |            |                                    | 2100                              | 214   | 29500                            | 3010  | 1.50    |                                    |                                   |       | 29500                            | 3010 | 1.81               | 51   | 57   | 62 | 68 | 74 | 79 |    |    |
|                              | 8185DA          |            |                                    | 41700                             | 4250  | 2.38                             | 41700 | 4250    |                                    |                                   |       | 2.87                             | 51   | 57                 | 62   | 68   | 74 | 80 |    |    |    |    |
| 1                            | 8145DB          | 493        | 2.94                               | 2190                              | 223   | 1370                             | 140   | 15800   | 1610                               | *                                 | 3.55  | 1820                             | 186  | 15800              | 1610 | *    | 51 | 57 | 62 | 68 | 74 | 79 |
|                              | 8165DA          |            |                                    |                                   |       | 22100                            | 2250  | 0.96    | 22100                              | 2250                              |       |                                  |      | 1.15               | 51   | 57   | 62 | 68 | 74 | 79 |    |    |
|                              | 8175DA          |            |                                    |                                   |       | 29500                            | 3010  | 1.44    | 29500                              | 3010                              |       |                                  |      | 1.73               | 51   | 57   | 62 | 68 | 74 | 79 |    |    |
|                              | 8185DA          |            |                                    |                                   |       | 41700                            | 4250  | 2.28    | 41700                              | 4250                              |       |                                  |      | 2.75               | 51   | 57   | 62 | 68 | 74 | 80 |    |    |
|                              | 8195DA          |            |                                    |                                   |       | 59000                            | 6010  | 2.91    | 59000                              | 6010                              |       |                                  |      | 3.51               | 51   | 57   | 63 | 68 | 74 | 80 |    |    |
| 1                            | 8165DA          | 559        | 2.59                               | 2490                              | 253   | 22100                            | 2250  | 0.85    | 3.13                               | 2060                              | 210   | 22100                            | 2250 | 1.02               | 51   | 57   | 62 | 68 | 74 | 79 |    |    |
|                              | 8175DA          |            |                                    |                                   |       | 29500                            | 3010  | 1.27    |                                    |                                   |       | 29500                            | 3010 | 1.53               | 51   | 57   | 62 | 68 | 74 | 79 |    |    |
|                              | 8185DA          |            |                                    |                                   |       | 41700                            | 4250  | 2.01    |                                    |                                   |       | 41700                            | 4250 | 2.43               | 51   | 57   | 62 | 68 | 74 | 80 |    |    |
|                              | 8195DA          |            |                                    |                                   |       | 59000                            | 6010  | 2.57    |                                    |                                   |       | 59000                            | 6010 | 3.10               | 51   | 57   | 63 | 68 | 74 | 80 |    |    |
| 1                            | 8165DA          | 649        | 2.23                               | 2100                              | 214   | 22100                            | 2250  | *       | 2.70                               | 2100                              | 214   | 22100                            | 2250 | *                  | 51   | 57   | 62 | 68 | 74 | 79 |    |    |
|                              | 8175DA          |            |                                    |                                   |       | 29500                            | 3010  | 1.09    |                                    |                                   |       | 29500                            | 3010 | 1.32               | 51   | 57   | 62 | 68 | 74 | 79 |    |    |
|                              | 8185DA          |            |                                    |                                   |       | 2890                             | 294   | 41700   |                                    |                                   |       | 4250                             | 1.73 | 41700              | 4250 | 2.09 | 51 | 57 | 62 | 68 | 74 | 80 |
|                              | 8195DA          |            |                                    |                                   |       | 59000                            | 6010  | 2.76    |                                    |                                   |       | 59000                            | 6010 | 3.33               | 51   | 57   | 63 | 68 | 74 | 80 |    |    |
| 1                            | 8165DA          | 731        | 1.98                               | 2100                              | 214   | 22100                            | 2250  | *       | 2.39                               | 2100                              | 214   | 22100                            | 2250 | *                  | 51   | 57   | 62 | 68 | 74 | 79 |    |    |
|                              | 8175DA          |            |                                    |                                   |       | 29500                            | 3010  | 0.97    |                                    |                                   |       | 29500                            | 3010 | 1.17               | 51   | 57   | 62 | 68 | 74 | 80 |    |    |
|                              | 8185DA          |            |                                    |                                   |       | 3250                             | 331   | 41700   |                                    |                                   |       | 4250                             | 1.54 | 41700              | 4250 | 1.86 | 51 | 57 | 62 | 68 | 74 | 79 |
|                              | 8195DA          |            |                                    |                                   |       | 59000                            | 6010  | 2.45    |                                    |                                   |       | 59000                            | 6010 | 2.96               | 51   | 57   | 63 | 68 | 74 | 80 |    |    |
| 1                            | 8175DA          | 841        | 1.72                               | 3740                              | 381   | 29500                            | 3010  | 0.84    | 2.08                               | 3100                              | 316   | 29500                            | 3010 | 1.02               | 51   | 57   | 62 | 68 | 74 | 79 |    |    |
|                              | 8185DA          |            |                                    |                                   |       | 41700                            | 4250  | 1.34    |                                    |                                   |       | 41700                            | 4250 | 1.61               | 51   | 57   | 62 | 68 | 74 | 79 |    |    |
|                              | 8195DA          |            |                                    |                                   |       | 59000                            | 6010  | 2.13    |                                    |                                   |       | 59000                            | 6010 | 2.57               | 51   | 57   | 63 | 68 | 74 | 80 |    |    |
| 1                            | 8175DA          | 1003       | 1.45                               | 3150                              | 321   | 29500                            | 3010  | *       | 1.74                               | 3150                              | 321   | 29500                            | 3010 | *                  | 51   | 57   | 62 | 68 | 74 | 79 |    |    |
|                              | 8185DA          |            |                                    |                                   |       | 4460                             | 455   | 41700   |                                    |                                   |       | 4250                             | 1.12 | 41700              | 4250 | 1.35 | 51 | 57 | 62 | 68 | 74 | 80 |
|                              | 8195DA          |            |                                    |                                   |       | 59000                            | 6010  | 1.79    |                                    |                                   |       | 59000                            | 6010 | 2.15               | 51   | 57   | 63 | 68 | 74 | 80 |    |    |
| 1                            | 8185DA          | 1247       | 1.16                               | 5540                              | 565   | 41700                            | 4250  | 0.90    | 1.40                               | 4590                              | 468   | 41700                            | 4250 | 1.09               | 51   | 57   | 62 | 68 | 74 | 80 |    |    |
|                              | 8195DA          |            |                                    |                                   |       | 59000                            | 6010  | 1.44    |                                    |                                   |       | 59000                            | 6010 | 1.73               | 51   | 57   | 63 | 68 | 74 | 80 |    |    |
| 1                            | 8185DA          | 1479       | 0.980                              | 5000                              | 510   | 41700                            | 4250  | *       | 1.18                               | 5000                              | 510   | 41700                            | 4250 | *                  | 51   | 57   | 62 | 68 | 74 | 80 |    |    |
|                              | 8195DA          |            |                                    | 6580                              | 670   | 58800                            | 5990  | 1.21    |                                    | 5450                              | 555   | 59000                            | 6010 | 1.46               | 51   | 57   | 63 | 68 | 74 | 80 |    |    |
| 1                            | 8185DA          | 1849       | 0.784                              | 5000                              | 510   | 59000                            | 6010  | *       | 0.946                              | 5000                              | 510   | 41700                            | 4250 | *                  | 51   | 57   | 62 | 68 | 74 | 80 |    |    |
|                              | 8195DA          |            |                                    | 8220                              | 838   | 58900                            | 6000  | 0.97    |                                    | 6810                              | 694   | 59000                            | 6010 | 1.17               | 51   | 57   | 63 | 68 | 74 | 80 |    |    |
| 1                            | 8185DA          | 2065       | 0.702                              | 5000                              | 510   | 41600                            | 4240  | *       | 0.847                              | 5000                              | 510   | 41600                            | 4240 | *                  | 51   | 57   | 62 | 68 | 74 | 80 |    |    |
|                              | 8195DA          |            |                                    | 9180                              | 936   | 57800                            | 5890  | 0.87    |                                    | 7610                              | 775   | 58200                            | 5940 | 1.05               | 51   | 57   | 63 | 68 | 74 | 80 |    |    |
| 1                            | 8195DA          | 2537       | 0.572                              | 7960                              | 811   | 58100                            | 5930  | *       | 0.690                              | 7960                              | 811   | 58100                            | 5930 | *                  | 51   | 57   | 63 | 68 | 74 | 80 |    |    |
|                              | 8205DA          |            |                                    | 11300                             | 1150  | 84100                            | 8570  | 0.82    |                                    | 9350                              | 953   | 84100                            | 8570 | 1.00               | 51   | 57   | 63 | 68 | 74 | 80 |    |    |
| 1                            | 8195DA          | 3045       | 0.476                              | 7960                              | 811   | 85400                            | 5950  | *       | 0.575                              | 7960                              | 811   | 58400                            | 5950 | *                  | 51   | 57   | 63 | 68 | 74 | 80 |    |    |
|                              | 8205DA          |            |                                    | 8760                              | 893   | 84100                            | 8570  | *       |                                    | 8760                              | 893   | 84100                            | 8570 | *                  | 51   | 57   | 63 | 68 | 74 | 80 |    |    |
| 1                            | 8195DA          | 3481       | 0.417                              | 7960                              | 811   | 58100                            | 5930  | *       | 0.503                              | 7960                              | 811   | 58100                            | 5930 | *                  | 51   | 57   | 63 | 68 | 74 | 80 |    |    |
|                              | 8205DA          |            |                                    | 9300                              | 948   | 84100                            | 8570  | *       |                                    | 9300                              | 948   | 84100                            | 8570 | *                  | 51   | 57   | 63 | 68 | 74 | 80 |    |    |

\* Frame sizes in Blue are the recommended models for 24 hours/day with uniform load. 均勻負載下，減速機連續使用 24 小時，建議使用標註藍色型號或更大型號。



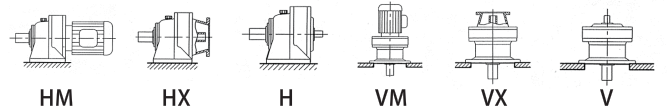
# Service Factor 安全係數表

|                 |                |      |     |      |      |
|-----------------|----------------|------|-----|------|------|
| 0.75 kW<br>1 HP | Hz             | 50Hz |     | 60Hz |      |
|                 | Pole           | 4    | 6   | 4    | 6    |
|                 | n <sub>1</sub> | 1450 | 980 | 1750 | 1165 |



| Model 型式                    |                |           | 50Hz                                  |                                   |       |                                  |      | 60Hz    |                                       |                                   |       |                                  | Dimension Page 頁數① |         |    |    |    |    |    |    |
|-----------------------------|----------------|-----------|---------------------------------------|-----------------------------------|-------|----------------------------------|------|---------|---------------------------------------|-----------------------------------|-------|----------------------------------|--------------------|---------|----|----|----|----|----|----|
| Input Capacity Symbol 馬力編號② | Frame Size 型號③ | Ratio 速比④ | Output Speed 轉速 n <sub>2</sub><br>rpm | Output Torque 扭矩 T <sub>out</sub> |       | Allowable Radial Load 應許徑向負載 Pro |      | SF 安全係數 | Output Speed 轉速 n <sub>2</sub><br>rpm | Output Torque 扭矩 T <sub>out</sub> |       | Allowable Radial Load 應許徑向負載 Pro |                    | SF 安全係數 | HM | HX | H  | VM | VX | V  |
|                             |                |           |                                       | N.m                               | Kgf.m | N                                | kgf  |         |                                       | N.m                               | Kgf.m | N                                | kgf                |         |    |    |    |    |    |    |
| 1                           | 8195DA         | 4437      | 0.327                                 | 7960                              | 811   | 58400                            | 5950 | *       | 0.394                                 | 7960                              | 811   | 58400                            | 5950               | *       | 51 | 57 | 63 | 68 | 74 | 80 |
|                             | 8205DA         |           |                                       | 8760                              | 893   | 84100                            | 8570 | *       |                                       | 8760                              | 893   | 84100                            | 8570               | *       | 51 | 57 | 63 | 68 | 74 | 80 |
| 1                           | 8195DA         | 5133      | 0.282                                 | 7960                              | 811   | 58400                            | 5950 | *       | 0.341                                 | 7960                              | 811   | 58400                            | 5950               | *       | 51 | 57 | 63 | 68 | 74 | 80 |
|                             | 8205DA         |           |                                       | 9300                              | 948   | 84100                            | 8570 | *       |                                       | 9300                              | 948   | 84100                            | 8570               | *       | 51 | 57 | 63 | 68 | 74 | 80 |
| 1                           | 8195DA         | 6177      | 0.235                                 | 7960                              | 811   | 58400                            | 5950 | *       | 0.283                                 | 7960                              | 811   | 58400                            | 5950               | *       | 51 | 57 | 63 | 68 | 74 | 80 |
|                             | 8205DA         |           |                                       | 8760                              | 893   | 84100                            | 8570 | *       |                                       | 8760                              | 893   | 84100                            | 8570               | *       | 51 | 57 | 63 | 68 | 74 | 80 |
| 1                           | 8195DA         | 7569      | 0.192                                 | 7960                              | 811   | 58400                            | 5950 | *       | 0.231                                 | 7960                              | 811   | 58400                            | 5950               | *       | 51 | 57 | 63 | 68 | 74 | 80 |
|                             | 8205DA         |           |                                       | 8760                              | 893   | 84100                            | 8570 | *       |                                       | 8760                              | 893   | 84100                            | 8570               | *       | 51 | 57 | 63 | 68 | 74 | 80 |

|                |                |      |     |      |      |
|----------------|----------------|------|-----|------|------|
| 1.5 kW<br>2 HP | Hz             | 50Hz |     | 60Hz |      |
|                | Pole           | 4    | 6   | 4    | 6    |
|                | n <sub>1</sub> | 1450 | 980 | 1750 | 1165 |

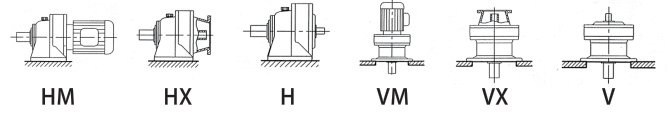


| Model 型式                    |                |           | 50Hz                                  |                                   |       |                                  |      | 60Hz    |                                       |                                   |       |                                  | Dimension Page 頁數① |         |      |      |    |    |    |    |
|-----------------------------|----------------|-----------|---------------------------------------|-----------------------------------|-------|----------------------------------|------|---------|---------------------------------------|-----------------------------------|-------|----------------------------------|--------------------|---------|------|------|----|----|----|----|
| Input Capacity Symbol 馬力編號② | Frame Size 型號③ | Ratio 速比④ | Output Speed 轉速 n <sub>2</sub><br>rpm | Output Torque 扭矩 T <sub>out</sub> |       | Allowable Radial Load 應許徑向負載 Pro |      | SF 安全係數 | Output Speed 轉速 n <sub>2</sub><br>rpm | Output Torque 扭矩 T <sub>out</sub> |       | Allowable Radial Load 應許徑向負載 Pro |                    | SF 安全係數 | HM   | HX   | H  | VM | VX | V  |
|                             |                |           |                                       | N.m                               | Kgf.m | N                                | kgf  |         |                                       | N.m                               | Kgf.m | N                                | kgf                |         |      |      |    |    |    |    |
| 2                           | 8105           | 6         | 242                                   | 56.3                              | 5.74  | 4130                             | 421  | 2.12    | 292                                   | 46.7                              | 4.76  | 3880                             | 396                | 2.12    | 47   | 55   | 61 | 64 | 72 | 78 |
|                             | 8105           |           |                                       | 181                               | 75.1  | 7.65                             | 4600 | 469     |                                       | 2.12                              | 219   | 62.2                             | 6.34               | 4330    | 441  | 2.12 | 47 | 55 | 61 | 64 |
| 2                           | 8105           | 8         | 132                                   | 103                               | 10.5  | 5220                             | 532  | 2.12    | 159                                   | 85.5                              | 8.72  | 4920                             | 501                | 2.12    | 47   | 55   | 61 | 64 | 72 | 78 |
|                             | 8105           |           |                                       | 112                               | 122   | 12.4                             | 5400 | 550     |                                       | 2.12                              | 135   | 101                              | 10.3               | 5110    | 521  | 2.12 | 47 | 55 | 61 | 64 |
| 2                           | 8105           | 11        | 96.7                                  | 141                               | 14.4  | 5400                             | 550  | 2.12    | 117                                   | 117                               | 11.9  | 5400                             | 550                | 2.12    | 47   | 55   | 61 | 64 | 72 | 78 |
|                             | 8105           |           |                                       | 112                               | 122   | 12.4                             | 5400 | 550     |                                       | 1.64                              | 103   | 132                              | 13.5               | 5400    | 550  | 1.64 | 47 | 55 | 61 | 64 |
| 2                           | 8105           | 13        | 85.3                                  | 160                               | 16.3  | 5400                             | 550  | 1.64    | 103                                   | 132                               | 13.5  | 5400                             | 550                | 1.64    | 47   | 55   | 61 | 64 | 72 | 78 |
|                             | 8105           |           |                                       | 160                               | 16.3  | 5400                             | 550  | 1.52    |                                       | 83.3                              | 163   | 16.6                             | 5400               | 550     | 1.56 | 47   | 55 | 61 | 64 | 72 |
| 2                           | 8105           | 15        | 69.0                                  | 197                               | 20.1  | 5400                             | 550  | 1.11    | 70.0                                  | 194                               | 19.8  | 5400                             | 550                | 1.11    | 47   | 55   | 61 | 64 | 72 | 78 |
|                             | 8125           |           |                                       | 235                               | 23.9  | 8650                             | 882  | 2.64    |                                       | 70.0                              | 194   | 19.8                             | 8150               | 831     | 2.64 | 47   | 55 | 61 | 64 | 72 |
| 2                           | 8105           | 17        | 58.0                                  | 235                               | 23.9  | 5400                             | 550  | 1.06    | 60.3                                  | 226                               | 23.0  | 5400                             | 550                | 1.06    | 47   | 55   | 61 | 64 | 72 | 78 |
|                             | 8125           |           |                                       | 272                               | 27.7  | 8990                             | 916  | 2.31    |                                       | 60.3                              | 226   | 23.0                             | 8470               | 863     | 2.51 | 47   | 55 | 61 | 64 | 72 |
| 2                           | 8105           | 21        | 50.0                                  | 272                               | 27.7  | 10500                            | 1070 | 2.87    | 50.0                                  | 272                               | 27.7  | 9920                             | 1010               | 2.99    | 47   | 55   | 61 | 64 | 72 | 78 |
|                             | 8135           |           |                                       | 272                               | 27.7  | 11100                            | 1130 | 2.74    |                                       | 50.0                              | 272   | 27.7                             | 10400              | 1060    | 2.83 | 47   | 55 | 61 | 64 | 72 |
| 2                           | 8105           | 25        | 41.4                                  | 328                               | 33.5  | 4820                             | 491  | 0.80    | 50.0                                  | 272                               | 27.7  | 5330                             | 544                | 0.80    | 47   | 55   | 61 | 64 | 72 | 78 |
|                             | 8125           |           |                                       | 328                               | 33.5  | 9490                             | 967  | 1.92    |                                       | 50.0                              | 272   | 27.7                             | 8940               | 912     | 2.12 | 47   | 55 | 61 | 64 | 72 |
| 2                           | 8105           | 29        | 33.7                                  | 404                               | 41.1  | 11100                            | 1130 | 2.74    | 40.7                                  | 334                               | 34.1  | 10400                            | 1060               | 2.83    | 47   | 55   | 61 | 64 | 72 | 78 |
|                             | 8125           |           |                                       | 404                               | 41.1  | 9810                             | 1000 | 1.56    |                                       | 40.7                              | 334   | 34.1                             | 9510               | 969     | 1.59 | 47   | 55 | 61 | 64 | 72 |
| 2                           | 8105           | 35        | 404                                   | 41.1                              | 11900 | 1210                             | 2.23 | 34.3    | 397                                   | 40.4                              | 11200 | 1140                             | 2.51               | 47      | 55   | 61   | 64 | 72 | 78 |    |
|                             | 8135           |           |                                       | 404                               | 41.1  | 16000                            | 1630 |         | 2.63                                  | 34.3                              | 397   | 40.4                             | 15900              | 1620    | 2.63 | 47   | 55 | 61 | 64 | 72 |
| 2                           | 8105           | 43        | 28.4                                  | 479                               | 48.8  | 9810                             | 1000 | 1.31    | 29.7                                  | 459                               | 46.8  | 9810                             | 1000               | 1.15    | 47   | 55   | 61 | 64 | 72 | 78 |
|                             | 8125           |           |                                       | 479                               | 48.8  | 12400                            | 1260 | 1.70    |                                       | 29.7                              | 459   | 46.8                             | 11700              | 1190    | 1.95 | 47   | 55 | 61 | 64 | 72 |
| 2                           | 8105           | 51        | 24.6                                  | 554                               | 56.4  | 16000                            | 1630 | 2.47    | 29.7                                  | 459                               | 46.8  | 16000                            | 1630               | 2.81    | 47   | 55   | 61 | 64 | 72 | 78 |
|                             | 8145           |           |                                       | 554                               | 56.4  | 16000                            | 1630 | 2.47    |                                       | 29.7                              | 459   | 46.8                             | 16000              | 1630    | 2.43 | 47   | 55 | 61 | 64 | 72 |
| 2                           | 8105           | 59        | 24.6                                  | 554                               | 56.4  | 9810                             | 1000 | 1.08    | 29.7                                  | 459                               | 46.8  | 9810                             | 1000               | 1.08    | 47   | 55   | 61 | 64 | 72 | 78 |
|                             | 8125           |           |                                       | 554                               | 56.4  | 13000                            | 1320 | 1.63    |                                       | 29.7                              | 459   | 46.8                             | 12200              | 1250    | 1.68 | 47   | 55 | 61 | 64 | 72 |
| 2                           | 8105           | 59        | 24.6                                  | 554                               | 56.4  | 16000                            | 1630 | 2.12    | 29.7                                  | 459                               | 46.8  | 16000                            | 1630               | 2.43    | 47   | 55   | 61 | 64 | 72 | 78 |
|                             | 8145           |           |                                       | 554                               | 56.4  | 16000                            | 1630 | 2.12    |                                       | 29.7                              | 459   | 46.8                             | 16000              | 1630    | 2.43 | 47   | 55 | 61 | 64 | 72 |
| 2                           | 8105           | 59        | 24.6                                  | 554                               | 56.4  | 22100                            | 2250 | 2.95    | 29.7                                  | 459                               | 46.8  | 22100                            | 2250               | 2.95    | 47   | -    | 61 | 64 | -  | 78 |
|                             | 8165           |           |                                       | 554                               | 56.4  | 22100                            | 2250 | 2.95    |                                       | 29.7                              | 459   | 46.8                             | 22100              | 2250    | 2.95 | 47   | -  | 61 | 64 | -  |

\* Frame sizes in Blue are the recommended models for 24 hours/day with uniform load. 均勻負載下，減速機連續使用 24 小時，建議使用標註藍色型號或更大型號。

# Service Factor 安全係數表

|                |                |      |     |      |      |
|----------------|----------------|------|-----|------|------|
| 1.5 kW<br>2 HP | Hz             | 50Hz |     | 60Hz |      |
|                | Pole           | 4    | 6   | 4    | 6    |
|                | n <sub>1</sub> | 1450 | 980 | 1750 | 1165 |

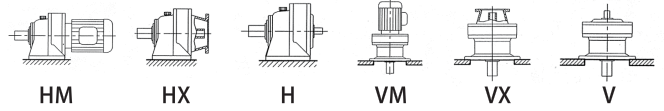


| Model 型式                     |                | 50Hz      |                                    |                                   |       |                                  |      |         | 60Hz                               |                                   |       |                                  |       |         |      | Dimension Page 頁數① |      |       |      |    |    |    |
|------------------------------|----------------|-----------|------------------------------------|-----------------------------------|-------|----------------------------------|------|---------|------------------------------------|-----------------------------------|-------|----------------------------------|-------|---------|------|--------------------|------|-------|------|----|----|----|
| Input Capacity Symbol 馬力 編號② | Frame Size 型號③ | Ratio 速比④ | Output Speed 轉速 n <sub>2</sub> rpm | Output Torque 扭矩 T <sub>out</sub> |       | Allowable Radial Load 應許徑向負載 Pro |      | SF 安全係數 | Output Speed 轉速 n <sub>2</sub> rpm | Output Torque 扭矩 T <sub>out</sub> |       | Allowable Radial Load 應許徑向負載 Pro |       | SF 安全係數 | HM   | HX                 | H    | VM    | VX   | V  |    |    |
|                              |                |           |                                    | N.m                               | Kgf.m | N                                | kgf  |         |                                    | N.m                               | Kgf.m | N                                | kgf   |         |      |                    |      |       |      |    |    |    |
| 2                            | 8135           | 71        | 20.4                               | 666                               | 67.9  | 13700                            | 1400 | 1.35    | 24.6                               | 552                               | 56.3  | 12900                            | 1320  | 1.45    | 47   | 55                 | 61   | 64    | 72   | 78 |    |    |
|                              | 8145           |           |                                    |                                   |       | 16000                            | 1630 | 1.75    |                                    |                                   |       | 16000                            | 1630  | 2.02    | 47   | 55                 | 61   | 64    | 72   | 78 |    |    |
|                              | 8165           |           |                                    |                                   |       | 22100                            | 2250 | 2.31    |                                    |                                   |       | 22100                            | 2250  | 2.31    | 47   | -                  | 61   | 64    | -    | 78 |    |    |
| 2                            | 8135           | 87        | 16.7                               | 817                               | 83.2  | 14700                            | 1500 | 1.10    | 20.1                               | 677                               | 69.0  | 13900                            | 1420  | 1.27    | 47   | 55                 | 61   | 64    | 72   | 78 |    |    |
|                              | 8145           |           |                                    |                                   |       | 16000                            | 1630 | 1.44    |                                    |                                   |       | 16000                            | 1630  | 1.65    | 47   | 55                 | 61   | 64    | 72   | 78 |    |    |
|                              | 8165           |           |                                    |                                   |       | 22100                            | 2250 | 2.51    |                                    |                                   |       | 22100                            | 2250  | 2.60    | 47   | -                  | 61   | 64    | -    | 78 |    |    |
| 2                            | 8135DC         | 104       | 13.9                               | 925                               | 94.3  | 14700                            | 1500 | 1.02    | 16.8                               | 766                               | 78.1  | 14700                            | 1500  | 1.23    | 51   | 58                 | 61   | 68    | 75   | 79 |    |    |
|                              | 8145DC         |           |                                    |                                   |       | 16000                            | 1630 | 1.48    |                                    |                                   |       | 16000                            | 1630  | 1.79    | 51   | 58                 | 62   | 68    | 75   | 79 |    |    |
|                              | 8165DB         |           |                                    |                                   |       | 22100                            | 2250 | 2.24    |                                    |                                   |       | 22100                            | 2250  | 2.24    | 51   | 58                 | 62   | 68    | 75   | 79 |    |    |
|                              | 8175DC         |           |                                    |                                   |       | 29500                            | 3010 | 2.73    |                                    |                                   |       | 29500                            | 3010  | 2.74    | 51   | 58                 | 62   | 68    | 75   | 79 |    |    |
| 2                            | 8145DC         | 121       | 12.0                               | 1080                              | 110   | 16000                            | 1630 | 1.20    | 14.5                               | 891                               | 90.9  | 16000                            | 1630  | 1.45    | 51   | 58                 | 62   | 68    | 75   | 79 |    |    |
|                              | 8165DB         |           |                                    |                                   |       | 22100                            | 2250 | 1.63    |                                    |                                   |       | 22100                            | 2250  | 1.97    | 51   | 58                 | 62   | 68    | 75   | 79 |    |    |
|                              | 8165DC         |           |                                    |                                   |       | 22100                            | 2250 | 1.95    |                                    |                                   |       | 22100                            | 2250  | 2.36    | 51   | 58                 | 62   | 68    | 75   | 79 |    |    |
|                              | 8175DB         |           |                                    |                                   |       | 29500                            | 3010 | 2.24    |                                    |                                   |       | 29500                            | 3010  | 2.24    | 51   | 58                 | 62   | 68    | 75   | 79 |    |    |
|                              | 8175DC         |           |                                    |                                   |       | 29500                            | 3010 | 2.93    |                                    |                                   |       | 29500                            | 3010  | 3.53    | 51   | 58                 | 62   | 68    | 75   | 79 |    |    |
| 2                            | 8135DC         | 143       | 10.1                               | 940                               | 95.8  | 14700                            | 1500 | *       | 12.2                               | 940                               | 95.8  | 14700                            | 1500  | *       | 51   | 58                 | 62   | 68    | 75   | 79 |    |    |
|                              | 8145DC         |           |                                    |                                   |       | 16000                            | 1630 | 1.08    |                                    |                                   |       | 16000                            | 1630  | 1.30    | 51   | 58                 | 62   | 68    | 75   | 79 |    |    |
|                              | 8165DB         |           |                                    |                                   |       | 22100                            | 2250 | 1.65    |                                    |                                   |       | 22100                            | 2250  | 1.99    | 51   | 58                 | 62   | 68    | 75   | 79 |    |    |
|                              | 8175DB         |           |                                    |                                   |       | 29500                            | 3010 | 2.24    |                                    |                                   |       | 29500                            | 3010  | 2.24    | 51   | 58                 | 62   | 68    | 75   | 79 |    |    |
|                              | 8175DC         |           |                                    |                                   |       | 29500                            | 3010 | 2.48    |                                    |                                   |       | 29500                            | 3010  | 2.99    | 51   | 58                 | 62   | 68    | 75   | 79 |    |    |
| 2                            | 8145DC         | 165       | 8.79                               | 1470                              | 150   | 15500                            | 1580 | 0.93    | 10.6                               | 1220                              | 124   | 16000                            | 1630  | 1.07    | 51   | 58                 | 62   | 68    | 75   | 79 |    |    |
|                              | 8165DB         |           |                                    |                                   |       | 22100                            | 2250 | 1.43    |                                    |                                   |       | 22100                            | 2250  | 1.73    | 51   | 58                 | 62   | 68    | 75   | 79 |    |    |
|                              | 8175DB         |           |                                    |                                   |       | 29500                            | 3010 | 2.15    |                                    |                                   |       | 29500                            | 3010  | 2.24    | 51   | 58                 | 62   | 68    | 75   | 79 |    |    |
|                              | 8185DA         |           |                                    |                                   |       | 41700                            | 4250 | 2.24    |                                    |                                   |       | 41700                            | 4250  | 2.24    | 51   | 58                 | 62   | 68    | 75   | 80 |    |    |
|                              | 8185DB         |           |                                    |                                   |       | 41700                            | 4250 | 2.77    |                                    |                                   |       | 41700                            | 4250  | 3.34    | 51   | 58                 | 62   | 68    | 75   | 80 |    |    |
| 2                            | 8145DC         | 195       | 7.44                               | 1360                              | 138   | 16000                            | 1630 | *       | 8.97                               | 1360                              | 138   | 16000                            | 1630  | *       | 51   | 58                 | 62   | 68    | 75   | 79 |    |    |
|                              | 8165DB         |           |                                    |                                   |       | 22100                            | 2250 | 1.21    |                                    |                                   |       | 22100                            | 2250  | 1.46    | 51   | 58                 | 62   | 68    | 75   | 79 |    |    |
|                              | 8175DB         |           |                                    |                                   |       | 29500                            | 3010 | 1.82    |                                    |                                   |       | 29500                            | 3010  | 2.19    | 51   | 58                 | 62   | 68    | 75   | 79 |    |    |
|                              | 8185DA         |           |                                    |                                   |       | 41700                            | 4250 | 2.12    |                                    |                                   |       | 41700                            | 4250  | 2.24    | 51   | 58                 | 62   | 68    | 75   | 80 |    |    |
|                              | 8185DB         |           |                                    |                                   |       | 41700                            | 4250 | 2.84    |                                    |                                   |       | 41700                            | 4250  | 3.43    | 51   | 58                 | 62   | 68    | 75   | 80 |    |    |
| 2                            | 8165DB         | 231       | 6.28                               | 2210                              | 2250  | 22100                            | 2250 | 1.02    | 7.58                               | 1700                              | 173   | 22100                            | 2250  | 1.23    | 51   | 58                 | 62   | 68    | 75   | 79 |    |    |
|                              | 8175DB         |           |                                    |                                   |       | 29500                            | 3010 | 1.53    |                                    |                                   |       | 29500                            | 3010  | 1.85    | 51   | 58                 | 62   | 68    | 75   | 79 |    |    |
|                              | 8185DA         |           |                                    |                                   |       | 41700                            | 4250 | 2.12    |                                    |                                   |       | 41700                            | 4250  | 2.12    | 51   | 58                 | 62   | 68    | 75   | 80 |    |    |
|                              | 8185DB         |           |                                    |                                   |       | 41700                            | 4250 | 2.43    |                                    |                                   |       | 41700                            | 4250  | 2.94    | 51   | 58                 | 62   | 68    | 75   | 80 |    |    |
|                              | 8165DB         |           |                                    |                                   |       | 22100                            | 2250 | 0.87    |                                    |                                   |       | 22100                            | 2250  | 1.04    | 51   | 58                 | 62   | 68    | 75   | 79 |    |    |
| 2                            | 8175DB         | 273       | 5.31                               | 2430                              | 247   | 29500                            | 3010 | 1.30    | 6.41                               | 2010                              | 205   | 29500                            | 3010  | 1.57    | 51   | 58                 | 62   | 68    | 75   | 79 |    |    |
|                              | 8185DA         |           |                                    |                                   |       | 41700                            | 4250 | 2.06    |                                    |                                   |       | 41700                            | 4250  | 2.24    | 51   | 58                 | 62   | 68    | 75   | 80 |    |    |
|                              | 8185DB         |           |                                    |                                   |       | 41700                            | 4250 | 2.06    |                                    |                                   |       | 41700                            | 4250  | 2.49    | 51   | 58                 | 62   | 68    | 75   | 80 |    |    |
|                              | 8195DA         |           |                                    |                                   |       | 59000                            | 6010 | 2.63    |                                    |                                   |       | 59000                            | 6010  | 3.17    | 51   | 58                 | 63   | 68    | 75   | 80 |    |    |
| 2                            | 8165DB         | 319       | 4.55                               | 2100                              | 214   | 22100                            | 2250 | *       | 5.49                               | 2100                              | 214   | 22100                            | 2250  | *       | 51   | 58                 | 62   | 68    | 75   | 79 |    |    |
|                              | 8175DB         |           |                                    |                                   |       | 29500                            | 3010 | 1.11    |                                    |                                   |       | 29500                            | 3010  | 1.34    | 51   | 58                 | 62   | 68    | 75   | 79 |    |    |
|                              | 8185DA         |           |                                    |                                   |       | 41700                            | 4250 | 1.76    |                                    |                                   |       | 41700                            | 4250  | 2.13    | 51   | 58                 | 62   | 68    | 75   | 80 |    |    |
|                              | 8195DA         |           |                                    |                                   |       | 59000                            | 6010 | 2.81    |                                    |                                   |       | 59000                            | 6010  | 3.39    | 51   | 58                 | 63   | 68    | 75   | 80 |    |    |
|                              | 8165DB         |           |                                    |                                   |       | 2100                             | 214  | 22100   |                                    |                                   |       | 2250                             | *     | 2100    | 214  | 22100              | 2250 | *     | 51   | 58 | 62 | 68 |
| 2                            | 8175DB         | 377       | 3.85                               | 29500                             | 3010  | 0.94                             | 4.64 | 2780    | 283                                | 2780                              | 283   | 29500                            | 3010  | 1.07    | 51   | 58                 | 62   | 68    | 75   | 79 |    |    |
|                              | 8185DA         |           |                                    |                                   |       | 41700                            |      |         |                                    |                                   |       | 4250                             | 1.49  | 41700   | 4250 | 1.80               | 51   | 58    | 62   | 68 | 75 | 80 |
|                              | 8195DA         |           |                                    |                                   |       | 59000                            |      |         |                                    |                                   |       | 6010                             | 2.37  | 59000   | 6010 | 2.87               | 51   | 58    | 63   | 68 | 75 | 80 |
|                              | 8175DB         |           |                                    |                                   |       | 3150                             |      |         |                                    |                                   |       | 321                              | 29500 | 3010    | *    | 3150               | 321  | 29500 | 3010 | *  | 51 | 58 |
| 2                            | 8185DA         | 473       | 3.07                               | 4210                              | 429   | 41700                            | 4250 | 1.19    | 3.70                               | 3480                              | 355   | 41700                            | 4250  | 1.43    | 51   | 58                 | 62   | 68    | 75   | 80 |    |    |
|                              | 8195DA         |           |                                    |                                   |       | 59000                            | 6010 | 1.89    |                                    |                                   |       | 59000                            | 6010  | 2.28    | 51   | 58                 | 63   | 68    | 75   | 80 |    |    |

※ Frame sizes in Blue are the recommended models for 24 hours/day with uniform load. 均勻負載下，減速機連續使用 24 小時，建議使用標註藍色型號或更大型號。

# Service Factor 安全係數表

|                |                |      |     |      |      |
|----------------|----------------|------|-----|------|------|
| 1.5 kW<br>2 HP | Hz             | 50Hz |     | 60Hz |      |
|                | Pole           | 4    | 6   | 4    | 6    |
|                | n <sub>1</sub> | 1450 | 980 | 1750 | 1165 |



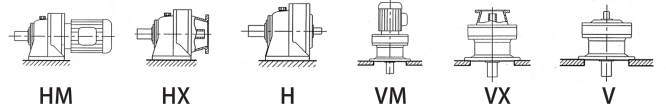
| Model 型式                     |                |           | 50Hz                               |                                   |       |                                  |       |         | 60Hz                               |                                   |       |                                  |       |         | Dimension Page 頁數① |    |    |    |    |    |
|------------------------------|----------------|-----------|------------------------------------|-----------------------------------|-------|----------------------------------|-------|---------|------------------------------------|-----------------------------------|-------|----------------------------------|-------|---------|--------------------|----|----|----|----|----|
| Input Capacity Symbol 馬力 編號② | Frame Size 型號③ | Ratio 速比④ | Output Speed 轉速 n <sub>2</sub> rpm | Output Torque 扭矩 T <sub>out</sub> |       | Allowable Radial Load 應許徑向負載 Pro |       | SF 安全係數 | Output Speed 轉速 n <sub>2</sub> rpm | Output Torque 扭矩 T <sub>out</sub> |       | Allowable Radial Load 應許徑向負載 Pro |       | SF 安全係數 | HM                 | HX | H  | VM | VX | V  |
|                              |                |           |                                    | N.m                               | Kgf.m | N                                | kgf   |         |                                    | N.m                               | Kgf.m | N                                | kgf   |         |                    |    |    |    |    |    |
| 2                            | 8175DB         | 493       | 2.94                               | 3150                              | 321   | 29500                            | 3010  | *       | 3.55                               | 3150                              | 321   | 29500                            | 3010  | *       | 51                 | 58 | 62 | 68 | 75 | 79 |
|                              | 8185DA         |           |                                    | 4380                              | 446   | 41700                            | 4250  | 1.14    |                                    | 3630                              | 370   | 41700                            | 4250  | 1.38    | 51                 | 58 | 62 | 68 | 75 | 80 |
|                              | 8195DA         |           |                                    |                                   |       | 59000                            | 6010  | 1.82    |                                    |                                   |       | 59000                            | 6010  | 2.19    | 51                 | 58 | 63 | 68 | 75 | 80 |
| 2                            | 8175DB         | 559       | 2.59                               | 3150                              | 321   | 29500                            | 3010  | *       | 3.13                               | 3150                              | 321   | 29500                            | 3010  | *       | 51                 | 58 | 62 | 68 | 75 | 79 |
|                              | 8185DA         |           |                                    |                                   |       | 41700                            | 4250  | 1.01    |                                    | 4120                              | 420   | 41700                            | 4250  | 1.21    | 51                 | 58 | 62 | 68 | 75 | 80 |
|                              | 8195DA         |           |                                    |                                   |       | 59000                            | 6040  | 1.60    |                                    |                                   |       | 59000                            | 6040  | 1.93    | 51                 | 58 | 63 | 68 | 75 | 80 |
| 2                            | 8175DB         | 649       | 2.23                               | 3150                              | 321   | 29500                            | 3010  | *       | 2.70                               | 3150                              | 321   | 29500                            | 3010  | *       | 51                 | 58 | 62 | 68 | 75 | 79 |
|                              | 8185DA         |           |                                    | 5770                              | 588   | 41300                            | 4210  | 0.87    |                                    | 4780                              | 487   | 41700                            | 4250  | 1.05    | 51                 | 58 | 62 | 68 | 75 | 80 |
|                              | 8195DA         |           |                                    |                                   |       | 58700                            | 5990  | 1.38    |                                    |                                   |       | 59000                            | 6010  | 1.66    | 51                 | 58 | 63 | 68 | 75 | 80 |
| 2                            | 8185DA         | 731       | 1.98                               | 5000                              | 510   | 41700                            | 4250  | *       | 2.39                               | 5000                              | 510   | 41700                            | 4250  | *       | 51                 | 58 | 62 | 68 | 75 | 80 |
|                              | 8195DA         |           |                                    | 6500                              | 663   | 59000                            | 6010  | 1.22    |                                    | 5390                              | 549   | 59000                            | 6010  | 1.48    | 51                 | 58 | 63 | 68 | 75 | 80 |
| 2                            | 8185DA         | 841       | 1.72                               | 5000                              | 510   | 41700                            | 4250  | *       | 2.08                               | 5000                              | 510   | 41700                            | 4250  | *       | 51                 | 58 | 62 | 68 | 75 | 80 |
|                              | 8195DA         |           |                                    | 7480                              | 762   | 59000                            | 6010  | 1.06    |                                    | 6200                              | 632   | 59000                            | 6010  | 1.28    | 51                 | 58 | 63 | 68 | 75 | 80 |
| 2                            | 8185DA         | 1003      | 1.45                               | 5000                              | 510   | 41700                            | 4250  | *       | 1.74                               | 5000                              | 510   | 41700                            | 4250  | *       | 51                 | 58 | 62 | 68 | 75 | 80 |
|                              | 8195DA         |           |                                    | 8920                              | 909   | 57900                            | 5900  | 0.89    |                                    | 7390                              | 753   | 58300                            | 5940  | 1.08    | 51                 | 58 | 63 | 68 | 75 | 80 |
| 2                            | 8195DA         | 1247      | 1.16                               | 7960                              | 811   | 59000                            | 6010  | *       | 1.40                               | 7960                              | 811   | 59000                            | 6010  | *       | 51                 | 58 | 63 | 68 | 75 | 80 |
|                              | 8205DA         |           |                                    | 8760                              | 893   | 84100                            | 8570  | *       |                                    | 8360                              | 853   | 84100                            | 8570  | *       | 51                 | 58 | 63 | 68 | 75 | 80 |
| 2                            | 8205DA         | 1479      | 0.980                              | 8760                              | 893   | 84100                            | 8570  | *       | 1.18                               | 8360                              | 853   | 84100                            | 8570  | *       | 51                 | 58 | 63 | 68 | 75 | 80 |
|                              | 8215DA         |           |                                    | 13200                             | 1340  | 104000                           | 10600 | 0.86    |                                    | 10900                             | 1100  | 104000                           | 10600 | 1.03    | 51                 | 58 | 63 | 68 | 75 | 80 |
|                              | 8205DA         |           |                                    | 9300                              | 948   | 84100                            | 8570  | *       |                                    | 9300                              | 948   | 84100                            | 8570  | *       | 51                 | 58 | 63 | 68 | 75 | 80 |
| 2                            | 8215DA         | 1849      | 0.784                              | 12700                             | 1290  | 104000                           | 10600 | *       | 0.946                              | 12700                             | 1290  | 104000                           | 10600 | *       | 51                 | 58 | 63 | 68 | 75 | 80 |
|                              | 8225DA         |           |                                    | 16400                             | 1680  | 145000                           | 14800 | 0.97    |                                    | 13600                             | 1390  | 145000                           | 14800 | *       | 51                 | 58 | 63 | 68 | 75 | 80 |
| 2                            | 8205DA         | 2065      | 0.702                              | 9300                              | 948   | 84100                            | 8570  | *       | 0.847                              | 9300                              | 948   | 84100                            | 8570  | *       | 51                 | 58 | 63 | 68 | 75 | 80 |
|                              | 8215DA         |           |                                    | 12700                             | 1290  | 104000                           | 10600 | *       |                                    | 12700                             | 1290  | 104000                           | 10600 | *       | 51                 | 58 | 63 | 68 | 75 | 80 |
|                              | 8225DA         |           |                                    | 18400                             | 1870  | 145000                           | 14800 | 0.86    |                                    | 15200                             | 1500  | 145000                           | 14800 | 1.04    | 51                 | 58 | 63 | 68 | 75 | 80 |
| 2                            | 8215DA         | 2537      | 0.572                              | 12700                             | 1290  | 104000                           | 10600 | *       | 0.690                              | 12700                             | 1290  | 104000                           | 10600 | *       | 51                 | 58 | 63 | 68 | 75 | 80 |
|                              | 8225DA         |           |                                    | 15900                             | 1620  | 145000                           | 14800 | *       |                                    | 15900                             | 1620  | 145000                           | 14800 | *       | 51                 | 58 | 63 | 68 | 75 | 80 |
| 2                            | 8215DA         | 3045      | 0.476                              | 11300                             | 1150  | 104000                           | 10600 | *       | 0.575                              | 11300                             | 1150  | 104000                           | 10600 | *       | 51                 | 58 | 63 | 68 | 75 | 80 |
|                              | 8225DA         |           |                                    | 15100                             | 1540  | 145000                           | 14800 | *       |                                    | 15100                             | 1540  | 145000                           | 14800 | *       | 51                 | 58 | 63 | 68 | 75 | 80 |
| 2                            | 8215DA         | 3481      | 0.417                              | 12700                             | 1290  | 104000                           | 10600 | *       | 0.503                              | 12700                             | 1290  | 104000                           | 10600 | *       | 51                 | 58 | 63 | 68 | 75 | 80 |
|                              | 8225DA         |           |                                    | 15900                             | 1620  | 145000                           | 14800 | *       |                                    | 15900                             | 1620  | 145000                           | 14800 | *       | 51                 | 58 | 63 | 68 | 75 | 80 |
| 2                            | 8215DA         | 4437      | 0.327                              | 11300                             | 1150  | 104000                           | 10600 | *       | 0.394                              | 11300                             | 1150  | 104000                           | 10600 | *       | 51                 | 58 | 63 | 68 | 75 | 80 |
|                              | 8225DA         |           |                                    | 15100                             | 1540  | 145000                           | 14800 | *       |                                    | 15100                             | 1540  | 145000                           | 14800 | *       | 51                 | 58 | 63 | 68 | 75 | 80 |
| 2                            | 8215DA         | 5133      | 0.282                              | 12700                             | 1290  | 104000                           | 10600 | *       | 0.341                              | 12700                             | 1290  | 104000                           | 10600 | *       | 51                 | 58 | 63 | 68 | 75 | 80 |
|                              | 8225DA         |           |                                    | 15900                             | 1620  | 145000                           | 14800 | *       |                                    | 15900                             | 1620  | 145000                           | 14800 | *       | 51                 | 58 | 63 | 68 | 75 | 80 |
| 2                            | 8215DA         | 6177      | 0.235                              | 11300                             | 1150  | 104000                           | 10600 | *       | 0.283                              | 11300                             | 1150  | 104000                           | 10600 | *       | 51                 | 58 | 63 | 68 | 75 | 80 |
|                              | 8225DA         |           |                                    | 15100                             | 1540  | 145000                           | 14800 | *       |                                    | 15100                             | 1540  | 145000                           | 14800 | *       | 51                 | 58 | 63 | 68 | 75 | 80 |
| 2                            | 8215DA         | 7569      | 0.192                              | 11300                             | 1150  | 104000                           | 10600 | *       | 0.231                              | 11300                             | 1150  | 104000                           | 10600 | *       | 51                 | 58 | 63 | 68 | 75 | 80 |
|                              | 8225DA         |           |                                    | 15100                             | 1540  | 145000                           | 14800 | *       |                                    | 15100                             | 1540  | 145000                           | 14800 | *       | 51                 | 58 | 63 | 68 | 75 | 80 |

※ Frame sizes in Blue are the recommended models for 24 hours/day with uniform load. 均勻負載下，減速機連續使用 24 小時，建議使用標註藍色型號或更大型號。



# Service Factor 安全係數表

|                |                |      |     |      |      |
|----------------|----------------|------|-----|------|------|
| 2.2 kW<br>3 HP | Hz             | 50Hz |     | 60Hz |      |
|                | Pole           | 4    | 6   | 4    | 6    |
|                | n <sub>1</sub> | 1450 | 980 | 1750 | 1165 |

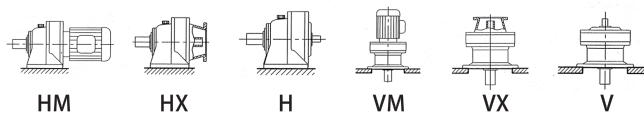


| Model 型式                      |                 | 50Hz       |                                    |                                   |       |                                  |      |         | 60Hz                               |                                   |       |                                  |      | Dimension Page 頁數① |    |    |    |    |    |    |
|-------------------------------|-----------------|------------|------------------------------------|-----------------------------------|-------|----------------------------------|------|---------|------------------------------------|-----------------------------------|-------|----------------------------------|------|--------------------|----|----|----|----|----|----|
| Input Capacity Symbol 馬力 編號 ② | Frame Size 型號 ③ | Ratio 速比 ④ | Output Speed 轉速 n <sub>2</sub> rpm | Output Torque 扭矩 T <sub>out</sub> |       | Allowable Radial Load 應許徑向負載 Pro |      | SF 安全係數 | Output Speed 轉速 n <sub>2</sub> rpm | Output Torque 扭矩 T <sub>out</sub> |       | Allowable Radial Load 應許徑向負載 Pro |      | SF 安全係數            | HM | HX | H  | VM | VX | V  |
|                               |                 |            |                                    | N.m                               | Kgf.m | N                                | kgf  |         |                                    | N.m                               | Kgf.m | N                                | kgf  |                    |    |    |    |    |    |    |
| 3                             | 8105            | 6          | 242                                | 82.6                              | 8.42  | 4090                             | 417  | 1.45    | 292                                | 68.4                              | 6.98  | 3860                             | 393  | 1.45               | 47 | 55 | 61 | 64 | 72 | 78 |
|                               | 8125            |            |                                    |                                   |       | 5260                             | 536  | 2.30    |                                    |                                   |       | 4950                             | 505  | 2.30               |    |    |    |    |    |    |
| 3                             | 8105            | 8          | 181                                | 110                               | 11.2  | 4560                             | 465  | 1.45    | 219                                | 91.2                              | 9.30  | 4300                             | 438  | 1.45               | 47 | 55 | 61 | 64 | 72 | 78 |
|                               | 8125            |            |                                    |                                   |       | 5870                             | 598  | 2.30    |                                    |                                   |       | 5520                             | 563  | 2.30               |    |    |    |    |    |    |
| 3                             | 8105            | 11         | 132                                | 151                               | 15.4  | 5170                             | 527  | 1.45    | 159                                | 125                               | 12.8  | 4870                             | 497  | 1.45               | 47 | 55 | 61 | 64 | 72 | 78 |
|                               | 8125            |            |                                    |                                   |       | 6670                             | 680  | 2.69    |                                    |                                   |       | 6280                             | 640  | 2.69               |    |    |    |    |    |    |
| 3                             | 8105            | 13         | 112                                | 179                               | 18.2  | 5360                             | 547  | 1.45    | 135                                | 148                               | 15.1  | 5060                             | 516  | 1.45               | 47 | 55 | 61 | 64 | 72 | 78 |
|                               | 8125            |            |                                    |                                   |       | 6890                             | 702  | 2.69    |                                    |                                   |       | 6490                             | 662  | 2.69               |    |    |    |    |    |    |
| 3                             | 8105            | 15         | 96.7                               | 206                               | 21.0  | 5400                             | 550  | 1.45    | 117                                | 171                               | 17.4  | 5340                             | 544  | 1.45               | 47 | 55 | 61 | 64 | 72 | 78 |
|                               | 8125            |            |                                    |                                   |       | 7390                             | 753  | 2.69    |                                    |                                   |       | 6960                             | 710  | 2.69               |    |    |    |    |    |    |
| 3                             | 8105            | 17         | 85.3                               | 234                               | 23.9  | 5400                             | 550  | 1.12    | 103                                | 194                               | 19.8  | 5400                             | 550  | 1.12               | 47 | 55 | 61 | 64 | 72 | 78 |
|                               | 8125            |            |                                    |                                   |       | 7460                             | 760  | 2.57    |                                    |                                   |       | 7030                             | 716  | 2.57               |    |    |    |    |    |    |
| 3                             | 8105            | 21         | 69.0                               | 289                               | 29.5  | 5400                             | 550  | 1.04    | 83.3                               | 240                               | 24.4  | 5400                             | 550  | 1.06               | 47 | 55 | 61 | 64 | 72 | 78 |
|                               | 8125            |            |                                    |                                   |       | 8180                             | 834  | 2.18    |                                    |                                   |       | 7710                             | 786  | 2.22               |    |    |    |    |    |    |
| 3                             | 8135            | 25         | 58.0                               | 344                               | 35.1  | 8560                             | 873  | 1.80    | 70.0                               | 285                               | 29.1  | 8070                             | 823  | 1.80               | 47 | 55 | 61 | 64 | 72 | 78 |
|                               | 8125            |            |                                    |                                   |       | 9950                             | 1010 | 2.61    |                                    |                                   |       | 9370                             | 955  | 2.70               |    |    |    |    |    |    |
| 3                             | 8135            | 29         | 50.0                               | 399                               | 40.7  | 8880                             | 905  | 1.58    | 60.3                               | 331                               | 33.7  | 8380                             | 854  | 1.71               | 47 | 55 | 61 | 64 | 72 | 78 |
|                               | 8145            |            |                                    |                                   |       | 10500                            | 1070 | 2.22    |                                    |                                   |       | 9850                             | 1000 | 2.56               |    |    |    |    |    |    |
| 3                             | 8145            | 35         | 41.4                               | 482                               | 49.1  | 15000                            | 1530 | 2.70    | 50.0                               | 399                               | 40.7  | 14200                            | 1450 | 2.70               | 47 | 55 | 61 | 64 | 72 | 78 |
|                               | 8125            |            |                                    |                                   |       | 9350                             | 954  | 1.08    |                                    |                                   |       | 8830                             | 900  | 1.13               |    |    |    |    |    |    |
| 3                             | 8135            | 43         | 33.7                               | 592                               | 60.3  | 11000                            | 1120 | 1.87    | 40.7                               | 490                               | 50.0  | 10300                            | 1050 | 1.93               | 47 | 55 | 61 | 64 | 72 | 78 |
|                               | 8145            |            |                                    |                                   |       | 16000                            | 1630 | 2.85    |                                    |                                   |       | 15200                            | 1550 | 3.42               |    |    |    |    |    |    |
| 3                             | 8125            | 51         | 28.4                               | 702                               | 71.6  | 9810                             | 1000 | 1.06    | 34.3                               | 582                               | 59.3  | 9380                             | 956  | 1.08               | 47 | 55 | 61 | 64 | 72 | 78 |
|                               | 8135            |            |                                    |                                   |       | 11800                            | 1200 | 1.52    |                                    |                                   |       | 11100                            | 1130 | 1.71               |    |    |    |    |    |    |
| 3                             | 8145            | 59         | 24.6                               | 812                               | 82.8  | 16000                            | 1630 | 1.45    | 29.7                               | 673                               | 68.6  | 15900                            | 1620 | 2.45               | 47 | 55 | 61 | 64 | 72 | 78 |
|                               | 8165            |            |                                    |                                   |       | 20600                            | 2100 | 2.93    |                                    |                                   |       | 19300                            | 1970 | 3.39               |    |    |    |    |    |    |
| 3                             | 8135            | 71         | 20.4                               | 977                               | 99.6  | 9810                             | 1000 | 0.90    | 24.6                               | 810                               | 82.5  | 9760                             | 995  | 1.04               | 47 | 55 | 61 | 64 | 72 | 78 |
|                               | 8145            |            |                                    |                                   |       | 12200                            | 1250 | 1.16    |                                    |                                   |       | 11500                            | 1180 | 1.33               |    |    |    |    |    |    |
| 3                             | 8165            | 87         | 16.7                               | 1200                              | 122   | 16000                            | 1630 | 0.98    | 20.1                               | 992                               | 101   | 16000                            | 1630 | 1.13               | 47 | 55 | 61 | 64 | 72 | 78 |
|                               | 8135            |            |                                    |                                   |       | 21300                            | 2180 | 2.99    |                                    |                                   |       | 20100                            | 2050 | 3.42               |    |    |    |    |    |    |
| 3                             | 8135DC          | 104        | 13.9                               | 940                               | 95.8  | 12800                            | 1300 | 1.11    | 16.8                               | 940                               | 95.8  | 12100                            | 1230 | 1.15               | 47 | 55 | 61 | 64 | 72 | 78 |
|                               | 8145DC          |            |                                    |                                   |       | 14700                            | 1500 | *       |                                    |                                   |       | 14700                            | 1500 | *                  |    |    |    |    |    |    |
| 3                             | 8165DB          | 121        | 12.0                               | 1580                              | 161   | 16000                            | 1630 | 1.01    | 14.5                               | 1310                              | 133   | 16000                            | 1630 | 1.22               | 52 | 58 | 62 | 69 | 75 | 79 |
|                               | 8165DC          |            |                                    |                                   |       | 22100                            | 2250 | 1.53    |                                    |                                   |       | 22100                            | 2250 | 1.53               |    |    |    |    |    |    |
| 3                             | 8175DC          | 121        | 12.0                               | 1580                              | 161   | 22100                            | 2250 | 1.55    | 14.5                               | 1310                              | 133   | 22100                            | 2250 | 1.87               | 52 | 58 | 62 | 69 | 75 | 79 |
|                               | 8185DB          |            |                                    |                                   |       | 29500                            | 3010 | 2.32    |                                    |                                   |       | 29400                            | 3000 | 2.80               |    |    |    |    |    |    |
| 3                             | 8145DC          | 121        | 12.0                               | 1580                              | 161   | 41300                            | 4210 | 2.99    | 14.5                               | 1310                              | 133   | 38800                            | 3960 | 3.61               | 52 | 58 | 62 | 69 | 75 | 79 |
|                               | 8165DB          |            |                                    |                                   |       | 15300                            | 1560 | 0.82    |                                    |                                   |       | 16000                            | 1630 | 0.98               |    |    |    |    |    |    |
| 3                             | 8165DC          | 121        | 12.0                               | 1580                              | 161   | 22100                            | 2250 | 1.33    | 14.5                               | 1310                              | 133   | 22100                            | 2250 | 1.53               | 52 | 58 | 62 | 69 | 75 | 79 |
|                               | 8175DB          |            |                                    |                                   |       | 22100                            | 2250 | 1.33    |                                    |                                   |       | 22100                            | 2250 | 1.61               |    |    |    |    |    |    |
| 3                             | 8175DC          | 121        | 12.0                               | 1580                              | 161   | 29500                            | 3010 | 2.00    | 14.5                               | 1310                              | 133   | 29500                            | 3010 | 2.41               | 52 | 58 | 62 | 69 | 75 | 79 |
|                               | 8185DB          |            |                                    |                                   |       | 41700                            | 4250 | 2.57    |                                    |                                   |       | 41300                            | 4210 | 3.11               |    |    |    |    |    |    |

※ Frame sizes in Blue are the recommended models for 24 hours/day with uniform load. 均勻負載下，減速機連續使用 24 小時，建議使用標註藍色型號或更大型號。

# Service Factor 安全係數表

|                |                |      |     |      |      |
|----------------|----------------|------|-----|------|------|
| 2.2 kW<br>3 HP | Hz             | 50Hz |     | 60Hz |      |
|                | Pole           | 4    | 6   | 4    | 6    |
|                | n <sub>1</sub> | 1450 | 980 | 1750 | 1165 |

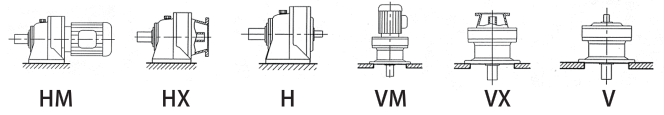


| Model 型式                      |                 |            | 50Hz                               |                                   |       |                                  |       | 60Hz    |                                    |                                   |       |                                  | Dimension Page 頁數① |         |    |    |    |    |    |    |
|-------------------------------|-----------------|------------|------------------------------------|-----------------------------------|-------|----------------------------------|-------|---------|------------------------------------|-----------------------------------|-------|----------------------------------|--------------------|---------|----|----|----|----|----|----|
| Input Capacity Symbol 馬力 編號 ② | Frame Size 型號 ③ | Ratio 速比 ④ | Output Speed 轉速 n <sub>2</sub> rpm | Output Torque 扭矩 T <sub>out</sub> |       | Allowable Radial Load 應許徑向負載 Pro |       | SF 安全係數 | Output Speed 轉速 n <sub>2</sub> rpm | Output Torque 扭矩 T <sub>out</sub> |       | Allowable Radial Load 應許徑向負載 Pro |                    | SF 安全係數 | HM | HX | H  | VM | VX | V  |
|                               |                 |            |                                    | N.m                               | Kgf.m | N                                | kgf   |         |                                    | N.m                               | Kgf.m | N                                | kgf                |         |    |    |    |    |    |    |
| 3                             | 8145DC          | 143        | 10.1                               | 1370                              | 140   | 15900                            | 1620  | *       | 12.2                               | 1370                              | 140   | 15900                            | 1620               | *       | 52 | 58 | 62 | 69 | 75 | 79 |
|                               | 8165DB          |            |                                    |                                   |       | 22100                            | 2250  | 1.13    |                                    |                                   |       | 22100                            | 2250               | 1.36    |    |    |    |    |    |    |
|                               | 8175DB          |            |                                    |                                   |       | 29500                            | 3010  | 1.53    |                                    |                                   |       | 29500                            | 3010               | 1.53    |    |    |    |    |    |    |
|                               | 8175DC          |            |                                    |                                   |       | 29500                            | 3010  | 1.69    |                                    |                                   |       | 29500                            | 3010               | 2.04    |    |    |    |    |    |    |
|                               | 8185DB          |            |                                    |                                   |       | 41700                            | 4250  | 2.63    |                                    |                                   |       | 41700                            | 4250               | 3.17    |    |    |    |    |    |    |
|                               | 8195DA          |            |                                    |                                   |       | 59000                            | 6010  | 2.84    |                                    |                                   |       | 59000                            | 6010               | 2.84    |    |    |    |    |    |    |
| 3                             | 8165DB          | 165        | 8.79                               | 2150                              | 219   | 22100                            | 2250  | 0.98    | 10.6                               | 1780                              | 182   | 22100                            | 2250               | 1.18    | 52 | 58 | 62 | 69 | 75 | 79 |
|                               | 8175DB          |            |                                    |                                   |       | 29500                            | 3010  | 1.46    |                                    |                                   |       | 29500                            | 3010               | 1.77    |    |    |    |    |    |    |
|                               | 8175DC          |            |                                    |                                   |       | 29500                            | 3010  | 1.46    |                                    |                                   |       | 29500                            | 3010               | 1.77    |    |    |    |    |    |    |
|                               | 8185DA          |            |                                    |                                   |       | 41700                            | 4250  | 1.53    |                                    |                                   |       | 41700                            | 4250               | 1.53    |    |    |    |    |    |    |
|                               | 8185DB          |            |                                    |                                   |       | 41700                            | 4250  | 2.29    |                                    |                                   |       | 41700                            | 4250               | 2.76    |    |    |    |    |    |    |
|                               | 8195DA          |            |                                    |                                   |       | 59000                            | 6010  | 2.84    |                                    |                                   |       | 59000                            | 6010               | 2.84    |    |    |    |    |    |    |
| 3                             | 8165DB          | 195        | 7.44                               | 2540                              | 259   | 22100                            | 2250  | 0.83    | 8.97                               | 2110                              | 215   | 22100                            | 2250               | 1.00    | 52 | 58 | 62 | 69 | 75 | 79 |
|                               | 8175DB          |            |                                    |                                   |       | 29500                            | 3010  | 1.24    |                                    |                                   |       | 29500                            | 3010               | 1.20    |    |    |    |    |    |    |
|                               | 8185DA          |            |                                    |                                   |       | 41700                            | 4250  | 1.53    |                                    |                                   |       | 41700                            | 4250               | 1.53    |    |    |    |    |    |    |
|                               | 8185DB          |            |                                    |                                   |       | 41700                            | 4250  | 1.94    |                                    |                                   |       | 41700                            | 4250               | 2.34    |    |    |    |    |    |    |
|                               | 8195DA          |            |                                    |                                   |       | 59000                            | 6010  | 2.51    |                                    |                                   |       | 59000                            | 6010               | 2.84    |    |    |    |    |    |    |
|                               | 8195DB          |            |                                    |                                   |       | 59000                            | 6010  | 2.51    |                                    |                                   |       | 59000                            | 6010               | 3.03    |    |    |    |    |    |    |
| 3                             | 8175DB          | 231        | 6.28                               | 3010                              | 307   | 29500                            | 3010  | 1.05    | 7.58                               | 2500                              | 254   | 29500                            | 3010               | 1.26    | 52 | 58 | 62 | 69 | 75 | 79 |
|                               | 8185DA          |            |                                    |                                   |       | 41700                            | 4250  | 1.53    |                                    |                                   |       | 41700                            | 4250               | 1.53    |    |    |    |    |    |    |
|                               | 8185DB          |            |                                    |                                   |       | 41700                            | 4250  | 1.66    |                                    |                                   |       | 41700                            | 4250               | 2.00    |    |    |    |    |    |    |
|                               | 8195DA          |            |                                    |                                   |       | 59000                            | 6010  | 2.64    |                                    |                                   |       | 59000                            | 6010               | 2.84    |    |    |    |    |    |    |
|                               | 8195DB          |            |                                    |                                   |       | 59000                            | 6010  | 2.64    |                                    |                                   |       | 59000                            | 6010               | 3.19    |    |    |    |    |    |    |
|                               | 8175DB          |            |                                    |                                   |       | 29500                            | 3010  | 0.88    |                                    |                                   |       | 29500                            | 3010               | 1.07    |    |    |    |    |    |    |
| 3                             | 8185DA          | 273        | 5.31                               | 3560                              | 363   | 41700                            | 4250  | 1.40    | 6.41                               | 2950                              | 301   | 41700                            | 4250               | 1.53    | 52 | 58 | 62 | 69 | 75 | 80 |
|                               | 8185DB          |            |                                    |                                   |       | 41700                            | 4250  | 1.40    |                                    |                                   |       | 41700                            | 4250               | 1.70    |    |    |    |    |    |    |
|                               | 8195DA          |            |                                    |                                   |       | 59000                            | 6010  | 1.79    |                                    |                                   |       | 59000                            | 6010               | 2.16    |    |    |    |    |    |    |
|                               | 8195DB          |            |                                    |                                   |       | 59000                            | 6010  | 2.24    |                                    |                                   |       | 59000                            | 6010               | 2.69    |    |    |    |    |    |    |
|                               | 8205DA          |            |                                    |                                   |       | 84100                            | 8570  | 2.35    |                                    |                                   |       | 84100                            | 8570               | 2.66    |    |    |    |    |    |    |
|                               | 8205DB          |            |                                    |                                   |       | 84100                            | 8570  | 2.61    |                                    |                                   |       | 84100                            | 8570               | 3.14    |    |    |    |    |    |    |
| 3                             | 8175DB          | 319        | 4.55                               | 4160                              | 424   | 29500                            | 3010  | *       | 5.49                               | 3450                              | 351   | 29500                            | 3010               | *       | 52 | 58 | 62 | 69 | 75 | 79 |
|                               | 8185DA          |            |                                    |                                   |       | 41700                            | 4250  | 1.20    |                                    |                                   |       | 41700                            | 4250               | 1.45    |    |    |    |    |    |    |
|                               | 8195DA          |            |                                    |                                   |       | 59000                            | 6010  | 1.91    |                                    |                                   |       | 59000                            | 6010               | 2.31    |    |    |    |    |    |    |
|                               | 8205DA          |            |                                    |                                   |       | 84100                            | 8570  | 1.94    |                                    |                                   |       | 84100                            | 8570               | 2.20    |    |    |    |    |    |    |
|                               | 8205DB          |            |                                    |                                   |       | 84100                            | 8570  | 2.22    |                                    |                                   |       | 84100                            | 8570               | 2.68    |    |    |    |    |    |    |
|                               | 8185DA          |            |                                    |                                   |       | 41700                            | 4250  | 1.02    |                                    |                                   |       | 41700                            | 4250               | 1.23    |    |    |    |    |    |    |
| 3                             | 8195DA          | 377        | 3.85                               | 4920                              | 501   | 59000                            | 6010  | 1.62    | 4.64                               | 4070                              | 415   | 59000                            | 6010               | 1.95    | 52 | 58 | 63 | 69 | 75 | 80 |
|                               | 8205DA          |            |                                    |                                   |       | 84100                            | 8570  | 1.74    |                                    |                                   |       | 84100                            | 8570               | 1.97    |    |    |    |    |    |    |
|                               | 8205DB          |            |                                    |                                   |       | 84100                            | 8570  | 1.88    |                                    |                                   |       | 84100                            | 8570               | 2.27    |    |    |    |    |    |    |
|                               | 8215DA          |            |                                    |                                   |       | 104000                           | 10600 | 2.57    |                                    |                                   |       | 104000                           | 10600              | 3.11    |    |    |    |    |    |    |
| 3                             | 8185DA          | 473        | 3.07                               | 6170                              | 629   | 41700                            | 4250  | 0.81    | 3.70                               | 5110                              | 521   | 41700                            | 4250               | 0.98    | 52 | 58 | 62 | 69 | 75 | 80 |
|                               | 8195DA          |            |                                    |                                   |       | 59000                            | 6010  | 1.29    |                                    |                                   |       | 59000                            | 6010               | 1.56    |    |    |    |    |    |    |
|                               | 8205DA          |            |                                    |                                   |       | 84100                            | 8570  | 1.34    |                                    |                                   |       | 84100                            | 8570               | 1.52    |    |    |    |    |    |    |
|                               | 8205DB          |            |                                    |                                   |       | 84100                            | 8570  | 1.51    |                                    |                                   |       | 84100                            | 8570               | 1.82    |    |    |    |    |    |    |
|                               | 8215DA          |            |                                    |                                   |       | 104000                           | 10600 | 2.05    |                                    |                                   |       | 104000                           | 10600              | 2.48    |    |    |    |    |    |    |
|                               | 8225DA          |            |                                    |                                   |       | 145000                           | 14800 | 2.59    |                                    |                                   |       | 145000                           | 14800              | 3.13    |    |    |    |    |    |    |

\* Frame sizes in Blue are the recommended models for 24 hours/day with uniform load. 均勻負載下，減速機連續使用 24 小時，建議使用標註藍色型號或更大型號。

# Service Factor 安全係數表

|                |                |      |     |      |      |
|----------------|----------------|------|-----|------|------|
| 2.2 kW<br>3 HP | Hz             | 50Hz |     | 60Hz |      |
|                | Pole           | 4    | 6   | 4    | 6    |
|                | n <sub>1</sub> | 1450 | 980 | 1750 | 1165 |

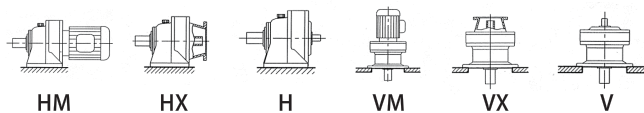


| Model 型式                     |                | 50Hz      |                                |                                   |      |                                  | 60Hz  |         |                                |                                   |      | Dimension Page 頁數①               |       |         |       |        |       |    |    |    |    |     |    |    |
|------------------------------|----------------|-----------|--------------------------------|-----------------------------------|------|----------------------------------|-------|---------|--------------------------------|-----------------------------------|------|----------------------------------|-------|---------|-------|--------|-------|----|----|----|----|-----|----|----|
| Input Capacity Symbol 馬力 編號② | Frame Size 型號③ | Ratio 速比④ | Output Speed 轉速 n <sub>2</sub> | Output Torque 扭矩 T <sub>out</sub> |      | Allowable Radial Load 應許徑向負載 Pro |       | SF 安全係數 | Output Speed 轉速 n <sub>2</sub> | Output Torque 扭矩 T <sub>out</sub> |      | Allowable Radial Load 應許徑向負載 Pro |       | SF 安全係數 | HM    | HX     | H     | VM | VX | V  |    |     |    |    |
|                              |                |           |                                | rpm                               | N.m  | Kgf.m                            | N     |         |                                | kgf                               | rpm  | N.m                              | Kgf.m |         |       |        |       |    |    |    | N  | kgf |    |    |
| 3                            | 8195DA         | 493       | 2.94                           | 6430                              | 655  | 59000                            | 6010  | 1.24    | 3.55                           | 5330                              | 543  | 59000                            | 6010  | 1.49    | 52    | 58     | 63    | 69 | 75 | 80 |    |     |    |    |
|                              | 8205DA         |           |                                |                                   |      | 84100                            | 8570  | 1.44    |                                |                                   |      | 84100                            | 8570  | 1.66    | 52    | 58     | 63    | 69 | 75 | 80 |    |     |    |    |
|                              | 8215DA         |           |                                |                                   |      | 104000                           | 10600 | 1.98    |                                |                                   |      | 104000                           | 10600 | 2.38    | 52    | 58     | 63    | 69 | 75 | 80 |    |     |    |    |
|                              | 8225DA         |           |                                |                                   |      | 145000                           | 14800 | 2.33    |                                |                                   |      | 145000                           | 14800 | 2.81    | 52    | 58     | 63    | 69 | 75 | 80 |    |     |    |    |
|                              | 8235DA         |           |                                |                                   |      | 179000                           | 18200 | 2.94    |                                |                                   |      | 179000                           | 18200 | 3.55    | 52    | 58     | 63    | 69 | 75 | 80 |    |     |    |    |
| 3                            | 8195DA         | 559       | 2.59                           | 7290                              | 743  | 59000                            | 6010  | 1.09    | 3.13                           | 6040                              | 616  | 59000                            | 6010  | 1.32    | 52    | 58     | 63    | 69 | 75 | 80 |    |     |    |    |
|                              | 8205DA         |           |                                |                                   |      | 84100                            | 8570  | 1.20    |                                |                                   |      | 84100                            | 8570  | 1.36    | 52    | 58     | 63    | 69 | 75 | 80 |    |     |    |    |
|                              | 8205DB         |           |                                |                                   |      | 84100                            | 8570  | 1.28    |                                |                                   |      | 84100                            | 8570  | 1.54    | 52    | 58     | 63    | 69 | 75 | 80 |    |     |    |    |
|                              | 8215DA         |           |                                |                                   |      | 104000                           | 10600 | 1.74    |                                |                                   |      | 104000                           | 10600 | 2.09    | 52    | 58     | 63    | 69 | 75 | 80 |    |     |    |    |
|                              | 8225DA         |           |                                |                                   |      | 145000                           | 14800 | 2.19    |                                |                                   |      | 145000                           | 14800 | 2.65    | 52    | 58     | 63    | 69 | 75 | 80 |    |     |    |    |
| 3                            | 8235DA         | 649       | 2.23                           | 8460                              | 863  | 179000                           | 18200 | 2.81    | 2.70                           | 7010                              | 715  | 179000                           | 18200 | 3.39    | 52    | 58     | 63    | 69 | 75 | 80 |    |     |    |    |
|                              | 8195DA         |           |                                |                                   |      | 58000                            | 5910  | 0.94    |                                |                                   |      | 58400                            | 5950  | 1.14    | 52    | 58     | 63    | 69 | 75 | 80 |    |     |    |    |
|                              | 8205DA         |           |                                |                                   |      | 84100                            | 8570  | 0.98    |                                |                                   |      | 84100                            | 8570  | 1.11    | 52    | 58     | 63    | 69 | 75 | 80 |    |     |    |    |
|                              | 8205DB         |           |                                |                                   |      | 84100                            | 8570  | 1.10    |                                |                                   |      | 84100                            | 8570  | 1.33    | 52    | 58     | 63    | 69 | 75 | 80 |    |     |    |    |
|                              | 8215DA         |           |                                |                                   |      | 104000                           | 10600 | 1.49    |                                |                                   |      | 104000                           | 10600 | 1.80    | 52    | 58     | 63    | 69 | 75 | 80 |    |     |    |    |
| 3                            | 8225DA         | 731       | 1.98                           | 9530                              | 972  | 145000                           | 14800 | 1.68    | 2.39                           | 7900                              | 805  | 145000                           | 14800 | 2.03    | 52    | 58     | 63    | 69 | 75 | 80 |    |     |    |    |
|                              | 8235DA         |           |                                |                                   |      | 179000                           | 18200 | 2.15    |                                |                                   |      | 179000                           | 18200 | 2.60    | 52    | 58     | 63    | 69 | 75 | 80 |    |     |    |    |
|                              | 8245DA         |           |                                |                                   |      | 208000                           | 21200 | 2.71    |                                |                                   |      | 208000                           | 21200 | 3.27    | 52    | 58     | 63    | 69 | 75 | 80 |    |     |    |    |
|                              | 8195DA         |           |                                |                                   |      | 7960                             | 811   | *       |                                |                                   |      | 7960                             | 811   | *       | 52    | 58     | 63    | 69 | 75 | 80 |    |     |    |    |
|                              | 8205DA         |           |                                |                                   |      | 84100                            | 8570  | 0.84    |                                |                                   |      | 84100                            | 8570  | 1.02    | 52    | 58     | 63    | 69 | 75 | 80 |    |     |    |    |
| 3                            | 8215DA         | 841       | 1.72                           | 11000                             | 1120 | 104000                           | 10600 | 1.15    | 2.08                           | 9090                              | 926  | 104000                           | 10600 | 1.39    | 52    | 58     | 63    | 69 | 75 | 80 |    |     |    |    |
|                              | 8225DA         |           |                                |                                   |      | 145000                           | 14800 | 1.37    |                                |                                   |      | 145000                           | 14800 | 1.65    | 52    | 58     | 63    | 69 | 75 | 80 |    |     |    |    |
|                              | 8235DA         |           |                                |                                   |      | 179000                           | 18200 | 1.72    |                                |                                   |      | 179000                           | 18200 | 2.08    | 52    | 58     | 63    | 69 | 75 | 80 |    |     |    |    |
|                              | 8245DA         |           |                                |                                   |      | 208000                           | 21200 | 2.35    |                                |                                   |      | 208000                           | 21200 | 2.84    | 52    | 58     | 63    | 69 | 75 | 80 |    |     |    |    |
|                              | 8195DA         |           |                                |                                   |      | 7960                             | 811   | 58100   |                                |                                   |      | 5930                             | *     | 7960    | 811   | 58100  | 5930  | *  | 52 | 58 | 63 | 69  | 75 | 80 |
| 3                            | 8205DA         | 1003      | 1.45                           | 9300                              | 948  | 84100                            | 8570  | *       | 1.74                           | 9060                              | 923  | 84100                            | 8570  | *       | 52    | 58     | 63    | 69 | 75 | 80 |    |     |    |    |
|                              | 8215DA         |           |                                |                                   |      | 104000                           | 10600 | 0.97    |                                |                                   |      | 104000                           | 10600 | 1.17    | 52    | 58     | 63    | 69 | 75 | 80 |    |     |    |    |
|                              | 8225DA         |           |                                |                                   |      | 145000                           | 14800 | 1.21    |                                |                                   |      | 145000                           | 14800 | 1.46    | 52    | 58     | 63    | 69 | 75 | 80 |    |     |    |    |
|                              | 8235DA         |           |                                |                                   |      | 179000                           | 18200 | 1.57    |                                |                                   |      | 179000                           | 18200 | 1.89    | 52    | 58     | 63    | 69 | 75 | 80 |    |     |    |    |
|                              | 8245DA         |           |                                |                                   |      | 208000                           | 21200 | 1.97    |                                |                                   |      | 208000                           | 21200 | 2.38    | 52    | 58     | 63    | 69 | 75 | 80 |    |     |    |    |
| 3                            | 8215DA         | 1247      | 1.16                           | 12700                             | 1290 | 104000                           | 10600 | *       | 1.40                           | 12700                             | 1290 | 104000                           | 10600 | *       | 52    | 58     | 63    | 69 | 75 | 80 |    |     |    |    |
|                              | 8225DA         |           |                                |                                   |      | 145000                           | 14800 | 0.98    |                                |                                   |      | 145000                           | 14800 | 1.19    | 52    | 58     | 63    | 69 | 75 | 80 |    |     |    |    |
|                              | 8235DA         |           |                                |                                   |      | 163000                           | 16600 | 1.26    |                                |                                   |      | 163000                           | 16600 | 1.52    | 52    | 58     | 63    | 69 | 75 | 80 |    |     |    |    |
|                              | 8245DA         |           |                                |                                   |      | 208000                           | 21200 | 1.59    |                                |                                   |      | 208000                           | 21200 | 1.91    | 52    | 58     | 63    | 69 | 75 | 80 |    |     |    |    |
|                              | 8195DA         |           |                                |                                   |      | 11300                            | 1150  | 104000  |                                |                                   |      | 10600                            | *     | 11300   | 1150  | 104000 | 10600 | *  | 52 | 58 | 63 | 69  | 75 | 80 |
| 3                            | 8225DA         | 1479      | 0.980                          | 15100                             | 1540 | 145000                           | 14800 | *       | 1.18                           | 15100                             | 1540 | 145000                           | 14800 | *       | 52    | 58     | 63    | 69 | 75 | 80 |    |     |    |    |
|                              | 8235DA         |           |                                |                                   |      | 179000                           | 18200 | 0.89    |                                |                                   |      | 179000                           | 18200 | 1.07    | 52    | 58     | 63    | 69 | 75 | 80 |    |     |    |    |
|                              | 8245DA         |           |                                |                                   |      | 208000                           | 21200 | 1.17    |                                |                                   |      | 208000                           | 21200 | 1.42    | 52    | 58     | 63    | 69 | 75 | 80 |    |     |    |    |
|                              | 8225DA         |           |                                |                                   |      | 16000                            | 1630  | 145000  |                                |                                   |      | 14800                            | *     | 16000   | 1630  | 145000 | 14800 | *  | 52 | 58 | 63 | 69  | 75 | 80 |
|                              | 8235DA         |           |                                |                                   |      | 179000                           | 18200 | 0.85    |                                |                                   |      | 179000                           | 18200 | 1.03    | 52    | 58     | 63    | 69 | 75 | 80 |    |     |    |    |
| 3                            | 8245DA         | 1849      | 0.784                          | 24100                             | 2460 | 208000                           | 21200 | 1.07    | 0.946                          | 20000                             | 2040 | 208000                           | 21200 | 1.29    | 52    | 58     | 63    | 69 | 75 | 80 |    |     |    |    |
|                              | 8225DA         |           |                                |                                   |      | 159000                           | 16200 | 145000  |                                |                                   |      | 14800                            | *     | 159000  | 16200 | 145000 | 14800 | *  | 52 | 58 | 63 | 69  | 75 | 80 |
|                              | 8235DA         |           |                                |                                   |      | 205000                           | 20900 | 179000  |                                |                                   |      | 18200                            | *     | 205000  | 20900 | 179000 | 18200 | *  | 52 | 58 | 63 | 69  | 75 | 80 |
| 3                            | 8245DA         | 2065      | 0.702                          | 26900                             | 2750 | 208000                           | 21200 | 0.96    | 0.847                          | 22300                             | 2270 | 208000                           | 21200 | 1.16    | 52    | 58     | 63    | 69 | 75 | 80 |    |     |    |    |

※ Frame sizes in Blue are the recommended models for 24 hours/day with uniform load. 均勻負載下，減速機連續使用 24 小時，建議使用標註藍色型號或更大型號。

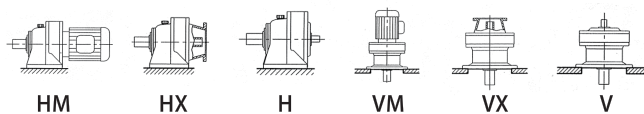
# Service Factor 安全係數表

|                |                |      |     |      |      |
|----------------|----------------|------|-----|------|------|
| 2.2 kW<br>3 HP | Hz             | 50Hz |     | 60Hz |      |
|                | Pole           | 4    | 6   | 4    | 6    |
|                | n <sub>1</sub> | 1450 | 980 | 1750 | 1165 |



| Model 型式                      |                  |            | 50Hz                               |                                   |       |                                  |       |         | 60Hz                               |                                   |       |                                  |       |         | Dimension Page 頁數① |    |    |    |    |    |
|-------------------------------|------------------|------------|------------------------------------|-----------------------------------|-------|----------------------------------|-------|---------|------------------------------------|-----------------------------------|-------|----------------------------------|-------|---------|--------------------|----|----|----|----|----|
| Input Capacity Symbol 馬力 編號 ② | Frame Size 型號 ③  | Ratio 速比 ④ | Output Speed 轉速 n <sub>2</sub> rpm | Output Torque 扭矩 T <sub>out</sub> |       | Allowable Radial Load 應許徑向負載 Pro |       | SF 安全係數 | Output Speed 轉速 n <sub>2</sub> rpm | Output Torque 扭矩 T <sub>out</sub> |       | Allowable Radial Load 應許徑向負載 Pro |       | SF 安全係數 | HM                 | HX | H  | VM | VX | V  |
|                               |                  |            |                                    | N.m                               | Kgf.m | N                                | kgf   |         |                                    | N.m                               | Kgf.m | N                                | kgf   |         |                    |    |    |    |    |    |
| 3                             | 8235DA<br>8245DA | 2537       | 0.572                              | 20500                             | 2090  | 179000                           | 18200 | *       | 0.690                              | 20500                             | 2090  | 179000                           | 18200 | *       | 52                 | 58 | 63 | 69 | 75 | 80 |
|                               |                  |            |                                    | 25800                             | 2630  | 208000                           | 21200 | *       |                                    | 25800                             | 2630  | 208000                           | 21200 | *       | 52                 | 58 | 63 | 69 | 75 | 80 |
| 3                             | 8235DA<br>8245DA | 3045       | 0.476                              | 17200                             | 1750  | 179000                           | 18200 | *       | 0.575                              | 17200                             | 1750  | 179000                           | 18200 | *       | 52                 | 58 | 63 | 69 | 75 | 80 |
|                               |                  |            |                                    | 22600                             | 2310  | 208000                           | 21200 | *       |                                    | 22600                             | 2310  | 208000                           | 21200 | *       | 52                 | 58 | 63 | 69 | 75 | 80 |
| 3                             | 8235DA<br>8245DA | 3481       | 0.417                              | 20500                             | 2090  | 179000                           | 18200 | *       | 0.503                              | 20500                             | 2090  | 179000                           | 18200 | *       | 52                 | 58 | 63 | 69 | 75 | 80 |
|                               |                  |            |                                    | 25800                             | 2630  | 208000                           | 21200 | *       |                                    | 25800                             | 2630  | 208000                           | 21200 | *       | 52                 | 58 | 63 | 69 | 75 | 80 |
| 3                             | 8235DA<br>8245DA | 4437       | 0.327                              | 17200                             | 1750  | 179000                           | 18200 | *       | 0.394                              | 17200                             | 1750  | 179000                           | 18200 | *       | 52                 | 58 | 63 | 69 | 75 | 80 |
|                               |                  |            |                                    | 22600                             | 2310  | 208000                           | 21200 | *       |                                    | 22600                             | 2310  | 208000                           | 21200 | *       | 52                 | 58 | 63 | 69 | 75 | 80 |
| 3                             | 8235DA<br>8245DA | 5133       | 0.282                              | 20500                             | 2090  | 179000                           | 18200 | *       | 0.341                              | 20500                             | 2090  | 179000                           | 18200 | *       | 52                 | 58 | 63 | 69 | 75 | 80 |
|                               |                  |            |                                    | 25800                             | 2630  | 208000                           | 21200 | *       |                                    | 25800                             | 2630  | 208000                           | 21200 | *       | 52                 | 58 | 63 | 69 | 75 | 80 |
| 3                             | 8235DA<br>8245DA | 6177       | 0.235                              | 17200                             | 1750  | 179000                           | 18200 | *       | 0.283                              | 17200                             | 1750  | 179000                           | 18200 | *       | 52                 | 58 | 63 | 69 | 75 | 80 |
|                               |                  |            |                                    | 22600                             | 2310  | 208000                           | 21200 | *       |                                    | 22600                             | 2310  | 208000                           | 21200 | *       | 52                 | 58 | 63 | 69 | 75 | 80 |
| 3                             | 8235DA<br>8245DA | 7569       | 0.192                              | 17200                             | 1750  | 179000                           | 18200 | *       | 0.231                              | 17200                             | 1750  | 179000                           | 18200 | *       | 52                 | 58 | 63 | 69 | 75 | 80 |
|                               |                  |            |                                    | 22600                             | 2310  | 208000                           | 21200 | *       |                                    | 22600                             | 2310  | 208000                           | 21200 | *       | 52                 | 58 | 63 | 69 | 75 | 80 |

|                |                |      |     |      |      |
|----------------|----------------|------|-----|------|------|
| 3.7 kW<br>5 HP | Hz             | 50Hz |     | 60Hz |      |
|                | Pole           | 4    | 6   | 4    | 6    |
|                | n <sub>1</sub> | 1450 | 980 | 1750 | 1165 |



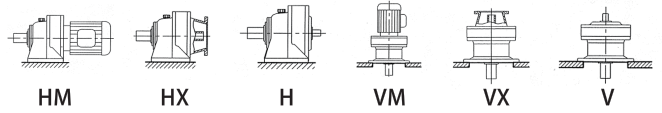
| Model 型式                      |                 |            | 50Hz                               |                                   |       |                                  |       |         | 60Hz                               |                                   |       |                                  |      |         | Dimension Page 頁數① |    |    |    |    |    |
|-------------------------------|-----------------|------------|------------------------------------|-----------------------------------|-------|----------------------------------|-------|---------|------------------------------------|-----------------------------------|-------|----------------------------------|------|---------|--------------------|----|----|----|----|----|
| Input Capacity Symbol 馬力 編號 ② | Frame Size 型號 ③ | Ratio 速比 ④ | Output Speed 轉速 n <sub>2</sub> rpm | Output Torque 扭矩 T <sub>out</sub> |       | Allowable Radial Load 應許徑向負載 Pro |       | SF 安全係數 | Output Speed 轉速 n <sub>2</sub> rpm | Output Torque 扭矩 T <sub>out</sub> |       | Allowable Radial Load 應許徑向負載 Pro |      | SF 安全係數 | HM                 | HX | H  | VM | VX | V  |
|                               |                 |            |                                    | N.m                               | Kgf.m | N                                | kgf   |         |                                    | N.m                               | Kgf.m | N                                | kgf  |         |                    |    |    |    |    |    |
| 5                             | 8125<br>8135    | 6          | 242                                | 139                               | 14.2  | 5210                             | 531   | 1.88    | 292                                | 115                               | 11.7  | 4320                             | 440  | 1.06    | 47                 | 55 | 61 | 64 | 72 | 78 |
|                               |                 |            |                                    | 6120                              | 624   | 2.54                             | 5760  | 587     |                                    | 2.54                              | 47    | 55                               | 61   | 64      | 72                 | 78 |    |    |    |    |
| 5                             | 8125<br>8135    | 8          | 181                                | 185                               | 18.9  | 5800                             | 591   | 1.88    | 219                                | 153                               | 15.6  | 5470                             | 557  | 1.88    | 47                 | 55 | 61 | 64 | 72 | 78 |
|                               |                 |            |                                    | 6820                              | 695   | 2.54                             | 6420  | 655     |                                    | 2.54                              | 47    | 55                               | 61   | 64      | 72                 | 78 |    |    |    |    |
| 5                             | 8125<br>8135    | 11         | 132                                | 255                               | 26.0  | 6580                             | 670   | 1.60    | 159                                | 211                               | 21.5  | 6200                             | 632  | 1.60    | 47                 | 55 | 61 | 64 | 72 | 78 |
|                               |                 |            |                                    | 7770                              | 792   | 2.54                             | 7320  | 746     |                                    | 2.54                              | 47    | 55                               | 61   | 64      | 72                 | 78 |    |    |    |    |
| 5                             | 8125<br>8135    | 13         | 112                                | 301                               | 30.7  | 6780                             | 824   | 1.60    | 135                                | 249                               | 25.4  | 6400                             | 652  | 1.60    | 47                 | 55 | 61 | 64 | 72 | 78 |
|                               |                 |            |                                    | 8080                              | 824   | 2.54                             | 7620  | 776     |                                    | 2.54                              | 47    | 55                               | 61   | 64      | 72                 | 78 |    |    |    |    |
| 5                             | 8125<br>8135    | 15         | 96.7                               | 347                               | 35.4  | 7260                             | 741   | 1.60    | 117                                | 288                               | 29.3  | 6860                             | 699  | 1.60    | 47                 | 55 | 61 | 64 | 72 | 78 |
|                               |                 |            |                                    | 8250                              | 841   | 2.42                             | 7770  | 792     |                                    | 2.42                              | 47    | 55                               | 61   | 64      | 72                 | 78 |    |    |    |    |
| 5                             | 8125<br>8135    | 17         | 85.3                               | 394                               | 40.1  | 7320                             | 747   | 1.53    | 103                                | 326                               | 33.2  | 6920                             | 705  | 1.53    | 47                 | 55 | 61 | 64 | 72 | 78 |
|                               |                 |            |                                    | 8850                              | 902   | 2.24                             | 8340  | 850     |                                    | 2.24                              | 47    | 55                               | 61   | 64      | 72                 | 78 |    |    |    |    |
| 5                             | 8125<br>8145    | 21         | 69.0                               | 486                               | 49.6  | 8010                             | 816   | 1.29    | 83.3                               | 403                               | 41.1  | 7570                             | 772  | 1.32    | 47                 | 55 | 61 | 64 | 72 | 78 |
|                               |                 |            |                                    | 9440                              | 962   | 1.82                             | 8900  | 908     |                                    | 2.04                              | 47    | 55                               | 61   | 64      | 72                 | 78 |    |    |    |    |
| 5                             | 8125<br>8145    | 25         | 58.0                               | 579                               | 59.0  | 8350                             | 851   | 1.07    | 70.0                               | 480                               | 48.9  | 7900                             | 806  | 1.07    | 47                 | 55 | 61 | 64 | 72 | 78 |
|                               |                 |            |                                    | 9790                              | 998   | 1.55                             | 9240  | 942     |                                    | 1.61                              | 47    | 55                               | 61   | 64      | 72                 | 78 |    |    |    |    |
| 5                             | 8145<br>8165    | 25         | 58.0                               | 579                               | 59.0  | 14600                            | 1490  | 2.14    | 70.0                               | 480                               | 48.9  | 13800                            | 1410 | 2.14    | 47                 | 55 | 61 | 64 | 72 | 78 |
|                               |                 |            |                                    | 17200                             | 1760  | 2.66                             | 16200 | 1650    |                                    | 2.66                              | 47    | 55                               | 61   | 64      | 72                 | 78 |    |    |    |    |

\* Frame sizes in Blue are the recommended models for 24 hours/day with uniform load. 均勻負載下，減速機連續使用 24 小時，建議使用標註藍色型號或更大型號。



# Service Factor 安全係數表

|                |                |      |     |      |      |
|----------------|----------------|------|-----|------|------|
| 3.7 kW<br>5 HP | Hz             | 50Hz |     | 60Hz |      |
|                | Pole           | 4    | 6   | 4    | 6    |
|                | n <sub>1</sub> | 1450 | 980 | 1750 | 1165 |

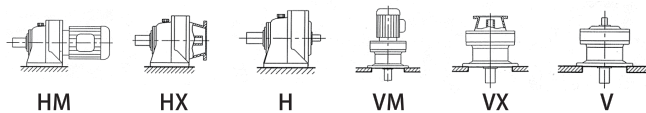


| Model 型式                      |                 |            | 50Hz                               |                                   |       |                                  |       |         | 60Hz                               |                                   |       |                                  |        |         | Dimension Page 頁數① |    |    |    |    |    |       |      |
|-------------------------------|-----------------|------------|------------------------------------|-----------------------------------|-------|----------------------------------|-------|---------|------------------------------------|-----------------------------------|-------|----------------------------------|--------|---------|--------------------|----|----|----|----|----|-------|------|
| Input Capacity Symbol 馬力 編號 ② | Frame Size 型號 ③ | Ratio 速比 ④ | Output Speed 轉速 n <sub>2</sub> rpm | Output Torque 扭矩 T <sub>out</sub> |       | Allowable Radial Load 應許徑向負載 Pro |       | SF 安全係數 | Output Speed 轉速 n <sub>2</sub> rpm | Output Torque 扭矩 T <sub>out</sub> |       | Allowable Radial Load 應許徑向負載 Pro |        | SF 安全係數 | HM                 | HX | H  | VM | VX | V  |       |      |
|                               |                 |            |                                    | N.m                               | Kgf.m | N                                | kgf   |         |                                    | N.m                               | Kgf.m | N                                | kgf    |         |                    |    |    |    |    |    |       |      |
|                               |                 |            |                                    |                                   |       |                                  |       |         |                                    |                                   |       |                                  |        |         |                    |    |    |    |    |    |       |      |
| 5                             | 8125            | 29         | 50.0                               | 671                               | 68.4  | 8640                             | 880   | 0.94    | 60.3                               | 556                               | 56.7  | 8180                             | 834    | 1.02    | 47                 | 55 | 61 | 64 | 72 | 78 |       |      |
|                               | 8135            |            |                                    |                                   |       | 10300                            | 1050  |         |                                    |                                   |       | 1.32                             | 9700   |         |                    |    |    |    |    |    | 989   | 1.52 |
|                               | 8145            |            |                                    |                                   |       | 14900                            | 1520  |         |                                    |                                   |       | 2.04                             | 14200  |         |                    |    |    |    |    |    | 1440  | 2.04 |
| 5                             | 8165            | 35         | 41.4                               | 810                               | 82.6  | 18000                            | 1830  | 2.58    | 50.0                               | 671                               | 68.4  | 16900                            | 1730   | 2.84    | 47                 | 55 | 61 | 64 | 72 | 78 |       |      |
|                               | 8135            |            |                                    |                                   |       | 10800                            | 1100  |         |                                    |                                   |       | 1.11                             | 10200  |         |                    |    |    |    |    |    | 1040  | 1.15 |
|                               | 8145            |            |                                    |                                   |       | 16000                            | 1630  |         |                                    |                                   |       | 1.69                             | 15100  |         |                    |    |    |    |    |    | 1540  | 2.04 |
| 5                             | 8165            | 43         | 33.7                               | 995                               | 101   | 19100                            | 1940  | 2.59    | 40.7                               | 825                               | 84.1  | 17900                            | 1830   | 3.08    | 47                 | 55 | 61 | 64 | 72 | 78 |       |      |
|                               | 8135            |            |                                    |                                   |       | 11500                            | 1170  |         |                                    |                                   |       | 0.91                             | 10900  |         |                    |    |    |    |    |    | 1110  | 1.02 |
|                               | 8145            |            |                                    |                                   |       | 16000                            | 1630  |         |                                    |                                   |       | 1.26                             | 15800  |         |                    |    |    |    |    |    | 1610  | 1.46 |
| 5                             | 8165            | 51         | 28.4                               | 1180                              | 120   | 20300                            | 2070  | 2.11    | 34.3                               | 978                               | 99.7  | 19200                            | 1950   | 2.14    | 47                 | 55 | 61 | 64 | 72 | 78 |       |      |
|                               | 8175            |            |                                    |                                   |       | 23000                            | 2350  |         |                                    |                                   |       | 2.45                             | 21700  |         |                    |    |    |    |    |    | 2210  | 2.64 |
|                               | 8145            |            |                                    |                                   |       | 16000                            | 1630  |         |                                    |                                   |       | 1.00                             | 16000  |         |                    |    |    |    |    |    | 1630  | 1.14 |
| 5                             | 8165            | 59         | 24.6                               | 1370                              | 139   | 24000                            | 2440  | 2.67    | 29.7                               | 1130                              | 115   | 22600                            | 2300   | 3.05    | 47                 | 55 | 61 | 64 | 72 | 78 |       |      |
|                               | 8145            |            |                                    |                                   |       | 16000                            | 1630  |         |                                    |                                   |       | 0.86                             | 16000  |         |                    |    |    |    |    |    | 1630  | 0.98 |
|                               | 8165            |            |                                    |                                   |       | 22100                            | 2250  |         |                                    |                                   |       | 1.54                             | 22100  |         |                    |    |    |    |    |    | 2250  | 1.55 |
| 5                             | 8175            | 71         | 20.4                               | 1640                              | 168   | 25100                            | 2560  | 2.24    | 24.6                               | 1360                              | 139   | 23700                            | 2410   | 2.24    | 47                 | 55 | 61 | 64 | 72 | 78 |       |      |
|                               | 8185            |            |                                    |                                   |       | 33600                            | 3430  |         |                                    |                                   |       | 2.64                             | 31600  |         |                    |    |    |    |    |    | 3220  | 2.64 |
|                               | 8165            |            |                                    |                                   |       | 22100                            | 2250  |         |                                    |                                   |       | 1.28                             | 21900  |         |                    |    |    |    |    |    | 2240  | 1.53 |
| 5                             | 8185            | 87         | 16.7                               | 2010                              | 205   | 26500                            | 2710  | 1.89    | 20.1                               | 1670                              | 170   | 25000                            | 2550   | 1.93    | 47                 | -  | 61 | 64 | 72 | 78 |       |      |
|                               | 8165            |            |                                    |                                   |       | 21800                            | 2230  |         |                                    |                                   |       | 1.02                             | 21800  |         |                    |    |    |    |    |    | 2220  | 1.05 |
|                               | 8175            |            |                                    |                                   |       | 28400                            | 2890  |         |                                    |                                   |       | 1.52                             | 26800  |         |                    |    |    |    |    |    | 2730  | 1.52 |
| 5                             | 8185            | 104        | 13.9                               | 2280                              | 233   | 38400                            | 3920  | 2.32    | 16.8                               | 1890                              | 193   | 36200                            | 3690   | 2.32    | 47                 | -  | 61 | 64 | 72 | 78 |       |      |
|                               | 8165DC          |            |                                    |                                   |       | 22100                            | 2250  |         |                                    |                                   |       | 0.92                             | 22100  |         |                    |    |    |    |    |    | 2250  | 1.11 |
|                               | 8175DC          |            |                                    |                                   |       | 29500                            | 3010  |         |                                    |                                   |       | 1.38                             | 29000  |         |                    |    |    |    |    |    | 2960  | 1.67 |
| 5                             | 8185DB          | 121        | 12.0                               | 2650                              | 271   | 40900                            | 4170  | 2.15    | 14.5                               | 2200                              | 224   | 38500                            | 3930   | 2.59    | 52                 | 59 | 62 | 69 | 76 | 80 |       |      |
|                               | 8195DB          |            |                                    |                                   |       | 57200                            | 5830  |         |                                    |                                   |       | 2.80                             | 53800  |         |                    |    |    |    |    |    | 5490  | 3.22 |
|                               | 8165DC          |            |                                    |                                   |       | 2100                             | 214   |         |                                    |                                   |       | 22100                            | 2250   |         |                    |    |    |    |    |    | *     | 2100 |
| 5                             | 8175DC          | 143        | 10.1                               | 3140                              | 320   | 29500                            | 3010  | 1.00    | 12.2                               | 2600                              | 265   | 29500                            | 3010   | 1.21    | 52                 | 59 | 62 | 69 | 76 | 79 |       |      |
|                               | 8185DB          |            |                                    |                                   |       | 41700                            | 4250  |         |                                    |                                   |       | 1.81                             | 41000  |         |                    |    |    |    |    |    | 4180  | 2.19 |
|                               | 8195DB          |            |                                    |                                   |       | 59000                            | 6010  |         |                                    |                                   |       | 2.86                             | 57300  |         |                    |    |    |    |    |    | 5840  | 3.22 |
| 5                             | 8195DA          | 165        | 8.79                               | 3620                              | 369   | 29500                            | 3010  | 0.87    | 10.6                               | 3000                              | 306   | 29500                            | 3010   | 1.05    | 52                 | 59 | 62 | 69 | 76 | 79 |       |      |
|                               | 8185DB          |            |                                    |                                   |       | 41700                            | 4250  |         |                                    |                                   |       | 1.36                             | 41700  |         |                    |    |    |    |    |    | 4250  | 1.64 |
|                               | 8195DA          |            |                                    |                                   |       | 59000                            | 6010  |         |                                    |                                   |       | 1.69                             | 59000  |         |                    |    |    |    |    |    | 6010  | 1.69 |
| 5                             | 8195DB          | 195        | 7.44                               | 4280                              | 436   | 59000                            | 6010  | 1.69    | 8.97                               | 3540                              | 361   | 59000                            | 6010   | 1.69    | 52                 | 59 | 63 | 69 | 76 | 80 |       |      |
|                               | 8205DB          |            |                                    |                                   |       | 59000                            | 6010  |         |                                    |                                   |       | 2.19                             | 59000  |         |                    |    |    |    |    |    | 6010  | 2.64 |
|                               | 8175DC          |            |                                    |                                   |       | 29500                            | 3010  |         |                                    |                                   |       | *                                | 29500  |         |                    |    |    |    |    |    | 3010  | *    |
| 5                             | 8185DB          | 195        | 7.44                               | 4280                              | 436   | 41700                            | 4250  | 1.15    | 8.97                               | 3540                              | 361   | 41700                            | 4250   | 1.39    | 52                 | 59 | 62 | 69 | 76 | 80 |       |      |
|                               | 8195DA          |            |                                    |                                   |       | 59000                            | 6010  |         |                                    |                                   |       | 1.69                             | 59000  |         |                    |    |    |    |    |    | 6010  | 1.69 |
|                               | 8195DB          |            |                                    |                                   |       | 59000                            | 6010  |         |                                    |                                   |       | 1.85                             | 59000  |         |                    |    |    |    |    |    | 6010  | 2.23 |
| 5                             | 8205DB          | 195        | 7.44                               | 4280                              | 436   | 84100                            | 8570  | 2.17    | 8.97                               | 3540                              | 361   | 84100                            | 8570   | 2.62    | 52                 | 59 | 63 | 69 | 76 | 80 |       |      |
|                               | 8215DA          |            |                                    |                                   |       | 104000                           | 10600 |         |                                    |                                   |       | 2.85                             | 104000 |         |                    |    |    |    |    |    | 10600 | 3.22 |
|                               | 8215DB          |            |                                    |                                   |       | 104000                           | 10600 |         |                                    |                                   |       | 2.85                             | 104000 |         |                    |    |    |    |    |    | 10600 | 3.43 |
| 5                             | 8225DA          | 195        | 7.44                               | 4280                              | 436   | 131000                           | 13400 | 2.92    | 8.97                               | 3540                              | 361   | 124000                           | 12600  | 3.22    | 52                 | 59 | 63 | 69 | 76 | 80 |       |      |
|                               | 8215DA          |            |                                    |                                   |       | 104000                           | 10600 |         |                                    |                                   |       | 2.85                             | 104000 |         |                    |    |    |    |    |    | 10600 | 3.22 |
|                               | 8215DB          |            |                                    |                                   |       | 104000                           | 10600 |         |                                    |                                   |       | 2.85                             | 104000 |         |                    |    |    |    |    |    | 10600 | 3.43 |

※ Frame sizes in Blue are the recommended models for 24 hours/day with uniform load. 均勻負載下，減速機連續使用 24 小時，建議使用標註藍色型號或更大型號。

# Service Factor 安全係數表

|                |                |      |     |      |      |
|----------------|----------------|------|-----|------|------|
| 3.7 kW<br>5 HP | Hz             | 50Hz |     | 60Hz |      |
|                | Pole           | 4    | 6   | 4    | 6    |
|                | n <sub>1</sub> | 1450 | 980 | 1750 | 1165 |

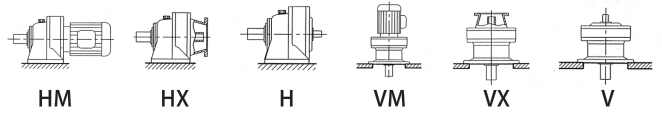


| Model 型式                     |                 |            | 50Hz                               |   |                                  |        |         | 60Hz                               |   |       |                                  |       | Dimension Page 頁數① |    |    |    |    |    |    |
|------------------------------|-----------------|------------|------------------------------------|---|----------------------------------|--------|---------|------------------------------------|---|-------|----------------------------------|-------|--------------------|----|----|----|----|----|----|
| Input Capacity Symbol 馬力編號 ② | Frame Size 型號 ③ | Ratio 速比 ④ | Output Speed 轉速 n <sub>2</sub> rpm | Output Torque 扭矩 T <sub>out</sub> N.m / Kgf.m | Allowable Radial Load 應許徑向負載 Pro |        | SF 安全係數 | Output Speed 轉速 n <sub>2</sub> rpm | Output Torque 扭矩 T <sub>out</sub> N.m / Kgf.m |       | Allowable Radial Load 應許徑向負載 Pro |       | SF 安全係數            | HM | HX | H  | VM | VX | V  |
|                              |                 |            |                                    |   | N                                | kgf    |         |                                    | N.m   | Kgf.m | N                                | kgf   |                    |    |    |    |    |    |    |
| 5                            | 8185DB          | 231        | 6.28                               | 5070  | 516                              | 41700  | 4250    | 7.58                               | 4200  | 428   | 41700                            | 4250  | 7.58               | 52 | 59 | 62 | 69 | 76 | 80 |
|                              | 8195DA          |            |                                    |   |                                  | 59000  | 6010    |                                    |   |       | 59000                            | 6010  |                    |    |    |    |    |    |    |
|                              | 8195DB          |            |                                    |   |                                  | 59000  | 6010    |                                    |   |       | 59000                            | 6010  |                    |    |    |    |    |    |    |
|                              | 8205DB          |            |                                    |   |                                  | 84100  | 8570    |                                    |   |       | 84100                            | 8570  |                    |    |    |    |    |    |    |
|                              | 8215DA          |            |                                    |   |                                  | 104000 | 10600   |                                    |   |       | 104000                           | 10600 |                    |    |    |    |    |    |    |
|                              | 8225DA          |            |                                    |   |                                  | 140000 | 14200   |                                    |   |       | 140000                           | 14200 |                    |    |    |    |    |    |    |
| 5                            | 8225DB          | 273        | 5.31                               | 5990  | 610                              | 140000 | 14200   | 6.41                               | 4960  | 506   | 132000                           | 13500 | 6.41               | 52 | 59 | 63 | 69 | 76 | 80 |
|                              | 8185DB          |            |                                    |   |                                  | 41700  | 4250    |                                    |   |       | 41700                            | 4250  |                    |    |    |    |    |    |    |
|                              | 8195DA          |            |                                    |   |                                  | 59000  | 6010    |                                    |   |       | 59000                            | 6010  |                    |    |    |    |    |    |    |
|                              | 8205DA          |            |                                    |   |                                  | 84100  | 8570    |                                    |   |       | 84100                            | 8570  |                    |    |    |    |    |    |    |
|                              | 8205DB          |            |                                    |   |                                  | 84100  | 8570    |                                    |   |       | 84100                            | 8570  |                    |    |    |    |    |    |    |
|                              | 8215DA          |            |                                    |   |                                  | 104000 | 10600   |                                    |   |       | 104000                           | 10600 |                    |    |    |    |    |    |    |
| 5                            | 8225DA          | 319        | 4.55                               | 7000  | 713                              | 145000 | 14800   | 5.49                               | 5800  | 591   | 132000                           | 13500 | 5.49               | 52 | 59 | 63 | 69 | 76 | 80 |
|                              | 8225DB          |            |                                    |   |                                  | 140000 | 14200   |                                    |   |       | 140000                           | 14200 |                    |    |    |    |    |    |    |
|                              | 8215DA          |            |                                    |   |                                  | 104000 | 10600   |                                    |   |       | 104000                           | 10600 |                    |    |    |    |    |    |    |
|                              | 8225DA          |            |                                    |   |                                  | 145000 | 14800   |                                    |   |       | 145000                           | 14800 |                    |    |    |    |    |    |    |
|                              | 8235DA          |            |                                    |   |                                  | 179000 | 18200   |                                    |   |       | 179000                           | 18200 |                    |    |    |    |    |    |    |
|                              | 8235DA          |            |                                    |   |                                  | 179000 | 18200   |                                    |   |       | 179000                           | 18200 |                    |    |    |    |    |    |    |
| 5                            | 8195DA          | 377        | 3.85                               | 8270  | 843                              | 58900  | 6010    | 4.64                               | 6850  | 698   | 59000                            | 6010  | 4.64               | 52 | 59 | 63 | 69 | 76 | 80 |
|                              | 8205DA          |            |                                    |   |                                  | 84100  | 8570    |                                    |   |       | 84100                            | 8570  |                    |    |    |    |    |    |    |
|                              | 8205DB          |            |                                    |   |                                  | 84100  | 8570    |                                    |   |       | 84100                            | 8570  |                    |    |    |    |    |    |    |
|                              | 8215DA          |            |                                    |   |                                  | 104000 | 10600   |                                    |   |       | 104000                           | 10600 |                    |    |    |    |    |    |    |
|                              | 8225DA          |            |                                    |   |                                  | 145000 | 14800   |                                    |   |       | 145000                           | 14800 |                    |    |    |    |    |    |    |
|                              | 8235DA          |            |                                    |   |                                  | 179000 | 18200   |                                    |   |       | 179000                           | 18200 |                    |    |    |    |    |    |    |
| 5                            | 8235DA          | 473        | 3.07                               | 10400   | 1060                             | 179000 | 18200   | 3.70                               | 8600  | 876   | 179000                           | 18200 | 3.70               | 52 | 59 | 63 | 69 | 76 | 80 |
|                              | 8195DA          |            |                                    |   |                                  | 7960   | 811     |                                    |   |       | 7960                             | 811   |                    |    |    |    |    |    |    |
|                              | 8205DA          |            |                                    |   |                                  | 84100  | 8570    |                                    |   |       | 84100                            | 8570  |                    |    |    |    |    |    |    |
|                              | 8205DB          |            |                                    |   |                                  | 84100  | 8570    |                                    |   |       | 84100                            | 8570  |                    |    |    |    |    |    |    |
|                              | 8215DA          |            |                                    |   |                                  | 104000 | 10600   |                                    |   |       | 104000                           | 10600 |                    |    |    |    |    |    |    |
|                              | 8225DA          |            |                                    |   |                                  | 145000 | 14800   |                                    |   |       | 145000                           | 14800 |                    |    |    |    |    |    |    |
| 5                            | 8235DA          | 493        | 2.94                               | 10800   | 1100                             | 208000 | 21200   | 3.55                               | 8960  | 913   | 208000                           | 21200 | 3.55               | 52 | 59 | 63 | 69 | 76 | 80 |
|                              | 8195DA          |            |                                    |   |                                  | 7960   | 811     |                                    |   |       | 7960                             | 811   |                    |    |    |    |    |    |    |
|                              | 8205DA          |            |                                    |   |                                  | 9230   | 941     |                                    |   |       | 84100                            | 8570  |                    |    |    |    |    |    |    |
|                              | 8205DB          |            |                                    |   |                                  | 84100  | 8570    |                                    |   |       | 84100                            | 8570  |                    |    |    |    |    |    |    |
|                              | 8215DA          |            |                                    |   |                                  | 104000 | 10600   |                                    |   |       | 104000                           | 10600 |                    |    |    |    |    |    |    |
|                              | 8225DA          |            |                                    |   |                                  | 145000 | 14800   |                                    |   |       | 145000                           | 14800 |                    |    |    |    |    |    |    |
| 5                            | 8235DA          | 559        | 2.59                               | 12300   | 1250                             | 179000 | 18200   | 3.13                               | 10200   | 1040  | 179000                           | 18200 | 3.13               | 52 | 59 | 63 | 69 | 76 | 80 |
|                              | 8245DA          |            |                                    |   |                                  | 208000 | 21200   |                                    |   |       | 208000                           | 21200 |                    |    |    |    |    |    |    |
|                              | 8255DA          |            |                                    |   |                                  | 258000 | 26300   |                                    |   |       | 258000                           | 26300 |                    |    |    |    |    |    |    |
|                              | 8215DA          |            |                                    |   |                                  | 104000 | 10600   |                                    |   |       | 104000                           | 10600 |                    |    |    |    |    |    |    |
|                              | 8225DA          |            |                                    |   |                                  | 145000 | 14800   |                                    |   |       | 145000                           | 14800 |                    |    |    |    |    |    |    |
|                              | 8235DA          |            |                                    |   |                                  | 179000 | 18200   |                                    |   |       | 179000                           | 18200 |                    |    |    |    |    |    |    |
| 5                            | 8245DA          | 649        | 2.23                               | 14200   | 1450                             | 208000 | 21200   | 2.70                               | 11800   | 1200  | 208000                           | 21200 | 2.70               | 52 | 59 | 63 | 69 | 76 | 80 |
|                              | 8255DA          |            |                                    |   |                                  | 258000 | 26300   |                                    |   |       | 258000                           | 26300 |                    |    |    |    |    |    |    |
|                              | 8215DA          |            |                                    |   |                                  | 104000 | 10600   |                                    |   |       | 104000                           | 10600 |                    |    |    |    |    |    |    |
|                              | 8225DA          |            |                                    |   |                                  | 145000 | 14800   |                                    |   |       | 145000                           | 14800 |                    |    |    |    |    |    |    |
|                              | 8235DA          |            |                                    |   |                                  | 179000 | 18200   |                                    |   |       | 179000                           | 18200 |                    |    |    |    |    |    |    |
|                              | 8245DA          |            |                                    |   |                                  | 208000 | 21200   |                                    |   |       | 208000                           | 21200 |                    |    |    |    |    |    |    |

※ Frame sizes in Blue are the recommended models for 24 hours/day with uniform load. 均勻負載下，減速機連續使用 24 小時，建議使用標註藍色型號或更大型號。

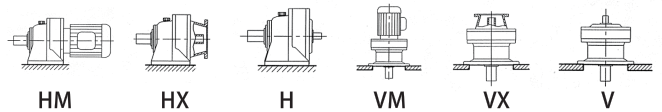
# Service Factor 安全係數表

|                |                |      |     |      |      |
|----------------|----------------|------|-----|------|------|
| 3.7 kW<br>5 HP | Hz             | 50Hz |     | 60Hz |      |
|                | Pole           | 4    | 6   | 4    | 6    |
|                | n <sub>1</sub> | 1450 | 980 | 1750 | 1165 |



| Model 型式                     |                |           | 50Hz                               |                                   |       |                                  |       | 60Hz    |                                    |                                   |       |                                  | Dimension Page 頁數① |         |    |    |    |    |    |    |
|------------------------------|----------------|-----------|------------------------------------|-----------------------------------|-------|----------------------------------|-------|---------|------------------------------------|-----------------------------------|-------|----------------------------------|--------------------|---------|----|----|----|----|----|----|
| Input Capacity Symbol 馬力 編號② | Frame Size 型號③ | Ratio 速比④ | Output Speed 轉速 n <sub>2</sub> rpm | Output Torque 扭矩 T <sub>out</sub> |       | Allowable Radial Load 應許徑向負載 Pro |       | SF 安全係數 | Output Speed 轉速 n <sub>2</sub> rpm | Output Torque 扭矩 T <sub>out</sub> |       | Allowable Radial Load 應許徑向負載 Pro |                    | SF 安全係數 | HM | HX | H  | VM | VX | V  |
|                              |                |           |                                    | N.m                               | Kgf.m | N                                | kgf   |         |                                    | N.m                               | Kgf.m | N                                | kgf                |         |    |    |    |    |    |    |
| 5                            | 8215DA         | 731       | 1.98                               | 16000                             | 1290  | 104000                           | 10600 | *       | 2.39                               | 12700                             | 1290  | 104000                           | 10600              | *       | 52 | 59 | 63 | 69 | 76 | 80 |
|                              | 8225DA         |           |                                    |                                   |       | 145000                           | 14800 | 1.00    |                                    |                                   |       | 145000                           | 14800              | 1.20    |    |    |    |    |    |    |
|                              | 8235DA         |           |                                    |                                   |       | 179000                           | 18200 | 1.28    |                                    |                                   |       | 179000                           | 18200              | 1.54    |    |    |    |    |    |    |
|                              | 8245DA         |           |                                    |                                   |       | 208000                           | 21200 | 1.61    |                                    |                                   |       | 208000                           | 21200              | 1.94    |    |    |    |    |    |    |
|                              | 8255DA         |           |                                    |                                   |       | 258000                           | 26300 | 2.15    |                                    |                                   |       | 258000                           | 26300              | 2.60    |    |    |    |    |    |    |
| 5                            | 8225DA         | 841       | 1.72                               | 18400                             | 18800 | 145000                           | 14800 | 0.82    | 2.08                               | 15300                             | 1560  | 145000                           | 14800              | 0.98    | 52 | 59 | 63 | 69 | 76 | 80 |
|                              | 8235DA         |           |                                    |                                   |       | 179000                           | 18200 | 1.02    |                                    |                                   |       | 179000                           | 18200              | 1.24    |    |    |    |    |    |    |
|                              | 8245DA         |           |                                    |                                   |       | 208000                           | 21200 | 1.40    |                                    |                                   |       | 208000                           | 21200              | 1.69    |    |    |    |    |    |    |
|                              | 8255DA         |           |                                    |                                   |       | 258000                           | 26300 | 1.76    |                                    |                                   |       | 258000                           | 26300              | 2.13    |    |    |    |    |    |    |
| 5                            | 8225DA         | 1003      | 1.45                               | 22000                             | 2240  | 145000                           | 14800 | *       | 1.74                               | 18200                             | 1860  | 145000                           | 14800              | *       | 52 | 59 | 63 | 69 | 76 | 80 |
|                              | 8235DA         |           |                                    |                                   |       | 179000                           | 18200 | 0.93    |                                    |                                   |       | 179000                           | 18200              | 1.12    |    |    |    |    |    |    |
|                              | 8245DA         |           |                                    |                                   |       | 208000                           | 21200 | 1.17    |                                    |                                   |       | 208000                           | 21200              | 1.42    |    |    |    |    |    |    |
| 5                            | 8225DA         | 1247      | 1.16                               | 27300                             | 2790  | 145000                           | 14800 | *       | 1.40                               | 22700                             | 2310  | 145000                           | 14800              | *       | 52 | 59 | 63 | 69 | 76 | 80 |
|                              | 8235DA         |           |                                    |                                   |       | 179000                           | 18200 | 0.94    |                                    |                                   |       | 179000                           | 18200              | 1.14    |    |    |    |    |    |    |
|                              | 8245DA         |           |                                    |                                   |       | 208000                           | 21200 | 1.26    |                                    |                                   |       | 208000                           | 21200              | 1.52    |    |    |    |    |    |    |
| 5                            | 8245DA         | 1479      | 0.980                              | 32400                             | 3310  | 208000                           | 21200 | *       | 1.18                               | 26900                             | 2740  | 208000                           | 21200              | *       | 52 | 59 | 63 | 69 | 76 | 80 |
|                              | 8255DA         |           |                                    |                                   |       | 258000                           | 26300 | 0.96    |                                    |                                   |       | 258000                           | 26300              | 1.15    |    |    |    |    |    |    |
| 5                            | 8255DA         | 1849      | 0.784                              | 40600                             | 4130  | 258000                           | 26300 | 0.85    | 0.946                              | 33600                             | 3430  | 258000                           | 26300              | 1.03    | 52 | 59 | 63 | 69 | 76 | 80 |
| 5                            | 8255DA         | 2065      | 0.702                              | 34500                             | 3520  | 258000                           | 26300 | *       | 0.847                              | 34500                             | 3520  | 258000                           | 26300              | *       | 52 | 59 | 63 | 69 | 76 | 80 |
| 5                            | 8255DA         | 2537      | 0.572                              | 34500                             | 3520  | 258000                           | 26300 | *       | 0.690                              | 34500                             | 3520  | 258000                           | 26300              | *       | 52 | 59 | 63 | 69 | 76 | 80 |
| 5                            | 8255DA         | 3045      | 0.476                              | 31000                             | 3160  | 258000                           | 26300 | *       | 0.575                              | 31000                             | 3160  | 258000                           | 26300              | *       | 52 | 59 | 63 | 69 | 76 | 80 |
| 5                            | 8255DA         | 3481      | 0.417                              | 34500                             | 3520  | 258000                           | 26300 | *       | 0.503                              | 34500                             | 3520  | 258000                           | 26300              | *       | 52 | 59 | 63 | 69 | 76 | 80 |
| 5                            | 8255DA         | 4437      | 0.327                              | 31000                             | 3160  | 258000                           | 26300 | *       | 0.394                              | 31000                             | 3160  | 258000                           | 26300              | *       | 52 | 59 | 63 | 69 | 76 | 80 |
| 5                            | 8255DA         | 5133      | 0.282                              | 34500                             | 3520  | 258000                           | 26300 | *       | 0.341                              | 34500                             | 3520  | 258000                           | 26300              | *       | 52 | 59 | 63 | 69 | 76 | 80 |
| 5                            | 8255DA         | 6177      | 0.235                              | 31000                             | 3160  | 258000                           | 26300 | *       | 0.283                              | 31000                             | 3160  | 258000                           | 26300              | *       | 52 | 59 | 63 | 69 | 76 | 80 |
| 5                            | 8255DA         | 7569      | 0.192                              | 31000                             | 3160  | 258000                           | 26300 | *       | 0.231                              | 31000                             | 3160  | 258000                           | 26300              | *       | 52 | 59 | 63 | 69 | 76 | 80 |

|                 |                |      |     |      |      |
|-----------------|----------------|------|-----|------|------|
| 5.5 kW<br>7½ HP | Hz             | 50Hz |     | 60Hz |      |
|                 | Pole           | 4    | 6   | 4    | 6    |
|                 | n <sub>1</sub> | 1450 | 980 | 1750 | 1165 |



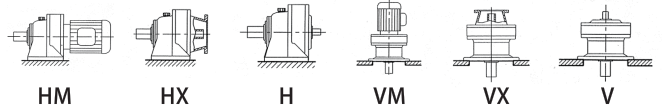
| Model 型式                     |                |           | 50Hz                               |                                   |       |                                  |      | 60Hz    |                                    |                                   |       |                                  | Dimension Page 頁數① |         |    |    |    |    |    |    |
|------------------------------|----------------|-----------|------------------------------------|-----------------------------------|-------|----------------------------------|------|---------|------------------------------------|-----------------------------------|-------|----------------------------------|--------------------|---------|----|----|----|----|----|----|
| Input Capacity Symbol 馬力 編號② | Frame Size 型號③ | Ratio 速比④ | Output Speed 轉速 n <sub>2</sub> rpm | Output Torque 扭矩 T <sub>out</sub> |       | Allowable Radial Load 應許徑向負載 Pro |      | SF 安全係數 | Output Speed 轉速 n <sub>2</sub> rpm | Output Torque 扭矩 T <sub>out</sub> |       | Allowable Radial Load 應許徑向負載 Pro |                    | SF 安全係數 | HM | HX | H  | VM | VX | V  |
|                              |                |           |                                    | N.m                               | Kgf.m | N                                | kgf  |         |                                    | N.m                               | Kgf.m | N                                | Kgf                |         |    |    |    |    |    |    |
| 8                            | 8135           | 6         | 242                                | 206                               | 21.0  | 6060                             | 617  | 2.05    | 292                                | 171                               | 17.4  | 5710                             | 582                | 2.05    | 47 | 56 | 61 | 69 | 73 | 78 |
|                              | 8145           |           |                                    |                                   |       | 9370                             | 955  | 2.75    |                                    |                                   |       | 8860                             | 903                | 2.75    |    |    |    |    |    |    |
| 8                            | 8135           | 8         | 181                                | 275                               | 28.1  | 6740                             | 687  | 2.05    | 219                                | 228                               | 23.3  | 6360                             | 648                | 2.05    | 47 | 56 | 61 | 69 | 73 | 78 |
|                              | 8145           |           |                                    |                                   |       | 10400                            | 1060 | 2.75    |                                    |                                   |       | 9820                             | 1000               | 2.75    |    |    |    |    |    |    |
| 8                            | 8135           | 11        | 132                                | 379                               | 38.6  | 7680                             | 783  | 2.05    | 159                                | 314                               | 32.0  | 7240                             | 739                | 2.05    | 47 | 56 | 61 | 69 | 73 | 78 |
|                              | 8145           |           |                                    |                                   |       | 11600                            | 1190 | 2.75    |                                    |                                   |       | 11000                            | 1120               | 2.75    |    |    |    |    |    |    |
| 8                            | 8135           | 13        | 112                                | 447                               | 45.6  | 7980                             | 814  | 1.85    | 135                                | 371                               | 37.8  | 7530                             | 768                | 2.05    | 47 | 56 | 61 | 69 | 73 | 78 |
|                              | 8145           |           |                                    |                                   |       | 11900                            | 1210 | 2.75    |                                    |                                   |       | 11300                            | 1150               | 2.75    |    |    |    |    |    |    |

\* Frame sizes in Blue are the recommended models for 24 hours/day with uniform load. 均勻負載下，減速機連續使用 24 小時，建議使用標註藍色型號或更大型號。



# Service Factor 安全係數表

|                 |                |      |     |      |      |
|-----------------|----------------|------|-----|------|------|
| 5.5 kW<br>7½ HP | Hz             | 50Hz |     | 60Hz |      |
|                 | Pole           | 4    | 6   | 4    | 6    |
|                 | n <sub>1</sub> | 1450 | 980 | 1750 | 1165 |



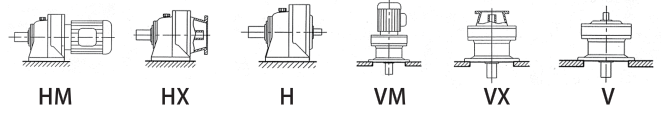
| Model 型式                     |                |           | 50Hz                               |                                   |       |                                  |      | 60Hz    |                                    |                                   |       |                                  | Dimension Page 頁數① |         |    |    |    |    |    |    |
|------------------------------|----------------|-----------|------------------------------------|-----------------------------------|-------|----------------------------------|------|---------|------------------------------------|-----------------------------------|-------|----------------------------------|--------------------|---------|----|----|----|----|----|----|
| Input Capacity Symbol 馬力 編號② | Frame Size 型號③ | Ratio 速比④ | Output Speed 轉速 n <sub>2</sub> rpm | Output Torque 扭矩 T <sub>out</sub> |       | Allowable Radial Load 應許徑向負載 Pro |      | SF 安全係數 | Output Speed 轉速 n <sub>2</sub> rpm | Output Torque 扭矩 T <sub>out</sub> |       | Allowable Radial Load 應許徑向負載 Pro |                    | SF 安全係數 | HM | HX | H  | VM | VX | V  |
|                              |                |           |                                    | N.m                               | Kgf.m | N                                | kgf  |         |                                    | N.m                               | Kgf.m | N                                | Kgf                |         |    |    |    |    |    |    |
| 8                            | 8135           | 15        | 96.7                               | 516                               | 52.6  | 8130                             | 829  | 1.63    | 117                                | 428                               | 43.6  | 7680                             | 783                | 1.63    | 47 | 56 | 61 | 64 | 73 | 78 |
|                              | 12400          |           |                                    |                                   |       | 1270                             | 2.64 | 11800   |                                    |                                   |       | 1200                             | 2.75               | 47      | 56 | 61 | 64 | 73 | 78 |    |
| 8                            | 8135           | 17        | 85.3                               | 585                               | 59.6  | 8710                             | 888  | 1.51    | 103                                | 485                               | 49.4  | 8230                             | 839                | 1.51    | 47 | 56 | 61 | 64 | 73 | 78 |
|                              | 13000          |           |                                    |                                   |       | 1320                             | 2.18 | 12300   |                                    |                                   |       | 1250                             | 2.18               | 47      | 56 | 61 | 64 | 73 | 78 |    |
|                              | 15300          |           |                                    |                                   |       | 1550                             | 2.38 | 14400   |                                    |                                   |       | 1460                             | 2.38               | 47      | 56 | 61 | 64 | 73 | 78 |    |
| 8                            | 8135           | 21        | 69.0                               | 723                               | 73.7  | 9260                             | 944  | 1.22    | 83.3                               | 599                               | 61.0  | 8760                             | 893                | 1.37    | 47 | 56 | 61 | 64 | 73 | 78 |
|                              | 13900          |           |                                    |                                   |       | 1410                             | 1.73 | 13100   |                                    |                                   |       | 1340                             | 2.00               | 47      | 56 | 61 | 64 | 73 | 78 |    |
|                              | 16400          |           |                                    |                                   |       | 1670                             | 2.91 | 15400   |                                    |                                   |       | 1570                             | 2.93               | 47      | 56 | 61 | 64 | 73 | 78 |    |
| 8                            | 8135           | 25        | 58.0                               | 860                               | 87.7  | 9580                             | 977  | 1.05    | 70.0                               | 713                               | 72.7  | 9070                             | 925                | 1.08    | 47 | 56 | 61 | 64 | 73 | 78 |
|                              | 14500          |           |                                    |                                   |       | 1480                             | 1.44 | 13800   |                                    |                                   |       | 1400                             | 1.44               | 47      | 56 | 61 | 64 | 73 | 78 |    |
|                              | 17100          |           |                                    |                                   |       | 1740                             | 2.44 | 16100   |                                    |                                   |       | 1640                             | 2.75               | 47      | 56 | 61 | 64 | 73 | 78 |    |
|                              | 19200          |           |                                    |                                   |       | 1960                             | 2.84 | 18100   |                                    |                                   |       | 1840                             | 2.87               | 47      | 56 | 61 | 64 | 73 | 78 |    |
| 8                            | 8135           | 29        | 50.0                               | 998                               | 102   | 10000                            | 1020 | 0.89    | 60.3                               | 827                               | 84.3  | 9500                             | 968                | 1.03    | 47 | 56 | 61 | 64 | 73 | 78 |
|                              | 14800          |           |                                    |                                   |       | 1510                             | 1.37 | 14100   |                                    |                                   |       | 1430                             | 1.37               | 47      | 56 | 61 | 64 | 73 | 78 |    |
|                              | 17800          |           |                                    |                                   |       | 1810                             | 2.07 | 16800   |                                    |                                   |       | 1710                             | 2.07               | 47      | 56 | 61 | 64 | 73 | 78 |    |
| 8                            | 8165           | 35        | 41.4                               | 1200                              | 123   | 20200                            | 2060 | 2.45    | 50.0                               | 998                               | 102   | 19100                            | 1940               | 2.60    | 47 | 56 | 61 | 64 | 73 | 78 |
|                              | 15900          |           |                                    |                                   |       | 1620                             | 1.14 | 15000   |                                    |                                   |       | 1530                             | 1.37               | 47      | 56 | 61 | 64 | 73 | 78 |    |
|                              | 21400          |           |                                    |                                   |       | 2180                             | 2.62 | 20200   |                                    |                                   |       | 2060                             | 2.75               | 47      | 56 | 61 | 64 | 73 | 78 |    |
| 8                            | 8145           | 43        | 33.7                               | 1480                              | 151   | 15100                            | 1540 | 0.85    | 40.7                               | 1230                              | 125   | 15600                            | 1590               | 0.98    | 47 | 56 | 61 | 64 | 73 | 78 |
|                              | 20000          |           |                                    |                                   |       | 2040                             | 1.42 | 18900   |                                    |                                   |       | 1930                             | 1.44               | 47      | 56 | 61 | 64 | 73 | 78 |    |
|                              | 22800          |           |                                    |                                   |       | 2320                             | 2.05 | 21500   |                                    |                                   |       | 2190                             | 2.05               | 47      | 56 | 61 | 64 | 73 | 78 |    |
|                              | 30900          |           |                                    |                                   |       | 3150                             | 2.75 | 29100   |                                    |                                   |       | 2960                             | 2.75               | 47      | 56 | 61 | 64 | 73 | 78 |    |
| 8                            | 8165           | 51        | 28.4                               | 1760                              | 179   | 20800                            | 2120 | 1.20    | 34.3                               | 1450                              | 148   | 19600                            | 2000               | 1.37    | 47 | 56 | 61 | 64 | 73 | 78 |
|                              | 23700          |           |                                    |                                   |       | 2420                             | 1.79 | 22400   |                                    |                                   |       | 2280                             | 2.05               | 47      | 56 | 61 | 64 | 73 | 78 |    |
|                              | 31900          |           |                                    |                                   |       | 3260                             | 2.75 | 30100   |                                    |                                   |       | 3070                             | 2.75               | 47      | 56 | 61 | 64 | 73 | 78 |    |
| 8                            | 8165           | 59        | 24.6                               | 2030                              | 207   | 22100                            | 2250 | 1.03    | 29.7                               | 1680                              | 171   | 21700                            | 2220               | 1.05    | 47 | 56 | 61 | 64 | 73 | 78 |
|                              | 24800          |           |                                    |                                   |       | 2530                             | 1.51 | 23400   |                                    |                                   |       | 2390                             | 1.51               | 47      | 56 | 61 | 64 | 73 | 78 |    |
|                              | 33400          |           |                                    |                                   |       | 3400                             | 2.18 | 31400   |                                    |                                   |       | 3200                             | 2.18               | 47      | 56 | 61 | 64 | 73 | 78 |    |
|                              | 47000          |           |                                    |                                   |       | 4790                             | 2.78 | 44200   |                                    |                                   |       | 4500                             | 2.78               | 47      | 56 | 61 | 64 | 73 | 78 |    |
| 8                            | 8165           | 71        | 20.4                               | 2440                              | 249   | 22100                            | 2250 | 0.86    | 24.6                               | 2020                              | 206   | 21600                            | 2200               | 1.03    | 47 | 56 | 61 | 64 | 73 | 78 |
|                              | 26200          |           |                                    |                                   |       | 2670                             | 1.27 | 24700   |                                    |                                   |       | 2520                             | 1.30               | 47      | 56 | 61 | 64 | 73 | 78 |    |
|                              | 35500          |           |                                    |                                   |       | 3620                             | 1.78 | 33400   |                                    |                                   |       | 3410                             | 1.78               | 47      | 56 | 61 | 64 | 73 | 78 |    |
|                              | 49800          |           |                                    |                                   |       | 5080                             | 2.84 | 46900   |                                    |                                   |       | 4780                             | 2.84               | 47      | 56 | 61 | 64 | 73 | 78 |    |
| 8                            | 8175           | 87        | 16.7                               | 2990                              | 305   | 27900                            | 2840 | 1.02    | 20.1                               | 2480                              | 253   | 26400                            | 2690               | 1.02    | 47 | 56 | 61 | 64 | 73 | 78 |
|                              | 53600          |           |                                    |                                   |       | 5470                             | 2.47 | 50500   |                                    |                                   |       | 5140                             | 2.47               | 47      | 56 | 61 | 64 | 73 | 78 |    |
| 8                            | 8185DB         | 104       | 13.9                               | 3390                              | 346   | 40500                            | 4130 | 1.45    | 16.8                               | 2810                              | 286   | 38200                            | 3890               | 1.74    | 53 | 59 | 62 | 70 | 76 | 80 |
|                              | 56800          |           |                                    |                                   |       | 5790                             | 2.17 | 53500   |                                    |                                   |       | 5460                             | 2.17               | 53      | 59 | 63 | 70 | 76 | 80 |    |
|                              | 41700          |           |                                    |                                   |       | 4250                             | 1.22 | 40600   |                                    |                                   |       | 4140                             | 1.47               | 53      | 59 | 62 | 70 | 76 | 80 |    |
| 8                            | 8195DB         | 121       | 12.0                               | 3940                              | 402   | 59000                            | 6010 | 1.92    | 14.5                               | 3270                              | 333   | 57000                            | 5810               | 2.17    | 53 | 59 | 63 | 70 | 76 | 80 |
|                              | 84100          |           |                                    |                                   |       | 8570                             | 2.17 | 84100   |                                    |                                   |       | 8570                             | 2.17               | 53      | 59 | 63 | 70 | 76 | 80 |    |
|                              | 104000         |           |                                    |                                   |       | 10600                            | 2.88 | 103000  |                                    |                                   |       | 10500                            | 3.48               | 53      | 59 | 63 | 70 | 76 | 80 |    |
| 8                            | 8185DB         | 143       | 10.1                               | 4660                              | 475   | 41700                            | 4250 | 1.05    | 12.2                               | 3860                              | 394   | 41700                            | 4250               | 1.27    | 53 | 59 | 62 | 70 | 76 | 80 |
|                              | 59000          |           |                                    |                                   |       | 6010                             | 1.64 | 59000   |                                    |                                   |       | 6010                             | 1.97               | 53      | 59 | 63 | 70 | 76 | 80 |    |
|                              | 41700          |           |                                    |                                   |       | 4250                             | 0.92 | 41700   |                                    |                                   |       | 4250                             | 1.10               | 53      | 59 | 62 | 70 | 76 | 80 |    |
| 8                            | 8195DB         | 165       | 8.79                               | 5380                              | 548   | 59000                            | 6010 | 1.47    | 10.6                               | 4460                              | 454   | 59000                            | 6010               | 1.77    | 53 | 59 | 63 | 70 | 76 | 80 |
|                              | 84100          |           |                                    |                                   |       | 8570                             | 1.72 | 84100   |                                    |                                   |       | 8570                             | 2.08               | 53      | 59 | 63 | 70 | 76 | 80 |    |
|                              | 104000         |           |                                    |                                   |       | 10600                            | 2.17 | 104000  |                                    |                                   |       | 10600                            | 2.17               | 53      | 59 | 63 | 70 | 76 | 80 |    |
|                              | 104000         |           |                                    |                                   |       | 10600                            | 2.26 | 104000  |                                    |                                   |       | 10600                            | 2.73               | 53      | 59 | 63 | 70 | 76 | 80 |    |
|                              | 124000         |           |                                    |                                   |       | 12700                            | 2.69 | 118000  |                                    |                                   |       | 12000                            | 3.25               | 53      | 59 | 63 | 70 | 76 | 80 |    |

※ Frame sizes in Blue are the recommended models for 24 hours/day with uniform load. 均勻負載下，減速機連續使用 24 小時，建議使用標註藍色型號或更大型號。



## Service Factor 安全係數表

|                 |                |      |     |      |      |
|-----------------|----------------|------|-----|------|------|
| 5.5 kW<br>7½ HP | Hz             | 50Hz |     | 60Hz |      |
|                 | Pole           | 4    | 6   | 4    | 6    |
|                 | n <sub>1</sub> | 1450 | 980 | 1750 | 1165 |

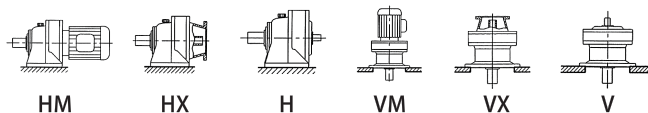


| Model 型式                     |                | 50Hz      |                                    |                                   |       |                                  | 60Hz  |         |                                    |                                   |       | Dimension Page 頁數①               |       |         |      |        |       |    |    |    |    |    |    |    |
|------------------------------|----------------|-----------|------------------------------------|-----------------------------------|-------|----------------------------------|-------|---------|------------------------------------|-----------------------------------|-------|----------------------------------|-------|---------|------|--------|-------|----|----|----|----|----|----|----|
| Input Capacity Symbol 馬力 編號② | Frame Size 型號③ | Ratio 速比④ | Output Speed 轉速 n <sub>2</sub> rpm | Output Torque 扭矩 T <sub>out</sub> |       | Allowable Radial Load 應許徑向負載 Pro |       | SF 安全係數 | Output Speed 轉速 n <sub>2</sub> rpm | Output Torque 扭矩 T <sub>out</sub> |       | Allowable Radial Load 應許徑向負載 Pro |       | SF 安全係數 | HM   | HX     | H     | VM | VX | V  |    |    |    |    |
|                              |                |           |                                    | N.m                               | Kgf.m | N                                | kgf   |         |                                    | N.m                               | Kgf.m | N                                | kgf   |         |      |        |       |    |    |    |    |    |    |    |
|                              |                |           |                                    |                                   |       |                                  |       |         |                                    |                                   |       |                                  |       |         |      |        |       |    |    |    |    |    |    |    |
| 8                            | 8195DB         | 195       | 7.44                               | 6360                              | 648   | 58900                            | 6000  | 1.24    | 8.97                               | 5270                              | 537   | 59000                            | 6010  | 1.50    | 53   | 59     | 63    | 70 | 76 | 80 |    |    |    |    |
|                              | 8205DB         |           |                                    |                                   |       | 84100                            | 8570  | 1.46    |                                    |                                   |       | 84100                            | 8570  | 1.76    | 53   | 59     | 63    | 70 | 76 | 80 |    |    |    |    |
|                              | 8215DA         |           |                                    |                                   |       | 104000                           | 10600 | 1.91    |                                    |                                   |       | 104000                           | 10600 | 2.17    | 53   | 59     | 63    | 70 | 76 | 80 |    |    |    |    |
|                              | 8215DB         |           |                                    |                                   |       | 104000                           | 10600 | 1.91    |                                    |                                   |       | 104000                           | 10600 | 2.31    | 53   | 59     | 63    | 70 | 76 | 80 |    |    |    |    |
|                              | 8225DA         |           |                                    |                                   |       | 131000                           | 13300 | 1.96    |                                    |                                   |       | 124000                           | 12600 | 2.17    | 53   | 59     | 63    | 70 | 76 | 80 |    |    |    |    |
|                              | 8225DB         |           |                                    |                                   |       | 131000                           | 13300 | 2.28    |                                    |                                   |       | 124000                           | 12600 | 2.75    | 53   | 59     | 63    | 70 | 76 | 80 |    |    |    |    |
| 8                            | 8195DB         | 231       | 6.28                               | 7530                              | 768   | 59000                            | 6010  | 1.06    | 7.58                               | 6240                              | 636   | 59000                            | 6010  | 1.28    | 53   | 59     | 63    | 70 | 76 | 80 |    |    |    |    |
|                              | 8205DB         |           |                                    |                                   |       | 84100                            | 8570  | 1.23    |                                    |                                   |       | 84100                            | 8570  | 1.49    | 53   | 59     | 63    | 70 | 76 | 80 |    |    |    |    |
|                              | 8215DA         |           |                                    |                                   |       | 104000                           | 10600 | 1.66    |                                    |                                   |       | 104000                           | 10600 | 2.00    | 53   | 59     | 63    | 70 | 76 | 80 |    |    |    |    |
|                              | 8225DA         |           |                                    |                                   |       | 139000                           | 14200 | 1.97    |                                    |                                   |       | 132000                           | 13400 | 2.17    | 53   | 59     | 63    | 70 | 76 | 80 |    |    |    |    |
|                              | 8225DB         |           |                                    |                                   |       | 139000                           | 14200 | 1.97    |                                    |                                   |       | 132000                           | 13400 | 2.37    | 53   | 59     | 63    | 70 | 76 | 80 |    |    |    |    |
|                              | 8235DA         |           |                                    |                                   |       | 173000                           | 17700 | 2.51    |                                    |                                   |       | 164000                           | 16700 | 3.03    | 53   | 59     | 63    | 70 | 76 | 80 |    |    |    |    |
| 8                            | 8195DB         | 273       | 5.31                               | 8900                              | 907   | 59000                            | 6010  | 0.89    | 6.41                               | 7370                              | 752   | 59000                            | 6010  | 1.08    | 53   | 59     | 63    | 70 | 76 | 80 |    |    |    |    |
|                              | 8205DB         |           |                                    |                                   |       | 84100                            | 8570  | 1.04    |                                    |                                   |       | 84100                            | 8570  | 1.26    | 53   | 59     | 63    | 70 | 76 | 80 |    |    |    |    |
|                              | 8215DA         |           |                                    |                                   |       | 104000                           | 10600 | 1.40    |                                    |                                   |       | 104000                           | 10600 | 1.70    | 53   | 59     | 63    | 70 | 76 | 80 |    |    |    |    |
|                              | 8225DA         |           |                                    |                                   |       | 145000                           | 14800 | 1.66    |                                    |                                   |       | 138000                           | 14100 | 2.01    | 53   | 59     | 63    | 70 | 76 | 80 |    |    |    |    |
|                              | 8235DA         |           |                                    |                                   |       | 179000                           | 18200 | 2.12    |                                    |                                   |       | 172000                           | 17600 | 2.56    | 53   | 59     | 63    | 70 | 76 | 80 |    |    |    |    |
|                              | 8245DA         |           |                                    |                                   |       | 203000                           | 20600 | 2.90    |                                    |                                   |       | 192000                           | 19500 | 3.50    | 53   | 59     | 63    | 70 | 76 | 80 |    |    |    |    |
| 8                            | 8195DB         | 319       | 4.55                               | 7960                              | 811   | 59000                            | 6010  | *       | 5.49                               | 7960                              | 811   | 59000                            | 6010  | *       | 53   | 59     | 63    | 70 | 76 | 80 |    |    |    |    |
|                              | 8205DB         |           |                                    |                                   |       | 84100                            | 8570  | 0.89    |                                    |                                   |       | 84100                            | 8570  | 1.07    | 53   | 59     | 63    | 70 | 76 | 80 |    |    |    |    |
|                              | 8215DA         |           |                                    |                                   |       | 104000                           | 10600 | 1.22    |                                    |                                   |       | 104000                           | 10600 | 1.47    | 53   | 59     | 63    | 70 | 76 | 80 |    |    |    |    |
|                              | 8225DA         |           |                                    |                                   |       | 145000                           | 14800 | 1.45    |                                    |                                   |       | 143000                           | 14600 | 1.75    | 53   | 59     | 63    | 70 | 76 | 80 |    |    |    |    |
|                              | 8235DA         |           |                                    |                                   |       | 179000                           | 18200 | 1.82    |                                    |                                   |       | 179000                           | 18200 | 2.19    | 53   | 59     | 63    | 70 | 76 | 80 |    |    |    |    |
|                              | 8245DA         |           |                                    |                                   |       | 208000                           | 21200 | 2.48    |                                    |                                   |       | 200000                           | 20400 | 2.99    | 53   | 59     | 63    | 70 | 76 | 80 |    |    |    |    |
| 8                            | 8195DB         | 377       | 3.85                               | 7960                              | 811   | 59000                            | 6010  | *       | 4.64                               | 7960                              | 811   | 59000                            | 6010  | *       | 53   | 59     | 63    | 70 | 76 | 80 |    |    |    |    |
|                              | 8205DB         |           |                                    |                                   |       | 8550                             | 872   | *       |                                    |                                   |       | 84100                            | 8570  | *       | 53   | 59     | 63    | 70 | 76 | 80 |    |    |    |    |
|                              | 8215DA         |           |                                    |                                   |       | 104000                           | 10600 | 1.03    |                                    |                                   |       | 104000                           | 10600 | 1.24    | 53   | 59     | 63    | 70 | 76 | 80 |    |    |    |    |
|                              | 8225DA         |           |                                    |                                   |       | 145000                           | 14800 | 1.22    |                                    |                                   |       | 145000                           | 14800 | 1.48    | 53   | 59     | 63    | 70 | 76 | 80 |    |    |    |    |
|                              | 8235DA         |           |                                    |                                   |       | 179000                           | 18200 | 1.54    |                                    |                                   |       | 179000                           | 18200 | 1.86    | 53   | 59     | 63    | 70 | 76 | 80 |    |    |    |    |
|                              | 8245DA         |           |                                    |                                   |       | 208000                           | 21200 | 2.10    |                                    |                                   |       | 208000                           | 21200 | 2.53    | 53   | 59     | 63    | 70 | 76 | 80 |    |    |    |    |
| 8                            | 8255DA         | 473       | 3.07                               | 15400                             | 1570  | 258000                           | 26300 | 2.24    | 3.70                               | 12800                             | 1300  | 258000                           | 26300 | 2.70    | 53   | 59     | 63    | 70 | 76 | 80 |    |    |    |    |
|                              | 8215DA         |           |                                    |                                   |       | 12700                            | 1290  | 104000  |                                    |                                   |       | 10600                            | *     | 12700   | 1290 | 104000 | 10600 | *  | 53 | 59 | 63 | 70 | 76 | 80 |
|                              | 8225DA         |           |                                    |                                   |       | 145000                           | 14800 | 0.93    |                                    |                                   |       | 145000                           | 14800 | 1.13    | 53   | 59     | 63    | 70 | 76 | 80 |    |    |    |    |
|                              | 8235DA         |           |                                    |                                   |       | 179000                           | 18200 | 1.17    |                                    |                                   |       | 179000                           | 18200 | 1.42    | 53   | 59     | 63    | 70 | 76 | 80 |    |    |    |    |
|                              | 8245DA         |           |                                    |                                   |       | 208000                           | 21200 | 1.60    |                                    |                                   |       | 208000                           | 21200 | 1.94    | 53   | 59     | 63    | 70 | 76 | 80 |    |    |    |    |
|                              | 8255DA         |           |                                    |                                   |       | 258000                           | 26300 | 2.02    |                                    |                                   |       | 258000                           | 26300 | 2.44    | 53   | 59     | 63    | 70 | 76 | 80 |    |    |    |    |
| 8                            | 8265DA         | 493       | 2.94                               | 16100                             | 1640  | 276000                           | 28100 | 2.98    | 3.55                               | 13000                             | 1350  | 276000                           | 28100 | 3.60    | 53   | 59     | 63    | 70 | 76 | 80 |    |    |    |    |
|                              | 8215DA         |           |                                    |                                   |       | 12700                            | 1290  | 104000  |                                    |                                   |       | 10600                            | *     | 12700   | 1290 | 104000 | 10600 | *  | 53 | 59 | 63 | 70 | 76 | 80 |
|                              | 8225DA         |           |                                    |                                   |       | 145000                           | 14800 | 0.93    |                                    |                                   |       | 145000                           | 14800 | 1.13    | 53   | 59     | 63    | 70 | 76 | 80 |    |    |    |    |
|                              | 8235DA         |           |                                    |                                   |       | 179000                           | 18200 | 1.17    |                                    |                                   |       | 179000                           | 18200 | 1.42    | 53   | 59     | 63    | 70 | 76 | 80 |    |    |    |    |
|                              | 8245DA         |           |                                    |                                   |       | 208000                           | 21200 | 1.60    |                                    |                                   |       | 208000                           | 21200 | 1.94    | 53   | 59     | 63    | 70 | 76 | 80 |    |    |    |    |
|                              | 8255DA         |           |                                    |                                   |       | 258000                           | 26300 | 2.02    |                                    |                                   |       | 258000                           | 26300 | 2.44    | 53   | 59     | 63    | 70 | 76 | 80 |    |    |    |    |
| 8                            | 8265DA         | 559       | 2.59                               | 18200                             | 1860  | 276000                           | 28100 | 2.86    | 3.13                               | 15100                             | 1540  | 276000                           | 28100 | 3.46    | 53   | 59     | 63    | 70 | 76 | 80 |    |    |    |    |
|                              | 8215DA         |           |                                    |                                   |       | 145000                           | 14800 | 0.88    |                                    |                                   |       | 145000                           | 14800 | 1.06    | 53   | 59     | 63    | 70 | 76 | 80 |    |    |    |    |
|                              | 8225DA         |           |                                    |                                   |       | 179000                           | 18200 | 1.12    |                                    |                                   |       | 179000                           | 18200 | 1.36    | 53   | 59     | 63    | 70 | 76 | 80 |    |    |    |    |
|                              | 8235DA         |           |                                    |                                   |       | 208000                           | 21200 | 1.42    |                                    |                                   |       | 208000                           | 21200 | 1.71    | 53   | 59     | 63    | 70 | 76 | 80 |    |    |    |    |
|                              | 8255DA         |           |                                    |                                   |       | 258000                           | 26300 | 1.89    |                                    |                                   |       | 258000                           | 26300 | 2.28    | 53   | 59     | 63    | 70 | 76 | 80 |    |    |    |    |
|                              | 8265DA         |           |                                    |                                   |       | 276000                           | 28100 | 2.52    |                                    |                                   |       | 276000                           | 28100 | 3.05    | 53   | 59     | 63    | 70 | 76 | 80 |    |    |    |    |

※ Frame sizes in Blue are the recommended models for 24 hours/day with uniform load. 均勻負載下·減速機連續使用 24 小時·建議使用標註藍色型號或更大型號。

# Service Factor 安全係數表

|                 |                |      |     |      |      |
|-----------------|----------------|------|-----|------|------|
| 5.5 kW<br>7½ HP | Hz             | 50Hz |     | 60Hz |      |
|                 | Pole           | 4    | 6   | 4    | 6    |
|                 | n <sub>1</sub> | 1450 | 980 | 1750 | 1165 |

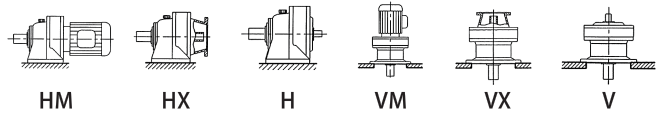


| Model 型式                     |                 | 50Hz       |                                    |                                   |       |                                  |       |         | 60Hz                               |                                   |       |                                  |       |         |      | Dimension Page 頁數① |       |    |    |    |    |    |    |    |
|------------------------------|-----------------|------------|------------------------------------|-----------------------------------|-------|----------------------------------|-------|---------|------------------------------------|-----------------------------------|-------|----------------------------------|-------|---------|------|--------------------|-------|----|----|----|----|----|----|----|
| Input Capacity Symbol 馬力編號 ② | Frame Size 型號 ③ | Ratio 速比 ④ | Output Speed 轉速 n <sub>2</sub> rpm | Output Torque 扭矩 T <sub>out</sub> |       | Allowable Radial Load 應許徑向負載 Pro |       | SF 安全係數 | Output Speed 轉速 n <sub>2</sub> rpm | Output Torque 扭矩 T <sub>out</sub> |       | Allowable Radial Load 應許徑向負載 Pro |       | SF 安全係數 | HM   | HX                 | H     | VM | VX | V  |    |    |    |    |
|                              |                 |            |                                    | N.m                               | Kgf.m | N                                | kgf   |         |                                    | N.m                               | Kgf.m | N                                | kgf   |         |      |                    |       |    |    |    |    |    |    |    |
| 8                            | 8225DA          | 649        | 2.23                               | 21200                             | 2160  | 159000                           | 14800 | *       | 2.70                               | 17500                             | 1790  | 145000                           | 14800 | *       | 53   | 59                 | 63    | 70 | 76 | 80 |    |    |    |    |
|                              | 8235DA          |            |                                    |                                   |       | 179000                           | 18200 | 0.97    |                                    |                                   |       | 179000                           | 18200 | 1.17    |      |                    |       |    |    |    |    |    |    |    |
|                              | 8245DA          |            |                                    |                                   |       | 208000                           | 21200 | 1.22    |                                    |                                   |       | 208000                           | 21200 | 1.47    |      |                    |       |    |    |    |    |    |    |    |
|                              | 8255DA          |            |                                    |                                   |       | 258000                           | 26300 | 1.63    |                                    |                                   |       | 258000                           | 26300 | 1.97    |      |                    |       |    |    |    |    |    |    |    |
|                              | 8265DA          |            |                                    |                                   |       | 276000                           | 28100 | 2.17    |                                    |                                   |       | 276000                           | 28100 | 2.62    |      |                    |       |    |    |    |    |    |    |    |
| 8                            | 8225DA          | 731        | 1.98                               | 23800                             | 2430  | 16000                            | 1630  | 145000  | 14800                              | *                                 | 2.39  | 19700                            | 2010  | 16000   | 1630 | 145000             | 14800 | *  | 53 | 59 | 63 | 70 | 76 | 80 |
|                              | 8235DA          |            |                                    |                                   |       | 179000                           | 18200 | 0.86    | 179000                             | 18200                             |       |                                  |       | 1.04    |      |                    |       |    |    |    |    |    |    |    |
|                              | 8245DA          |            |                                    |                                   |       | 208000                           | 21200 | 1.08    | 208000                             | 21200                             |       |                                  |       | 1.31    |      |                    |       |    |    |    |    |    |    |    |
|                              | 8255DA          |            |                                    |                                   |       | 258000                           | 26300 | 1.45    | 258000                             | 26300                             |       |                                  |       | 1.75    |      |                    |       |    |    |    |    |    |    |    |
|                              | 8265DA          |            |                                    |                                   |       | 276000                           | 28100 | 1.93    | 276000                             | 28100                             |       |                                  |       | 2.33    |      |                    |       |    |    |    |    |    |    |    |
| 8                            | 8235DA          | 841        | 1.72                               | 27400                             | 2790  | 18900                            | 1930  | 179000  | 18200                              | *                                 | 2.08  | 22700                            | 2320  | 18900   | 1930 | 179000             | 18200 | *  | 53 | 59 | 63 | 70 | 76 | 80 |
|                              | 8245DA          |            |                                    |                                   |       | 208000                           | 21200 | 0.94    | 208000                             | 21200                             |       |                                  |       | 1.14    |      |                    |       |    |    |    |    |    |    |    |
|                              | 8255DA          |            |                                    |                                   |       | 258000                           | 26300 | 1.18    | 258000                             | 26300                             |       |                                  |       | 1.43    |      |                    |       |    |    |    |    |    |    |    |
|                              | 8265DA          |            |                                    |                                   |       | 276000                           | 28100 | 1.68    | 276000                             | 28100                             |       |                                  |       | 2.02    |      |                    |       |    |    |    |    |    |    |    |
| 8                            | 8245DA          | 1003       | 1.45                               | 32700                             | 3330  | 25800                            | 2630  | 208000  | 21200                              | *                                 | 1.74  | 27100                            | 2760  | 25800   | 2630 | 208000             | 21200 | *  | 53 | 59 | 63 | 70 | 76 | 80 |
|                              | 8255DA          |            |                                    |                                   |       | 258000                           | 26300 | 1.06    | 258000                             | 26300                             |       |                                  |       | 1.27    |      |                    |       |    |    |    |    |    |    |    |
|                              | 8265DA          |            |                                    |                                   |       | 276000                           | 28100 | 1.41    | 276000                             | 28100                             |       |                                  |       | 1.70    |      |                    |       |    |    |    |    |    |    |    |
| 8                            | 8245DA          | 1247       | 1.16                               | 40700                             | 41400 | 25800                            | 2630  | 208000  | 21200                              | *                                 | 1.40  | 33700                            | 3430  | 25800   | 2630 | 208000             | 21200 | *  | 53 | 59 | 63 | 70 | 76 | 80 |
|                              | 8255DA          |            |                                    |                                   |       | 258000                           | 26300 | 0.85    | 258000                             | 26300                             |       |                                  |       | 1.02    |      |                    |       |    |    |    |    |    |    |    |
| 8                            | 8255DA          | 1479       | 0.980                              | 48200                             | 4920  | 31000                            | 3160  | 258000  | 26300                              | *                                 | 1.18  | 40000                            | 4070  | 31000   | 3160 | 258000             | 26300 | *  | 53 | 59 | 63 | 70 | 76 | 80 |
|                              | 8265DA          |            |                                    |                                   |       | 276000                           | 28100 | 0.91    | 276000                             | 28100                             |       |                                  |       | 1.10    |      |                    |       |    |    |    |    |    |    |    |
| 8                            | 8255DA          | 1849       | 0.784                              | 46000                             | 4690  | 34500                            | 3520  | 258000  | 26300                              | *                                 | 0.946 | 46000                            | 4690  | 34500   | 3520 | 258000             | 26300 | *  | 53 | 59 | 63 | 70 | 76 | 80 |
|                              | 8265DA          |            |                                    |                                   |       | 276000                           | 28100 | *       | 276000                             | 28100                             |       |                                  |       | *       |      |                    |       |    |    |    |    |    |    |    |
| 8                            | 8265DA          | 2065       | 0.702                              | 46000                             | 4690  | 276000                           | 28100 | *       | 0.847                              | 46000                             | 4690  | 276000                           | 28100 | *       | 53   | 59                 | 63    | 70 | 76 | 80 |    |    |    |    |
| 8                            | 8265DA          | 2537       | 0.572                              | 46000                             | 4690  | 276000                           | 28100 | *       | 0.690                              | 46000                             | 4690  | 276000                           | 28100 | *       | 53   | 59                 | 63    | 70 | 76 | 80 |    |    |    |    |
| 8                            | 8265DA          | 3045       | 0.476                              | 44000                             | 4490  | 276000                           | 28100 | *       | 0.575                              | 44000                             | 4490  | 276000                           | 28100 | *       | 53   | 59                 | 63    | 70 | 76 | 80 |    |    |    |    |
| 8                            | 8265DA          | 3481       | 0.417                              | 46000                             | 4690  | 276000                           | 28100 | *       | 0.503                              | 46000                             | 4690  | 276000                           | 28100 | *       | 53   | 59                 | 63    | 70 | 76 | 80 |    |    |    |    |
| 8                            | 8265DA          | 4437       | 0.327                              | 44000                             | 4490  | 276000                           | 28100 | *       | 0.394                              | 44000                             | 4490  | 276000                           | 28100 | *       | 53   | 59                 | 63    | 70 | 76 | 80 |    |    |    |    |
| 8                            | 8265DA          | 5133       | 0.282                              | 46000                             | 4690  | 276000                           | 28100 | *       | 0.341                              | 46000                             | 4690  | 276000                           | 28100 | *       | 53   | 59                 | 63    | 70 | 76 | 80 |    |    |    |    |
| 8                            | 8265DA          | 6177       | 0.235                              | 44000                             | 4490  | 276000                           | 28100 | *       | 0.283                              | 44000                             | 4490  | 276000                           | 28100 | *       | 53   | 59                 | 63    | 70 | 76 | 80 |    |    |    |    |
| 8                            | 8265DA          | 7569       | 0.192                              | 44000                             | 4490  | 276000                           | 28100 | *       | 0.231                              | 44000                             | 4490  | 276000                           | 28100 | *       | 53   | 59                 | 63    | 70 | 76 | 80 |    |    |    |    |

※ Frame sizes in Blue are the recommended models for 24 hours/day with uniform load. 均勻負載下，減速機連續使用 24 小時，建議使用標註藍色型號或更大型號。

# Service Factor 安全係數表

|                 |                |      |     |      |      |
|-----------------|----------------|------|-----|------|------|
| 7.5 kW<br>10 HP | Hz             | 50Hz |     | 60Hz |      |
|                 | Pole           | 4    | 6   | 4    | 6    |
|                 | n <sub>1</sub> | 1450 | 980 | 1750 | 1165 |

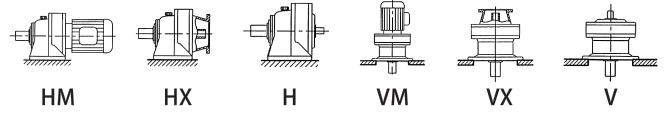


| Model 型式                    |                | 50Hz      |                                |                                   |      |                                  |      | 60Hz    |                                |                                   |      |                                  |       | Dimension Page 頁數① |    |    |    |    |    |    |
|-----------------------------|----------------|-----------|--------------------------------|-----------------------------------|------|----------------------------------|------|---------|--------------------------------|-----------------------------------|------|----------------------------------|-------|--------------------|----|----|----|----|----|----|
| Input Capacity Symbol 馬力編號② | Frame Size 型號③ | Ratio 速比④ | Output Speed 轉速 n <sub>2</sub> | Output Torque 扭矩 T <sub>out</sub> |      | Allowable Radial Load 應許徑向負載 Pro |      | SF 安全係數 | Output Speed 轉速 n <sub>2</sub> | Output Torque 扭矩 T <sub>out</sub> |      | Allowable Radial Load 應許徑向負載 Pro |       | SF 安全係數            | HM | HX | H  | VM | VX | V  |
|                             |                |           |                                | rpm                               | N.m  | Kgf.m                            | N    |         |                                | kgf                               | rpm  | N.m                              | Kgf.m |                    |    |    |    |    |    |    |
| 10                          | 8135           | 6         | 242                            | 282                               | 28.7 | 5980                             | 610  | 1.51    | 292                            | 233                               | 23.8 | 5650                             | 576   | 1.51               | 48 | 56 | 61 | 65 | 73 | 78 |
|                             | 8145           |           |                                |                                   |      | 9330                             | 951  | 2.01    |                                |                                   |      | 8830                             | 901   | 2.01               | 48 | 56 | 61 | 65 | 73 | 78 |
|                             | 8165           |           |                                |                                   |      | 10400                            | 1070 | 2.71    |                                |                                   |      | 9830                             | 1000  | 2.71               | 48 | 56 | 61 | 65 | 73 | 78 |
| 10                          | 8135           | 8         | 181                            | 375                               | 38.3 | 6650                             | 678  | 1.51    | 219                            | 311                               | 31.7 | 6290                             | 641   | 1.25               | 48 | 56 | 61 | 65 | 73 | 78 |
|                             | 8145           |           |                                |                                   |      | 10300                            | 1050 | 2.01    |                                |                                   |      | 9790                             | 998   | 1.73               | 48 | 56 | 61 | 65 | 73 | 78 |
|                             | 8165           |           |                                |                                   |      | 11700                            | 1190 | 2.63    |                                |                                   |      | 11000                            | 1120  | 2.63               | 48 | 56 | 61 | 65 | 73 | 78 |
| 10                          | 8135           | 11        | 132                            | 516                               | 52.6 | 7570                             | 771  | 1.51    | 159                            | 428                               | 43.6 | 7150                             | 729   | 1.51               | 48 | 56 | 61 | 65 | 73 | 78 |
|                             | 8145           |           |                                |                                   |      | 11600                            | 1180 | 2.01    |                                |                                   |      | 11000                            | 1120  | 1.73               | 48 | 56 | 61 | 65 | 73 | 78 |
|                             | 8165           |           |                                |                                   |      | 13200                            | 1350 | 2.63    |                                |                                   |      | 12500                            | 1270  | 2.63               | 48 | 56 | 61 | 65 | 73 | 78 |
| 10                          | 8135           | 13        | 112                            | 610                               | 62.2 | 7860                             | 801  | 1.36    | 135                            | 505                               | 51.5 | 7430                             | 758   | 1.25               | 48 | 56 | 61 | 65 | 73 | 78 |
|                             | 8145           |           |                                |                                   |      | 11800                            | 1210 | 2.01    |                                |                                   |      | 11200                            | 1140  | 1.73               | 48 | 56 | 61 | 65 | 73 | 78 |
|                             | 8165           |           |                                |                                   |      | 13800                            | 1410 | 2.63    |                                |                                   |      | 13000                            | 1330  | 2.63               | 48 | 56 | 61 | 65 | 73 | 78 |
| 10                          | 8135           | 15        | 96.7                           | 704                               | 71.8 | 8000                             | 815  | 1.20    | 117                            | 583                               | 59.5 | 7570                             | 771   | 1.20               | 48 | 56 | 61 | 65 | 73 | 78 |
|                             | 8145           |           |                                |                                   |      | 12400                            | 1260 | 1.93    |                                |                                   |      | 11700                            | 1200  | 2.01               | 48 | 56 | 61 | 65 | 73 | 78 |
|                             | 8165           |           |                                |                                   |      | 14700                            | 1490 | 2.99    |                                |                                   |      | 13800                            | 1410  | 3.01               | 48 | 56 | 61 | 65 | 73 | 78 |
| 10                          | 8135           | 17        | 85.3                           | 798                               | 81.3 | 8550                             | 872  | 1.11    | 103                            | 661                               | 67.4 | 8100                             | 826   | 1.11               | 48 | 56 | 61 | 65 | 73 | 78 |
|                             | 8145           |           |                                |                                   |      | 12900                            | 1320 | 1.60    |                                |                                   |      | 12200                            | 1250  | 1.60               | 48 | 56 | 61 | 65 | 73 | 78 |
|                             | 8165           |           |                                |                                   |      | 15100                            | 1540 | 2.51    |                                |                                   |      | 14300                            | 1450  | 2.51               | 48 | 56 | 61 | 65 | 73 | 78 |
|                             | 8175           |           |                                |                                   |      | 17100                            | 1740 | 2.63    |                                |                                   |      | 16100                            | 1640  | 2.63               | 48 | 56 | 61 | 65 | 73 | 78 |
| 10                          | 8135           | 21        | 69.0                           | 985                               | 100  | 9050                             | 923  | 0.90    | 83.3                           | 817                               | 83.2 | 8590                             | 876   | 1.00               | 48 | 56 | 61 | 65 | 73 | 78 |
|                             | 8145           |           |                                |                                   |      | 13800                            | 1410 | 1.27    |                                |                                   |      | 13100                            | 1330  | 1.47               | 48 | 56 | 61 | 65 | 73 | 78 |
|                             | 8165           |           |                                |                                   |      | 16200                            | 1650 | 2.13    |                                |                                   |      | 15300                            | 1560  | 2.15               | 48 | 56 | 61 | 65 | 73 | 78 |
|                             | 8175           |           |                                |                                   |      | 18400                            | 1880 | 2.48    |                                |                                   |      | 17400                            | 1770  | 2.60               | 48 | 56 | 61 | 65 | 73 | 78 |
| 10                          | 8145           | 25        | 58.0                           | 1170                              | 120  | 14400                            | 1470 | 1.05    | 70.0                           | 972                               | 99.1 | 13700                            | 1390  | 1.05               | 48 | 56 | 61 | 65 | 73 | 78 |
|                             | 8165           |           |                                |                                   |      | 16900                            | 1720 | 1.79    |                                |                                   |      | 15900                            | 1630  | 2.01               | 48 | 56 | 61 | 65 | 73 | 78 |
|                             | 8175           |           |                                |                                   |      | 19100                            | 1940 | 2.60    |                                |                                   |      | 18000                            | 1830  | 2.60               | 48 | 56 | 61 | 65 | 73 | 78 |
| 10                          | 8145           | 29        | 50.0                           | 1360                              | 139  | 14700                            | 1500 | 1.00    | 60.3                           | 1130                              | 115  | 14000                            | 1420  | 1.00               | 48 | 56 | 61 | 65 | 73 | 78 |
|                             | 8165           |           |                                |                                   |      | 17600                            | 1790 | 1.52    |                                |                                   |      | 16600                            | 1690  | 1.52               | 48 | 56 | 61 | 65 | 73 | 78 |
|                             | 8175           |           |                                |                                   |      | 20100                            | 2050 | 2.32    |                                |                                   |      | 18900                            | 1930  | 2.51               | 48 | 56 | 61 | 65 | 73 | 78 |
|                             | 8185           |           |                                |                                   |      | 26800                            | 2740 | 2.60    |                                |                                   |      | 25300                            | 2580  | 2.60               | 48 | 56 | 61 | 65 | 73 | 78 |
| 10                          | 8145           | 35        | 41.4                           | 1640                              | 167  | 14500                            | 1480 | 0.83    | 50.0                           | 1360                              | 139  | 14900                            | 1520  | 1.00               | 48 | 56 | 61 | 65 | 73 | 78 |
|                             | 8165           |           |                                |                                   |      | 18600                            | 1890 | 1.28    |                                |                                   |      | 17500                            | 1790  | 1.52               | 48 | 56 | 61 | 65 | 73 | 78 |
|                             | 8175           |           |                                |                                   |      | 21200                            | 2160 | 1.92    |                                |                                   |      | 20000                            | 2040  | 2.01               | 48 | 56 | 61 | 65 | 73 | 78 |
|                             | 8185           |           |                                |                                   |      | 28600                            | 2920 | 2.47    |                                |                                   |      | 26900                            | 2750  | 2.51               | 48 | 56 | 61 | 65 | 73 | 78 |
| 10                          | 8165           | 43        | 33.7                           | 2020                              | 206  | 19700                            | 2010 | 1.04    | 40.7                           | 1670                              | 170  | 18600                            | 1900  | 1.05               | 48 | 56 | 61 | 65 | 73 | 78 |
|                             | 8175           |           |                                |                                   |      | 22500                            | 2300 | 1.51    |                                |                                   |      | 21300                            | 2170  | 1.51               | 48 | 56 | 61 | 65 | 73 | 78 |
|                             | 8185           |           |                                |                                   |      | 30700                            | 3130 | 2.48    |                                |                                   |      | 28900                            | 2950  | 2.51               | 48 | 56 | 61 | 65 | 73 | 78 |
|                             | 8195           |           |                                |                                   |      | 42800                            | 4370 | 2.79    |                                |                                   |      | 40300                            | 4110  | 2.79               | 48 | 56 | 61 | 65 | 73 | 78 |
| 10                          | 8165           | 51        | 28.4                           | 2390                              | 244  | 20400                            | 2080 | 0.88    | 34.3                           | 1980                              | 202  | 19300                            | 1970  | 1.00               | 48 | 56 | 61 | 65 | 73 | 78 |
|                             | 8175           |           |                                |                                   |      | 23400                            | 2390 | 1.32    |                                |                                   |      | 22100                            | 2250  | 1.51               | 48 | 56 | 61 | 65 | 73 | 78 |
|                             | 8185           |           |                                |                                   |      | 31700                            | 3230 | 2.01    |                                |                                   |      | 29900                            | 3050  | 2.01               | 48 | 56 | 61 | 65 | 73 | 78 |
|                             | 8195           |           |                                |                                   |      | 44800                            | 4560 | 2.79    |                                |                                   |      | 42100                            | 4290  | 2.79               | 48 | 56 | 61 | 65 | 73 | 78 |
| 10                          | 8175           | 59        | 24.6                           | 2770                              | 282  | 24400                            | 2490 | 1.11    | 29.7                           | 2290                              | 234  | 23100                            | 2360  | 1.11               | 48 | 56 | 61 | 65 | 73 | 78 |
|                             | 8185           |           |                                |                                   |      | 33100                            | 3380 | 1.30    |                                |                                   |      | 31200                            | 3180  | 1.60               | 48 | 56 | 61 | 65 | 73 | 78 |
|                             | 8195           |           |                                |                                   |      | 46800                            | 4770 | 2.51    |                                |                                   |      | 44000                            | 4490  | 2.51               | 48 | 56 | 61 | 65 | 73 | 78 |
| 10                          | 8175           | 71        | 20.4                           | 3330                              | 340  | 25700                            | 2620 | 0.93    | 24.6                           | 2760                              | 281  | 24300                            | 2480  | 0.95               | 48 | 56 | 61 | 65 | 73 | 78 |
|                             | 8185           |           |                                |                                   |      | 35100                            | 3580 | 1.31    |                                |                                   |      | 33100                            | 3380  | 1.31               | 48 | 56 | 61 | 65 | 73 | 78 |
|                             | 8195           |           |                                |                                   |      | 49600                            | 5050 | 2.08    |                                |                                   |      | 46700                            | 4760  | 2.08               | 48 | 56 | 61 | 65 | 73 | 78 |
| 10                          | 8185           | 87        | 16.7                           | 4080                              | 416  | 37700                            | 3840 | 1.15    | 20.1                           | 3380                              | 345  | 35600                            | 3620  | 1.15               | 48 | 56 | 61 | 65 | 73 | 78 |
|                             | 8195           |           |                                |                                   |      | 53300                            | 5430 | 1.81    |                                |                                   |      | 50200                            | 5120  | 1.81               | 48 | 56 | 61 | 65 | 73 | 78 |

※ Frame sizes in Blue are the recommended models for 24 hours/day with uniform load. 均勻負載下，減速機連續使用 24 小時，建議使用標註藍色型號或更大型號。

# Service Factor 安全係數表

|                 |                |      |     |      |      |
|-----------------|----------------|------|-----|------|------|
| 7.5 kW<br>10 HP | Hz             | 50Hz |     | 60Hz |      |
|                 | Pole           | 4    | 6   | 4    | 6    |
|                 | n <sub>1</sub> | 1450 | 980 | 1750 | 1165 |



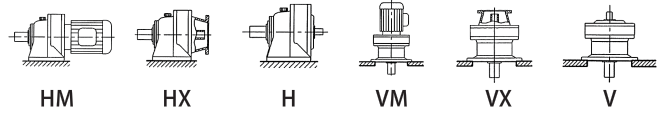
| Model 型式                    |                |           | 50Hz                               |                                   |       |                                  |       |         | 60Hz                               |                                   |       |                                  |       |         | Dimension Page 頁數① |       |      |    |    |    |    |    |    |    |
|-----------------------------|----------------|-----------|------------------------------------|-----------------------------------|-------|----------------------------------|-------|---------|------------------------------------|-----------------------------------|-------|----------------------------------|-------|---------|--------------------|-------|------|----|----|----|----|----|----|----|
| Input Capacity Symbol 馬力編號② | Frame Size 型號③ | Ratio 速比④ | Output Speed 轉速 n <sub>2</sub> rpm | Output Torque 扭矩 T <sub>out</sub> |       | Allowable Radial Load 應許徑向負載 Pro |       | SF 安全係數 | Output Speed 轉速 n <sub>2</sub> rpm | Output Torque 扭矩 T <sub>out</sub> |       | Allowable Radial Load 應許徑向負載 Pro |       | SF 安全係數 | HM                 | HX    | H    | VM | VX | V  |    |    |    |    |
|                             |                |           |                                    | N.m                               | Kgf.m | N                                | kgf   |         |                                    | N.m                               | Kgf.m | N                                | kgf   |         |                    |       |      |    |    |    |    |    |    |    |
| 10                          | 8185DB         | 104       | 13.9                               | 4620                              | 471   | 40000                            | 4080  | 1.06    | 16.8                               | 3830                              | 391   | 37800                            | 3850  | 1.28    | 53                 | 60    | 62   | 70 | 77 | 80 |    |    |    |    |
|                             | 8195DB         |           |                                    |                                   |       | 56400                            | 5750  | 1.59    |                                    |                                   |       | 53200                            | 5420  | 1.59    | 53                 | 60    | 63   | 70 | 77 | 80 |    |    |    |    |
| 10                          | 8185DB         | 121       | 12.0                               | 5380                              | 548   | 41700                            | 4250  | 0.89    | 14.5                               | 4460                              | 454   | 40100                            | 4090  | 1.08    | 53                 | 60    | 62   | 70 | 77 | 80 |    |    |    |    |
|                             | 8195DB         |           |                                    |                                   |       | 59000                            | 6010  | 1.41    |                                    |                                   |       | 56600                            | 5770  | 1.59    | 53                 | 60    | 63   | 70 | 77 | 80 |    |    |    |    |
|                             | 8205DB         |           |                                    |                                   |       | 84100                            | 8570  | 1.59    |                                    |                                   |       | 84100                            | 8570  | 1.59    | 53                 | 60    | 63   | 70 | 77 | 80 |    |    |    |    |
|                             | 8215DB         |           |                                    |                                   |       | 104000                           | 10600 | 2.12    |                                    |                                   |       | 102000                           | 10400 | 2.55    | 53                 | 60    | 63   | 70 | 77 | 80 |    |    |    |    |
|                             | 8225DB         |           |                                    |                                   |       | 115000                           | 11700 | 2.50    |                                    |                                   |       | 109000                           | 11100 | 3.02    | 53                 | 60    | 63   | 70 | 77 | 80 |    |    |    |    |
| 10                          | 8185DB         | 143       | 10.1                               | 4900                              | 500   | 41700                            | 4250  | *       | 12.2                               | 4900                              | 500   | 41700                            | 4250  | *       | 53                 | 60    | 62   | 70 | 77 | 80 |    |    |    |    |
|                             | 8195DB         |           |                                    | 6360                              | 648   | 58700                            | 5980  | 1.20    |                                    | 5270                              | 537   | 58800                            | 5990  | 1.45    | 53                 | 60    | 63   | 70 | 77 | 80 |    |    |    |    |
| 10                          | 8195DB         | 165       | 8.79                               | 7340                              | 748   | 58500                            | 5960  | 1.08    | 10.6                               | 6080                              | 620   | 59000                            | 6010  | 1.30    | 53                 | 60    | 63   | 70 | 77 | 80 |    |    |    |    |
|                             | 8205DB         |           |                                    |                                   |       | 84100                            | 8570  | 1.26    |                                    |                                   |       | 84100                            | 8570  | 1.53    | 53                 | 60    | 63   | 70 | 77 | 80 |    |    |    |    |
|                             | 8215DA         |           |                                    |                                   |       | 104000                           | 10600 | 1.59    |                                    |                                   |       | 104000                           | 10600 | 1.59    | 53                 | 60    | 63   | 70 | 77 | 80 |    |    |    |    |
|                             | 8215DB         |           |                                    |                                   |       | 104000                           | 10600 | 1.66    |                                    |                                   |       | 104000                           | 10600 | 2.00    | 53                 | 60    | 63   | 70 | 77 | 80 |    |    |    |    |
|                             | 8225DB         |           |                                    |                                   |       | 124000                           | 12600 | 1.97    |                                    |                                   |       | 117000                           | 12000 | 2.38    | 53                 | 60    | 63   | 70 | 77 | 80 |    |    |    |    |
|                             | 8235DA         |           |                                    |                                   |       | 154000                           | 15700 | 2.67    |                                    |                                   |       | 146000                           | 14800 | 3.23    | 53                 | 60    | 63   | 70 | 77 | 80 |    |    |    |    |
|                             | 8195DB         |           |                                    |                                   |       | 59000                            | 6010  | 0.96    |                                    |                                   |       | 59000                            | 6010  | 1.16    | 53                 | 60    | 63   | 70 | 77 | 80 |    |    |    |    |
|                             | 8205DB         |           |                                    |                                   |       | 84100                            | 8570  | 1.04    |                                    |                                   |       | 84100                            | 8570  | 1.10    | 53                 | 60    | 63   | 70 | 77 | 80 |    |    |    |    |
| 10                          | 8215DB         | 187       | 7.75                               | 8310                              | 847   | 104000                           | 10600 | 1.37    | 9.40                               | 6890                              | 702   | 104000                           | 10600 | 1.65    | 53                 | 60    | 63   | 70 | 77 | 80 |    |    |    |    |
|                             | 8225DB         |           |                                    |                                   |       | 130000                           | 13200 | 1.62    |                                    |                                   |       | 123000                           | 12500 | 1.96    | 53                 | 60    | 63   | 70 | 77 | 80 |    |    |    |    |
|                             | 8235DA         |           |                                    |                                   |       | 163000                           | 16600 | 2.25    |                                    |                                   |       | 154000                           | 15600 | 2.51    | 53                 | 60    | 63   | 70 | 77 | 80 |    |    |    |    |
| 10                          | 8195DB         | 195       | 7.44                               | 8670                              | 884   | 58000                            | 5910  | 0.91    | 8.97                               | 7180                              | 732   | 58600                            | 5970  | 1.10    | 53                 | 60    | 63   | 70 | 77 | 80 |    |    |    |    |
|                             | 8205DB         |           |                                    |                                   |       | 84100                            | 8570  | 1.07    |                                    |                                   |       | 84100                            | 8570  | 1.29    | 53                 | 60    | 63   | 70 | 77 | 80 |    |    |    |    |
|                             | 8215DA         |           |                                    |                                   |       | 104000                           | 10600 | 1.40    |                                    |                                   |       | 104000                           | 10600 | 1.59    | 53                 | 60    | 63   | 70 | 77 | 80 |    |    |    |    |
|                             | 8215DB         |           |                                    |                                   |       | 104000                           | 10600 | 1.40    |                                    |                                   |       | 104000                           | 10600 | 1.69    | 53                 | 60    | 63   | 70 | 77 | 80 |    |    |    |    |
|                             | 8225DA         |           |                                    |                                   |       | 130000                           | 13300 | 1.44    |                                    |                                   |       | 123000                           | 12600 | 1.59    | 53                 | 60    | 63   | 70 | 77 | 80 |    |    |    |    |
|                             | 8225DB         |           |                                    |                                   |       | 130000                           | 13300 | 1.67    |                                    |                                   |       | 123000                           | 12600 | 2.02    | 53                 | 60    | 63   | 70 | 77 | 80 |    |    |    |    |
|                             | 8235DA         |           |                                    |                                   |       | 162000                           | 16500 | 2.26    |                                    |                                   |       | 153000                           | 15600 | 2.73    | 53                 | 60    | 63   | 70 | 77 | 80 |    |    |    |    |
|                             | 8195DB         |           |                                    |                                   |       | 7960                             | 811   | 59000   |                                    |                                   |       | 6010                             | *     | 7960    | 811                | 59000 | 6010 | *  | 53 | 60 | 63 | 70 | 77 | 80 |
|                             | 8205DB         |           |                                    |                                   |       | 84100                            | 8570  | 0.90    |                                    |                                   |       | 84100                            | 8570  | 1.09    | 53                 | 60    | 63   | 70 | 77 | 80 |    |    |    |    |
|                             | 8215DA         |           |                                    |                                   |       | 104000                           | 10600 | 1.22    |                                    |                                   |       | 104000                           | 10600 | 1.47    | 53                 | 60    | 63   | 70 | 77 | 80 |    |    |    |    |
| 10                          | 8225DA         | 231       | 6.28                               | 10300                             | 1050  | 138000                           | 14100 | 1.44    | 7.58                               | 8510                              | 867   | 131000                           | 13400 | 1.59    | 53                 | 60    | 63   | 70 | 77 | 80 |    |    |    |    |
|                             | 8225DB         |           |                                    |                                   |       | 138000                           | 14100 | 1.44    |                                    |                                   |       | 131000                           | 13400 | 1.74    | 53                 | 60    | 63   | 70 | 77 | 80 |    |    |    |    |
|                             | 8235DA         |           |                                    |                                   |       | 173000                           | 17600 | 1.84    |                                    |                                   |       | 164000                           | 16700 | 2.22    | 53                 | 60    | 63   | 70 | 77 | 80 |    |    |    |    |
|                             | 8245DA         |           |                                    |                                   |       | 192000                           | 19600 | 2.51    |                                    |                                   |       | 182000                           | 18600 | 3.03    | 53                 | 60    | 63   | 70 | 77 | 80 |    |    |    |    |
|                             | 8205DB         |           |                                    |                                   |       | 9270                             | 945   | 84100   |                                    |                                   |       | 8570                             | *     | 9270    | 945                | 84100 | 8570 | *  | 53 | 60 | 63 | 70 | 77 | 80 |
| 10                          | 8215DA         | 273       | 5.31                               | 12100                             | 1240  | 104000                           | 10600 | 1.03    | 6.41                               | 10100                             | 1030  | 104000                           | 10600 | 1.24    | 53                 | 60    | 63   | 70 | 77 | 80 |    |    |    |    |
|                             | 8225DA         |           |                                    |                                   |       | 145000                           | 14800 | 1.22    |                                    |                                   |       | 138000                           | 14000 | 1.47    | 53                 | 60    | 63   | 70 | 77 | 80 |    |    |    |    |
|                             | 8235DA         |           |                                    |                                   |       | 179000                           | 18200 | 1.56    |                                    |                                   |       | 172000                           | 17500 | 1.88    | 53                 | 60    | 63   | 70 | 77 | 80 |    |    |    |    |
|                             | 8245DA         |           |                                    |                                   |       | 202000                           | 20600 | 2.13    |                                    |                                   |       | 191000                           | 19500 | 2.57    | 53                 | 60    | 63   | 70 | 77 | 80 |    |    |    |    |
|                             | 8255DA         |           |                                    |                                   |       | 246000                           | 25100 | 2.55    |                                    |                                   |       | 233000                           | 23700 | 3.08    | 53                 | 60    | 63   | 70 | 77 | 80 |    |    |    |    |
|                             | 8215DA         |           |                                    |                                   |       | 104000                           | 10600 | 0.89    |                                    |                                   |       | 104000                           | 10600 | 1.08    | 53                 | 60    | 63   | 70 | 77 | 80 |    |    |    |    |
|                             | 8225DA         |           |                                    |                                   |       | 145000                           | 14800 | 1.06    |                                    |                                   |       | 143000                           | 14600 | 1.28    | 53                 | 60    | 63   | 70 | 77 | 80 |    |    |    |    |
| 10                          | 8235DA         | 319       | 4.55                               | 14200                             | 1450  | 179000                           | 18200 | 1.33    | 5.49                               | 11800                             | 1200  | 179000                           | 18200 | 1.61    | 53                 | 60    | 63   | 70 | 77 | 80 |    |    |    |    |
|                             | 8245DA         |           |                                    |                                   |       | 208000                           | 21200 | 1.82    |                                    |                                   |       | 199000                           | 20300 | 2.20    | 53                 | 60    | 63   | 70 | 77 | 80 |    |    |    |    |
|                             | 8255DA         |           |                                    |                                   |       | 258000                           | 26300 | 2.29    |                                    |                                   |       | 245000                           | 25000 | 2.76    | 53                 | 60    | 63   | 70 | 77 | 80 |    |    |    |    |
| 10                          | 8215DA         | 377       | 3.85                               | 12700                             | 1290  | 104000                           | 10600 | *       | 4.64                               | 12700                             | 1290  | 104000                           | 10600 | *       | 53                 | 60    | 63   | 70 | 77 | 80 |    |    |    |    |
|                             | 8225DA         |           |                                    |                                   |       | 145000                           | 14800 | 0.90    |                                    |                                   |       | 145000                           | 14800 | 1.08    | 53                 | 60    | 63   | 70 | 77 | 80 |    |    |    |    |
|                             | 8235DA         |           |                                    |                                   |       | 179000                           | 18200 | 1.13    |                                    |                                   |       | 179000                           | 18200 | 1.36    | 53                 | 60    | 63   | 70 | 77 | 80 |    |    |    |    |
|                             | 8245DA         |           |                                    |                                   |       | 208000                           | 21200 | 1.54    |                                    |                                   |       | 208000                           | 21200 | 1.86    | 53                 | 60    | 63   | 70 | 77 | 80 |    |    |    |    |
|                             | 8255DA         |           |                                    |                                   |       | 258000                           | 26300 | 1.94    |                                    |                                   |       | 257000                           | 26200 | 2.34    | 53                 | 60    | 63   | 70 | 77 | 80 |    |    |    |    |
|                             | 8265DA         |           |                                    |                                   |       | 276000                           | 28100 | 2.74    |                                    |                                   |       | 276000                           | 28100 | 3.31    | 53                 | 60    | 63   | 70 | 77 | 80 |    |    |    |    |

\* Frame sizes in Blue are the recommended models for 24 hours/day with uniform load. 均勻負載下，減速機連續使用 24 小時，建議使用標註藍色型號或更大型號。



# Service Factor 安全係數表

|                 |                |      |     |      |      |
|-----------------|----------------|------|-----|------|------|
| 7.5 kW<br>10 HP | Hz             | 50Hz |     | 60Hz |      |
|                 | Pole           | 4    | 6   | 4    | 6    |
|                 | n <sub>1</sub> | 1450 | 980 | 1750 | 1165 |

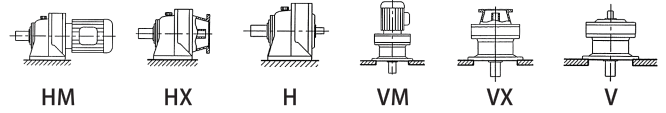


| Model 型式                     |                | 50Hz      |                                |                                   |       |                                  |        | 60Hz    |                                |                                   |       |                                  |        | Dimension Page 頁數① |      |    |    |    |    |    |    |     |  |
|------------------------------|----------------|-----------|--------------------------------|-----------------------------------|-------|----------------------------------|--------|---------|--------------------------------|-----------------------------------|-------|----------------------------------|--------|--------------------|------|----|----|----|----|----|----|-----|--|
| Input Capacity Symbol 馬力 編號② | Frame Size 型號③ | Ratio 速比④ | Output Speed 轉速 n <sub>2</sub> | Output Torque 扭矩 T <sub>out</sub> |       | Allowable Radial Load 應許徑向負載 Pro |        | SF 安全係數 | Output Speed 轉速 n <sub>2</sub> | Output Torque 扭矩 T <sub>out</sub> |       | Allowable Radial Load 應許徑向負載 Pro |        | SF 安全係數            | HM   | HX | H  | VM | VX | V  |    |     |  |
|                              |                |           |                                | rpm                               | N.m   | Kgf.m                            | N      |         |                                | kgf                               | rpm   | N.m                              | Kgf.m  |                    |      |    |    |    |    |    | N  | kgf |  |
| 10                           | 8225DA         | 473       | 3.07                           | 16000                             | 1630  | 145000                           | 14800  | *       | 3.70                           | 16000                             | 1630  | 145000                           | 14800  | *                  | 53   | 60 | 63 | 70 | 77 | 80 |    |     |  |
|                              | 8235DA         |           |                                |                                   |       |                                  |        |         |                                |                                   |       |                                  |        |                    |      |    |    |    |    |    |    |     |  |
|                              | 8245DA         |           |                                |                                   | 21000 | 2140                             | 208000 | 21200   |                                | 1.23                              | 17400 | 1780                             | 208000 | 21200              | 1.48 | 53 | 60 | 63 | 70 | 77 | 80 |     |  |
|                              | 8255DA         |           |                                |                                   |       |                                  | 258000 | 26300   |                                | 1.64                              |       |                                  | 258000 | 26300              | 1.98 | 53 | 60 | 63 | 70 | 77 | 80 |     |  |
|                              | 8265DA         |           |                                |                                   |       |                                  | 276000 | 28100   |                                | 2.19                              |       |                                  | 276000 | 28100              | 2.64 | 53 | 60 | 63 | 70 | 77 | 80 |     |  |
| 10                           | 8225DA         | 493       | 2.94                           | 15000                             | 1530  | 145000                           | 14800  | *       | 3.55                           | 15000                             | 1530  | 145000                           | 14800  | *                  | 53   | 60 | 63 | 70 | 77 | 80 |    |     |  |
|                              | 8235DA         |           |                                |                                   |       |                                  |        |         |                                |                                   |       |                                  |        |                    |      |    |    |    |    |    |    |     |  |
|                              | 8245DA         |           |                                |                                   | 21900 | 2230                             | 208000 | 21200   |                                | 1.18                              | 18200 | 1850                             | 208000 | 21200              | 1.42 | 53 | 60 | 63 | 70 | 77 | 80 |     |  |
|                              | 8255DA         |           |                                |                                   |       |                                  | 258000 | 26300   |                                | 1.48                              |       |                                  | 258000 | 26300              | 1.79 | 53 | 60 | 63 | 70 | 77 | 80 |     |  |
|                              | 8265DA         |           |                                |                                   |       |                                  | 276000 | 28100   |                                | 2.10                              |       |                                  | 276000 | 28100              | 2.53 | 53 | 60 | 63 | 70 | 77 | 80 |     |  |
| 10                           | 8225DA         | 559       | 2.59                           | 16000                             | 1630  | 145000                           | 14800  | *       | 3.13                           | 16000                             | 1630  | 145000                           | 14800  | *                  | 53   | 60 | 63 | 70 | 77 | 80 |    |     |  |
|                              | 8235DA         |           |                                |                                   |       |                                  |        |         |                                |                                   |       |                                  |        |                    |      |    |    |    |    |    |    |     |  |
|                              | 8245DA         |           |                                |                                   |       |                                  | 208000 | 21200   |                                | 1.04                              | 20600 | 2100                             | 208000 | 21200              | 1.25 | 53 | 60 | 63 | 70 | 77 | 80 |     |  |
|                              | 8255DA         |           |                                |                                   | 24900 | 2530                             | 258000 | 26300   |                                | 1.39                              |       |                                  | 258000 | 26300              | 1.68 | 53 | 60 | 63 | 70 | 77 | 80 |     |  |
|                              | 8265DA         |           |                                |                                   |       |                                  | 276000 | 28100   |                                | 1.85                              |       |                                  | 276000 | 28100              | 2.23 | 53 | 60 | 63 | 70 | 77 | 80 |     |  |
| 8275DA                       |                |           | 248000                         | 25300                             | 2.74  |                                  |        | 248000  | 25300                          | 3.31                              | 53    | 60                               | 63     | 70                 | 77   | 80 |    |    |    |    |    |     |  |
| 10                           | 8235DA         | 649       | 2.23                           | 20500                             | 2090  | 179000                           | 18200  | *       | 2.70                           | 20500                             | 2090  | 179000                           | 18200  | *                  | 53   | 60 | 63 | 70 | 77 | 80 |    |     |  |
|                              | 8245DA         |           |                                |                                   |       |                                  |        |         |                                |                                   |       |                                  |        |                    |      |    |    |    |    |    |    |     |  |
|                              | 8255DA         |           |                                |                                   | 28900 | 2940                             | 258000 | 26300   |                                | 1.20                              | 23900 | 2440                             | 258000 | 26300              | 1.44 | 53 | 60 | 63 | 70 | 77 | 80 |     |  |
|                              | 8265DA         |           |                                |                                   |       |                                  | 276000 | 28100   |                                | 1.59                              |       |                                  | 276000 | 28100              | 1.92 | 53 | 60 | 63 | 70 | 77 | 80 |     |  |
|                              | 8275DA         |           |                                |                                   |       |                                  | 248000 | 25300   |                                | 2.36                              |       |                                  | 248000 | 25300              | 2.85 | 53 | 60 | 63 | 70 | 77 | 80 |     |  |
| 10                           | 8245DA         | 731       | 1.98                           | 25800                             | 2630  | 208000                           | 21200  | *       | 2.39                           | 25800                             | 2630  | 208000                           | 21200  | *                  | 53   | 60 | 63 | 70 | 77 | 80 |    |     |  |
|                              | 8255DA         |           |                                |                                   |       |                                  |        |         |                                |                                   |       |                                  |        |                    |      |    |    |    |    |    |    |     |  |
|                              | 8265DA         |           |                                |                                   | 32500 | 3310                             | 276000 | 28100   |                                | 1.42                              | 26900 | 2740                             | 276000 | 28100              | 1.71 | 53 | 60 | 63 | 70 | 77 | 80 |     |  |
|                              | 8275DA         |           |                                |                                   |       |                                  | 248000 | 25300   |                                | 2.10                              |       |                                  | 248000 | 25300              | 2.53 | 53 | 60 | 63 | 70 | 77 | 80 |     |  |
|                              | 8245DA         |           |                                |                                   |       |                                  | 25800  | 2630    |                                | 208000                            | 21200 | *                                |        |                    |      |    |    |    |    |    |    |     |  |
| 10                           | 8255DA         | 841       | 1.72                           | 25800                             | 2630  | 208000                           | 21200  | *       | 2.08                           | 25800                             | 2630  | 208000                           | 21200  | *                  | 53   | 60 | 63 | 70 | 77 | 80 |    |     |  |
|                              | 8265DA         |           |                                |                                   | 37400 | 3810                             | 276000 | 28100   |                                | 1.23                              | 31000 | 3160                             | 276000 | 28100              | 1.48 | 53 | 60 | 63 | 70 | 77 | 80 |     |  |
|                              | 8275DA         |           |                                |                                   |       |                                  | 248000 | 25300   |                                | 1.82                              |       |                                  | 248000 | 25300              | 2.20 | 53 | 60 | 63 | 70 | 77 | 80 |     |  |
|                              | 8255DA         |           |                                |                                   |       |                                  | 34500  | 3520    |                                | 258000                            | 26300 | *                                |        |                    |      |    |    |    |    |    |    |     |  |
|                              | 8265DA         |           |                                |                                   | 44600 | 4450                             | 276000 | 28100   |                                | 1.03                              | 36900 | 3770                             | 276000 | 28100              | 1.25 | 53 | 60 | 63 | 70 | 77 | 80 |     |  |
| 8275DA                       |                |           | 248000                         | 25300                             | 1.53  |                                  |        | 248000  | 25300                          | 1.85                              | 53    | 60                               | 63     | 70                 | 77   | 80 |    |    |    |    |    |     |  |
| 10                           | 8255DA         | 1247      | 1.16                           | 34500                             | 3520  | 258000                           | 26300  | *       | 1.40                           | 34500                             | 3520  | 258000                           | 26300  | *                  | 53   | 60 | 63 | 70 | 77 | 80 |    |     |  |
|                              | 8265DA         |           |                                |                                   |       |                                  |        |         |                                |                                   |       |                                  |        |                    |      |    |    |    |    |    |    |     |  |
|                              | 8275DA         |           |                                |                                   | 55400 | 5650                             | 276000 | 28100   |                                | 0.83                              | 45900 | 4680                             | 276000 | 28100              | 1.00 | 53 | 60 | 63 | 70 | 77 | 80 |     |  |
| 10                           | 8265DA         | 1479      | 0.980                          | 44000                             | 4490  | 276000                           | 28100  | *       | 1.18                           | 44000                             | 4490  | 276000                           | 28100  | *                  | 53   | 60 | 63 | 70 | 77 | 80 |    |     |  |
|                              | 8275DA         |           |                                |                                   | 65800 | 6700                             | 247000 | 25200   |                                | 1.04                              | 54500 | 5550                             | 248000 | 25300              | 1.25 | 53 | 60 | 63 | 70 | 77 | 80 |     |  |
| 10                           | 8275DA         | 1849      | 0.784                          | 82200                             | 8380  | 248000                           | 25300  | 0.83    | 0.946                          | 68100                             | 6940  | 248000                           | 25300  | 1.00               | 53   | 60 | 63 | 70 | 77 | 80 |    |     |  |
| 10                           | 8275DA         | 2065      | 0.702                          | 68200                             | 6950  | 248000                           | 25300  | *       | 0.847                          | 68200                             | 6950  | 248000                           | 25300  | *                  | 53   | 60 | 63 | 70 | 77 | 80 |    |     |  |
| 10                           | 8275DA         | 2537      | 0.572                          | 68200                             | 6950  | 248000                           | 25300  | *       | 0.690                          | 68200                             | 6950  | 248000                           | 25300  | *                  | 53   | 60 | 63 | 70 | 77 | 80 |    |     |  |
| 10                           | 8275DA         | 3045      | 0.476                          | 68200                             | 6950  | 245000                           | 25000  | *       | 0.575                          | 68200                             | 6950  | 245000                           | 25000  | *                  | 53   | 60 | 63 | 70 | 77 | 80 |    |     |  |
| 10                           | 8275DA         | 3481      | 0.417                          | 68200                             | 6950  | 248000                           | 25300  | *       | 0.503                          | 68200                             | 6950  | 248000                           | 25300  | *                  | 53   | 60 | 63 | 70 | 77 | 80 |    |     |  |
| 10                           | 8275DA         | 4437      | 0.327                          | 68200                             | 6950  | 245000                           | 25000  | *       | 0.394                          | 68200                             | 6950  | 245000                           | 25000  | *                  | 53   | 60 | 63 | 70 | 77 | 80 |    |     |  |
| 10                           | 8275DA         | 5133      | 0.282                          | 68200                             | 6950  | 245000                           | 25000  | *       | 0.341                          | 68200                             | 6950  | 245000                           | 25000  | *                  | 53   | 60 | 63 | 70 | 77 | 80 |    |     |  |
| 10                           | 8275DA         | 6177      | 0.235                          | 68200                             | 6950  | 245000                           | 25000  | *       | 0.283                          | 68200                             | 6950  | 245000                           | 25000  | *                  | 53   | 60 | 63 | 70 | 77 | 80 |    |     |  |
| 10                           | 8275DA         | 7569      | 0.192                          | 68200                             | 6950  | 245000                           | 25000  | *       | 0.231                          | 68200                             | 6950  | 245000                           | 25000  | *                  | 53   | 60 | 63 | 70 | 77 | 80 |    |     |  |

※ Frame sizes in Blue are the recommended models for 24 hours/day with uniform load. 均勻負載下，減速機連續使用 24 小時，建議使用標註藍色型號或更大型號。

# Service Factor 安全係數表

|                |                |      |     |      |      |
|----------------|----------------|------|-----|------|------|
| 11 kW<br>15 HP | Hz             | 50Hz |     | 60Hz |      |
|                | Pole           | 4    | 6   | 4    | 6    |
|                | n <sub>1</sub> | 1450 | 980 | 1750 | 1165 |

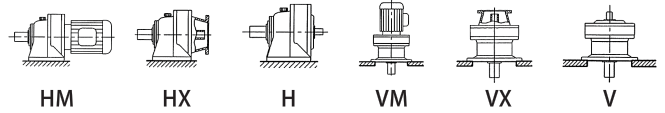


| Model 型式                     |                |           | 50Hz                               |                                   |       |                                  |      | 60Hz    |                                    |                                   |       |                                  | Dimension Page 頁數① |         |      |      |      |     |        |       |
|------------------------------|----------------|-----------|------------------------------------|-----------------------------------|-------|----------------------------------|------|---------|------------------------------------|-----------------------------------|-------|----------------------------------|--------------------|---------|------|------|------|-----|--------|-------|
| Input Capacity Symbol 馬力 編號② | Frame Size 型號③ | Ratio 速比④ | Output Speed 轉速 n <sub>2</sub> rpm | Output Torque 扭矩 T <sub>out</sub> |       | Allowable Radial Load 應許徑向負載 Pro |      | SF 安全係數 | Output Speed 轉速 n <sub>2</sub> rpm | Output Torque 扭矩 T <sub>out</sub> |       | Allowable Radial Load 應許徑向負載 Pro |                    | SF 安全係數 | HM   | HX   | H    | VM  | VX     | V     |
|                              |                |           |                                    | N.m                               | Kgf.m | N                                | kgf  |         |                                    | N.m                               | Kgf.m | N                                | kgf                |         |      |      |      |     |        |       |
| 15                           | 8165           | 6         | 242                                | 413                               | 42.1  | 10400                            | 1060 | 2.19    | 292                                | 342                               | 34.9  | 9760                             | 995                | 2.19    | 48   | 56   | 61   | 65  | 73     | 78    |
|                              | 8175           |           |                                    |                                   |       | 11700                            | 1190 | 2.74    |                                    |                                   |       | 11000                            | 1120               | 2.74    | 48   | 56   | 61   | 65  | 73     | 78    |
| 15                           | 8165           | 8         | 181                                | 551                               | 56.1  | 11600                            | 1180 | 2.19    | 219                                | 456                               | 46.5  | 10900                            | 1110               | 2.19    | 48   | 56   | 61   | 65  | 73     | 78    |
|                              | 8175           |           |                                    |                                   |       | 12900                            | 1320 | 2.74    |                                    |                                   |       | 12200                            | 1240               | 2.74    | 48   | 56   | 61   | 65  | 73     | 78    |
| 15                           | 8165           | 11        | 132                                | 757                               | 77.2  | 13100                            | 1330 | 2.19    | 159                                | 627                               | 63.9  | 12300                            | 1260               | 2.19    | 48   | 56   | 61   | 65  | 73     | 78    |
|                              | 8175           |           |                                    |                                   |       | 14900                            | 1520 | 2.74    |                                    |                                   |       | 14000                            | 1430               | 2.74    | 48   | 56   | 61   | 65  | 73     | 78    |
| 15                           | 8165           | 13        | 112                                | 895                               | 91.2  | 13700                            | 1390 | 2.05    | 135                                | 741                               | 75.6  | 12900                            | 1320               | 2.05    | 48   | 56   | 61   | 65  | 73     | 78    |
|                              | 8175           |           |                                    |                                   |       | 15500                            | 1580 | 2.74    |                                    |                                   |       | 14600                            | 1490               | 2.74    | 48   | 56   | 61   | 65  | 73     | 78    |
|                              | 8165           |           |                                    |                                   |       | 14500                            | 1470 | 2.04    |                                    |                                   |       | 13600                            | 1390               | 2.05    | 48   | 56   | 61   | 65  | 73     | 78    |
| 15                           | 8175           | 15        | 96.7                               | 1030                              | 105   | 16300                            | 1660 | 2.74    | 117                                | 855                               | 87.2  | 15400                            | 1570               | 2.74    | 48   | 56   | 61   | 65  | 73     | 78    |
|                              | 8185           |           |                                    |                                   |       | 21700                            | 2210 | 2.95    |                                    |                                   |       | 20400                            | 2080               | 2.95    | 48   | 56   | 61   | 65  | 73     | 78    |
|                              | 8165           |           |                                    |                                   |       | 14900                            | 1520 | 1.71    |                                    |                                   |       | 14100                            | 1430               | 1.71    | 48   | 56   | 61   | 65  | 73     | 78    |
| 15                           | 8175           | 17        | 85.3                               | 1170                              | 119   | 16900                            | 1720 | 2.19    | 103                                | 969                               | 98.8  | 16000                            | 1630               | 2.19    | 48   | 56   | 61   | 65  | 73     | 78    |
|                              | 8185           |           |                                    |                                   |       | 22900                            | 2340 | 2.78    |                                    |                                   |       | 21600                            | 2200               | 2.78    | 48   | 56   | 61   | 65  | 73     | 78    |
|                              | 8165           |           |                                    |                                   |       | 15900                            | 1620 | 1.45    |                                    |                                   |       | 15000                            | 1530               | 1.46    | 48   | 56   | 61   | 65  | 73     | 78    |
| 15                           | 8175           | 21        | 69.0                               | 1450                              | 147   | 18200                            | 1860 | 2.15    | 83.3                               | 1200                              | 122   | 17200                            | 1750               | 2.19    | 48   | 56   | 61   | 65  | 73     | 78    |
|                              | 8185           |           |                                    |                                   |       | 24500                            | 2500 | 2.73    |                                    |                                   |       | 23100                            | 2350               | 2.73    | 48   | 56   | 61   | 65  | 73     | 78    |
|                              | 8165           |           |                                    |                                   |       | 16600                            | 1690 | 1.22    |                                    |                                   |       | 15700                            | 1600               | 1.37    | 48   | 56   | 61   | 65  | 73     | 78    |
| 15                           | 8175           | 25        | 58.0                               | 1720                              | 175   | 18800                            | 1920 | 1.77    | 70.0                               | 1430                              | 145   | 17800                            | 1810               | 1.77    | 48   | 56   | 61   | 65  | 73     | 78    |
|                              | 8185           |           |                                    |                                   |       | 25500                            | 2600 | 2.74    |                                    |                                   |       | 24000                            | 2450               | 2.74    | 48   | 56   | 61   | 65  | 73     | 78    |
|                              | 8165           |           |                                    |                                   |       | 17200                            | 1750 | 1.04    |                                    |                                   |       | 16300                            | 1660               | 1.04    | 48   | 56   | 61   | 65  | 73     | 78    |
| 15                           | 8175           | 29        | 50.0                               | 2000                              | 203   | 19800                            | 2010 | 1.58    | 60.3                               | 1650                              | 169   | 18700                            | 1900               | 1.71    | 48   | 56   | 61   | 65  | 73     | 78    |
|                              | 8185           |           |                                    |                                   |       | 26600                            | 2710 | 2.19    |                                    |                                   |       | 25100                            | 2560               | 2.19    | 48   | 56   | 61   | 65  | 73     | 78    |
|                              | 8195           |           |                                    |                                   |       | 37500                            | 3830 | 2.79    |                                    |                                   |       | 35300                            | 3600               | 2.79    | 48   | 56   | 61   | 65  | 73     | 78    |
| 15                           | 8165           | 35        | 41.4                               | 2410                              | 246   | 18100                            | 1840 | 0.87    | 50.0                               | 2000                              | 203   | 17100                            | 1750               | 1.04    | 48   | 56   | 61   | 65  | 73     | 78    |
|                              | 8175           |           |                                    |                                   |       | 20900                            | 2130 | 1.31    |                                    |                                   |       | 19700                            | 2010               | 1.37    | 48   | 56   | 61   | 65  | 73     | 78    |
|                              | 8185           |           |                                    |                                   |       | 28400                            | 2890 | 2.05    |                                    |                                   |       | 26700                            | 2730               | 2.05    | 48   | 56   | 61   | 65  | 73     | 78    |
|                              | 8195           |           |                                    |                                   |       | 39600                            | 4040 | 2.74    |                                    |                                   |       | 37300                            | 3800               | 2.74    | 48   | 56   | 61   | 65  | 73     | 78    |
| 15                           | 8175           | 43        | 33.7                               | 2960                              | 302   | 22100                            | 2250 | 1.03    | 40.7                               | 2450                              | 250   | 20900                            | 2130               | 1.03    | 48   | 56   | 61   | 65  | 73     | 78    |
|                              | 8185           |           |                                    |                                   |       | 30300                            | 3090 | 1.69    |                                    |                                   |       | 28600                            | 2920               | 1.71    | 48   | 56   | 61   | 65  | 73     | 78    |
|                              | 8195           |           |                                    |                                   |       | 42600                            | 4340 | 2.46    |                                    |                                   |       | 40100                            | 4090               | 2.74    | 48   | 56   | 61   | 65  | 73     | 78    |
|                              | 8205           |           |                                    |                                   |       | 77700                            | 7920 | 2.89    |                                    |                                   |       | 73500                            | 7500               | 2.89    | 48   | 56   | 61   | 65  | 73     | 78    |
| 15                           | 8175           | 51        | 28.4                               | 3510                              | 358   | 22900                            | 2330 | 0.90    | 34.3                               | 2910                              | 296   | 21700                            | 2210               | 1.03    | 48   | 56   | 61   | 65  | 73     | 78    |
|                              | 8185           |           |                                    |                                   |       | 31300                            | 3200 | 1.37    |                                    |                                   |       | 29600                            | 3010               | 1.37    | 48   | 56   | 61   | 65  | 73     | 78    |
|                              | 8195           |           |                                    |                                   |       | 44400                            | 4530 | 1.90    |                                    |                                   |       | 41900                            | 4270               | 1.90    | 48   | 56   | 61   | 65  | 73     | 78    |
| 15                           | 8185           | 59        | 24.6                               | 4060                              | 414   | 32700                            | 3330 | 1.09    | 29.7                               | 3360                              | 343   | 30900                            | 3150               | 1.09    | 48   | 56   | 61   | 65  | 73     | 78    |
|                              | 8195           |           |                                    |                                   |       | 46400                            | 4730 | 1.71    |                                    |                                   |       | 43700                            | 4460               | 1.71    | 48   | 56   | 61   | 65  | 73     | 78    |
|                              | 8205           |           |                                    |                                   |       | 84100                            | 8570 | 2.05    |                                    |                                   |       | 79900                            | 8150               | 2.05    | 48   | 56   | 61   | 65  | 73     | 78    |
| 15                           | 8185           | 71        | 20.4                               | 4890                              | 498   | 34500                            | 3520 | 0.89    | 24.6                               | 4050                              | 413   | 32700                            | 3330               | 0.89    | 48   | 56   | 61   | 65  | 73     | 78    |
|                              | 8195           |           |                                    |                                   |       | 49100                            | 5010 | 1.42    |                                    |                                   |       | 46300                            | 4720               | 1.42    | 48   | 56   | 61   | 65  | 73     | 78    |
|                              | 8195           |           |                                    |                                   |       | 52700                            | 5380 | 1.24    |                                    |                                   |       | 49700                            | 5070               | 1.24    | 48   | 56   | 61   | 65  | 73     | 78    |
| 15                           | 8205           | 87        | 16.7                               | 5990                              | 610   | 84100                            | 8570 | 1.45    | 20.1                               | 4960                              | 506   | 84100                            | 8570               | 1.45    | 48   | 56   | 61   | 65  | 73     | 78    |
|                              | 8215           |           |                                    |                                   |       | 96600                            | 9850 | 1.79    |                                    |                                   |       | 91500                            | 9320               | 1.95    | 48   | -    | 61   | 65  | -      | 78    |
|                              | 8215DB         |           |                                    |                                   |       | 121                              | 12.0 | 7890    |                                    |                                   |       | 804                              | 104000             | 10600   | 1.44 | 14.5 | 6540 | 666 | 102000 | 10400 |
| 8225DB                       | 114000         | 11600     | 1.71                               | 108000                            | 11000 |                                  |      |         | 2.06                               | 53                                | 60    |                                  | 63                 | 70      | 77   |      |      |     | 80     |       |
| 8235DA                       | 143000         | 14600     | 2.31                               | 135000                            | 13800 |                                  |      |         | 2.31                               | 53                                | 60    |                                  | 63                 | 70      | 77   |      |      |     | 80     |       |
| 8235DB                       | 143000         | 14600     | 2.37                               | 135000                            | 13800 |                                  |      |         | 2.86                               | 53                                | 60    |                                  | 63                 | 70      | 77   |      |      |     | 80     |       |
| 8245DB                       | 159000         | 16200     | 2.60                               | 151000                            | 15400 |                                  |      |         | 3.14                               | 53                                | 60    |                                  | 63                 | 70      | 77   |      |      |     | 80     |       |
| 8255DA                       | 195000         | 19900     | 2.89                               | 184000                            | 18800 |                                  |      |         | 2.89                               | 53                                | 60    |                                  | 63                 | 70      | 77   |      |      |     | 80     |       |

\* Frame sizes in Blue are the recommended models for 24 hours/day with uniform load. 均勻負載下，減速機連續使用 24 小時，建議使用標註藍色型號或更大型號。

# Service Factor 安全係數表

|                |                |      |     |      |      |
|----------------|----------------|------|-----|------|------|
| 11 kW<br>15 HP | Hz             | 50Hz |     | 60Hz |      |
|                | Pole           | 4    | 6   | 4    | 6    |
|                | n <sub>1</sub> | 1450 | 980 | 1750 | 1165 |



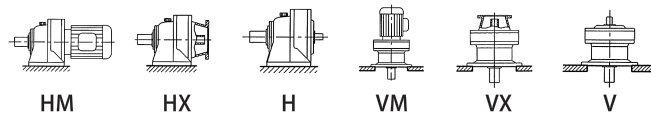
| Model 型式                     |                 |            | 50Hz                           |                                   |        |                                  |       | 60Hz    |                                |                                   |        |                                  | Dimension Page 頁數① |         |       |    |      |       |      |        |
|------------------------------|-----------------|------------|--------------------------------|-----------------------------------|--------|----------------------------------|-------|---------|--------------------------------|-----------------------------------|--------|----------------------------------|--------------------|---------|-------|----|------|-------|------|--------|
| Input Capacity Symbol 馬力 編號② | Frame Size 型號 ③ | Ratio 速比 ④ | Output Speed 轉速 n <sub>2</sub> | Output Torque 扭矩 T <sub>out</sub> |        | Allowable Radial Load 應許徑向負載 Pro |       | SF 安全係數 | Output Speed 轉速 n <sub>2</sub> | Output Torque 扭矩 T <sub>out</sub> |        | Allowable Radial Load 應許徑向負載 Pro |                    | SF 安全係數 | HM    | HX | H    | VM    | VX   | V      |
|                              |                 |            |                                | rpm                               | N.m    | Kgf.m                            | N     |         |                                | kgf                               | rpm    | N.m                              | Kgf.m              |         |       |    |      |       |      |        |
| 15                           | 8215DB          | 165        | 8.79                           | 10800                             | 1100   | 104000                           | 10600 | 1.13    | 10.6                           | 8910                              | 909    | 104000                           | 10600              | 1.37    | 53    | 60 | 63   | 70    | 77   | 80     |
|                              | 8225DB          |            |                                |                                   |        | 123000                           | 12600 | 1.35    |                                |                                   |        | 117000                           | 11900              | 1.62    | 53    | 60 | 63   | 70    | 77   | 80     |
|                              | 8235DA          |            |                                |                                   |        | 153000                           | 15600 | 1.82    |                                |                                   |        | 145000                           | 14800              | 2.20    | 53    | 60 | 63   | 70    | 77   | 80     |
|                              | 8245DA          |            |                                |                                   |        | 171000                           | 17400 | 2.31    |                                |                                   |        | 162000                           | 16500              | 2.31    | 53    | 60 | 63   | 70    | 77   | 80     |
|                              | 8245DB          |            |                                |                                   |        | 171000                           | 17400 | 2.44    |                                |                                   |        | 162000                           | 16500              | 2.94    | 53    | 60 | 63   | 70    | 77   | 80     |
|                              | 8255DA          |            |                                |                                   |        | 209000                           | 21300 | 2.89    |                                |                                   |        | 198000                           | 20200              | 2.89    | 53    | 60 | 63   | 70    | 77   | 80     |
|                              | 8255DB          |            |                                |                                   |        | 209000                           | 21300 | 2.90    |                                |                                   |        | 198000                           | 20200              | 3.50    | 53    | 60 | 63   | 70    | 77   | 80     |
|                              | 8215DB          |            |                                |                                   |        | 104000                           | 10600 | 0.96    |                                |                                   |        | 104000                           | 10600              | 1.16    | 53    | 60 | 63   | 70    | 77   | 80     |
|                              | 8225DB          |            |                                |                                   |        | 129000                           | 13200 | 1.14    |                                |                                   |        | 122000                           | 12500              | 1.37    | 53    | 60 | 63   | 70    | 77   | 80     |
|                              | 8235DA          |            |                                |                                   |        | 161000                           | 16400 | 1.54    |                                |                                   |        | 152000                           | 15500              | 1.86    | 53    | 60 | 63   | 70    | 77   | 80     |
| 15                           | 8245DA          | 195        | 7.44                           | 12700                             | 1300   | 180000                           | 18300 | 2.06    | 8.79                           | 10500                             | 1070   | 170000                           | 17300              | 2.17    | 53    | 60 | 63   | 70    | 77   | 80     |
|                              | 8245DB          |            |                                |                                   |        | 180000                           | 18300 | 2.06    |                                |                                   |        | 170000                           | 17300              | 2.49    | 53    | 60 | 63   | 70    | 77   | 80     |
|                              | 8255DA          |            |                                |                                   |        | 220000                           | 22400 | 2.45    |                                |                                   |        | 208000                           | 21200              | 2.89    | 53    | 60 | 63   | 70    | 77   | 80     |
|                              | 8255DB          |            |                                |                                   |        | 220000                           | 22400 | 2.45    |                                |                                   |        | 208000                           | 21200              | 2.96    | 53    | 60 | 63   | 70    | 77   | 80     |
|                              | 8215DB          |            |                                |                                   |        | 104000                           | 10600 | 0.83    |                                |                                   |        | 104000                           | 10600              | 1.00    | 53    | 60 | 63   | 70    | 77   | 80     |
|                              | 8225DB          |            |                                |                                   |        | 137000                           | 14000 | 0.98    |                                |                                   |        | 130000                           | 13300              | 1.19    | 53    | 60 | 63   | 70    | 77   | 80     |
|                              | 8235DA          |            |                                |                                   |        | 172000                           | 17500 | 1.25    |                                |                                   |        | 163000                           | 16600              | 1.51    | 53    | 60 | 63   | 70    | 77   | 80     |
|                              | 8245DA          |            |                                |                                   |        | 191000                           | 19500 | 1.71    |                                |                                   |        | 181000                           | 18500              | 2.07    | 53    | 60 | 63   | 70    | 77   | 80     |
|                              | 8255DA          |            |                                |                                   |        | 233000                           | 23800 | 2.06    |                                |                                   |        | 221000                           | 22500              | 2.48    | 53    | 60 | 63   | 70    | 77   | 80     |
|                              | 8225DB          |            |                                |                                   |        | 144000                           | 14700 | 0.83    |                                |                                   |        | 137000                           | 13900              | 1.00    | 53    | 60 | 63   | 70    | 77   | 80     |
| 15                           | 8235DA          | 273        | 5.31                           | 17800                             | 1810   | 179000                           | 18200 | 1.06    | 6.41                           | 14700                             | 15000  | 171000                           | 17400              | 1.28    | 53    | 60 | 63   | 70    | 77   | 80     |
|                              | 8245DA          |            |                                |                                   |        | 201000                           | 20500 | 1.45    |                                |                                   |        | 190000                           | 19400              | 1.75    | 53    | 60 | 63   | 70    | 77   | 80     |
|                              | 8255DA          |            |                                |                                   |        | 245000                           | 25000 | 1.74    |                                |                                   |        | 232000                           | 23600              | 2.10    | 53    | 60 | 63   | 70    | 77   | 80     |
|                              | 8265DA          |            |                                |                                   |        | 276000                           | 28100 | 2.58    |                                |                                   |        | 276000                           | 28100              | 3.12    | 53    | 60 | 63   | 70    | 77   | 80     |
|                              | 8225DB          |            |                                |                                   |        | 15000                            | 1530  | 145000  |                                |                                   |        | 14800                            | *                  | 53      | 60    | 63 | 70   | 77    | 80   |        |
|                              | 8235DA          |            |                                |                                   |        | 179000                           | 18200 | 0.91    |                                |                                   |        | 177000                           | 18100              | 1.10    | 53    | 60 | 63   | 70    | 77   | 80     |
|                              | 8245DA          |            |                                |                                   |        | 208000                           | 21200 | 1.24    |                                |                                   |        | 198000                           | 20200              | 1.50    | 53    | 60 | 63   | 70    | 77   | 80     |
|                              | 8255DA          |            |                                |                                   |        | 258000                           | 26300 | 1.56    |                                |                                   |        | 244000                           | 24900              | 1.88    | 53    | 60 | 63   | 70    | 77   | 80     |
|                              | 8265DA          |            |                                |                                   |        | 276000                           | 28100 | 2.21    |                                |                                   |        | 276000                           | 28100              | 2.67    | 53    | 60 | 63   | 70    | 77   | 80     |
|                              | 8235DA          |            |                                |                                   |        | 18900                            | 1930  | 179000  |                                |                                   |        | 18200                            | *                  | 53      | 60    | 63 | 70   | 77    | 80   |        |
| 15                           | 8245DA          | 377        | 3.85                           | 24600                             | 2510   | 208000                           | 21200 | 1.05    | 4.64                           | 20400                             | 2080   | 208000                           | 21200              | 1.27    | 53    | 60 | 63   | 70    | 77   | 80     |
|                              | 8255DA          |            |                                |                                   |        | 258000                           | 26300 | 1.32    |                                |                                   |        | 256000                           | 26100              | 1.59    | 53    | 60 | 63   | 70    | 77   | 80     |
|                              | 8265DA          |            |                                |                                   |        | 276000                           | 28100 | 1.87    |                                |                                   |        | 276000                           | 28100              | 2.26    | 53    | 60 | 63   | 70    | 77   | 80     |
|                              | 8275DA          |            |                                |                                   |        | 248000                           | 25300 | 2.77    |                                |                                   |        | 248000                           | 25300              | 3.35    | 53    | 60 | 63   | 70    | 77   | 80     |
|                              | 8235DA          |            |                                |                                   |        | 20500                            | 2090  | 179000  |                                |                                   |        | 18200                            | *                  | 53      | 60    | 63 | 70   | 77    | 80   |        |
|                              | 8245DA          |            |                                |                                   |        | 208000                           | 21200 | 0.84    |                                |                                   |        | 208000                           | 21200              | 1.01    | 53    | 60 | 63   | 70    | 77   | 80     |
|                              | 8255DA          |            |                                |                                   |        | 258000                           | 26300 | 1.12    |                                |                                   |        | 258000                           | 26300              | 1.35    | 53    | 60 | 63   | 70    | 77   | 80     |
|                              | 8265DA          |            |                                |                                   |        | 276000                           | 28100 | 1.49    |                                |                                   |        | 276000                           | 28100              | 1.80    | 53    | 60 | 63   | 70    | 77   | 80     |
|                              | 8275DA          |            |                                |                                   |        | 248000                           | 25300 | 2.21    |                                |                                   |        | 248000                           | 25300              | 2.67    | 53    | 60 | 63   | 70    | 77   | 80     |
|                              | 15              |            |                                |                                   |        | 8245DA                           | 493   | 2.94    |                                |                                   |        | 25800                            | 2630               | 208000  | 21200 | *  | 3.55 | 25800 | 2630 | 208000 |
| 8255DA                       |                 | 258000     | 26300                          | 1.01                              | 258000 | 26300                            |       |         | 1.22                           | 53                                | 60     | 63                               | 70                 | 77      | 80    |    |      |       |      |        |
| 8265DA                       |                 | 32100      | 3270                           | 276000                            | 28100  | 1.43                             |       |         | 276000                         | 28100                             | 1.73   | 53                               | 60                 | 63      | 70    | 77 |      |       |      | 80     |
| 8275DA                       |                 | 248000     | 25300                          | 2.12                              | 248000 | 25300                            |       |         | 2.56                           | 53                                | 60     | 63                               | 70                 | 77      | 80    |    |      |       |      |        |
| 8245DA                       |                 | 25800      | 2630                           | 208000                            | 21200  | *                                |       |         | 25800                          | 2630                              | 208000 | 21200                            | *                  | 53      | 60    | 63 |      |       |      | 70     |
| 15                           | 8255DA          | 559        | 2.59                           | 36400                             | 3720   | 258000                           | 26300 | 0.95    | 3.13                           | 30200                             | 3080   | 258000                           | 26300              | 1.14    | 53    | 60 | 63   | 70    | 77   | 80     |
|                              | 8265DA          |            |                                |                                   |        | 276000                           | 28100 | 1.26    |                                |                                   |        | 276000                           | 28100              | 1.52    | 53    | 60 | 63   | 70    | 77   | 80     |
|                              | 8275DA          |            |                                |                                   |        | 248000                           | 25300 | 1.87    |                                |                                   |        | 248000                           | 25300              | 2.26    | 53    | 60 | 63   | 70    | 77   | 80     |
| 15                           | 8255DA          | 649        | 2.23                           | 42300                             | 4310   | 258000                           | 26300 | 0.82    | 2.70                           | 35100                             | 3570   | 258000                           | 26300              | 0.98    | 53    | 60 | 63   | 70    | 77   | 80     |
|                              | 8265DA          |            |                                |                                   |        | 276000                           | 28100 | 1.09    |                                |                                   |        | 276000                           | 28100              | 1.31    | 53    | 60 | 63   | 70    | 77   | 80     |
|                              | 8275DA          |            |                                |                                   |        | 248000                           | 25300 | 1.61    |                                |                                   |        | 248000                           | 25300              | 1.95    | 53    | 60 | 63   | 70    | 77   | 80     |

※ Frame sizes in Blue are the recommended models for 24 hours/day with uniform load. 均勻負載下，減速機連續使用 24 小時，建議使用標註藍色型號或更大型號。



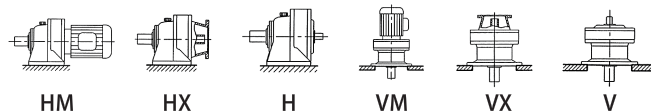
# Service Factor 安全係數表

|                |                |      |     |      |      |
|----------------|----------------|------|-----|------|------|
| 11 kW<br>15 HP | Hz             | 50Hz |     | 60Hz |      |
|                | Pole           | 4    | 6   | 4    | 6    |
|                | n <sub>1</sub> | 1450 | 980 | 1750 | 1165 |



| Model 型式                      |                 |            | 50Hz                               |                                   |       |                                  |       | 60Hz    |                                    |                                   |       |                                  | Dimension Page 頁數① |         |    |    |    |    |    |    |
|-------------------------------|-----------------|------------|------------------------------------|-----------------------------------|-------|----------------------------------|-------|---------|------------------------------------|-----------------------------------|-------|----------------------------------|--------------------|---------|----|----|----|----|----|----|
| Input Capacity Symbol 馬力 編號 ② | Frame Size 型號 ③ | Ratio 速比 ④ | Output Speed 轉速 n <sub>2</sub> rpm | Output Torque 扭矩 T <sub>out</sub> |       | Allowable Radial Load 應許徑向負載 Pro |       | SF 安全係數 | Output Speed 轉速 n <sub>2</sub> rpm | Output Torque 扭矩 T <sub>out</sub> |       | Allowable Radial Load 應許徑向負載 Pro |                    | SF 安全係數 | HM | HX | H  | VM | VX | V  |
|                               |                 |            |                                    | N.m                               | Kgf.m | N                                | kgf   |         |                                    | N.m                               | Kgf.m | N                                | kgf                |         |    |    |    |    |    |    |
| 15                            | 8255DA          | 731        | 1.98                               | 34500                             | 3520  | 258000                           | 26300 | *       | 2.39                               | 34500                             | 3520  | 258000                           | 26300              | *       | 53 | 60 | 63 | 70 | 77 | 80 |
|                               | 8275DA          |            |                                    | 47700                             | 4860  | 276000                           | 28100 | 0.97    |                                    | 39500                             | 4030  | 276000                           | 28100              | 1.16    | 53 | 60 | 63 | 70 | 77 | 80 |
| 15                            | 8255DA          | 841        | 1.72                               | 32500                             | 3310  | 258000                           | 26300 | *       | 2.08                               | 32500                             | 3310  | 258000                           | 26300              | *       | 53 | 60 | 63 | 70 | 77 | 80 |
|                               | 8275DA          |            |                                    | 54800                             | 5590  | 276000                           | 28100 | 0.84    |                                    | 45400                             | 4630  | 276000                           | 28100              | 1.01    | 53 | 60 | 63 | 70 | 77 | 80 |
| 15                            | 8265DA          | 1003       | 1.45                               | 46000                             | 4690  | 276000                           | 28100 | *       | 1.74                               | 46000                             | 4690  | 276000                           | 28100              | *       | 53 | 60 | 63 | 70 | 77 | 80 |
|                               | 8275DA          |            |                                    | 65400                             | 6670  | 248000                           | 25300 | 1.04    |                                    | 54200                             | 5520  | 248000                           | 25300              | 1.26    | 53 | 60 | 63 | 70 | 77 | 80 |
| 15                            | 8275DA          | 1247       | 1.16                               | 81300                             | 8290  | 248000                           | 25300 | 0.84    | 1.40                               | 67400                             | 6870  | 248000                           | 25300              | 1.01    | 53 | 60 | 63 | 70 | 77 | 80 |
| 15                            | 8275DA          | 1479       | 0.980                              | 68200                             | 6950  | 245000                           | 25000 | *       | 1.18                               | 68200                             | 6950  | 245000                           | 25000              | *       | 53 | 60 | 63 | 70 | 77 | 80 |

|                |                |      |     |      |      |
|----------------|----------------|------|-----|------|------|
| 15 kW<br>20 HP | Hz             | 50Hz |     | 60Hz |      |
|                | Pole           | 4    | 6   | 4    | 6    |
|                | n <sub>1</sub> | 1450 | 980 | 1750 | 1165 |



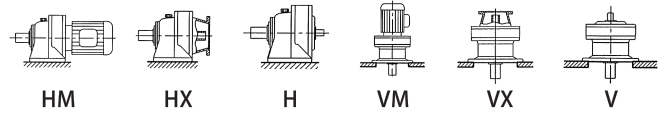
| Model 型式                      |                 |            | 50Hz                               |                                   |       |                                  |      | 60Hz    |                                    |                                   |       |                                  | Dimension Page 頁數① |         |    |    |    |    |    |    |
|-------------------------------|-----------------|------------|------------------------------------|-----------------------------------|-------|----------------------------------|------|---------|------------------------------------|-----------------------------------|-------|----------------------------------|--------------------|---------|----|----|----|----|----|----|
| Input Capacity Symbol 馬力 編號 ② | Frame Size 型號 ③ | Ratio 速比 ④ | Output Speed 轉速 n <sub>2</sub> rpm | Output Torque 扭矩 T <sub>out</sub> |       | Allowable Radial Load 應許徑向負載 Pro |      | SF 安全係數 | Output Speed 轉速 n <sub>2</sub> rpm | Output Torque 扭矩 T <sub>out</sub> |       | Allowable Radial Load 應許徑向負載 Pro |                    | SF 安全係數 | HM | HX | H  | VM | VX | V  |
|                               |                 |            |                                    | N.m                               | Kgf.m | N                                | kgf  |         |                                    | N.m                               | Kgf.m | N                                | kgf                |         |    |    |    |    |    |    |
| 20                            | 8165            | 6          | 242                                | 563                               | 57.4  | 10200                            | 1040 | 1.61    | 292                                | 467                               | 47.6  | 9670                             | 986                | 1.61    | 48 | 56 | 61 | 65 | 73 | 78 |
|                               | 8175            |            |                                    |                                   |       | 11600                            | 1180 | 2.01    |                                    |                                   |       | 10900                            | 1110               | 2.01    | 48 | 56 | 61 | 65 | 73 | 78 |
| 20                            | 8165            | 8          | 181                                | 751                               | 76.5  | 11400                            | 1170 | 1.61    | 219                                | 622                               | 63.4  | 10800                            | 1100               | 1.61    | 48 | 56 | 61 | 65 | 73 | 78 |
|                               | 8175            |            |                                    |                                   |       | 12800                            | 1310 | 2.01    |                                    |                                   |       | 12100                            | 1230               | 2.01    | 48 | 56 | 61 | 65 | 73 | 78 |
|                               | 8165            |            |                                    |                                   |       | 12900                            | 1320 | 1.61    |                                    |                                   |       | 12200                            | 1240               | 1.61    | 48 | 56 | 61 | 65 | 73 | 78 |
| 20                            | 8175            | 11         | 132                                | 1030                              | 105   | 14700                            | 1500 | 2.01    | 159                                | 855                               | 87.2  | 13900                            | 1420               | 2.01    | 48 | 56 | 61 | 65 | 73 | 78 |
|                               | 8185            |            |                                    |                                   |       | 19600                            | 2000 | 2.60    |                                    |                                   |       | 18500                            | 1880               | 2.60    | 48 | 56 | 61 | 65 | 73 | 78 |
|                               | 8195            |            |                                    |                                   |       | 27500                            | 2800 | 2.73    |                                    |                                   |       | 25800                            | 2630               | 2.73    | 48 | 56 | 61 | 65 | 73 | 78 |
|                               | 8165            |            |                                    |                                   |       | 13500                            | 1370 | 1.51    |                                    |                                   |       | 12700                            | 1300               | 1.31    | 48 | 56 | 61 | 65 | 73 | 78 |
| 20                            | 8175            | 13         | 112                                | 1220                              | 124   | 15300                            | 1560 | 2.01    | 135                                | 1010                              | 103   | 14500                            | 1470               | 2.01    | 48 | 56 | 61 | 65 | 73 | 78 |
|                               | 8185            |            |                                    |                                   |       | 20400                            | 2080 | 2.60    |                                    |                                   |       | 19200                            | 1960               | 2.60    | 48 | 56 | 61 | 65 | 73 | 78 |
|                               | 8195            |            |                                    |                                   |       | 28600                            | 2910 | 2.73    |                                    |                                   |       | 26900                            | 2740               | 2.73    | 48 | 56 | 61 | 65 | 73 | 78 |
|                               | 8165            |            |                                    |                                   |       | 14200                            | 1450 | 1.49    |                                    |                                   |       | 13500                            | 1370               | 1.25    | 48 | 56 | 61 | 65 | 73 | 78 |
| 20                            | 8175            | 15         | 96.7                               | 1410                              | 144   | 16100                            | 1640 | 2.01    | 117                                | 1170                              | 119   | 15200                            | 1550               | 2.01    | 48 | 56 | 61 | 65 | 73 | 78 |
|                               | 8185            |            |                                    |                                   |       | 21600                            | 2200 | 2.60    |                                    |                                   |       | 20300                            | 2070               | 2.60    | 48 | 56 | 61 | 65 | 73 | 78 |
|                               | 8195            |            |                                    |                                   |       | 30000                            | 3060 | 2.73    |                                    |                                   |       | 28200                            | 2880               | 2.73    | 48 | 56 | 61 | 65 | 73 | 78 |
| 20                            | 8165            | 17         | 85.3                               | 1600                              | 163   | 14600                            | 1490 | 1.25    | 103                                | 1320                              | 135   | 13900                            | 1410               | 1.25    | 48 | 56 | 61 | 65 | 73 | 78 |
|                               | 8175            |            |                                    |                                   |       | 16700                            | 1700 | 1.61    |                                    |                                   |       | 15800                            | 1610               | 1.61    | 48 | 56 | 61 | 65 | 73 | 78 |
|                               | 8185            |            |                                    |                                   |       | 22700                            | 2320 | 2.55    |                                    |                                   |       | 21400                            | 2180               | 2.60    | 48 | 56 | 61 | 65 | 73 | 78 |
|                               | 8195            |            |                                    |                                   |       | 31600                            | 3220 | 2.73    |                                    |                                   |       | 29800                            | 3030               | 2.73    | 48 | 56 | 61 | 65 | 73 | 78 |
| 20                            | 8165            | 21         | 69.0                               | 1970                              | 201   | 15600                            | 1590 | 1.07    | 83.3                               | 1630                              | 166   | 14800                            | 1510               | 1.07    | 48 | 56 | 61 | 65 | 73 | 78 |
|                               | 8175            |            |                                    |                                   |       | 17900                            | 1830 | 1.57    |                                    |                                   |       | 17000                            | 1730               | 1.61    | 48 | 56 | 61 | 65 | 73 | 78 |
|                               | 8185            |            |                                    |                                   |       | 24300                            | 2480 | 2.54    |                                    |                                   |       | 22900                            | 2340               | 2.60    | 48 | 56 | 61 | 65 | 73 | 78 |
| 8195                          | 34000           | 3470       | 2.73                               | 32000                             | 3260  | 2.73                             | 48   | 56      | 61                                 | 65                                | 73    | 78                               |                    |         |    |    |    |    |    |    |

※ Frame sizes in Blue are the recommended models for 24 hours/day with uniform load. 均勻負載下，減速機連續使用 24 小時，建議使用標註藍色型號或更大型號。



## Service Factor 安全係數表

|                |                |      |     |      |      |
|----------------|----------------|------|-----|------|------|
| 15 kW<br>20 HP | Hz             | 50Hz |     | 60Hz |      |
|                | Pole           | 4    | 6   | 4    | 6    |
|                | n <sub>1</sub> | 1450 | 980 | 1750 | 1165 |

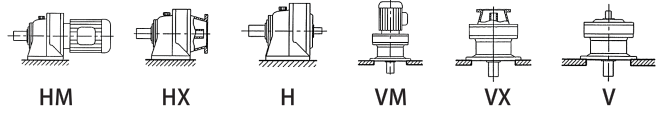


| Model 型式                      |                 |            | 50Hz                               |                                   |       |                                  |       |         | 60Hz                               |                                   |       |                                  |       |         | Dimension Page 頁數① |    |    |    |    |    |
|-------------------------------|-----------------|------------|------------------------------------|-----------------------------------|-------|----------------------------------|-------|---------|------------------------------------|-----------------------------------|-------|----------------------------------|-------|---------|--------------------|----|----|----|----|----|
| Input Capacity Symbol 馬力 編號 ② | Frame Size 型號 ③ | Ratio 速比 ④ | Output Speed 轉速 n <sub>2</sub> rpm | Output Torque 扭矩 T <sub>out</sub> |       | Allowable Radial Load 應許徑向負載 Pro |       | SF 安全係數 | Output Speed 轉速 n <sub>2</sub> rpm | Output Torque 扭矩 T <sub>out</sub> |       | Allowable Radial Load 應許徑向負載 Pro |       | SF 安全係數 | HM                 | HX | H  | VM | VX | V  |
|                               |                 |            |                                    | N.m                               | Kgf.m | N                                | kgf   |         |                                    | N.m                               | Kgf.m | N                                | kgf   |         |                    |    |    |    |    |    |
| 20                            | 8165            | 25         | 58.0                               | 2350                              | 239   | 16200                            | 1650  | 0.89    | 70.0                               | 1940                              | 198   | 15400                            | 1570  | 1.01    | 48                 | 56 | 61 | 65 | 73 | 78 |
|                               | 8175            |            |                                    |                                   |       | 18500                            | 1890  | 1.30    |                                    |                                   |       | 17500                            | 1780  | 1.30    | 48                 | 56 | 61 | 65 | 73 | 78 |
|                               | 8185            |            |                                    |                                   |       | 25300                            | 2580  | 2.01    |                                    |                                   |       | 23800                            | 2430  | 2.01    | 48                 | 56 | 61 | 65 | 73 | 78 |
|                               | 8195            |            |                                    |                                   |       | 35600                            | 3620  | 2.70    |                                    |                                   |       | 33500                            | 3410  | 2.70    | 48                 | 56 | 61 | 65 | 73 | 78 |
|                               | 8175            |            |                                    |                                   |       | 19400                            | 1980  | 1.16    |                                    |                                   |       | 18400                            | 1870  | 1.25    | 48                 | 56 | 61 | 65 | 73 | 78 |
| 20                            | 8185            | 29         | 50.0                               | 2720                              | 277   | 26400                            | 2690  | 1.61    | 60.3                               | 2260                              | 230   | 24900                            | 2540  | 1.61    | 48                 | 56 | 61 | 65 | 73 | 78 |
|                               | 8195            |            |                                    |                                   |       | 37400                            | 3810  | 2.52    |                                    |                                   |       | 35200                            | 3580  | 2.52    | 48                 | 56 | 61 | 65 | 73 | 78 |
|                               | 8175            |            |                                    |                                   |       | 20400                            | 2080  | 0.96    |                                    |                                   |       | 19400                            | 1970  | 1.01    | 48                 | 56 | 61 | 65 | 73 | 78 |
| 20                            | 8185            | 35         | 41.4                               | 3280                              | 335   | 28100                            | 2860  | 1.51    | 50.0                               | 2720                              | 277   | 26500                            | 2700  | 1.51    | 48                 | 56 | 61 | 65 | 73 | 78 |
|                               | 8195            |            |                                    |                                   |       | 39400                            | 4020  | 2.01    |                                    |                                   |       | 37100                            | 3780  | 2.01    | 48                 | 56 | 61 | 65 | 73 | 78 |
|                               | 8185            |            |                                    |                                   |       | 29900                            | 3050  | 1.24    |                                    |                                   |       | 28300                            | 2880  | 1.01    | 48                 | 56 | 61 | 65 | 73 | 78 |
| 20                            | 8195            | 43         | 33.7                               | 4040                              | 411   | 42300                            | 4310  | 1.81    | 40.7                               | 3340                              | 341   | 39900                            | 4060  | 1.39    | 48                 | 56 | 61 | 65 | 73 | 78 |
|                               | 8205            |            |                                    |                                   |       | 77500                            | 7900  | 2.12    |                                    |                                   |       | 73300                            | 7480  | 2.12    | 48                 | 56 | 61 | 65 | 73 | 78 |
|                               | 8185            |            |                                    |                                   |       | 30900                            | 3150  | 1.01    |                                    |                                   |       | 29200                            | 2980  | 1.01    | 48                 | 56 | 61 | 65 | 73 | 78 |
| 20                            | 8195            | 51         | 28.4                               | 4790                              | 488   | 44100                            | 4490  | 1.39    | 34.3                               | 3970                              | 404   | 41500                            | 4230  | 1.39    | 48                 | 56 | 61 | 65 | 73 | 78 |
|                               | 8185            |            |                                    |                                   |       | 32100                            | 3270  | 0.80    |                                    |                                   |       | 30400                            | 3100  | 0.80    | 48                 | 56 | 61 | 65 | 73 | 78 |
|                               | 8195            |            |                                    |                                   |       | 46000                            | 4690  | 1.25    |                                    |                                   |       | 43400                            | 4430  | 1.25    | 48                 | 56 | 61 | 65 | 73 | 78 |
| 20                            | 8205            | 59         | 24.6                               | 5540                              | 564   | 84100                            | 8570  | 1.51    | 29.7                               | 4590                              | 468   | 79700                            | 8120  | 1.51    | 48                 | 56 | 61 | 65 | 73 | 78 |
|                               | 8215            |            |                                    |                                   |       | 85900                            | 8760  | 2.26    |                                    |                                   |       | 81300                            | 8290  | 2.51    | 48                 | -  | 61 | 65 | -  | 78 |
|                               | 8195            |            |                                    |                                   |       | 48600                            | 4960  | 1.04    |                                    |                                   |       | 45900                            | 4680  | 1.04    | 48                 | 56 | 61 | 65 | 73 | 78 |
| 20                            | 8195            | 71         | 20.4                               | 6660                              | 679   | 52100                            | 5310  | 0.91    | 24.6                               | 5520                              | 563   | 49200                            | 5010  | 0.91    | 48                 | 56 | 61 | 65 | 73 | 78 |
|                               | 8205            |            |                                    |                                   |       | 84100                            | 8570  | 1.06    |                                    |                                   |       | 84100                            | 8570  | 1.06    | 48                 | 56 | 61 | 65 | 73 | 78 |
|                               | 8215            |            |                                    |                                   |       | 96100                            | 9790  | 1.31    |                                    |                                   |       | 91000                            | 9280  | 1.43    | 48                 | -  | 61 | 65 | -  | 78 |
|                               | 8225            |            |                                    |                                   |       | 102000                           | 10400 | 1.78    |                                    |                                   |       | 96400                            | 9830  | 1.78    | 48                 | -  | 61 | 65 | -  | 78 |
| 206                           | 8205            | 59         | 16.6                               | 8190                              | 835   | 84100                            | 8570  | 1.13    | 19.7                               | 6890                              | 703   | 84100                            | 8570  | 1.30    | 48                 | -  | 61 | 65 | 73 | 78 |
|                               | 8215            |            |                                    |                                   |       | 96200                            | 9800  | 1.55    |                                    |                                   |       | 91500                            | 9330  | 1.83    | 48                 | -  | 61 | 65 | -  | 78 |
|                               | 8225            |            |                                    |                                   |       | 102000                           | 10400 | 1.94    |                                    |                                   |       | 97000                            | 9890  | 2.22    | 48                 | -  | 61 | 65 | -  | 78 |
| 20                            | 8215DB          | 121        | 12.0                               | 10800                             | 1100  | 104000                           | 10600 | 1.06    | 14.5                               | 8910                              | 909   | 101000                           | 10300 | 1.28    | 54                 | 60 | 63 | 65 | 77 | 80 |
|                               | 8225DB          |            |                                    |                                   |       | 113000                           | 11600 | 1.25    |                                    |                                   |       | 108000                           | 11000 | 1.51    | 54                 | 60 | 63 | 65 | 77 | 80 |
|                               | 8235DA          |            |                                    |                                   |       | 142000                           | 14500 | 1.69    |                                    |                                   |       | 135000                           | 13800 | 1.69    | 54                 | 60 | 63 | 65 | 77 | 80 |
|                               | 8235DB          |            |                                    |                                   |       | 142000                           | 14500 | 1.74    |                                    |                                   |       | 135000                           | 13800 | 2.10    | 54                 | 60 | 63 | 65 | 77 | 80 |
|                               | 8245DB          |            |                                    |                                   |       | 159000                           | 16200 | 1.91    |                                    |                                   |       | 150000                           | 15300 | 2.30    | 54                 | 60 | 63 | 65 | 77 | 80 |
|                               | 8255DA          |            |                                    |                                   |       | 194000                           | 19800 | 2.12    |                                    |                                   |       | 184000                           | 18700 | 2.12    | 54                 | 60 | 63 | 65 | 77 | 80 |
|                               | 8255DB          |            |                                    |                                   |       | 194000                           | 19800 | 2.56    |                                    |                                   |       | 184000                           | 18700 | 3.08    | 54                 | 60 | 63 | 65 | 77 | 80 |
|                               | 8265DA          |            |                                    |                                   |       | 237000                           | 24200 | 2.91    |                                    |                                   |       | 225000                           | 22900 | 3.38    | 54                 | 60 | 63 | 65 | 77 | 80 |
|                               | 8225            |            |                                    |                                   |       | 114000                           | 11600 | 1.25    |                                    |                                   |       | 108000                           | 11000 | 1.48    | 48                 | -  | 61 | 65 | -  | 78 |
| 206                           | 8235            | 87         | 11.3                               | 12100                             | 1230  | 142000                           | 14500 | 1.42    | 13.4                               | 10200                             | 1040  | 135000                           | 13800 | 1.60    | 48                 | -  | 61 | 65 | -  | 78 |
|                               | 8245            |            |                                    |                                   |       | 159000                           | 16200 | 1.87    |                                    |                                   |       | 151000                           | 15400 | 2.14    | 48                 | -  | 61 | 65 | -  | 78 |
|                               | 8215DB          |            |                                    |                                   |       | 104000                           | 10600 | 0.83    |                                    |                                   |       | 104000                           | 10600 | 1.00    | 54                 | 60 | 63 | 71 | 77 | 80 |
| 20                            | 8225DB          | 165        | 8.79                               | 14700                             | 1500  | 122000                           | 12500 | 0.98    | 10.6                               | 12200                             | 1240  | 116000                           | 11800 | 1.19    | 54                 | 60 | 63 | 71 | 77 | 80 |
|                               | 8235DA          |            |                                    |                                   |       | 152000                           | 15500 | 1.34    |                                    |                                   |       | 144000                           | 14700 | 1.61    | 54                 | 60 | 63 | 71 | 77 | 80 |
|                               | 8245DA          |            |                                    |                                   |       | 170000                           | 17400 | 1.69    |                                    |                                   |       | 161000                           | 16400 | 1.69    | 54                 | 60 | 63 | 71 | 77 | 80 |
|                               | 8245DB          |            |                                    |                                   |       | 170000                           | 17400 | 1.79    |                                    |                                   |       | 161000                           | 16400 | 2.16    | 54                 | 60 | 63 | 71 | 77 | 80 |
|                               | 8255DA          |            |                                    |                                   |       | 209000                           | 21300 | 2.12    |                                    |                                   |       | 197000                           | 20100 | 2.12    | 54                 | 60 | 63 | 71 | 77 | 80 |
|                               | 8255DB          |            |                                    |                                   |       | 209000                           | 21300 | 2.12    |                                    |                                   |       | 197000                           | 20100 | 2.56    | 54                 | 60 | 63 | 71 | 77 | 80 |
|                               | 8265DA          |            |                                    |                                   |       | 254000                           | 25900 | 2.98    |                                    |                                   |       | 241000                           | 24500 | 3.38    | 54                 | 60 | 63 | 71 | 77 | 80 |

※ Frame sizes in Blue are the recommended models for 24 hours/day with uniform load. 均勻負載下，減速機連續使用 24 小時，建議使用標註藍色型號或更大型號。

# Service Factor 安全係數表

|                |                |      |     |      |      |
|----------------|----------------|------|-----|------|------|
| 15 kW<br>20 HP | Hz             | 50Hz |     | 60Hz |      |
|                | Pole           | 4    | 6   | 4    | 6    |
|                | n <sub>1</sub> | 1450 | 980 | 1750 | 1165 |

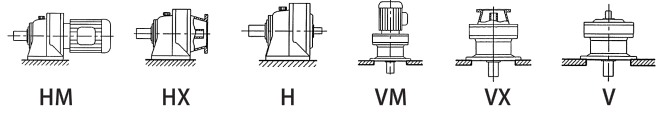


| Model 型式                     |                | 50Hz      |                                       |  |       |   | 60Hz  |         |                                       |  |       | Dimension Page 頁數①                        |       |         |    |    |    |    |    |    |
|------------------------------|----------------|-----------|---------------------------------------|--|-------|---|-------|---------|---------------------------------------|--|-------|---|-------|---------|----|----|----|----|----|----|
| Input Capacity Symbol 馬力 編號② | Frame Size 型號③ | Ratio 速比④ | Output Speed 轉速 n <sub>2</sub><br>rpm | Output Torque 扭矩 T <sub>out</sub><br>N.m Kgf.m |       | Allowable Radial Load 應許徑向負載 Pro<br>N kgf |       | SF 安全係數 | Output Speed 轉速 n <sub>2</sub><br>rpm | Output Torque 扭矩 T <sub>out</sub><br>N.m Kgf.m |       | Allowable Radial Load 應許徑向負載 Pro<br>N kgf |       | SF 安全係數 | HM | HX | H  | VM | VX | V  |
|                              |                |           |                                       | N.m  | Kgf.m | N   | kgf   |         |                                       | N.m  | Kgf.m | N   | kgf   |         |    |    |    |    |    |    |
| 20                           | 8225DB         | 195       | 7.44                                  | 17300  | 1770  | 128000                                    | 13100 | 0.84    | 8.97                                  | 14400  | 1460  | 122000                                    | 12400 | 1.01    | 54 | 60 | 63 | 71 | 77 | 80 |
|                              | 8235DA         |           |                                       |  |       | 160000                                    | 16300 | 1.13    |                                       |  |       | 151000                                    | 15400 | 1.37    | 54 | 60 | 63 | 71 | 77 | 80 |
|                              | 8245DA         |           |                                       |  |       | 179000                                    | 18200 | 1.51    |                                       |  |       | 169000                                    | 17200 | 1.59    | 54 | 60 | 63 | 71 | 77 | 80 |
|                              | 8245DB         |           |                                       |  |       | 179000                                    | 18200 | 1.51    |                                       |  |       | 169000                                    | 17200 | 1.83    | 54 | 60 | 63 | 71 | 77 | 80 |
|                              | 8255DA         |           |                                       |  |       | 219000                                    | 22300 | 1.80    |                                       |  |       | 207000                                    | 21100 | 2.12    | 54 | 60 | 63 | 71 | 77 | 80 |
|                              | 8255DB         |           |                                       |  |       | 219000                                    | 22300 | 1.80    |                                       |  |       | 207000                                    | 21100 | 2.17    | 54 | 60 | 63 | 71 | 77 | 80 |
| 20                           | 8265DA         | 231       | 6.28                                  | 20500  | 2090  | 267000                                    | 27200 | 2.52    | 7.58                                  | 17000  | 1730  | 253000                                    | 25800 | 3.04    | 54 | 60 | 63 | 71 | 77 | 80 |
|                              | 8235DA         |           |                                       |  |       | 171000                                    | 17400 | 0.92    |                                       |  |       | 162000                                    | 16500 | 1.11    | 54 | 60 | 63 | 71 | 77 | 80 |
|                              | 8245DA         |           |                                       |  |       | 190000                                    | 19400 | 1.26    |                                       |  |       | 180000                                    | 18400 | 1.52    | 54 | 60 | 63 | 71 | 77 | 80 |
|                              | 8255DA         |           |                                       |  |       | 232000                                    | 23700 | 1.51    |                                       |  |       | 220000                                    | 22400 | 1.82    | 54 | 60 | 63 | 71 | 77 | 80 |
| 20                           | 8265DA         | 273       | 5.31                                  | 24300  | 2470  | 276000                                    | 28100 | 2.24    | 6.41                                  | 20100  | 2050  | 269000                                    | 27400 | 2.70    | 54 | 60 | 63 | 71 | 77 | 80 |
|                              | 8235DA         |           |                                       |  |       | 189000                                    | 19300 | *       |                                       |  |       | 170000                                    | 17300 | *       | 54 | 60 | 63 | 71 | 77 | 80 |
|                              | 8245DA         |           |                                       |  |       | 200000                                    | 20300 | 1.06    |                                       |  |       | 189000                                    | 19300 | 1.28    | 54 | 60 | 63 | 71 | 77 | 80 |
|                              | 8255DA         |           |                                       |  |       | 244000                                    | 24900 | 1.28    |                                       |  |       | 231000                                    | 23500 | 1.54    | 54 | 60 | 63 | 71 | 77 | 80 |
| 20                           | 8265DA         | 319       | 4.55                                  | 28400  | 2890  | 276000                                    | 28100 | 1.90    | 5.49                                  | 23500  | 2400  | 276000                                    | 28100 | 2.29    | 54 | 60 | 63 | 71 | 77 | 80 |
|                              | 8245DA         |           |                                       |  |       | 208000                                    | 21200 | 0.91    |                                       |  |       | 197000                                    | 20100 | 1.10    | 54 | 60 | 63 | 71 | 77 | 80 |
|                              | 8255DA         |           |                                       |  |       | 256000                                    | 26100 | 1.14    |                                       |  |       | 243000                                    | 24800 | 1.38    | 54 | 60 | 63 | 71 | 77 | 80 |
|                              | 8275DA         |           |                                       |  |       | 276000                                    | 28100 | 1.62    |                                       |  |       | 276000                                    | 28100 | 1.96    | 54 | 60 | 63 | 71 | 77 | 80 |
| 20                           | 8275DA         | 377       | 3.85                                  | 33500  | 3420  | 248000                                    | 25300 | 2.40    | 4.64                                  | 27800  | 2830  | 248000                                    | 25300 | 2.90    | 54 | 60 | 63 | 71 | 77 | 80 |
|                              | 8245DA         |           |                                       |  |       | 258000                                    | 26300 | *       |                                       |  |       | 207000                                    | 21100 | *       | 54 | 60 | 63 | 71 | 77 | 80 |
|                              | 8255DA         |           |                                       |  |       | 258000                                    | 26300 | 0.97    |                                       |  |       | 255000                                    | 26000 | 1.17    | 54 | 60 | 63 | 71 | 77 | 80 |
|                              | 8265DA         |           |                                       |  |       | 276000                                    | 28100 | 1.37    |                                       |  |       | 276000                                    | 28100 | 1.66    | 54 | 60 | 63 | 71 | 77 | 80 |
| 20                           | 8275DA         | 473       | 3.07                                  | 42100  | 4290  | 248000                                    | 25300 | 2.03    | 3.70                                  | 34800  | 3550  | 248000                                    | 25300 | 2.46    | 54 | 60 | 63 | 71 | 77 | 80 |
|                              | 8255DB         |           |                                       |  |       | 258000                                    | 26300 | 0.82    |                                       |  |       | 258000                                    | 26300 | 0.98    | 54 | 60 | 63 | 71 | 77 | 80 |
|                              | 8265DA         |           |                                       |  |       | 276000                                    | 28100 | 1.09    |                                       |  |       | 276000                                    | 28100 | 1.32    | 54 | 60 | 63 | 71 | 77 | 80 |
| 20                           | 8275DA         | 493       | 2.94                                  | 43800  | 4460  | 248000                                    | 25300 | 1.62    | 3.55                                  | 36300  | 3700  | 248000                                    | 25300 | 1.96    | 54 | 60 | 63 | 71 | 77 | 80 |
|                              | 8255DA         |           |                                       |  |       | 325000                                    | 33100 | *       |                                       |  |       | 325000                                    | 33100 | *       | 54 | 60 | 63 | 71 | 77 | 80 |
|                              | 8265DA         |           |                                       |  |       | 276000                                    | 28100 | 1.05    |                                       |  |       | 276000                                    | 28100 | 1.27    | 54 | 60 | 63 | 71 | 77 | 80 |
| 20                           | 8275DA         | 559       | 2.59                                  | 49700  | 5070  | 248000                                    | 25300 | 1.56    | 3.13                                  | 41200  | 4200  | 248000                                    | 25300 | 1.88    | 54 | 60 | 63 | 71 | 77 | 80 |
|                              | 8255DA         |           |                                       |  |       | 345000                                    | 35200 | *       |                                       |  |       | 258000                                    | 26300 | *       | 54 | 60 | 63 | 71 | 77 | 80 |
|                              | 8265DA         |           |                                       |  |       | 276000                                    | 28100 | 0.93    |                                       |  |       | 276000                                    | 28100 | 1.12    | 54 | 60 | 63 | 71 | 77 | 80 |
| 20                           | 8275DA         | 649       | 2.23                                  | 57700  | 5880  | 248000                                    | 25300 | 1.37    | 2.70                                  | 47800  | 4870  | 248000                                    | 25300 | 1.66    | 54 | 60 | 63 | 71 | 77 | 80 |
|                              | 8265DA         |           |                                       |  |       | 276000                                    | 28100 | 0.80    |                                       |  |       | 276000                                    | 28100 | 0.96    | 54 | 60 | 63 | 71 | 77 | 80 |
| 20                           | 8275DA         | 731       | 1.98                                  | 65000  | 6630  | 248000                                    | 25300 | 1.18    | 2.39                                  | 53900  | 5490  | 248000                                    | 25300 | 1.43    | 54 | 60 | 63 | 71 | 77 | 80 |
|                              | 8265DA         |           |                                       |  |       | 460000                                    | 46900 | *       |                                       |  |       | 276000                                    | 28100 | *       | 54 | 60 | 63 | 71 | 77 | 80 |
| 20                           | 8275DA         | 841       | 1.72                                  | 74800  | 7620  | 248000                                    | 25300 | 1.05    | 2.08                                  | 62000  | 6320  | 248000                                    | 25300 | 1.27    | 54 | 60 | 63 | 71 | 77 | 80 |
|                              | 8265DA         |           |                                       |  |       | 460000                                    | 46900 | *       |                                       |  |       | 276000                                    | 28100 | *       | 54 | 60 | 63 | 71 | 77 | 80 |
| 20                           | 8275DA         | 1003      | 1.45                                  | 68200  | 6950  | 248000                                    | 25300 | 0.91    | 1.74                                  | 68200  | 6950  | 248000                                    | 25300 | *       | 54 | 60 | 63 | 71 | 77 | 80 |
| 20                           | 8275DA         | 1247      | 1.16                                  | 68200  | 6950  | 248000                                    | 25300 | 0.80    | 1.40                                  | 68200  | 6950  | 248000                                    | 25300 | *       | 54 | 60 | 63 | 71 | 77 | 80 |

\* Frame sizes in Blue are the recommended models for 24 hours/day with uniform load. 均勻負載下，減速機連續使用 24 小時，建議使用標註藍色型號或更大型號。

# Service Factor 安全係數表

|                  |                |      |     |      |      |
|------------------|----------------|------|-----|------|------|
| 18.5 kW<br>25 HP | Hz             | 50Hz |     | 60Hz |      |
|                  | Pole           | 4    | 6   | 4    | 6    |
|                  | n <sub>1</sub> | 1450 | 980 | 1750 | 1165 |

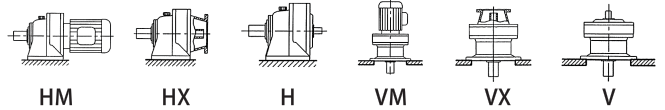


| Model 型式                      |                 |            | 50Hz                               |                                   |       |                                  |       |         | 60Hz                               |                                   |       |                                  |       |         | Dimension Page 頁數① |    |    |    |    |    |
|-------------------------------|-----------------|------------|------------------------------------|-----------------------------------|-------|----------------------------------|-------|---------|------------------------------------|-----------------------------------|-------|----------------------------------|-------|---------|--------------------|----|----|----|----|----|
| Input Capacity Symbol 馬力 編號 ② | Frame Size 型號 ③ | Ratio 速比 ④ | Output Speed 轉速 n <sub>2</sub> rpm | Output Torque 扭矩 T <sub>out</sub> |       | Allowable Radial Load 應許徑向負載 Pro |       | SF 安全係數 | Output Speed 轉速 n <sub>2</sub> rpm | Output Torque 扭矩 T <sub>out</sub> |       | Allowable Radial Load 應許徑向負載 Pro |       | SF 安全係數 | HM                 | HX | H  | VM | VX | V  |
|                               |                 |            |                                    | N.m                               | Kgf.m | N                                | kgf   |         |                                    | N.m                               | Kgf.m | N                                | kgf   |         |                    |    |    |    |    |    |
| 25                            | 8175            | 6          | 242                                | 695                               | 70.8  | 11500                            | 1180  | 1.63    | 292                                | 575                               | 58.7  | 10900                            | 1110  | 1.63    | 48                 | -  | 61 | 65 | -  | 78 |
| 25                            | 8175            | 8          | 181                                | 926                               | 94.4  | 12700                            | 1300  | 1.63    | 219                                | 767                               | 78.2  | 12000                            | 1220  | 1.63    | 48                 | -  | 61 | 65 | -  | 78 |
| 25                            | 8175            | 11         | 132                                | 1270                              | 130   | 14600                            | 1490  | 1.63    | 159                                | 1060                              | 108   | 13800                            | 1410  | 1.63    | 48                 | -  | 61 | 65 | -  | 78 |
|                               | 19500           |            |                                    |                                   |       | 1990                             | 2.11  | 18400   |                                    |                                   |       | 1880                             | 2.11  |         |                    |    |    |    |    |    |
| 25                            | 8195            | 11         | 132                                | 1270                              | 130   | 27400                            | 2790  | 2.60    | 159                                | 1060                              | 108   | 25800                            | 2630  | 2.60    | 48                 | -  | 61 | 65 | -  | 78 |
|                               | 15200           |            |                                    |                                   |       | 1550                             | 1.63  | 14300   |                                    |                                   |       | 1460                             | 1.63  |         |                    |    |    |    |    |    |
| 25                            | 8185            | 13         | 112                                | 1500                              | 153   | 20300                            | 2070  | 2.11    | 135                                | 1250                              | 127   | 19100                            | 1950  | 2.11    | 48                 | -  | 61 | 65 | -  | 78 |
|                               | 8195            |            |                                    |                                   |       | 28500                            | 2900  | 2.60    |                                    |                                   |       | 26800                            | 2730  | 2.60    |                    |    |    |    |    |    |
| 25                            | 8175            | 15         | 96.7                               | 1740                              | 177   | 15800                            | 1620  | 1.63    | 117                                | 1440                              | 147   | 15000                            | 1530  | 1.63    | 48                 | -  | 61 | 65 | -  | 78 |
|                               | 8185            |            |                                    |                                   |       | 21400                            | 2180  | 2.11    |                                    |                                   |       | 20200                            | 2060  | 2.11    |                    |    |    |    |    |    |
| 25                            | 8195            | 15         | 96.7                               | 1740                              | 177   | 29900                            | 3050  | 2.60    | 117                                | 1440                              | 147   | 28100                            | 2870  | 2.60    | 48                 | -  | 61 | 65 | -  | 78 |
|                               | 8175            |            |                                    |                                   |       | 16500                            | 1680  | 1.30    |                                    |                                   |       | 15600                            | 1590  | 1.30    |                    |    |    |    |    |    |
| 25                            | 8185            | 17         | 85.3                               | 1970                              | 201   | 22600                            | 2300  | 2.06    | 103                                | 1630                              | 166   | 21300                            | 2170  | 2.11    | 48                 | -  | 61 | 65 | -  | 78 |
|                               | 8195            |            |                                    |                                   |       | 31500                            | 3210  | 2.60    |                                    |                                   |       | 29700                            | 3020  | 2.60    |                    |    |    |    |    |    |
| 25                            | 8175            | 21         | 69.0                               | 2430                              | 248   | 17700                            | 1800  | 1.28    | 83.3                               | 2010                              | 205   | 16800                            | 1710  | 1.30    | 48                 | -  | 61 | 65 | -  | 78 |
|                               | 8185            |            |                                    |                                   |       | 24200                            | 2470  | 2.06    |                                    |                                   |       | 22800                            | 2330  | 2.11    |                    |    |    |    |    |    |
| 25                            | 8195            | 21         | 69.0                               | 2430                              | 248   | 33900                            | 3450  | 2.60    | 83.3                               | 2010                              | 205   | 31900                            | 3250  | 2.60    | 48                 | -  | 61 | 65 | -  | 78 |
|                               | 8175            |            |                                    |                                   |       | 18200                            | 1860  | 1.05    |                                    |                                   |       | 17300                            | 1760  | 1.05    |                    |    |    |    |    |    |
| 25                            | 8185            | 25         | 58.0                               | 2890                              | 295   | 25100                            | 2560  | 1.63    | 70.0                               | 2400                              | 244   | 23700                            | 2410  | 1.63    | 48                 | -  | 61 | 65 | -  | 78 |
|                               | 8195            |            |                                    |                                   |       | 35400                            | 3610  | 2.19    |                                    |                                   |       | 33300                            | 3400  | 2.19    |                    |    |    |    |    |    |
| 25                            | 8175            | 29         | 50.0                               | 3360                              | 342   | 19000                            | 1940  | 0.94    | 60.3                               | 2780                              | 284   | 18100                            | 1840  | 1.02    | 48                 | -  | 61 | 65 | -  | 78 |
|                               | 8185            |            |                                    |                                   |       | 26100                            | 2660  | 1.30    |                                    |                                   |       | 24700                            | 2520  | 1.30    |                    |    |    |    |    |    |
| 25                            | 8195            | 29         | 50.0                               | 3360                              | 342   | 37200                            | 3790  | 2.04    | 60.3                               | 2780                              | 284   | 35000                            | 3570  | 2.04    | 48                 | -  | 61 | 65 | -  | 78 |
|                               | 8205            |            |                                    |                                   |       | 68700                            | 7000  | 2.47    |                                    |                                   |       | 65000                            | 6630  | 2.47    |                    |    |    |    |    |    |
| 25                            | 8185            | 35         | 41.4                               | 4050                              | 413   | 27800                            | 2830  | 1.22    | 50.0                               | 3360                              | 342   | 26300                            | 2680  | 1.22    | 48                 | -  | 61 | 65 | -  | 78 |
|                               | 8195            |            |                                    |                                   |       | 39200                            | 3990  | 1.63    |                                    |                                   |       | 36900                            | 3760  | 1.63    |                    |    |    |    |    |    |
| 25                            | 8185            | 43         | 33.7                               | 4980                              | 507   | 29500                            | 3010  | 1.01    | 40.7                               | 4120                              | 420   | 28000                            | 2850  | 1.02    | 48                 | -  | 61 | 65 | -  | 78 |
|                               | 8195            |            |                                    |                                   |       | 42000                            | 4290  | 1.46    |                                    |                                   |       | 39600                            | 4040  | 1.63    |                    |    |    |    |    |    |
| 25                            | 8205            | 43         | 33.7                               | 4980                              | 507   | 77300                            | 7880  | 1.72    | 40.7                               | 4120                              | 420   | 73200                            | 7460  | 1.72    | 48                 | -  | 61 | 65 | 73 | 78 |
|                               | 8215            |            |                                    |                                   |       | 78900                            | 8050  | 2.44    |                                    |                                   |       | 74700                            | 7620  | 2.44    |                    |    |    |    |    |    |
| 25                            | 8185            | 51         | 28.4                               | 5900                              | 602   | 30400                            | 3100  | 0.82    | 34.3                               | 4890                              | 499   | 28900                            | 2940  | 0.82    | 48                 | -  | 61 | 65 | -  | 78 |
|                               | 8195            |            |                                    |                                   |       | 43700                            | 4460  | 1.13    |                                    |                                   |       | 41300                            | 4210  | 1.13    |                    |    |    |    |    |    |
| 25                            | 8195            | 51         | 28.4                               | 5900                              | 602   | 45700                            | 4660  | 1.02    | 34.3                               | 4890                              | 499   | 43100                            | 4400  | 1.02    | 48                 | -  | 61 | 65 | -  | 78 |
|                               | 8205            |            |                                    |                                   |       | 83900                            | 8550  | 1.22    |                                    |                                   |       | 79400                            | 8100  | 1.22    |                    |    |    |    |    |    |
| 25                            | 8215            | 59         | 24.6                               | 6830                              | 696   | 85600                            | 8730  | 1.83    | 29.7                               | 5660                              | 577   | 81100                            | 8270  | 2.04    | 48                 | -  | 61 | 65 | -  | 78 |
|                               | 8225            |            |                                    |                                   |       | 90800                            | 9250  | 2.12    |                                    |                                   |       | 86000                            | 8760  | 2.44    |                    |    |    |    |    |    |
| 256                           | 8195            | 43         | 22.8                               | 7360                              | 751   | 47400                            | 4830  | 1.08    | 27.1                               | 6190                              | 631   | 45000                            | 4580  | 1.24    | 48                 | -  | 61 | 65 | -  | 78 |
|                               | 8215            |            |                                    |                                   |       | 88400                            | 9010  | 1.72    |                                    |                                   |       | 84100                            | 8570  | 2.04    |                    |    |    |    |    |    |
| 25                            | 8225            | 43         | 22.8                               | 7360                              | 751   | 93700                            | 9550  | 2.17    | 27.1                               | 6190                              | 631   | 89100                            | 9090  | 2.58    | 48                 | -  | 61 | 65 | -  | 78 |
|                               | 8195            |            |                                    |                                   |       | 48100                            | 4910  | 0.84    |                                    |                                   |       | 45500                            | 4640  | 0.84    |                    |    |    |    |    |    |
| 25                            | 8215            | 87         | 16.7                               | 10100                             | 1030  | 95600                            | 9740  | 1.06    | 20.1                               | 8340                              | 851   | 90600                            | 9240  | 1.16    | 48                 | -  | 61 | 65 | -  | 78 |
|                               | 8225            |            |                                    |                                   |       | 101000                           | 10300 | 1.44    |                                    |                                   |       | 96100                            | 9790  | 1.44    |                    |    |    |    |    |    |
| 256                           | 8215            | 59         | 16.6                               | 10100                             | 1030  | 95700                            | 9760  | 1.25    | 19.7                               | 8500                              | 866   | 91100                            | 9290  | 1.49    | 48                 | -  | 61 | 65 | -  | 78 |
|                               | 8225            |            |                                    |                                   |       | 102000                           | 10300 | 1.57    |                                    |                                   |       | 96700                            | 9850  | 1.80    |                    |    |    |    |    |    |
| 25                            | 8235            | 59         | 16.6                               | 10100                             | 1030  | 127000                           | 12900 | 1.87    | 19.7                               | 8500                              | 866   | 120000                           | 12300 | 2.04    | 48                 | -  | 61 | 65 | -  | 78 |
|                               | 8225DB          |            |                                    |                                   |       | 113000                           | 11500 | 1.01    |                                    |                                   |       | 107000                           | 10900 | 1.22    |                    |    |    |    |    |    |
| 25                            | 8235DB          | 121        | 12.0                               | 13300                             | 1350  | 142000                           | 14500 | 1.41    | 14.5                               | 11000                             | 1120  | 134000                           | 13700 | 1.70    | 54                 | -  | 63 | 65 | 77 | 80 |
|                               | 8245DB          |            |                                    |                                   |       | 158000                           | 16100 | 1.55    |                                    |                                   |       | 150000                           | 15300 | 1.87    |                    |    |    |    |    |    |
| 25                            | 8255DB          | 121        | 12.0                               | 13300                             | 1350  | 194000                           | 19800 | 2.07    | 14.5                               | 11000                             | 1120  | 184000                           | 18700 | 2.50    | 54                 | -  | 63 | 65 | 77 | 80 |
|                               | 8265DA          |            |                                    |                                   |       | 237000                           | 24200 | 2.36    |                                    |                                   |       | 224000                           | 22900 | 2.74    |                    |    |    |    |    |    |

※ Frame sizes in Blue are the recommended models for 24 hours/day with uniform load. 均勻負載下，減速機連續使用 24 小時，建議使用標註藍色型號或更大型號。

# Service Factor 安全係數表

|                  |                |      |     |      |      |
|------------------|----------------|------|-----|------|------|
| 18.5 kW<br>25 HP | Hz             | 50Hz |     | 60Hz |      |
|                  | Pole           | 4    | 6   | 4    | 6    |
|                  | n <sub>1</sub> | 1450 | 980 | 1750 | 1165 |



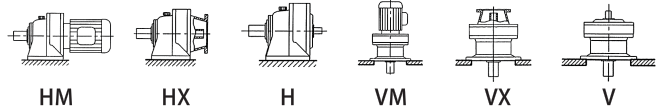
| Model 型式                    |                |           | 50Hz                               |                                   |       |                                  |       |         | 60Hz                               |                                   |       |                                  |       |         | Dimension Page 頁數① |    |    |    |    |    |
|-----------------------------|----------------|-----------|------------------------------------|-----------------------------------|-------|----------------------------------|-------|---------|------------------------------------|-----------------------------------|-------|----------------------------------|-------|---------|--------------------|----|----|----|----|----|
| Input Capacity Symbol 馬力編號② | Frame Size 型號③ | Ratio 速比④ | Output Speed 轉速 n <sub>2</sub> rpm | Output Torque 扭矩 T <sub>out</sub> |       | Allowable Radial Load 應許徑向負載 Pro |       | SF 安全係數 | Output Speed 轉速 n <sub>2</sub> rpm | Output Torque 扭矩 T <sub>out</sub> |       | Allowable Radial Load 應許徑向負載 Pro |       | SF 安全係數 | HM                 | HX | H  | VM | VX | V  |
|                             |                |           |                                    | N.m                               | Kgf.m | N                                | kgf   |         |                                    | N.m                               | Kgf.m | N                                | kgf   |         |                    |    |    |    |    |    |
| 256                         | 8225           | 87        | 11.3                               | 14900                             | 1520  | 113000                           | 11500 | 1.01    | 13.4                               | 12500                             | 1280  | 108000                           | 11000 | 1.20    | 48                 | -  | 61 | 65 | -  | 78 |
|                             | 8235           |           |                                    |                                   |       | 142000                           | 14400 | 1.15    |                                    |                                   |       | 135000                           | 13700 | 1.30    | 48                 | -  | 61 | 65 | -  | 78 |
|                             | 8245           |           |                                    |                                   |       | 159000                           | 16200 | 1.52    |                                    |                                   |       | 151000                           | 15400 | 1.74    | 48                 | -  | 61 | 65 | -  | 78 |
|                             | 8255           |           |                                    |                                   |       | 195000                           | 19900 | 2.08    |                                    |                                   |       | 186000                           | 18900 | 2.32    | 48                 | -  | 61 | 65 | -  | 78 |
| 25                          | 8225DB         | 165       | 8.79                               | 18100                             | 1840  | 121000                           | 12400 | 0.80    | 10.6                               | 15000                             | 1530  | 115000                           | 11800 | 0.97    | 54                 | -  | 63 | 71 | 77 | 80 |
|                             | 8235DB         |           |                                    |                                   |       | 151000                           | 15400 | 1.08    |                                    |                                   |       | 144000                           | 14600 | 1.31    | 54                 | -  | 63 | 71 | 77 | 80 |
|                             | 8245DB         |           |                                    |                                   |       | 170000                           | 17300 | 1.45    |                                    |                                   |       | 161000                           | 16400 | 1.75    | 54                 | -  | 63 | 71 | 77 | 80 |
|                             | 8255DB         |           |                                    |                                   |       | 208000                           | 21200 | 1.72    |                                    |                                   |       | 197000                           | 20100 | 2.08    | 54                 | -  | 63 | 71 | 77 | 80 |
|                             | 8265DA         |           |                                    |                                   |       | 254000                           | 25900 | 2.42    |                                    |                                   |       | 240000                           | 24500 | 2.74    | 54                 | -  | 63 | 71 | 77 | 80 |
| 25                          | 8245DB         | 195       | 7.44                               | 21400                             | 2180  | 178000                           | 18100 | 1.23    | 8.97                               | 17700                             | 1810  | 169000                           | 17200 | 1.48    | 54                 | -  | 63 | 71 | 77 | 80 |
|                             | 8255DB         |           |                                    |                                   |       | 218000                           | 22200 | 1.46    |                                    |                                   |       | 207000                           | 21100 | 1.76    | 54                 | -  | 63 | 71 | 77 | 80 |
|                             | 8265DA         |           |                                    |                                   |       | 267000                           | 27200 | 2.05    |                                    |                                   |       | 252000                           | 25700 | 2.47    | 54                 | -  | 63 | 71 | 77 | 80 |
| 25                          | 8245DB         | 231       | 6.28                               | 25300                             | 2580  | 189000                           | 19300 | 1.02    | 7.58                               | 21000                             | 2140  | 180000                           | 18300 | 1.23    | 54                 | -  | 63 | 71 | 77 | 80 |
|                             | 8255DA         |           |                                    |                                   |       | 232000                           | 23600 | 1.22    |                                    |                                   |       | 219000                           | 22400 | 1.48    | 54                 | -  | 63 | 71 | 77 | 80 |
|                             | 8265DA         |           |                                    |                                   |       | 276000                           | 28100 | 1.82    |                                    |                                   |       | 269000                           | 27400 | 2.19    | 54                 | -  | 63 | 71 | 77 | 80 |
| 25                          | 8245DB         | 273       | 5.31                               | 29900                             | 3050  | 198000                           | 20200 | 0.86    | 6.41                               | 24800                             | 2530  | 188000                           | 19200 | 1.04    | 54                 | -  | 63 | 71 | 77 | 80 |
|                             | 8255DA         |           |                                    |                                   |       | 243000                           | 24800 | 1.04    |                                    |                                   |       | 230000                           | 23500 | 1.25    | 54                 | -  | 63 | 71 | 77 | 80 |
|                             | 8265DA         |           |                                    |                                   |       | 276000                           | 28100 | 1.54    |                                    |                                   |       | 276000                           | 28100 | 1.85    | 54                 | -  | 63 | 71 | 77 | 80 |
| 25                          | 8255DB         | 319       | 4.55                               | 35000                             | 3570  | 255000                           | 26000 | 0.93    | 5.49                               | 29000                             | 2950  | 242000                           | 24600 | 1.12    | 54                 | -  | 63 | 71 | 77 | 80 |
|                             | 8265DA         |           |                                    |                                   |       | 276000                           | 28100 | 1.31    |                                    |                                   |       | 276000                           | 28100 | 1.59    | 54                 | -  | 63 | 71 | 77 | 80 |
|                             | 8275DA         |           |                                    |                                   |       | 248000                           | 25300 | 1.95    |                                    |                                   |       | 248000                           | 25300 | 2.35    | 54                 | -  | 63 | 71 | 77 | 80 |
| 25                          | 8265DA         | 377       | 3.85                               | 41300                             | 4210  | 276000                           | 28100 | 1.11    | 4.64                               | 34300                             | 3490  | 276000                           | 28100 | 1.34    | 54                 | -  | 63 | 71 | 77 | 80 |
|                             | 8275DA         |           |                                    |                                   |       | 248000                           | 25300 | 1.65    |                                    |                                   |       | 248000                           | 25300 | 1.99    | 54                 | -  | 63 | 71 | 77 | 80 |
| 25                          | 8265DA         | 473       | 3.07                               | 51900                             | 5290  | 276000                           | 28100 | 0.89    | 3.70                               | 43000                             | 4380  | 276000                           | 28100 | 1.07    | 54                 | -  | 63 | 71 | 77 | 80 |
|                             | 8275DA         |           |                                    |                                   |       | 248000                           | 25300 | 1.31    |                                    |                                   |       | 248000                           | 25300 | 1.59    | 54                 | -  | 63 | 71 | 77 | 80 |
| 25                          | 8265DA         | 493       | 2.94                               | 54100                             | 5510  | 276000                           | 28100 | 0.85    | 3.55                               | 44800                             | 4570  | 276000                           | 28100 | 1.03    | 54                 | -  | 63 | 71 | 77 | 80 |
|                             | 8275DA         |           |                                    |                                   |       | 248000                           | 25300 | 1.26    |                                    |                                   |       | 248000                           | 25300 | 1.52    | 54                 | -  | 63 | 71 | 77 | 80 |
| 25                          | 8275DA         | 559       | 2.59                               | 61300                             | 6250  | 248000                           | 25300 | 1.11    | 3.13                               | 50800                             | 5180  | 248000                           | 25300 | 1.34    | 54                 | -  | 63 | 71 | 77 | 80 |
| 25                          | 8275DA         | 649       | 2.23                               | 71200                             | 7250  | 248000                           | 25300 | 0.96    | 2.70                               | 59000                             | 6010  | 248000                           | 25300 | 1.16    | 54                 | -  | 63 | 71 | 77 | 80 |
| 25                          | 8275DA         | 731       | 1.98                               | 80200                             | 8170  | 248000                           | 25300 | 0.85    | 2.39                               | 66400                             | 6770  | 248000                           | 25300 | 1.03    | 54                 | -  | 63 | 71 | 77 | 80 |
| 25                          | 8275DA         | 841       | 1.72                               | 68200                             | 6950  | 248000                           | 25300 | *       | 2.08                               | 68200                             | 6950  | 248000                           | 25300 | *       | 54                 | -  | 63 | 71 | 77 | 80 |

※ Frame sizes in Blue are the recommended models for 24 hours/day with uniform load. 均勻負載下，減速機連續使用 24 小時，建議使用標註藍色型號或更大型號。



# Service Factor 安全係數表

|                |                |      |     |      |      |
|----------------|----------------|------|-----|------|------|
| 22 kW<br>30 HP | Hz             | 50Hz |     | 60Hz |      |
|                | Pole           | 4    | 6   | 4    | 6    |
|                | n <sub>1</sub> | 1450 | 980 | 1750 | 1165 |

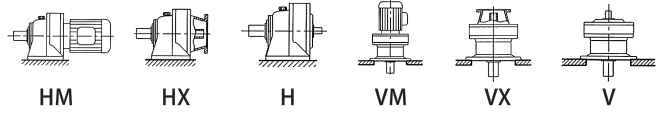


| Model 型式                     |                 |            | 50Hz                               |                                   |       |                                  |       |         | 60Hz                               |                                   |       |                                  |       |         | Dimension Page 頁數① |    |    |    |    |    |
|------------------------------|-----------------|------------|------------------------------------|-----------------------------------|-------|----------------------------------|-------|---------|------------------------------------|-----------------------------------|-------|----------------------------------|-------|---------|--------------------|----|----|----|----|----|
| Input Capacity Symbol 馬力編號 ② | Frame Size 型號 ③ | Ratio 速比 ④ | Output Speed 轉速 n <sub>2</sub> rpm | Output Torque 扭矩 T <sub>out</sub> |       | Allowable Radial Load 應許徑向負載 Pro |       | SF 安全係數 | Output Speed 轉速 n <sub>2</sub> rpm | Output Torque 扭矩 T <sub>out</sub> |       | Allowable Radial Load 應許徑向負載 Pro |       | SF 安全係數 | HM                 | HX | H  | VM | VX | V  |
|                              |                 |            |                                    | N.m                               | Kgf.m | N                                | kgf   |         |                                    | N.m                               | Kgf.m | N                                | kgf   |         |                    |    |    |    |    |    |
|                              |                 |            |                                    |                                   |       |                                  |       |         |                                    |                                   |       |                                  |       |         |                    |    |    |    |    |    |
| 30                           | 8175            | 6          | 242                                | 826                               | 84.2  | 11500                            | 1170  | 1.37    | 292                                | 684                               | 69.8  | 10800                            | 1100  | 1.37    | 49                 | -  | 61 | 66 | -  | 78 |
| 30                           | 8175            | 8          | 181                                | 1100                              | 112   | 12600                            | 1290  | 1.37    | 219                                | 912                               | 93.0  | 11900                            | 1220  | 1.37    | 49                 | -  | 61 | 66 | -  | 78 |
|                              | 8175            |            |                                    |                                   |       | 14500                            | 1470  | 1.37    |                                    |                                   |       | 13700                            | 1390  | 1.37    | 49                 | -  | 61 | 66 | -  | 78 |
| 30                           | 8185            | 11         | 132                                | 1510                              | 154   | 19500                            | 1980  | 1.77    | 159                                | 1250                              | 128   | 18300                            | 1870  | 1.77    | 49                 | -  | 61 | 66 | -  | 78 |
|                              | 8195            |            |                                    |                                   |       | 27300                            | 2780  | 2.19    |                                    |                                   |       | 25700                            | 2620  | 2.19    | 49                 | -  | 61 | 66 | -  | 78 |
|                              | 8205            |            |                                    |                                   |       | 52300                            | 5330  | 2.71    |                                    |                                   |       | 49500                            | 5040  | 2.71    | 49                 | -  | 61 | 66 | 73 | 78 |
| 30                           | 8175            | 13         | 112                                | 1790                              | 182   | 15000                            | 1530  | 1.37    | 135                                | 1480                              | 151   | 14200                            | 1450  | 1.37    | 49                 | -  | 61 | 66 | -  | 78 |
|                              | 8185            |            |                                    |                                   |       | 20200                            | 2060  | 1.77    |                                    |                                   |       | 19100                            | 1940  | 1.77    | 49                 | -  | 61 | 66 | -  | 78 |
|                              | 8195            |            |                                    |                                   |       | 28400                            | 2890  | 2.19    |                                    |                                   |       | 26700                            | 2730  | 2.19    | 49                 | -  | 61 | 66 | -  | 78 |
|                              | 8175            |            |                                    |                                   |       | 15600                            | 1590  | 1.37    |                                    |                                   |       | 14800                            | 1510  | 1.37    | 49                 | -  | 61 | 66 | -  | 78 |
| 30                           | 8185            | 15         | 96.7                               | 2060                              | 210   | 21300                            | 2170  | 1.77    | 177                                | 1710                              | 174   | 20100                            | 2050  | 1.77    | 49                 | -  | 61 | 66 | -  | 78 |
|                              | 8195            |            |                                    |                                   |       | 29800                            | 3040  | 2.19    |                                    |                                   |       | 28100                            | 2860  | 2.19    | 49                 | -  | 61 | 66 | -  | 78 |
|                              | 8205            |            |                                    |                                   |       | 56200                            | 5730  | 2.71    |                                    |                                   |       | 53200                            | 5420  | 2.71    | 49                 | -  | 61 | 66 | 73 | 78 |
| 30                           | 8175            | 17         | 85.3                               | 2340                              | 239   | 16200                            | 1650  | 1.10    | 103                                | 1940                              | 198   | 15400                            | 1570  | 1.10    | 49                 | -  | 61 | 66 | -  | 78 |
|                              | 8185            |            |                                    |                                   |       | 22400                            | 2280  | 1.74    |                                    |                                   |       | 21200                            | 2160  | 1.77    | 49                 | -  | 61 | 66 | -  | 78 |
|                              | 8195            |            |                                    |                                   |       | 31400                            | 3200  | 2.19    |                                    |                                   |       | 29600                            | 3010  | 2.19    | 49                 | -  | 61 | 66 | -  | 78 |
|                              | 8175            |            |                                    |                                   |       | 17500                            | 1780  | 1.07    |                                    |                                   |       | 16600                            | 1690  | 1.10    | 49                 | -  | 61 | 66 | -  | 78 |
| 30                           | 8185            | 21         | 69.0                               | 2890                              | 295   | 24000                            | 2450  | 1.73    | 83.3                               | 2400                              | 244   | 22700                            | 2310  | 1.77    | 49                 | -  | 61 | 66 | -  | 78 |
|                              | 8195            |            |                                    |                                   |       | 33700                            | 3440  | 2.19    |                                    |                                   |       | 31800                            | 3240  | 2.19    | 49                 | -  | 61 | 66 | -  | 78 |
|                              | 8205            |            |                                    |                                   |       | 62900                            | 6410  | 2.69    |                                    |                                   |       | 59500                            | 6070  | 2.69    | 49                 | -  | 61 | 66 | 73 | 78 |
| 30                           | 8175            | 25         | 58.0                               | 3440                              | 351   | 17900                            | 1830  | 0.89    | 70.0                               | 2850                              | 291   | 17000                            | 1740  | 0.89    | 49                 | -  | 61 | 66 | -  | 78 |
|                              | 8185            |            |                                    |                                   |       | 24900                            | 2530  | 1.37    |                                    |                                   |       | 23500                            | 2400  | 1.37    | 49                 | -  | 61 | 66 | -  | 78 |
|                              | 8195            |            |                                    |                                   |       | 35300                            | 3590  | 1.84    |                                    |                                   |       | 33200                            | 3390  | 1.84    | 49                 | -  | 61 | 66 | -  | 78 |
|                              | 8185            |            |                                    |                                   |       | 25900                            | 2640  | 1.10    |                                    |                                   |       | 24500                            | 2500  | 1.10    | 49                 | -  | 61 | 66 | -  | 78 |
| 30                           | 8195            | 29         | 50.0                               | 3990                              | 407   | 37000                            | 3770  | 1.72    | 60.3                               | 3310                              | 337   | 34900                            | 3560  | 1.72    | 49                 | -  | 61 | 66 | -  | 78 |
|                              | 8205            |            |                                    |                                   |       | 68500                            | 6990  | 2.08    |                                    |                                   |       | 64900                            | 6610  | 2.08    | 49                 | -  | 61 | 66 | 73 | 78 |
|                              | 8215            |            |                                    |                                   |       | 70000                            | 7130  | 2.66    |                                    |                                   |       | 66200                            | 6750  | 2.66    | 49                 | -  | 61 | 66 | -  | 78 |
| 30                           | 8185            | 35         | 41.4                               | 4820                              | 491   | 27500                            | 2810  | 1.03    | 50.0                               | 3990                              | 407   | 26000                            | 2650  | 1.03    | 49                 | -  | 61 | 66 | -  | 78 |
|                              | 8195            |            |                                    |                                   |       | 39000                            | 3970  | 1.37    |                                    |                                   |       | 36700                            | 3750  | 1.37    | 49                 | -  | 61 | 66 | -  | 78 |
|                              | 8185            |            |                                    |                                   |       | 29100                            | 2970  | 0.85    |                                    |                                   |       | 27600                            | 2820  | 0.85    | 49                 | -  | 61 | 66 | -  | 78 |
|                              | 8195            |            |                                    |                                   |       | 41800                            | 4260  | 1.23    |                                    |                                   |       | 29400                            | 4020  | 1.37    | 49                 | -  | 61 | 66 | -  | 78 |
| 30                           | 8205            | 43         | 33.7                               | 5920                              | 603   | 77100                            | 7860  | 1.45    | 40.7                               | 4900                              | 500   | 73000                            | 7440  | 1.45    | 49                 | -  | 61 | 66 | 73 | 78 |
|                              | 8215            |            |                                    |                                   |       | 78700                            | 8020  | 2.05    |                                    |                                   |       | 74600                            | 7600  | 2.05    | 49                 | -  | 61 | 66 | -  | 78 |
|                              | 8225            |            |                                    |                                   |       | 83400                            | 8510  | 2.57    |                                    |                                   |       | 79000                            | 8050  | 2.57    | 49                 | -  | 61 | 66 | -  | 78 |
| 30                           | 8195            | 51         | 28.4                               | 7020                              | 716   | 43400                            | 4420  | 0.95    | 34.3                               | 5820                              | 593   | 41000                            | 4180  | 0.95    | 49                 | -  | 61 | 66 | -  | 78 |
|                              | 8195            |            |                                    |                                   |       | 45300                            | 4620  | 0.85    |                                    |                                   |       | 42800                            | 4360  | 0.85    | 49                 | -  | 61 | 66 | -  | 78 |
| 30                           | 8205            | 59         | 24.6                               | 8120                              | 828   | 83600                            | 8520  | 1.03    | 29.7                               | 6730                              | 686   | 79200                            | 8070  | 1.03    | 49                 | -  | 61 | 66 | 73 | 78 |
|                              | 8215            |            |                                    |                                   |       | 85300                            | 8690  | 1.54    |                                    |                                   |       | 80800                            | 8240  | 1.71    | 49                 | -  | 61 | 66 | -  | 78 |
|                              | 8225            |            |                                    |                                   |       | 90500                            | 9220  | 1.79    |                                    |                                   |       | 85700                            | 8740  | 2.05    | 49                 | -  | 61 | 66 | -  | 78 |
| 306                          | 8205            | 43         | 22.8                               | 8760                              | 893   | 84100                            | 8570  | 1.06    | 27.1                               | 7370                              | 751   | 82100                            | 8370  | 1.26    | 49                 | -  | 61 | 66 | 73 | 78 |
|                              | 8215            |            |                                    |                                   |       | 88000                            | 8970  | 1.45    |                                    |                                   |       | 83800                            | 8540  | 1.72    | 49                 | -  | 61 | 66 | -  | 78 |
|                              | 8225            |            |                                    |                                   |       | 93400                            | 9520  | 1.83    |                                    |                                   |       | 88900                            | 9060  | 2.17    | 49                 | -  | 61 | 66 | -  | 78 |
| 30                           | 8225            | 87         | 16.7                               | 12000                             | 1220  | 101000                           | 10300 | 1.21    | 20.1                               | 9920                              | 1010  | 95700                            | 9760  | 1.21    | 49                 | -  | 61 | 66 | -  | 78 |
|                              | 8215            |            |                                    |                                   |       | 95200                            | 9710  | 1.05    |                                    |                                   |       | 90700                            | 9250  | 1.25    | 49                 | -  | 61 | 66 | -  | 78 |
| 306                          | 8225            | 59         | 16.6                               | 12000                             | 1220  | 101000                           | 10300 | 1.32    | 19.7                               | 10100                             | 1030  | 96300                            | 9810  | 1.51    | 49                 | -  | 61 | 66 | -  | 78 |
|                              | 8235            |            |                                    |                                   |       | 126000                           | 12900 | 1.57    |                                    |                                   |       | 120000                           | 12200 | 1.71    | 49                 | -  | 61 | 66 | -  | 78 |
|                              | 8245            |            |                                    |                                   |       | 141000                           | 14400 | 2.15    |                                    |                                   |       | 134000                           | 13700 | 2.55    | 49                 | -  | 61 | 66 | -  | 78 |

※ Frame sizes in Blue are the recommended models for 24 hours/day with uniform load. 均勻負載下，減速機連續使用 24 小時，建議使用標註藍色型號或更大型號。

# Service Factor 安全係數表

|                |                |      |     |      |      |
|----------------|----------------|------|-----|------|------|
| 22 kW<br>30 HP | Hz             | 50Hz |     | 60Hz |      |
|                | Pole           | 4    | 6   | 4    | 6    |
|                | n <sub>1</sub> | 1450 | 980 | 1750 | 1165 |

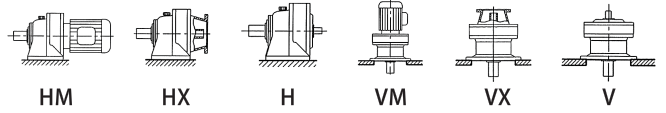


| Model 型式                     |                |           | 50Hz                                  |  |       |   |       | 60Hz    |                                       |  |       |   | Dimension Page 頁數① |         |    |    |    |    |    |    |
|------------------------------|----------------|-----------|---------------------------------------|--|-------|---|-------|---------|---------------------------------------|--|-------|---|--------------------|---------|----|----|----|----|----|----|
| Input Capacity Symbol 馬力 編號② | Frame Size 型號③ | Ratio 速比④ | Output Speed 轉速 n <sub>2</sub><br>rpm | Output Torque 扭矩 T <sub>out</sub><br>N.m Kgf.m |       | Allowable Radial Load 應許徑向負載 Pro<br>N kgf |       | SF 安全係數 | Output Speed 轉速 n <sub>2</sub><br>rpm | Output Torque 扭矩 T <sub>out</sub><br>N.m Kgf.m |       | Allowable Radial Load 應許徑向負載 Pro<br>N kgf |                    | SF 安全係數 | HM | HX | H  | VM | VX | V  |
|                              |                |           |                                       | N.m  | Kgf.m | N   | kgf   |         |                                       | N.m  | Kgf.m | N   | kgf                |         |    |    |    |    |    |    |
| 30                           | 8225DB         | 121       | 12.0                                  | 15800  | 1610  | 112000                                    | 11400 | 0.85    | 14.5                                  | 13100  | 1330  | 106000                                    | 10900              | 1.03    | 54 | -  | 63 | 71 | -  | 80 |
|                              | 8235DB         |           |                                       |  |       | 141000                                    | 14400 | 1.19    |                                       |  |       | 134000                                    | 13700              | 1.43    | 54 | -  | 63 | 71 | -  | 80 |
|                              | 8245DB         |           |                                       |  |       | 157000                                    | 16000 | 1.30    |                                       |  |       | 149000                                    | 15200              | 1.57    | 54 | -  | 63 | 71 | -  | 80 |
|                              | 8255DB         |           |                                       |  |       | 193000                                    | 19700 | 1.74    |                                       |  |       | 183000                                    | 18700              | 2.10    | 54 | -  | 63 | 71 | -  | 80 |
|                              | 8265DA         |           |                                       |  |       | 237000                                    | 24100 | 1.99    |                                       |  |       | 224000                                    | 22800              | 2.31    | 54 | -  | 63 | 71 | -  | 80 |
| 306                          | 8245           | 87        | 11.3                                  | 17700  | 1810  | 158000                                    | 16100 | 1.28    | 13.4                                  | 14900  | 1520  | 150000                                    | 15300              | 1.46    | 49 | -  | 61 | 66 | -  | 78 |
|                              | 8255           |           |                                       |  |       | 195000                                    | 19800 | 1.75    |                                       |  |       | 185000                                    | 18900              | 1.95    | 49 | -  | 61 | 66 | -  | 78 |
|                              | 8265           |           |                                       |  |       | 237000                                    | 24200 | 2.43    |                                       |  |       | 226000                                    | 23000              | 2.43    | 49 | -  | 61 | 66 | -  | 78 |
| 30                           | 8235DB         | 165       | 8.79                                  | 21500  | 2190  | 151000                                    | 15400 | 0.91    | 10.6                                  | 17800  | 1820  | 143000                                    | 14600              | 1.10    | 54 | -  | 63 | 71 | -  | 80 |
|                              | 8245DB         |           |                                       |  |       | 169000                                    | 17200 | 1.22    |                                       |  |       | 160000                                    | 16300              | 1.47    | 54 | -  | 63 | 71 | -  | 80 |
|                              | 8255DA         |           |                                       |  |       | 207000                                    | 21100 | 1.45    |                                       |  |       | 196000                                    | 20000              | 1.45    | 54 | -  | 63 | 71 | -  | 80 |
|                              | 8255DB         |           |                                       |  |       | 207000                                    | 21100 | 1.45    |                                       |  |       | 196000                                    | 20000              | 1.75    | 54 | -  | 63 | 71 | -  | 80 |
|                              | 8265DA         |           |                                       |  |       | 253000                                    | 25800 | 2.03    |                                       |  |       | 240000                                    | 24400              | 2.31    | 54 | -  | 63 | 71 | -  | 80 |
| 30                           | 8245DB         | 195       | 7.44                                  | 25400  | 2590  | 177000                                    | 18000 | 1.03    | 8.97                                  | 21100  | 2150  | 168000                                    | 17100              | 1.25    | 54 | -  | 63 | 71 | -  | 80 |
|                              | 8255DA         |           |                                       |  |       | 218000                                    | 22200 | 1.23    |                                       |  |       | 206000                                    | 21000              | 1.45    | 54 | -  | 63 | 71 | -  | 80 |
|                              | 8255DB         |           |                                       |  |       | 218000                                    | 22200 | 1.23    |                                       |  |       | 206000                                    | 21000              | 1.48    | 54 | -  | 63 | 71 | -  | 80 |
|                              | 8265DA         |           |                                       |  |       | 266000                                    | 27100 | 1.72    |                                       |  |       | 252000                                    | 25700              | 2.08    | 54 | -  | 63 | 71 | -  | 80 |
| 30                           | 8245DB         | 231       | 6.28                                  | 30100  | 3070  | 188000                                    | 19200 | 0.86    | 7.58                                  | 25200  | 2540  | 179000                                    | 18200              | 1.03    | 54 | -  | 63 | 71 | -  | 80 |
|                              | 8255DA         |           |                                       |  |       | 231000                                    | 23500 | 1.03    |                                       |  |       | 219000                                    | 22300              | 1.24    | 54 | -  | 63 | 71 | -  | 80 |
|                              | 8265DA         |           |                                       |  |       | 276000                                    | 28100 | 1.53    |                                       |  |       | 268000                                    | 27300              | 1.84    | 54 | -  | 63 | 71 | -  | 80 |
| 30                           | 8245DB         | 273       | 5.31                                  | 25800  | 2630  | 199000                                    | 20300 | *       | 6.41                                  | 25800  | 2630  | 188000                                    | 19200              | *       | 54 | -  | 63 | 71 | -  | 80 |
|                              | 8255DA         |           |                                       | 35600  | 3630  | 242000                                    | 24700 | 0.87    |                                       | 29500  | 3010  | 229000                                    | 23400              | 1.05    | 54 | -  | 63 | 71 | -  | 80 |
|                              | 8265DA         |           |                                       | 35600  | 3630  | 276000                                    | 28100 | 1.29    |                                       | 29500  | 3010  | 276000                                    | 28100              | 1.56    | 54 | -  | 63 | 71 | -  | 80 |
| 30                           | 8255DA         | 319       | 4.55                                  | 32500  | 3310  | 255000                                    | 26000 | *       | 5.49                                  | 32500  | 3310  | 241000                                    | 24600              | *       | 54 | -  | 63 | 71 | -  | 80 |
|                              | 8265DA         |           |                                       | 41600  | 4240  | 276000                                    | 28100 | 1.11    |                                       | 34500  | 3510  | 276000                                    | 28100              | 1.33    | 54 | -  | 63 | 71 | -  | 80 |
|                              | 8275DA         |           |                                       | 41600  | 4240  | 248000                                    | 25300 | 1.64    |                                       | 34500  | 3510  | 248000                                    | 25300              | 1.98    | 54 | -  | 63 | 71 | -  | 80 |
| 30                           | 8265DA         | 377       | 3.85                                  | 49200  | 5010  | 276000                                    | 28100 | 0.94    | 4.64                                  | 40700  | 4150  | 276000                                    | 28100              | 1.13    | 54 | -  | 63 | 71 | -  | 80 |
|                              | 8275DA         |           |                                       | 49200  | 5010  | 248000                                    | 25300 | 1.39    |                                       | 40700  | 4150  | 248000                                    | 25300              | 1.67    | 54 | -  | 63 | 71 | -  | 80 |
| 30                           | 8265DA         | 473       | 3.07                                  | 46000  | 4690  | 276000                                    | 28100 | *       | 3.70                                  | 46000  | 4690  | 276000                                    | 28100              | *       | 54 | -  | 63 | 71 | -  | 80 |
|                              | 8275DA         |           |                                       | 61700  | 6290  | 248000                                    | 25300 | 1.11    |                                       | 51100  | 5210  | 248000                                    | 25300              | 1.33    | 54 | -  | 63 | 71 | -  | 80 |
| 30                           | 8265DA         | 493       | 2.94                                  | 46000  | 4690  | 276000                                    | 28100 | *       | 3.55                                  | 46000  | 4690  | 276000                                    | 28100              | *       | 54 | -  | 63 | 71 | -  | 80 |
|                              | 8275DA         |           |                                       | 64300  | 6550  | 248000                                    | 25300 | 1.06    |                                       | 53300  | 5430  | 248000                                    | 25300              | 1.28    | 54 | -  | 63 | 71 | -  | 80 |
| 30                           | 8275DA         | 559       | 2.59                                  | 72900  | 7430  | 248000                                    | 25300 | 0.94    | 3.13                                  | 60400  | 6160  | 248000                                    | 25300              | 1.13    | 54 | -  | 63 | 71 | -  | 80 |
| 30                           | 8275DA         | 649       | 2.23                                  | 84600  | 8630  | 248000                                    | 25300 | 0.81    | 2.70                                  | 70100  | 7150  | 248000                                    | 25300              | 0.97    | 54 | -  | 63 | 71 | -  | 80 |
| 30                           | 8275DA         | 731       | 1.98                                  | 68200  | 6950  | 248000                                    | 25300 | *       | 2.39                                  | 68200  | 6950  | 248000                                    | 25300              | *       | 54 | -  | 63 | 71 | -  | 80 |

※ Frame sizes in Blue are the recommended models for 24 hours/day with uniform load. 均勻負載下，減速機連續使用 24 小時，建議使用標註藍色型號或更大型號。

# Service Factor 安全係數表

|                |                |      |     |      |      |
|----------------|----------------|------|-----|------|------|
| 30 kW<br>40 HP | Hz             | 50Hz |     | 60Hz |      |
|                | Pole           | 4    | 6   | 4    | 6    |
|                | n <sub>1</sub> | 1450 | 980 | 1750 | 1165 |

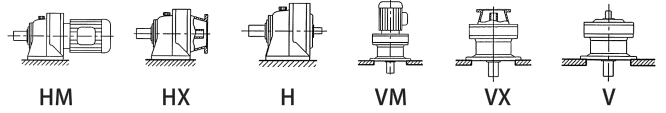


| Model 型式                    |                | 50Hz      |                                |                                   |      |                                  |       |         | 60Hz                           |                                   |      |                                  |       |         |    | Dimension Page 頁數① |    |    |    |    |   |
|-----------------------------|----------------|-----------|--------------------------------|-----------------------------------|------|----------------------------------|-------|---------|--------------------------------|-----------------------------------|------|----------------------------------|-------|---------|----|--------------------|----|----|----|----|---|
| Input Capacity Symbol 馬力編號② | Frame Size 型號③ | Ratio 速比④ | Output Speed 轉速 n <sub>2</sub> | Output Torque 扭矩 T <sub>out</sub> |      | Allowable Radial Load 應許徑向負載 Pro |       | SF 安全係數 | Output Speed 轉速 n <sub>2</sub> | Output Torque 扭矩 T <sub>out</sub> |      | Allowable Radial Load 應許徑向負載 Pro |       | SF 安全係數 | HM | HX                 | H  | VM | VX | V  |   |
|                             |                |           |                                | rpm                               | N.m  | Kgf.m                            | N     |         |                                | kgf                               | rpm  | N.m                              | Kgf.m |         |    |                    |    |    |    |    | N |
| 40                          | 8175           | 6         | 242                            | 1130                              | 115  | 11300                            | 1150  | 1.00    | 292                            | 993                               | 95.1 | 10700                            | 1090  | 1.00    | 49 | -                  | 61 | 66 | -  | 78 |   |
| 40                          | 8175           | 8         | 181                            | 1500                              | 153  | 12400                            | 1260  | 1.00    | 219                            | 1240                              | 127  | 11700                            | 1200  | 1.00    | 49 | -                  | 61 | 66 | -  | 78 |   |
|                             | 8175           |           |                                |                                   |      | 14100                            | 1440  | 1.00    |                                |                                   |      | 13400                            | 1370  | 1.00    | 49 | -                  | 61 | 66 | -  | 78 |   |
|                             | 8185           |           |                                |                                   |      | 19200                            | 1960  | 1.30    |                                |                                   |      | 18200                            | 1850  | 1.30    | 49 | -                  | 61 | 66 | -  | 78 |   |
| 40                          | 8195           | 11        | 132                            | 2060                              | 210  | 27100                            | 2760  | 1.60    | 159                            | 1710                              | 174  | 25500                            | 2600  | 1.60    | 49 | -                  | 61 | 66 | -  | 78 |   |
|                             | 8205           |           |                                |                                   |      | 52200                            | 5320  | 1.99    |                                |                                   |      | 49400                            | 5030  | 1.99    | 49 | -                  | 61 | 66 | -  | 78 |   |
|                             | 8215           |           |                                |                                   |      | 52900                            | 5390  | 2.51    |                                |                                   |      | 50000                            | 5100  | 2.51    | 49 | -                  | 61 | 66 | -  | 78 |   |
| 40                          | 8175           | 13        | 112                            | 2440                              | 249  | 14600                            | 1490  | 1.00    | 135                            | 2020                              | 206  | 13900                            | 1420  | 1.00    | 49 | -                  | 61 | 66 | -  | 78 |   |
|                             | 8185           |           |                                |                                   |      | 19900                            | 2030  | 1.30    |                                |                                   |      | 18800                            | 1920  | 1.30    | 49 | -                  | 61 | 66 | -  | 78 |   |
|                             | 8195           |           |                                |                                   |      | 28200                            | 2870  | 1.60    |                                |                                   |      | 26500                            | 2710  | 1.60    | 49 | -                  | 61 | 66 | -  | 78 |   |
|                             | 8175           |           |                                |                                   |      | 15100                            | 1540  | 1.00    |                                |                                   |      | 14400                            | 1470  | 1.00    | 49 | -                  | 61 | 66 | -  | 78 |   |
|                             | 8185           |           |                                |                                   |      | 20900                            | 2130  | 1.30    |                                |                                   |      | 19800                            | 2020  | 1.30    | 49 | -                  | 61 | 66 | -  | 78 |   |
| 40                          | 8195           | 15        | 96.7                           | 2820                              | 287  | 29500                            | 3010  | 1.60    | 117                            | 2330                              | 238  | 27800                            | 2840  | 1.60    | 49 | -                  | 61 | 66 | -  | 78 |   |
|                             | 8205           |           |                                |                                   |      | 56000                            | 5710  | 1.99    |                                |                                   |      | 53000                            | 5410  | 1.99    | 49 | -                  | 61 | 66 | -  | 78 |   |
|                             | 8215           |           |                                |                                   |      | 56800                            | 5790  | 2.51    |                                |                                   |      | 53800                            | 5480  | 2.51    | 49 | -                  | 61 | 66 | -  | 78 |   |
| 40                          | 8185           | 17        | 85.3                           | 3190                              | 325  | 22000                            | 2240  | 1.27    | 103                            | 2640                              | 270  | 20800                            | 2120  | 1.30    | 49 | -                  | 61 | 66 | -  | 78 |   |
|                             | 8195           |           |                                |                                   |      | 31100                            | 3170  | 1.60    |                                |                                   |      | 29300                            | 2990  | 1.60    | 49 | -                  | 61 | 66 | -  | 78 |   |
|                             | 8185           |           |                                |                                   |      | 23600                            | 2410  | 1.27    |                                |                                   |      | 22400                            | 2280  | 1.30    | 49 | -                  | 61 | 66 | -  | 78 |   |
|                             | 8195           |           |                                |                                   |      | 33500                            | 3410  | 1.60    |                                |                                   |      | 31500                            | 3220  | 1.60    | 49 | -                  | 61 | 66 | -  | 78 |   |
| 40                          | 8205           | 21        | 69.0                           | 3940                              | 402  | 62700                            | 6390  | 1.97    | 83.3                           | 3270                              | 333  | 59300                            | 6050  | 1.97    | 49 | -                  | 61 | 66 | -  | 78 |   |
|                             | 8215           |           |                                |                                   |      | 64100                            | 6530  | 2.51    |                                |                                   |      | 60700                            | 6180  | 2.51    | 49 | -                  | 61 | 66 | -  | 78 |   |
| 40                          | 8185           | 25        | 58.0                           | 4690                              | 478  | 24400                            | 2490  | 1.00    | 70.0                           | 3890                              | 396  | 23100                            | 2360  | 1.00    | 49 | -                  | 61 | 66 | -  | 78 |   |
|                             | 8195           |           |                                |                                   |      | 34900                            | 3560  | 1.35    |                                |                                   |      | 32900                            | 3360  | 1.35    | 49 | -                  | 61 | 66 | -  | 78 |   |
|                             | 8185           |           |                                |                                   |      | 25300                            | 2580  | 0.80    |                                |                                   |      | 24000                            | 2450  | 0.80    | 49 | -                  | 61 | 66 | -  | 78 |   |
|                             | 8195           |           |                                |                                   |      | 36600                            | 3730  | 1.26    |                                |                                   |      | 34500                            | 3520  | 1.26    | 49 | -                  | 61 | 66 | -  | 78 |   |
| 40                          | 8205           | 29        | 50.0                           | 5440                              | 555  | 68200                            | 6950  | 1.52    | 60.3                           | 4510                              | 460  | 64600                            | 6590  | 1.52    | 49 | -                  | 61 | 66 | -  | 78 |   |
|                             | 8215           |           |                                |                                   |      | 69600                            | 7090  | 1.95    |                                |                                   |      | 65900                            | 6720  | 1.95    | 49 | -                  | 61 | 66 | -  | 78 |   |
|                             | 8225           |           |                                |                                   |      | 73700                            | 7520  | 2.51    |                                |                                   |      | 69800                            | 7120  | 2.51    | 49 | -                  | 61 | 66 | -  | 78 |   |
| 406                         | 8195           | 21        | 46.7                           | 5830                              | 595  | 37700                            | 3850  | 1.36    | 55.5                           | 4910                              | 500  | 35800                            | 3650  | 1.60    | 49 | -                  | 61 | 66 | -  | 78 |   |
|                             | 8215           |           |                                |                                   |      | 71700                            | 7310  | 2.14    |                                |                                   |      | 68200                            | 6960  | 2.51    | 49 | -                  | 61 | 66 | -  | 78 |   |
| 40                          | 8195           | 25        | 41.4                           | 6570                              | 670  | 38400                            | 3920  | 1.00    | 50.0                           | 5440                              | 555  | 36300                            | 3700  | 1.00    | 49 | -                  | 61 | 66 | -  | 78 |   |
|                             | 8205           |           |                                |                                   |      | 76300                            | 7770  | 1.15    |                                |                                   |      | 72600                            | 7400  | 1.32    | 49 | -                  | 61 | 66 | -  | 78 |   |
| 406                         | 8215           | 29        | 33.8                           | 8050                              | 821  | 77800                            | 7930  | 1.57    | 40.2                           | 6780                              | 691  | 74100                            | 7550  | 1.87    | 49 | -                  | 61 | 66 | -  | 78 |   |
|                             | 8225           |           |                                |                                   |      | 82500                            | 8410  | 1.87    |                                |                                   |      | 78500                            | 8000  | 2.22    | 49 | -                  | 61 | 66 | -  | 78 |   |
|                             | 8195           |           |                                |                                   |      | 41100                            | 4190  | 0.90    |                                |                                   |      | 38900                            | 3970  | 1.00    | 49 | -                  | 61 | 66 | -  | 78 |   |
| 40                          | 8205           | 43        | 33.7                           | 8070                              | 823  | 76600                            | 7810  | 1.06    | 40.7                           | 6690                              | 682  | 72600                            | 7400  | 1.06    | 49 | -                  | 61 | 66 | -  | 78 |   |
|                             | 8215           |           |                                |                                   |      | 78200                            | 7970  | 1.51    |                                |                                   |      | 74100                            | 7560  | 1.51    | 49 | -                  | 61 | 66 | -  | 78 |   |
|                             | 8225           |           |                                |                                   |      | 83000                            | 8460  | 1.88    |                                |                                   |      | 78600                            | 8010  | 1.88    | 49 | -                  | 61 | 66 | -  | 78 |   |
| 40                          | 8215           | 59        | 24.6                           | 11100                             | 1130 | 84600                            | 8620  | 1.13    | 29.7                           | 9180                              | 935  | 80300                            | 8180  | 1.26    | 49 | -                  | 61 | 66 | -  | 78 |   |
|                             | 8225           |           |                                |                                   |      | 89800                            | 9150  | 1.31    |                                |                                   |      | 85200                            | 8680  | 1.51    | 49 | -                  | 61 | 66 | -  | 78 |   |
|                             | 8215           |           |                                |                                   |      | 87200                            | 8890  | 1.06    |                                |                                   |      | 83100                            | 8480  | 1.26    | 49 | -                  | 61 | 66 | -  | 78 |   |
| 406                         | 8225           | 43        | 22.8                           | 11900                             | 1220 | 92600                            | 9440  | 1.34    | 27.1                           | 10000                             | 1020 | 88300                            | 9000  | 1.59    | 49 | -                  | 61 | 66 | -  | 78 |   |
|                             | 8245           |           |                                |                                   |      | 129000                           | 13200 | 2.16    |                                |                                   |      | 123000                           | 12500 | 2.51    | 49 | -                  | 61 | 66 | -  | 78 |   |
|                             | 8235           |           |                                |                                   |      | 125000                           | 12800 | 1.15    |                                |                                   |      | 119000                           | 12200 | 1.26    | 49 | -                  | 61 | 66 | -  | 78 |   |
| 406                         | 8245           | 59        | 16.6                           | 16400                             | 1670 | 140000                           | 14300 | 1.57    | 19.7                           | 13800                             | 1410 | 134000                           | 13600 | 1.87    | 49 | -                  | 61 | 66 | -  | 78 |   |
|                             | 8255           |           |                                |                                   |      | 173000                           | 17600 | 1.89    |                                |                                   |      | 164000                           | 16800 | 2.16    | 49 | -                  | 61 | 66 | -  | 78 |   |

※ Frame sizes in Blue are the recommended models for 24 hours/day with uniform load. 均勻負載下，減速機連續使用 24 小時，建議使用標註藍色型號或更大型號。

# Service Factor 安全係數表

|                |                |      |     |      |      |
|----------------|----------------|------|-----|------|------|
| 30 kW<br>40 HP | Hz             | 50Hz |     | 60Hz |      |
|                | Pole           | 4    | 6   | 4    | 6    |
|                | n <sub>1</sub> | 1450 | 980 | 1750 | 1165 |



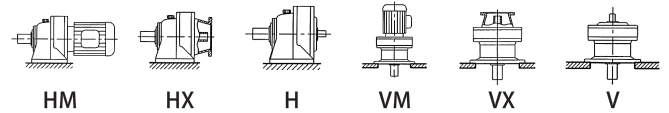
| Model 型式                     |                |           | 50Hz                               |                                   |       |                                  |        | 60Hz    |                                    |                                   |       |                                  | Dimension Page 頁數① |         |    |    |    |    |    |    |
|------------------------------|----------------|-----------|------------------------------------|-----------------------------------|-------|----------------------------------|--------|---------|------------------------------------|-----------------------------------|-------|----------------------------------|--------------------|---------|----|----|----|----|----|----|
| Input Capacity Symbol 馬力 編號② | Frame Size 型號③ | Ratio 速比④ | Output Speed 轉速 n <sub>2</sub> rpm | Output Torque 扭矩 T <sub>out</sub> |       | Allowable Radial Load 應許徑向負載 Pro |        | SF 安全係數 | Output Speed 轉速 n <sub>2</sub> rpm | Output Torque 扭矩 T <sub>out</sub> |       | Allowable Radial Load 應許徑向負載 Pro |                    | SF 安全係數 | HM | HX | H  | VM | VX | V  |
|                              |                |           |                                    | N.m                               | Kgf.m | N                                | kgf    |         |                                    | N.m                               | Kgf.m | N                                | Kgf                |         |    |    |    |    |    |    |
| 40                           | 8225DB         | 121       | 12.0                               | 13500                             | 1370  | 113000                           | 11500  | *       | 14.5                               | 13500                             | 1370  | 106000                           | 10800              | *       | 54 | -  | 63 | 71 | -  | 80 |
|                              | 8235DB         |           |                                    |                                   |       | 140000                           | 14300  | 0.87    |                                    |                                   |       | 133000                           | 13500              | 1.05    | 54 | -  | 63 | 71 | -  | 80 |
|                              | 8245DB         |           |                                    | 156000                            | 15900 | 0.95                             | 148000 | 15100   |                                    | 1.15                              | 54    | -                                | 63                 | 71      | -  | 80 |    |    |    |    |
|                              | 8255DA         |           |                                    | 21500                             | 2190  | 192000                           | 19600  | 1.06    |                                    | 17800                             | 1820  | 182000                           | 18600              | 1.06    | 54 | -  | 63 | 71 | -  | 80 |
|                              | 8255DB         |           |                                    | 192000                            | 19600 | 1.28                             | 182000 | 18600   |                                    | 1.54                              | 54    | -                                | 63                 | 71      | -  | 80 |    |    |    |    |
|                              | 8265DA         |           |                                    | 236000                            | 24000 | 1.46                             | 223000 | 22700   |                                    | 1.69                              | 54    | -                                | 63                 | 71      | -  | 80 |    |    |    |    |
| 406                          | 8255           | 87        | 11.3                               | 24200                             | 2460  | 193000                           | 19700  | 1.28    | 13.4                               | 20300                             | 2070  | 184000                           | 18800              | 1.43    | 49 | -  | 61 | 66 | -  | 78 |
|                              | 8265           |           |                                    |                                   |       | 236000                           | 24100  | 1.78    |                                    |                                   |       | 225000                           | 22900              | 1.78    | 49 | -  | 61 | 66 | -  | 78 |
| 40                           | 8235DB         | 165       | 8.79                               | 19600                             | 2000  | 151000                           | 15400  | *       | 10.6                               | 19600                             | 2000  | 143000                           | 14500              | *       | 54 | -  | 63 | 71 | -  | 80 |
|                              | 8245DB         |           |                                    |                                   |       | 167000                           | 17000  | 0.89    |                                    |                                   |       | 159000                           | 16200              | 1.08    | 54 | -  | 63 | 71 | -  | 80 |
|                              | 8255DA         |           |                                    | 206000                            | 21000 | 1.06                             | 195000 | 19900   |                                    | 1.06                              | 54    | -                                | 63                 | 71      | -  | 80 |    |    |    |    |
|                              | 8255DB         |           |                                    | 29300                             | 2990  | 206000                           | 21000  | 1.06    |                                    | 24300                             | 2480  | 195000                           | 19900              | 1.28    | 54 | -  | 63 | 71 | -  | 80 |
|                              | 8265DA         |           |                                    | 252000                            | 25700 | 1.49                             | 239000 | 24300   |                                    | 1.69                              | 54    | -                                | 63                 | 71      | -  | 80 |    |    |    |    |
| 40                           | 8255DA         | 187       | 7.75                               | 26700                             | 2720  | 218000                           | 22200  | *       | 9.4                                | 221400                            | 2250  | 207000                           | 21100              | *       | 54 | -  | 63 | 71 | -  | 80 |
|                              | 8255DB         |           |                                    | 33300                             | 3390  | 217000                           | 22100  | 0.83    |                                    | 27600                             | 28100 | 206000                           | 21000              | 1.00    | 54 | -  | 63 | 71 | -  | 80 |
|                              | 8265DA         |           |                                    | 267000                            | 27200 | 0.94                             | 253000 | 25800   |                                    | 1.13                              | 54    | -                                | 63                 | 71      | -  | 80 |    |    |    |    |
| 40                           | 8245DB         | 195       | 7.44                               | 26200                             | 2680  | 177000                           | 18000  | *       | 8.97                               | 26200                             | 2680  | 167000                           | 17000              | *       | 54 | -  | 63 | 71 | -  | 80 |
|                              | 8255DA         |           |                                    | 216000                            | 22000 | 0.90                             | 205000 | 20900   |                                    | 1.06                              | 54    | -                                | 63                 | 71      | -  | 80 |    |    |    |    |
|                              | 8255DB         |           |                                    | 34700                             | 3530  | 216000                           | 22000  | 0.90    |                                    | 28700                             | 2930  | 205000                           | 20900              | 1.08    | 54 | -  | 63 | 71 | -  | 80 |
|                              | 8265DA         |           |                                    | 265000                            | 27000 | 1.26                             | 251000 | 25600   |                                    | 1.52                              | 54    | -                                | 63                 | 71      | -  | 80 |    |    |    |    |
| 40                           | 8245DB         | 231       | 6.28                               | 25800                             | 2630  | 189000                           | 19300  | *       | 7.58                               | 25800                             | 2630  | 179000                           | 18200              | *       | 54 | -  | 63 | 71 | -  | 80 |
|                              | 8255DB         |           |                                    | 31000                             | 3160  | 231000                           | 23500  | *       |                                    | 31000                             | 3160  | 218000                           | 22200              | *       | 54 | -  | 63 | 71 | -  | 80 |
|                              | 8265DA         |           |                                    | 41100                             | 4190  | 276000                           | 28100  | 1.12    |                                    | 34000                             | 3470  | 267000                           | 27200              | 1.35    | 54 | -  | 63 | 71 | -  | 80 |
| 40                           | 8255DA         | 273       | 5.31                               | 31000                             | 3160  | 243000                           | 24700  | *       | 6.41                               | 31000                             | 3160  | 229000                           | 23400              | *       | 54 | -  | 63 | 71 | -  | 80 |
|                              | 8265DA         |           |                                    | 48500                             | 4950  | 276000                           | 28100  | 0.95    |                                    | 40200                             | 4100  | 276000                           | 28100              | 1.14    | 54 | -  | 63 | 71 | -  | 80 |
| 40                           | 8265DA         | 319       | 4.55                               | 56700                             | 5780  | 276000                           | 28100  | 0.81    | 5.49                               | 47000                             | 4790  | 276000                           | 28100              | 0.98    | 54 | -  | 63 | 71 | -  | 80 |
|                              | 8275DA         |           |                                    | 248000                            | 25300 | 1.20                             | 248000 | 25300   |                                    | 1.45                              | 54    | -                                | 63                 | 71      | -  | 80 |    |    |    |    |
| 40                           | 8265DA         | 377       | 3.85                               | 46000                             | 4690  | 276000                           | 28100  | *       | 4.64                               | 46000                             | 4690  | 276000                           | 28100              | *       | 54 | -  | 63 | 71 | -  | 80 |
|                              | 8275DA         |           |                                    | 67000                             | 6830  | 248000                           | 25300  | 1.02    |                                    | 55500                             | 5660  | 248000                           | 25300              | 1.23    | 54 | -  | 63 | 71 | -  | 80 |
| 40                           | 8275DA         | 473       | 3.07                               | 84100                             | 8570  | 248000                           | 25300  | 0.81    | 3.70                               | 69700                             | 7100  | 248000                           | 25300              | 0.98    | 54 | -  | 63 | 71 | -  | 80 |
| 40                           | 8275DA         | 493       | 2.94                               | 68200                             | 6950  | 248000                           | 25300  | *       | 3.55                               | 68200                             | 6950  | 248000                           | 25300              | *       | 54 | -  | 63 | 71 | -  | 80 |
| 40                           | 8275DA         | 559       | 2.59                               | 68200                             | 6950  | 248000                           | 25300  | *       | 3.13                               | 68200                             | 6950  | 248000                           | 25300              | *       | 54 | -  | 63 | 71 | -  | 80 |

※ Frame sizes in Blue are the recommended models for 24 hours/day with uniform load. 均勻負載下，減速機連續使用 24 小時，建議使用標註藍色型號或更大型號。



# Service Factor 安全係數表

|                |                |      |     |      |      |
|----------------|----------------|------|-----|------|------|
| 37 kW<br>50 HP | Hz             | 50Hz |     | 60Hz |      |
|                | Pole           | 4    | 6   | 4    | 6    |
|                | n <sub>1</sub> | 1450 | 980 | 1750 | 1165 |

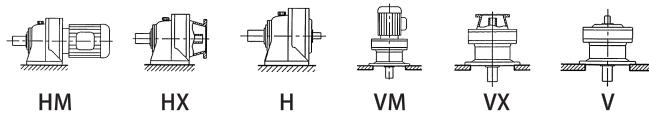


| Model 型式                      |                 |            | 50Hz                               |                                   |       |                                  |       |         | 60Hz                               |                                   |       |                                  |       |         | Dimension Page 頁數① |    |    |    |    |    |       |      |        |       |      |    |   |    |    |   |    |
|-------------------------------|-----------------|------------|------------------------------------|-----------------------------------|-------|----------------------------------|-------|---------|------------------------------------|-----------------------------------|-------|----------------------------------|-------|---------|--------------------|----|----|----|----|----|-------|------|--------|-------|------|----|---|----|----|---|----|
| Input Capacity Symbol 馬力 編號 ② | Frame Size 型號 ③ | Ratio 速比 ④ | Output Speed 轉速 n <sub>2</sub> rpm | Output Torque 扭矩 T <sub>out</sub> |       | Allowable Radial Load 應許徑向負載 Pro |       | SF 安全係數 | Output Speed 轉速 n <sub>2</sub> rpm | Output Torque 扭矩 T <sub>out</sub> |       | Allowable Radial Load 應許徑向負載 Pro |       | SF 安全係數 | HM                 | HX | H  | VM | VX | V  |       |      |        |       |      |    |   |    |    |   |    |
|                               |                 |            |                                    | N.m                               | Kgf.m | N                                | kgf   |         |                                    | N.m                               | Kgf.m | N                                | kgf   |         |                    |    |    |    |    |    |       |      |        |       |      |    |   |    |    |   |    |
|                               |                 |            |                                    |                                   |       |                                  |       |         |                                    |                                   |       |                                  |       |         |                    |    |    |    |    |    |       |      |        |       |      |    |   |    |    |   |    |
| 50                            | 8195            | 11         | 132                                | 2550                              | 260   | 27000                            | 2750  | 1.30    | 159                                | 2110                              | 215   | 25400                            | 2590  | 1.30    | 49                 | -  | 61 | 66 | -  | 78 |       |      |        |       |      |    |   |    |    |   |    |
|                               | 8205            |            |                                    |                                   |       | 52000                            | 5310  | 1.61    |                                    |                                   |       | 49300                            | 5020  | 1.61    |                    |    |    |    |    |    | 49    | -    | 61     | 66    | -    | 78 |   |    |    |   |    |
|                               | 8215            |            |                                    |                                   |       | 52700                            | 5380  | 2.04    |                                    |                                   |       | 49900                            | 5090  | 2.04    |                    |    |    |    |    |    | 49    | -    | 61     | 66    | -    | 78 |   |    |    |   |    |
|                               | 8225            |            |                                    |                                   |       | 56000                            | 5700  | 2.69    |                                    |                                   |       | 53000                            | 5400  | 2.69    |                    |    |    |    |    |    | 49    | -    | 61     | 66    | -    | 78 |   |    |    |   |    |
|                               | 8225            |            |                                    |                                   |       | 56000                            | 5700  | 2.69    |                                    |                                   |       | 53000                            | 5400  | 2.69    |                    |    |    |    |    |    | 49    | -    | 61     | 66    | -    | 78 |   |    |    |   |    |
| 50                            | 8195            | 13         | 112                                | 3010                              | 307   | 28000                            | 2850  | 1.30    | 135                                | 2490                              | 254   | 26400                            | 2690  | 1.30    | 49                 | -  | 61 | 66 | -  | 78 |       |      |        |       |      |    |   |    |    |   |    |
|                               | 8195            |            |                                    |                                   |       | 29300                            | 2990  | 1.30    |                                    |                                   |       | 27700                            | 2820  | 1.30    |                    |    |    |    |    |    | 49    | -    | 61     | 66    | -    | 78 |   |    |    |   |    |
|                               | 8205            |            |                                    |                                   |       | 55900                            | 5700  | 1.61    |                                    |                                   |       | 52900                            | 5390  | 1.61    |                    |    |    |    |    |    | 49    | -    | 61     | 66    | -    | 78 |   |    |    |   |    |
| 50                            | 8215            | 15         | 96.7                               | 3470                              | 354   | 56600                            | 5770  | 2.04    | 117                                | 2880                              | 293   | 53600                            | 5470  | 2.04    | 49                 | -  | 61 | 66 | -  | 78 |       |      |        |       |      |    |   |    |    |   |    |
|                               | 8225            |            |                                    |                                   |       | 60400                            | 6160  | 2.69    |                                    |                                   |       | 57200                            | 5830  | 2.69    |                    |    |    |    |    |    | 49    | -    | 61     | 66    | -    | 78 |   |    |    |   |    |
|                               | 8225            |            |                                    |                                   |       | 60400                            | 6160  | 2.69    |                                    |                                   |       | 57200                            | 5830  | 2.69    |                    |    |    |    |    |    | 49    | -    | 61     | 66    | -    | 78 |   |    |    |   |    |
| 50                            | 8195            | 17         | 85.3                               | 3940                              | 401   | 30900                            | 3150  | 1.30    | 103                                | 3260                              | 332   | 29100                            | 2970  | 1.30    | 49                 | -  | 61 | 66 | -  | 78 |       |      |        |       |      |    |   |    |    |   |    |
|                               | 8195            |            |                                    |                                   |       | 33200                            | 3380  | 1.30    |                                    |                                   |       | 31300                            | 3190  | 1.30    |                    |    |    |    |    |    | 49    | -    | 61     | 66    | -    | 78 |   |    |    |   |    |
|                               | 8205            |            |                                    |                                   |       | 62500                            | 6370  | 1.60    |                                    |                                   |       | 59200                            | 6030  | 1.60    |                    |    |    |    |    |    | 49    | -    | 61     | 66    | -    | 78 |   |    |    |   |    |
| 50                            | 8215            | 21         | 69.0                               | 4860                              | 496   | 63800                            | 6510  | 2.04    | 83.3                               | 4030                              | 411   | 60500                            | 6170  | 2.04    | 49                 | -  | 61 | 66 | -  | 78 |       |      |        |       |      |    |   |    |    |   |    |
|                               | 8225            |            |                                    |                                   |       | 67500                            | 6880  | 2.55    |                                    |                                   |       | 63900                            | 6510  | 2.55    |                    |    |    |    |    |    | 49    | -    | 61     | 66    | -    | 78 |   |    |    |   |    |
|                               | 8225            |            |                                    |                                   |       | 67500                            | 6880  | 2.55    |                                    |                                   |       | 63900                            | 6510  | 2.55    |                    |    |    |    |    |    | 49    | -    | 61     | 66    | -    | 78 |   |    |    |   |    |
| 506                           | 8195            | 15         | 65.3                               | 5140                              | 524   | 32900                            | 3360  | 1.30    | 77.7                               | 4320                              | 441   | 31300                            | 3190  | 1.30    | 49                 | -  | -  | -  | -  | -  |       |      |        |       |      |    |   |    |    |   |    |
|                               | 8205            |            |                                    |                                   |       | 62600                            | 6380  | 1.61    |                                    |                                   |       | 59500                            | 6070  | 1.61    |                    |    |    |    |    |    | 49    | -    | -      | -     | -    | -  |   |    |    |   |    |
|                               | 8215            |            |                                    |                                   |       | 63400                            | 6460  | 2.04    |                                    |                                   |       | 60300                            | 6150  | 2.04    |                    |    |    |    |    |    | 49    | -    | -      | -     | -    | -  |   |    |    |   |    |
| 50                            | 8195            | 25         | 58.0                               | 5790                              | 590   | 34600                            | 3530  | 1.09    | 70.0                               | 4800                              | 489   | 32700                            | 3330  | 1.09    | 49                 | -  | 61 | 66 | -  | 78 |       |      |        |       |      |    |   |    |    |   |    |
|                               | 8195            |            |                                    |                                   |       | 36200                            | 3690  | 1.02    |                                    |                                   |       | 34200                            | 3490  | 1.02    |                    |    |    |    |    |    | 49    | -    | 61     | 66    | -    | 78 |   |    |    |   |    |
|                               | 8205            |            |                                    |                                   |       | 67900                            | 6920  | 1.24    |                                    |                                   |       | 64400                            | 6560  | 1.24    |                    |    |    |    |    |    | 49    | -    | 61     | 66    | -    | 78 |   |    |    |   |    |
| 50                            | 8215            | 29         | 50.0                               | 6710                              | 684   | 69300                            | 7060  | 1.58    | 60.3                               | 5560                              | 567   | 65700                            | 6700  | 1.58    | 49                 | -  | 61 | 66 | -  | 78 |       |      |        |       |      |    |   |    |    |   |    |
|                               | 8225            |            |                                    |                                   |       | 73400                            | 7490  | 2.04    |                                    |                                   |       | 69600                            | 7090  | 2.04    |                    |    |    |    |    |    | 49    | -    | 61     | 66    | -    | 78 |   |    |    |   |    |
|                               | 8225            |            |                                    |                                   |       | 73400                            | 7490  | 2.04    |                                    |                                   |       | 69600                            | 7090  | 2.04    |                    |    |    |    |    |    | 49    | -    | 61     | 66    | -    | 78 |   |    |    |   |    |
| 506                           | 8195            | 21         | 46.7                               | 7190                              | 733   | 71400                            | 7280  | 1.74    | 55.5                               | 6050                              | 617   | 68000                            | 6930  | 2.04    | 49                 | -  | 61 | 67 | -  | 78 |       |      |        |       |      |    |   |    |    |   |    |
|                               | 8215            |            |                                    |                                   |       | 75500                            | 7690  | 2.06    |                                    |                                   |       | 71800                            | 7320  | 2.45    |                    |    |    |    |    |    | 49    | -    | 61     | 67    | -    | 78 |   |    |    |   |    |
|                               | 8225            |            |                                    |                                   |       | 75500                            | 7690  | 2.06    |                                    |                                   |       | 71800                            | 7320  | 2.45    |                    |    |    |    |    |    | 49    | -    | 61     | 67    | -    | 78 |   |    |    |   |    |
| 50                            | 8195            | 35         | 41.4                               | 8100                              | 826   | 38000                            | 3870  | 0.81    | 50.0                               | 6710                              | 684   | 35900                            | 3660  | 0.81    | 49                 | -  | 61 | 66 | -  | 78 |       |      |        |       |      |    |   |    |    |   |    |
|                               | 8215            |            |                                    |                                   |       | 77300                            | 7880  | 1.27    |                                    |                                   |       | 73700                            | 7510  | 1.51    |                    |    |    |    |    |    | 49    | -    | 61     | 67    | -    | 78 |   |    |    |   |    |
|                               | 8225            |            |                                    |                                   |       | 82000                            | 8360  | 1.51    |                                    |                                   |       | 78100                            | 7970  | 1.80    |                    |    |    |    |    |    | 49    | -    | 61     | 67    | -    | 78 |   |    |    |   |    |
| 506                           | 8225            | 29         | 33.8                               | 9930                              | 1010  | 103000                           | 10500 | 1.90    | 40.2                               | 8360                              | 852   | 97900                            | 9980  | 2.04    | 49                 | -  | 61 | 67 | -  | 78 |       |      |        |       |      |    |   |    |    |   |    |
|                               | 8235            |            |                                    |                                   |       | 77700                            | 7920  | 1.22    |                                    |                                   |       | 73800                            | 7520  | 1.22    |                    |    |    |    |    |    | 49    | -    | 61     | 66    | -    | 78 |   |    |    |   |    |
|                               | 8235            |            |                                    |                                   |       | 82500                            | 8410  | 1.53    |                                    |                                   |       | 78300                            | 7980  | 1.53    |                    |    |    |    |    |    | 49    | -    | 61     | 66    | -    | 78 |   |    |    |   |    |
| 50                            | 8215            | 43         | 33.7                               | 9950                              | 1010  | 89200                            | 9090  | 1.06    | 40.7                               | 8250                              | 841   | 84700                            | 8630  | 1.22    | 49                 | -  | 61 | 66 | -  | 78 |       |      |        |       |      |    |   |    |    |   |    |
|                               | 8225            |            |                                    |                                   |       | 92000                            | 9380  | 1.09    |                                    |                                   |       | 87700                            | 8940  | 1.29    |                    |    |    |    |    |    | 49    | -    | 61     | 67    | -    | 78 |   |    |    |   |    |
|                               | 8225            |            |                                    |                                   |       | 92000                            | 9380  | 1.09    |                                    |                                   |       | 87700                            | 8940  | 1.29    |                    |    |    |    |    |    | 49    | -    | 61     | 67    | -    | 78 |   |    |    |   |    |
| 506                           | 8235            | 43         | 22.8                               | 14700                             | 1500  | 114000                           | 11700 | 1.29    | 27.1                               | 12400                             | 1260  | 109000                           | 11100 | 1.47    | 49                 | -  | 61 | 67 | -  | 78 |       |      |        |       |      |    |   |    |    |   |    |
|                               | 8245            |            |                                    |                                   |       | 129000                           | 13100 | 1.75    |                                    |                                   |       | 122000                           | 12500 | 2.04    |                    |    |    |    |    |    | 49    | -    | 61     | 67    | -    | 78 |   |    |    |   |    |
|                               | 8245            |            |                                    |                                   |       | 140000                           | 14200 | 1.28    |                                    |                                   |       | 133000                           | 13500 | 1.52    |                    |    |    |    |    |    | 49    | -    | 61     | 67    | -    | 78 |   |    |    |   |    |
| 506                           | 8255            | 59         | 16.6                               | 20200                             | 2060  | 172000                           | 17600 | 1.54    | 19.7                               | 17000                             | 1730  | 164000                           | 16700 | 1.75    | 49                 | -  | 61 | 67 | -  | 78 |       |      |        |       |      |    |   |    |    |   |    |
|                               | 8265            |            |                                    |                                   |       | 211000                           | 21500 | 2.28    |                                    |                                   |       | 201000                           | 20500 | 2.55    |                    |    |    |    |    |    | 49    | -    | 61     | 67    | -    | 78 |   |    |    |   |    |
|                               | 8265            |            |                                    |                                   |       | 211000                           | 21500 | 2.28    |                                    |                                   |       | 201000                           | 20500 | 2.55    |                    |    |    |    |    |    | 49    | -    | 61     | 67    | -    | 78 |   |    |    |   |    |
| 50                            | 8245DB          | 121        | 12.0                               | 20500                             | 2090  | 156000                           | 15900 | *       | 14.5                               | 20500                             | 2090  | 148000                           | 15000 | *       | 54                 | -  | 63 | 71 | -  | 78 |       |      |        |       |      |    |   |    |    |   |    |
|                               | 8255DB          |            |                                    |                                   |       | 191000                           | 19500 | 1.04    |                                    |                                   |       | 181000                           | 18500 | 1.25    |                    |    |    |    |    |    | 54    | -    | 63     | 71    | -    | 78 |   |    |    |   |    |
|                               | 8265DA          |            |                                    |                                   |       | 235000                           | 23900 | 1.18    |                                    |                                   |       | 222000                           | 22700 | 1.37    |                    |    |    |    |    |    | 54    | -    | 63     | 71    | -    | 78 |   |    |    |   |    |
| 506                           | 8255            | 87         | 11.3                               | 29800                             | 3040  | 192000                           | 19600 | 1.04    | 13.4                               | 25100                             | 2560  | 183000                           | 18700 | 1.16    | 49                 | -  | 61 | 67 | -  | 78 |       |      |        |       |      |    |   |    |    |   |    |
|                               | 8265            |            |                                    |                                   |       | 236000                           | 24000 | 1.44    |                                    |                                   |       | 224000                           | 22900 | 1.44    |                    |    |    |    |    |    | 49    | -    | 61     | 67    | -    | 78 |   |    |    |   |    |
|                               | 8265            |            |                                    |                                   |       | 236000                           | 24000 | 1.44    |                                    |                                   |       | 224000                           | 22900 | 1.44    |                    |    |    |    |    |    | 49    | -    | 61     | 67    | -    | 78 |   |    |    |   |    |
| 50                            | 8255DB          | 165        | 8.79                               | 36200                             | 3690  | 205000                           | 20900 | 0.86    | 10.6                               | 30000                             | 3060  | 194000                           | 19800 | 1.04    | 54                 | -  | 63 | 71 | -  | 78 |       |      |        |       |      |    |   |    |    |   |    |
|                               | 8265DA          |            |                                    |                                   |       | 251000                           | 25600 | 1.21    |                                    |                                   |       | 238000                           | 24300 | 1.37    |                    |    |    |    |    |    | 54    | -    | 63     | 71    | -    | 78 |   |    |    |   |    |
|                               | 8265DB          |            |                                    |                                   |       | 216000                           | 22100 | *       |                                    |                                   |       | 204000                           | 20800 | *       |                    |    |    |    |    |    | 54    | -    | 63     | 71    | -    | 78 |   |    |    |   |    |
| 50                            | 8265DA          | 195        | 7.44                               | 31200                             | 3180  | 263000                           | 26800 | 1.02    | 8.97                               | 35400                             | 3610  | 250000                           | 25400 | 1.23    | 54                 | -  | 63 | 71 | -  | 78 |       |      |        |       |      |    |   |    |    |   |    |
|                               | 8265DA          |            |                                    |                                   |       | 42800                            | 4360  | 276000  |                                    |                                   |       | 28100                            | 0.91  | 7.58    |                    |    |    |    |    |    | 42000 | 4280 | 266000 | 27100 | 1.10 | 54 | - | 63 | 71 | - | 78 |
|                               | 8265DA          |            |                                    |                                   |       | 42800                            | 4360  | 263000  |                                    |                                   |       | 26800                            | 1.02  | 8.97    |                    |    |    |    |    |    | 35400 | 3610 | 250000 | 25400 | 1.23 | 54 | - | 63 | 71 | - | 78 |
| 50                            | 8265DA          | 231        | 6.28                               | 50700                             | 5160  | 276000                           | 28100 | 0.91    | 7.58                               | 42000                             | 4280  | 266000                           | 27100 | 1.10    | 54                 | -  | 63 | 71 | -  | 78 |       |      |        |       |      |    |   |    |    |   |    |
|                               | 8265DA          |            |                                    |                                   |       | 46000                            | 4690  | 276000  |                                    |                                   |       | 28100                            | *     | 6.41    |                    |    |    |    |    |    | 46000 | 4690 | 276000 | 28100 | *    | 54 | - | 63 | 71 | - | 78 |
|                               | 8265DA          |            |                                    |                                   |       | 46000                            | 4690  | 276000  |                                    |                                   |       | 28100                            | *     | 6.41    |                    |    |    |    |    |    | 46000 | 4690 | 276000 | 28100 | *    | 54 | - | 63 | 71 | - | 78 |
| 50                            | 8275DA          | 319        | 4.55                               | 70000                             | 7130  | 248000                           | 25300 | 0.97    | 5.49                               | 58000                             | 5910  | 248000                           | 25300 | 1.18    | 54                 | -  | 63 | 71 | -  | 78 |       |      |        |       |      |    |   |    |    |   |    |
|                               | 8275DA          |            |                                    |                                   |       | 68200                            | 6950  | 248000  |                                    |                                   |       | 25300                            | *     | 4.64    |                    |    |    |    |    |    | 68200 | 6950 | 248000 | 25300 | *    | 54 | - | 63 | 71 | - | 78 |
|                               | 8275DA          |            |                                    |                                   |       | 68200                            | 6950  | 248000  |                                    |                                   |       | 25300                            | *     | 4.64    |                    |    |    |    |    |    | 68200 | 6950 | 248000 | 25300 | *    | 54 | - | 63 | 71 | - | 78 |
| 50                            | 8275DA          | 377        | 3.85                               | 82700                             | 8430  | 248000                           | 25300 | 0.82    | 4.64                               | 68500                             | 6980  | 248000                           | 25300 | 1.00    | 54                 | -  | 63 | 71 | -  | 78 |       |      |        |       |      |    |   |    |    |   |    |
|                               | 8275DA          |            |                                    |                                   |       | 248000                           | 25300 | 0.82    |                                    |                                   |       | 68500                            | 6980  | 248000  |                    |    |    |    |    |    | 25300 | 1.00 | 54     | -     | 63   | 71 | - | 78 |    |   |    |
|                               | 8275DA          |            |                                    |                                   |       | 248000                           | 25300 | 0.82    |                                    |                                   |       | 68500                            | 6980  | 248000  |                    |    |    |    |    |    | 25300 | 1.00 | 54     | -     | 63   | 71 | - | 78 |    |   |    |

※ Frame sizes in Blue are the recommended models for 24 hours/day with uniform load. 均勻負載下，減速機連續使用 24 小時，建議使用標註藍色型號或更大型號。

# Service Factor 安全係數表

|                |                |      |     |      |      |
|----------------|----------------|------|-----|------|------|
| 45 kW<br>60 HP | Hz             | 50Hz |     | 60Hz |      |
|                | Pole           | 4    | 6   | 4    | 6    |
|                | n <sub>1</sub> | 1450 | 980 | 1750 | 1165 |

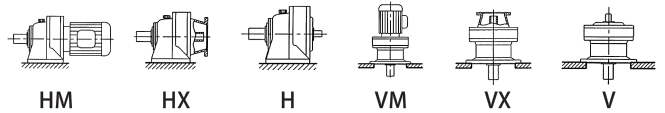


| Model 型式                     |                 | 50Hz       |                                    |   |       |  |       | 60Hz    |                                    |   |       |  |       | Dimension Page 頁數① |    |    |    |    |    |    |
|------------------------------|-----------------|------------|------------------------------------|---|-------|--|-------|---------|------------------------------------|---|-------|--|-------|--------------------|----|----|----|----|----|----|
| Input Capacity Symbol 馬力編號 ② | Frame Size 型號 ③ | Ratio 速比 ④ | Output Speed 轉速 n <sub>2</sub> rpm | Output Torque 扭矩 T <sub>out</sub> N.m / Kgf.m |       | Allowable Radial Load 應許徑向負載 Pro N / kgf |       | SF 安全係數 | Output Speed 轉速 n <sub>2</sub> rpm | Output Torque 扭矩 T <sub>out</sub> N.m / Kgf.m |       | Allowable Radial Load 應許徑向負載 Pro N / kgf |       | SF 安全係數            | HM | HX | H  | VM | VX | V  |
|                              |                 |            |                                    | N.m   | Kgf.m | N  | kgf   |         |                                    | N.m   | Kgf.m | N  | kgf   |                    |    |    |    |    |    |    |
| 60                           | 8205            | 11         | 132                                | 3100  | 316   | 51900                                    | 5290  | 1.33    | 159                                | 2570  | 262   | 49200                                    | 5010  | 1.33               | 50 | -  | 61 | 67 | -  | 78 |
|                              | 8215            |            |                                    |   |       | 52600                                    | 5360  | 1.67    |                                    |   |       | 49800                                    | 5080  | 1.67               | 50 | -  | 61 | 67 | -  | 78 |
|                              | 8225            |            |                                    |   |       | 55800                                    | 5690  | 2.21    |                                    |   |       | 52800                                    | 5390  | 2.21               | 50 | -  | 61 | 67 | -  | 78 |
| 60                           | 8205            | 15         | 96.7                               | 4220  | 431   | 55700                                    | 5680  | 1.33    | 117                                | 3500  | 757   | 52800                                    | 5380  | 1.33               | 50 | -  | 61 | 67 | -  | 78 |
|                              | 8215            |            |                                    |   |       | 56500                                    | 5750  | 1.67    |                                    |   |       | 53500                                    | 5450  | 1.67               | 50 | -  | 61 | 67 | -  | 78 |
|                              | 8225            |            |                                    |   |       | 60200                                    | 6140  | 2.21    |                                    |   |       | 57000                                    | 5820  | 2.21               | 50 | -  | 61 | 67 | -  | 78 |
| 60                           | 8205            | 21         | 69.0                               | 5910  | 603   | 62200                                    | 6340  | 1.32    | 83.3                               | 4900  | 499   | 59000                                    | 6010  | 1.32               | 50 | -  | 61 | 67 | -  | 78 |
|                              | 8215            |            |                                    |   |       | 63600                                    | 6480  | 1.67    |                                    |   |       | 60300                                    | 6140  | 1.67               | 50 | -  | 61 | 67 | -  | 78 |
|                              | 8225            |            |                                    |   |       | 67200                                    | 6850  | 2.09    |                                    |   |       | 63700                                    | 6490  | 2.09               | 50 | -  | 61 | 67 | -  | 78 |
| 606                          | 8205            | 15         | 65.3                               | 6250  | 637   | 62300                                    | 6350  | 1.33    | 77.7                               | 5260  | 536   | 59300                                    | 6050  | 1.33               | 50 | -  | 61 | 67 | -  | 78 |
|                              | 8215            |            |                                    |   |       | 63100                                    | 6430  | 1.67    |                                    |   |       | 60100                                    | 6130  | 1.67               | 50 | -  | 61 | 67 | -  | 78 |
|                              | 8225            |            |                                    |   |       | 67400                                    | 6870  | 2.21    |                                    |   |       | 64200                                    | 6540  | 2.21               | 50 | -  | 61 | 67 | -  | 78 |
| 60                           | 8205            | 29         | 50.0                               | 8170  | 832   | 67600                                    | 6890  | 1.02    | 60.3                               | 6770  | 690   | 64100                                    | 6530  | 1.02               | 50 | -  | 61 | 67 | -  | 78 |
|                              | 8215            |            |                                    |   |       | 68900                                    | 7030  | 1.30    |                                    |   |       | 65400                                    | 6660  | 1.30               | 50 | -  | 61 | 67 | -  | 78 |
|                              | 8225            |            |                                    |   |       | 73100                                    | 7450  | 1.67    |                                    |   |       | 69300                                    | 7070  | 1.67               | 50 | -  | 61 | 67 | -  | 78 |
| 606                          | 8205            | 21         | 46.7                               | 8750  | 892   | 69500                                    | 7080  | 1.06    | 55.5                               | 7360  | 750   | 66200                                    | 6750  | 1.22               | 50 | -  | 61 | 67 | -  | 78 |
|                              | 8215            |            |                                    |   |       | 71000                                    | 7240  | 1.43    |                                    |   |       | 67700                                    | 6900  | 1.67               | 50 | -  | 61 | 67 | -  | 78 |
|                              | 8225            |            |                                    |   |       | 75100                                    | 7660  | 1.69    |                                    |   |       | 71500                                    | 7290  | 2.01               | 50 | -  | 61 | 67 | -  | 78 |
|                              | 8235            |            |                                    |   |       | 94100                                    | 9590  | 2.16    |                                    |   |       | 89500                                    | 9130  | 2.17               | 50 | -  | 61 | 67 | -  | 78 |
| 606                          | 8215            | 29         | 33.8                               | 12100   | 1230  | 76800                                    | 7830  | 1.05    | 40.2                               | 10200   | 1040  | 73200                                    | 7460  | 1.24               | 50 | -  | 61 | 67 | -  | 78 |
|                              | 8225            |            |                                    |   |       | 81500                                    | 8310  | 1.24    |                                    |   |       | 77700                                    | 7920  | 1.48               | 50 | -  | 61 | 67 | -  | 78 |
|                              | 8235            |            |                                    |   |       | 102000                                   | 10400 | 1.56    |                                    |   |       | 97500                                    | 9940  | 1.67               | 50 | -  | 61 | 67 | -  | 78 |
| 60                           | 8245            | 43         | 33.7                               | 12100   | 1230  | 114000                                   | 11700 | 2.09    | 40.7                               | 10000   | 1020  | 109000                                   | 11100 | 2.09               | 50 | -  | 61 | 67 | -  | 78 |
|                              | 8215            |            |                                    |   |       | 77200                                    | 7870  | 1.00    |                                    |   |       | 73300                                    | 7470  | 1.00               | 50 | -  | 61 | 67 | -  | 78 |
|                              | 8225            |            |                                    |   |       | 82000                                    | 8360  | 1.26    |                                    |   |       | 77800                                    | 7940  | 1.26               | 50 | -  | 61 | 67 | -  | 78 |
| 606                          | 8235            | 43         | 22.8                               | 17900   | 1830  | 114000                                   | 11600 | 1.06    | 27.1                               | 15100   | 1540  | 108000                                   | 11100 | 1.21               | 50 | -  | 61 | 67 | -  | 78 |
|                              | 8245            |            |                                    |   |       | 128000                                   | 13100 | 1.44    |                                    |   |       | 122000                                   | 12400 | 1.67               | 50 | -  | 61 | 67 | -  | 78 |
|                              | 8255            |            |                                    |   |       | 157000                                   | 16000 | 1.73    |                                    |   |       | 150000                                   | 15300 | 1.98               | 50 | -  | 61 | 67 | -  | 78 |
| 606                          | 8265            | 59         | 16.6                               | 24600   | 25100 | 193000                                   | 19700 | 2.51    | 19.7                               | 20700   | 2110  | 184000                                   | 18700 | 2.51               | 50 | -  | 61 | 67 | -  | 78 |
|                              | 8245            |            |                                    |   |       | 139000                                   | 14100 | 1.05    |                                    |   |       | 132000                                   | 13500 | 1.25               | 50 | -  | 61 | 67 | -  | 78 |
|                              | 8265            |            |                                    |   |       | 210000                                   | 21400 | 1.87    |                                    |   |       | 200000                                   | 20400 | 2.09               | 50 | -  | 61 | 67 | -  | 78 |
| 60                           | 8265DA          | 121        | 12.0                               | 32300   | 3290  | 234000                                   | 23800 | 0.97    | 14.5                               | 26700   | 2730  | 222000                                   | 22600 | 1.03               | 54 | -  | 63 | 71 | -  | 80 |
| 60                           | 8265DA          | 87         | 11.3                               | 36200   | 3690  | 235000                                   | 23900 | 1.19    | 13.4                               | 30500   | 3110  | 223000                                   | 22800 | 1.19               | 54 | -  | 63 | 71 | -  | 80 |
| 60                           | 8265DA          | 165        | 8.79                               | 44000   | 4490  | 250000                                   | 25500 | 0.98    | 10.6                               | 36500   | 3720  | 237000                                   | 24200 | 1.13               | 54 | -  | 63 | 71 | -  | 80 |
| 60                           | 8265DA          | 195        | 7.44                               | 52000   | 5300  | 262000                                   | 26700 | 0.84    | 8.97                               | 43100   | 4390  | 248000                                   | 25300 | 1.01               | 54 | -  | 63 | 71 | -  | 80 |
| 60                           | 8265DA          | 231        | 6.28                               | 46000   | 4690  | 276000                                   | 28100 | *       | 7.58                               | 46000   | 4690  | 265000                                   | 27000 | *                  | 54 | -  | 63 | 71 | -  | 80 |
| 60                           | 8275DA          | 319        | 4.55                               | 85100   | 8670  | 248000                                   | 25300 | 0.80    | 5.49                               | 70500   | 7190  | 248000                                   | 25300 | 0.97               | 54 | -  | 63 | 71 | -  | 80 |

※ Frame sizes in Blue are the recommended models for 24 hours/day with uniform load. 均勻負載下，減速機連續使用 24 小時，建議使用標註藍色型號或更大型號。

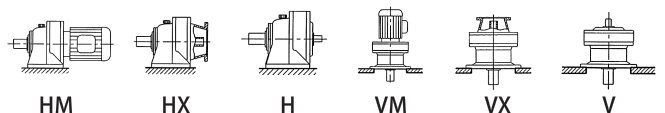
# Service Factor 安全係數表

|                |                |      |     |      |      |
|----------------|----------------|------|-----|------|------|
| 55 kW<br>75 HP | Hz             | 50Hz |     | 60Hz |      |
|                | Pole           | 4    | 6   | 4    | 6    |
|                | n <sub>1</sub> | 1450 | 980 | 1750 | 1165 |



| Model 型式                     |                 |            | 50Hz                               |                                   |       |                                  |       | 60Hz    |                                    |                                   |       |                                  | Dimension Page 頁數① |         |    |    |    |    |    |    |
|------------------------------|-----------------|------------|------------------------------------|-----------------------------------|-------|----------------------------------|-------|---------|------------------------------------|-----------------------------------|-------|----------------------------------|--------------------|---------|----|----|----|----|----|----|
| Input Capacity Symbol 馬力編號 ② | Frame Size 型號 ③ | Ratio 速比 ④ | Output Speed 轉速 n <sub>2</sub> rpm | Output Torque 扭矩 T <sub>out</sub> |       | Allowable Radial Load 應許徑向負載 Pro |       | SF 安全係數 | Output Speed 轉速 n <sub>2</sub> rpm | Output Torque 扭矩 T <sub>out</sub> |       | Allowable Radial Load 應許徑向負載 Pro |                    | SF 安全係數 | HM | HX | H  | VM | VX | V  |
|                              |                 |            |                                    | N.m                               | Kgf.m | N                                | kgf   |         |                                    | N.m                               | Kgf.m | N                                | kgf                |         |    |    |    |    |    |    |
|                              |                 |            |                                    |                                   |       |                                  |       |         |                                    |                                   |       |                                  |                    |         |    |    |    |    |    |    |
| 75                           | 8215            | 11         | 132                                | 3790                              | 386   | 52400                            | 5340  | 1.37    | 1.59                               | 3140                              | 320   | 49700                            | 5060               | 1.37    | 50 | -  | 61 | 67 | -  | 78 |
|                              | 8225            |            |                                    |                                   |       | 55600                            | 5670  | 1.81    |                                    |                                   |       | 52700                            | 5370               | 1.81    |    |    |    |    |    |    |
| 75                           | 8215            | 15         | 96.7                               | 5160                              | 526   | 56200                            | 5730  | 1.37    | 117                                | 4280                              | 436   | 53300                            | 5430               | 1.37    | 50 | -  | 61 | 67 | -  | 78 |
|                              | 8225            |            |                                    |                                   |       | 60000                            | 6120  | 1.81    |                                    |                                   |       | 56900                            | 5800               | 1.81    |    |    |    |    |    |    |
| 756                          | 8215            | 11         | 89.1                               | 5600                              | 571   | 58600                            | 5970  | 1.37    | 106                                | 4710                              | 480   | 55800                            | 5690               | 1.37    | 50 | -  | 61 | 67 | -  | 78 |
|                              | 8225            |            |                                    |                                   |       | 62200                            | 6340  | 1.81    |                                    |                                   |       | 59300                            | 6040               | 1.81    |    |    |    |    |    |    |
| 75                           | 8215            | 21         | 69.0                               | 7230                              | 737   | 63300                            | 6450  | 1.37    | 83.3                               | 5990                              | 610   | 60000                            | 6120               | 1.37    | 50 | -  | 61 | 67 | -  | 78 |
|                              | 8225            |            |                                    |                                   |       | 66900                            | 6820  | 1.71    |                                    |                                   |       | 63400                            | 6470               | 1.71    |    |    |    |    |    |    |
| 756                          | 8215            | 15         | 65.3                               | 7640                              | 779   | 62800                            | 6400  | 1.37    | 77.7                               | 6420                              | 655   | 59800                            | 6100               | 1.37    | 50 | -  | 61 | 67 | -  | 78 |
|                              | 8225            |            |                                    |                                   |       | 67100                            | 6840  | 1.81    |                                    |                                   |       | 63900                            | 6510               | 1.81    |    |    |    |    |    |    |
| 75                           | 8215            | 29         | 50.0                               | 9980                              | 1020  | 68500                            | 6980  | 1.06    | 60.3                               | 8270                              | 843   | 65000                            | 6630               | 1.06    | 50 | -  | 61 | 67 | -  | 78 |
|                              | 8225            |            |                                    |                                   |       | 72700                            | 7410  | 1.37    |                                    |                                   |       | 69000                            | 7030               | 1.37    |    |    |    |    |    |    |
|                              | 8215            |            |                                    |                                   |       | 70500                            | 7190  | 1.17    |                                    |                                   |       | 67200                            | 6860               | 1.37    |    |    |    |    |    |    |
| 756                          | 8225            | 21         | 46.7                               | 10700                             | 1090  | 74700                            | 7610  | 1.38    | 55.5                               | 8990                              | 917   | 71200                            | 7250               | 1.65    | 50 | -  | 61 | 67 | -  | 78 |
|                              | 8235            |            |                                    |                                   |       | 93700                            | 9550  | 1.77    |                                    |                                   |       | 89200                            | 9090               | 1.77    |    |    |    |    |    |    |
|                              | 8225            |            |                                    |                                   |       | 80900                            | 8240  | 1.02    |                                    |                                   |       | 77200                            | 7870               | 1.21    |    |    |    |    |    |    |
| 756                          | 8245            | 29         | 33.8                               | 14800                             | 1510  | 114000                           | 11600 | 1.71    | 40.2                               | 12400                             | 1270  | 108000                           | 11100              | 1.71    | 50 | -  | 61 | 67 | -  | 78 |
|                              | 8255            |            |                                    |                                   |       | 141000                           | 14300 | 2.15    |                                    |                                   |       | 134000                           | 13600              | 2.15    |    |    |    |    |    |    |
| 75                           | 8225            | 43         | 33.7                               | 14800                             | 1510  | 81400                            | 8290  | 1.03    | 40.7                               | 12300                             | 1250  | 77300                            | 7880               | 1.03    | 50 | -  | 61 | 67 | -  | 78 |
|                              | 8245            |            |                                    |                                   |       | 127000                           | 13000 | 1.18    |                                    |                                   |       | 121000                           | 12400              | 1.37    |    |    |    |    |    |    |
| 756                          | 8255            | 43         | 22.8                               | 21900                             | 2230  | 157000                           | 16000 | 1.42    | 27.1                               | 18400                             | 1880  | 149000                           | 15200              | 1.62    | 50 | -  | 61 | 67 | -  | 78 |
|                              | 8265            |            |                                    |                                   |       | 192000                           | 19600 | 2.05    |                                    |                                   |       | 183000                           | 18700              | 2.05    |    |    |    |    |    |    |
|                              | 8255            |            |                                    |                                   |       | 170000                           | 17400 | 1.03    |                                    |                                   |       | 162000                           | 16500              | 1.18    |    |    |    |    |    |    |
| 756                          | 8265            | 59         | 16.6                               | 30000                             | 3060  | 209000                           | 21400 | 1.53    | 19.7                               | 25300                             | 2580  | 199000                           | 20300              | 1.71    | 50 | -  | 61 | 67 | -  | 78 |
|                              | 8275            |            |                                    |                                   |       | 248000                           | 25300 | 2.27    |                                    |                                   |       | 248000                           | 25300              | 2.40    |    |    |    |    |    |    |

|                 |                |      |     |      |      |
|-----------------|----------------|------|-----|------|------|
| 75 kW<br>100 HP | Hz             | 50Hz |     | 60Hz |      |
|                 | Pole           | 4    | 6   | 4    | 6    |
|                 | n <sub>1</sub> | 1450 | 980 | 1750 | 1165 |

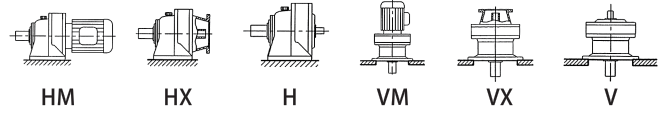


| Model 型式                     |                 |            | 50Hz                               |                                   |       |                                  |       | 60Hz    |                                    |                                   |       |                                  | Dimension Page 頁數① |         |    |    |    |    |    |    |
|------------------------------|-----------------|------------|------------------------------------|-----------------------------------|-------|----------------------------------|-------|---------|------------------------------------|-----------------------------------|-------|----------------------------------|--------------------|---------|----|----|----|----|----|----|
| Input Capacity Symbol 馬力編號 ② | Frame Size 型號 ③ | Ratio 速比 ④ | Output Speed 轉速 n <sub>2</sub> rpm | Output Torque 扭矩 T <sub>out</sub> |       | Allowable Radial Load 應許徑向負載 Pro |       | SF 安全係數 | Output Speed 轉速 n <sub>2</sub> rpm | Output Torque 扭矩 T <sub>out</sub> |       | Allowable Radial Load 應許徑向負載 Pro |                    | SF 安全係數 | HM | HX | H  | VM | VX | V  |
|                              |                 |            |                                    | N.m                               | Kgf.m | N                                | kgf   |         |                                    | N.m                               | Kgf.m | N                                | kgf                |         |    |    |    |    |    |    |
|                              |                 |            |                                    |                                   |       |                                  |       |         |                                    |                                   |       |                                  |                    |         |    |    |    |    |    |    |
| 100                          | 8225            | 11         | 132                                | 5160                              | 526   | 55300                            | 5640  | 1.33    | 159                                | 4280                              | 436   | 52400                            | 5340               | 1.33    | 50 | -  | 61 | 67 | -  | 78 |
|                              | 8225            |            |                                    |                                   |       | 7040                             | 718   | 59600   |                                    |                                   |       | 6070                             | 1.33               | 56500   |    |    |    |    |    |    |
| 1006                         | 8235            | 11         | 89.1                               | 7640                              | 779   | 77600                            | 7910  | 1.51    | 106                                | 6420                              | 655   | 73900                            | 7530               | 1.51    | 50 | -  | 61 | 67 | -  | 78 |
|                              | 8245            |            |                                    |                                   |       | 86500                            | 8810  | 1.76    |                                    |                                   |       | 82300                            | 8390               | 1.76    |    |    |    |    |    |    |
| 100                          | 8225            | 21         | 69.0                               | 9850                              | 1000  | 66300                            | 6760  | 1.26    | 83.3                               | 8170                              | 832   | 62900                            | 6420               | 1.26    | 50 | -  | 61 | 67 | -  | 78 |
|                              | 8235            |            |                                    |                                   |       | 82900                            | 8450  | 1.51    |                                    |                                   |       | 78900                            | 8050               | 1.51    |    |    |    |    |    |    |
| 1006                         | 8245            | 15         | 65.3                               | 10400                             | 1060  | 92800                            | 9460  | 1.76    | 77.7                               | 8760                              | 893   | 88300                            | 9000               | 1.76    | 50 | -  | 61 | 67 | -  | 78 |
|                              | 8225            |            |                                    |                                   |       | 71800                            | 7320  | 1.00    |                                    |                                   |       | 68200                            | 6960               | 1.00    |    |    |    |    |    |    |
| 100                          | 8235            | 29         | 50.0                               | 13600                             | 1390  | 92800                            | 9460  | 1.30    | 60.3                               | 11300                             | 1150  | 88500                            | 9020               | 1.30    | 50 | -  | 61 | 67 | -  | 78 |
|                              | 8245            |            |                                    |                                   |       | 104000                           | 10600 | 1.60    |                                    |                                   |       | 98700                            | 10100              | 1.60    |    |    |    |    |    |    |
| 1006                         | 8245            | 21         | 46.7                               | 14600                             | 1490  | 104000                           | 10600 | 1.60    | 55.5                               | 12300                             | 1250  | 98700                            | 10100              | 1.60    | 50 | -  | 61 | 67 | -  | 78 |
|                              | 8255            |            |                                    |                                   |       | 127000                           | 12900 | 2.01    |                                    |                                   |       | 121000                           | 12300              | 2.01    |    |    |    |    |    |    |

※ Frame sizes in Blue are the recommended models for 24 hours/day with uniform load. 均勻負載下，減速機連續使用 24 小時，建議使用標註藍色型號或更大型號。

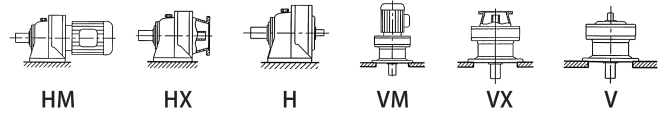
# Service Factor 安全係數表

|                 |                |      |      |
|-----------------|----------------|------|------|
| 75 kW<br>100 HP | Hz             | 50Hz | 60Hz |
|                 | Pole           | 6    | 6    |
|                 | n <sub>1</sub> | 980  | 1165 |



| Model 型式                     |                | 50Hz      |                                |       |                                   |        |                                  | 60Hz |         |                                |       |                                   |       | Dimension Page 頁數①               |    |         |    |    |   |    |    |   |
|------------------------------|----------------|-----------|--------------------------------|-------|-----------------------------------|--------|----------------------------------|------|---------|--------------------------------|-------|-----------------------------------|-------|----------------------------------|----|---------|----|----|---|----|----|---|
| Input Capacity Symbol 馬力 編號② | Frame Size 型號③ | Ratio 速比④ | Output Speed 轉速 n <sub>2</sub> |       | Output Torque 扭矩 T <sub>out</sub> |        | Allowable Radial Load 應許徑向負載 Pro |      | SF 安全係數 | Output Speed 轉速 n <sub>2</sub> |       | Output Torque 扭矩 T <sub>out</sub> |       | Allowable Radial Load 應許徑向負載 Pro |    | SF 安全係數 | HM | HX | H | VM | VX | V |
|                              |                |           | rpm                            | N.m   | Kgf.m                             | N      | kgf                              | rpm  |         | N.m                            | Kgf.m | N                                 | kgf   |                                  |    |         |    |    |   |    |    |   |
| 1006                         | 8245           | 29        | 33.8                           | 20100 | 2050                              | 113000 | 11500                            | 1.26 | 40.2    | 16900                          | 1730  | 108000                            | 11000 | 1.26                             | 50 | -       | 61 | 67 | - | 78 |    |   |
|                              | 8255           |           |                                |       |                                   | 139000 | 14200                            | 1.57 |         |                                |       | 133000                            | 13500 | 1.57                             | 50 | -       | 61 | 67 | - | 78 |    |   |
|                              | 8265           |           |                                |       |                                   | 172000 | 17500                            | 2.12 |         |                                |       | 163000                            | 16600 | 2.12                             | 50 | -       | 61 | 67 | - | 78 |    |   |
| 1006                         | 8255           | 43        | 22.8                           | 29900 | 3040                              | 155000 | 15800                            | 1.04 | 27.1    | 25100                          | 2560  | 148000                            | 15100 | 1.19                             | 50 | -       | 61 | 67 | - | 78 |    |   |
|                              | 8265           |           |                                |       |                                   | 191000 | 19500                            | 1.51 |         |                                |       | 182000                            | 18600 | 1.51                             | 50 | -       | 61 | 67 | - | 78 |    |   |
|                              | 8275           |           |                                |       |                                   | 248000 | 25300                            | 2.01 |         |                                |       | 248000                            | 25300 | 2.01                             | 50 | -       | 61 | 67 | - | 78 |    |   |
| 1006                         | 8265           | 59        | 16.6                           | 41000 | 4180                              | 208000 | 21200                            | 1.12 | 19.7    | 34500                          | 3510  | 198000                            | 20200 | 1.26                             | 50 | -       | 61 | 67 | - | 78 |    |   |
|                              | 8275           |           |                                |       |                                   | 248000 | 25300                            | 1.67 |         |                                |       | 248000                            | 25300 | 1.76                             | 50 | -       | 61 | 67 | - | 78 |    |   |

|                 |                |      |      |
|-----------------|----------------|------|------|
| 90 kW<br>125 HP | Hz             | 50Hz | 60Hz |
|                 | Pole           | 6    | 6    |
|                 | n <sub>1</sub> | 980  | 1165 |



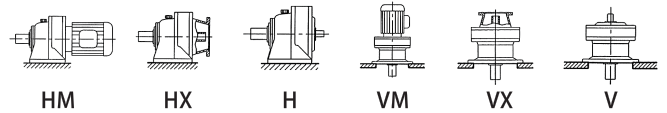
| Model 型式                     |                | 50Hz      |                                |       |                                   |        |                                  | 60Hz |         |                                |       |                                   |       | Dimension Page 頁數①               |    |         |    |    |   |    |    |   |
|------------------------------|----------------|-----------|--------------------------------|-------|-----------------------------------|--------|----------------------------------|------|---------|--------------------------------|-------|-----------------------------------|-------|----------------------------------|----|---------|----|----|---|----|----|---|
| Input Capacity Symbol 馬力 編號② | Frame Size 型號③ | Ratio 速比④ | Output Speed 轉速 n <sub>2</sub> |       | Output Torque 扭矩 T <sub>out</sub> |        | Allowable Radial Load 應許徑向負載 Pro |      | SF 安全係數 | Output Speed 轉速 n <sub>2</sub> |       | Output Torque 扭矩 T <sub>out</sub> |       | Allowable Radial Load 應許徑向負載 Pro |    | SF 安全係數 | HM | HX | H | VM | VX | V |
|                              |                |           | rpm                            | N.m   | Kgf.m                             | N      | kgf                              | rpm  |         | N.m                            | Kgf.m | N                                 | kgf   |                                  |    |         |    |    |   |    |    |   |
| 1256                         | 8245           | 11        | 89.1                           | 9170  | 934                               | 86100  | 8780                             | 1.47 | 106     | 7710                           | 786   | 82000                             | 8360  | 1.47                             | 50 | -       | 61 | 67 | - | 78 |    |   |
|                              | 8255           |           |                                |       |                                   | 106000 | 10800                            | 1.68 |         |                                |       | 101000                            | 10300 | 1.68                             | 50 | -       | 61 | 67 | - | 78 |    |   |
|                              | 8265           |           |                                |       |                                   | 130000 | 13200                            | 1.94 |         |                                |       | 123000                            | 12600 | 1.94                             | 50 | -       | 61 | 67 | - | 78 |    |   |
| 1256                         | 8245           | 15        | 65.3                           | 12500 | 1270                              | 92300  | 9410                             | 1.47 | 77.7    | 10500                          | 1070  | 87900                             | 8960  | 1.47                             | 50 | -       | 61 | 67 | - | 78 |    |   |
|                              | 8255           |           |                                |       |                                   | 113000 | 11600                            | 1.68 |         |                                |       | 108000                            | 11000 | 1.68                             | 50 | -       | 61 | 67 | - | 78 |    |   |
|                              | 8265           |           |                                |       |                                   | 139000 | 14100                            | 1.94 |         |                                |       | 132000                            | 13400 | 1.94                             | 50 | -       | 61 | 67 | - | 78 |    |   |
| 1256                         | 8245           | 21        | 46.7                           | 17500 | 1780                              | 103000 | 10500                            | 1.33 | 55.5    | 14700                          | 1500  | 98200                             | 10000 | 1.33                             | 50 | -       | 61 | 67 | - | 78 |    |   |
|                              | 8255           |           |                                |       |                                   | 126000 | 12900                            | 1.68 |         |                                |       | 120000                            | 12300 | 1.68                             | 50 | -       | 61 | 67 | - | 78 |    |   |
|                              | 8265           |           |                                |       |                                   | 155000 | 15800                            | 1.91 |         |                                |       | 147000                            | 15000 | 1.91                             | 50 | -       | 61 | 67 | - | 78 |    |   |
| 1256                         | 8245           | 29        | 33.8                           | 24200 | 2460                              | 112000 | 11400                            | 1.05 | 40.2    | 20300                          | 2070  | 107000                            | 10900 | 1.05                             | 50 | -       | 61 | 67 | - | 78 |    |   |
|                              | 8255           |           |                                |       |                                   | 139000 | 14100                            | 1.31 |         |                                |       | 132000                            | 13500 | 1.31                             | 50 | -       | 61 | 67 | - | 78 |    |   |
|                              | 8265           |           |                                |       |                                   | 171000 | 17400                            | 1.77 |         |                                |       | 163000                            | 16600 | 1.77                             | 50 | -       | 61 | 67 | - | 78 |    |   |
| 1256                         | 8265           | 43        | 22.8                           | 35800 | 3650                              | 190000 | 19400                            | 1.26 | 27.1    | 30100                          | 3070  | 181000                            | 18500 | 1.26                             | 50 | -       | 61 | 67 | - | 78 |    |   |
|                              | 8275           |           |                                |       |                                   | 248000 | 25300                            | 1.68 |         |                                |       | 248000                            | 25300 | 1.68                             | 50 | -       | 61 | 67 | - | 78 |    |   |
| 1256                         | 8275           | 59        | 16.6                           | 49200 | 5010                              | 248000 | 25300                            | 1.39 | 19.7    | 41400                          | 4220  | 248000                            | 25300 | 1.47                             | 50 | -       | 61 | 67 | - | 78 |    |   |

※ Frame sizes in Blue are the recommended models for 24 hours/day with uniform load. 均勻負載下，減速機連續使用 24 小時，建議使用標註藍色型號或更大型號。



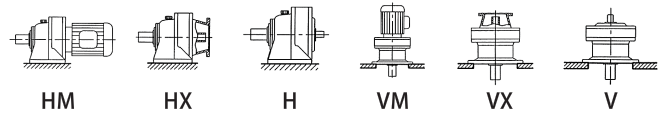
## Service Factor 安全係數表

|                  |                |      |      |
|------------------|----------------|------|------|
| 110 kW<br>150 HP | Hz             | 50Hz | 60Hz |
|                  | Pole           | 6    | 6    |
|                  | n <sub>1</sub> | 980  | 1165 |



| Model 型式                      |                 | 50Hz       |                                    |                                   |       |                                  |       | 60Hz    |                                    |                                   |       |                                  |       | Dimension Page 頁數① |    |    |    |    |    |    |
|-------------------------------|-----------------|------------|------------------------------------|-----------------------------------|-------|----------------------------------|-------|---------|------------------------------------|-----------------------------------|-------|----------------------------------|-------|--------------------|----|----|----|----|----|----|
| Input Capacity Symbol 馬力 編號 ② | Frame Size 型號 ③ | Ratio 速比 ④ | Output Speed 轉速 n <sub>2</sub> rpm | Output Torque 扭矩 T <sub>out</sub> |       | Allowable Radial Load 應許徑向負載 Pro |       | SF 安全係數 | Output Speed 轉速 n <sub>2</sub> rpm | Output Torque 扭矩 T <sub>out</sub> |       | Allowable Radial Load 應許徑向負載 Pro |       | SF 安全係數            | HM | HX | H  | VM | VX | V  |
|                               |                 |            |                                    | N.m                               | Kgf.m | N                                | kgf   |         |                                    | N.m                               | Kgf.m | N                                | kgf   |                    |    |    |    |    |    |    |
|                               |                 |            |                                    |                                   |       |                                  |       |         |                                    |                                   |       |                                  |       |                    |    |    |    |    |    |    |
| 1506                          | 8245            | 11         | 89.1                               | 11200                             | 1140  | 85700                            | 8730  | 1.20    | 106                                | 9420                              | 961   | 81600                            | 8320  | 1.20               | -  | -  | 61 | -  | -  | 78 |
|                               | 105000          |            |                                    |                                   |       | 10700                            | 1.37  | 100000  |                                    |                                   |       | 10200                            | 1.37  | -                  | -  | 61 | -  | -  | 78 |    |
| 1506                          | 8245            | 15         | 65.3                               | 15300                             | 1560  | 91700                            | 9350  | 1.20    | 77.7                               | 12800                             | 1310  | 87500                            | 8910  | 1.20               | -  | -  | 61 | -  | -  | 78 |
|                               | 113000          |            |                                    |                                   |       | 11500                            | 1.37  | 108000  |                                    |                                   |       | 11000                            | 1.37  | -                  | -  | 61 | -  | -  | 78 |    |
| 1506                          | 8245            | 21         | 46.7                               | 21400                             | 2180  | 102000                           | 10400 | 1.09    | 55.5                               | 18000                             | 1830  | 97500                            | 9945  | 1.09               | -  | -  | 61 | -  | -  | 78 |
|                               | 126000          |            |                                    |                                   |       | 12800                            | 1.37  | 120000  |                                    |                                   |       | 12200                            | 1.37  | -                  | -  | 61 | -  | -  | 78 |    |
| 1506                          | 8255            | 29         | 33.8                               | 29500                             | 3010  | 138000                           | 14000 | 1.07    | 40.2                               | 24800                             | 2530  | 131000                           | 13400 | 1.07               | -  | -  | 61 | -  | -  | 78 |
|                               | 170000          |            |                                    |                                   |       | 17300                            | 1.45  | 162000  |                                    |                                   |       | 16500                            | 1.45  | -                  | -  | 61 | -  | -  | 78 |    |
| 1506                          | 8265            | 43         | 22.8                               | 43800                             | 4460  | 189000                           | 19300 | 1.03    | 27.1                               | 36800                             | 3750  | 180000                           | 18400 | 1.03               | -  | -  | 61 | -  | -  | 78 |

|                  |                |      |      |
|------------------|----------------|------|------|
| 132 kW<br>175 HP | Hz             | 50Hz | 60Hz |
|                  | Pole           | 6    | 6    |
|                  | n <sub>1</sub> | 980  | 1165 |



| Model 型式                      |                 | 50Hz       |                                    |                                   |       |                                  |       | 60Hz    |                                    |                                   |       |                                  |       | Dimension Page 頁數① |    |    |    |    |    |    |
|-------------------------------|-----------------|------------|------------------------------------|-----------------------------------|-------|----------------------------------|-------|---------|------------------------------------|-----------------------------------|-------|----------------------------------|-------|--------------------|----|----|----|----|----|----|
| Input Capacity Symbol 馬力 編號 ② | Frame Size 型號 ③ | Ratio 速比 ④ | Output Speed 轉速 n <sub>2</sub> rpm | Output Torque 扭矩 T <sub>out</sub> |       | Allowable Radial Load 應許徑向負載 Pro |       | SF 安全係數 | Output Speed 轉速 n <sub>2</sub> rpm | Output Torque 扭矩 T <sub>out</sub> |       | Allowable Radial Load 應許徑向負載 Pro |       | SF 安全係數            | HM | HX | H  | VM | VX | V  |
|                               |                 |            |                                    | N.m                               | Kgf.m | N                                | kgf   |         |                                    | N.m                               | Kgf.m | N                                | kgf   |                    |    |    |    |    |    |    |
|                               |                 |            |                                    |                                   |       |                                  |       |         |                                    |                                   |       |                                  |       |                    |    |    |    |    |    |    |
| 1756                          | 8255            | 11         | 89.1                               | 13400                             | 1370  | 105000                           | 10700 | 1.14    | 106                                | 11300                             | 1150  | 99900                            | 10200 | 1.14               | -  | -  | 61 | -  | -  | 78 |
|                               | 129000          |            |                                    |                                   |       | 13100                            | 1.33  | 123000  |                                    |                                   |       | 12500                            | 1.33  | -                  | -  | 61 | -  | -  | 78 |    |
| 1756                          | 8255            | 15         | 65.3                               | 18300                             | 1870  | 112000                           | 11500 | 1.14    | 77.7                               | 15400                             | 1570  | 107000                           | 10900 | 1.14               | -  | -  | 61 | -  | -  | 78 |
|                               | 138000          |            |                                    |                                   |       | 14000                            | 1.33  | 131000  |                                    |                                   |       | 13400                            | 1.33  | -                  | -  | 61 | -  | -  | 78 |    |
| 1756                          | 8255            | 21         | 46.7                               | 25700                             | 2620  | 125000                           | 12700 | 1.14    | 55.5                               | 21600                             | 2200  | 119000                           | 12100 | 1.14               | -  | -  | 61 | -  | -  | 78 |
|                               | 154000          |            |                                    |                                   |       | 15700                            | 1.30  | 146000  |                                    |                                   |       | 14900                            | 1.30  | -                  | -  | 61 | -  | -  | 78 |    |
| 1756                          | 8265            | 29         | 33.8                               | 35400                             | 3610  | 169000                           | 17200 | 1.20    | 40.2                               | 29800                             | 3040  | 161000                           | 16500 | 1.20               | -  | -  | 61 | -  | -  | 78 |

※ Frame sizes in Blue are the recommended models for 24 hours/day with uniform load. 均勻負載下，減速機連續使用 24 小時，建議使用標註藍色型號或更大型號。

# HM Single Stage Foot Mount Gearmotor 單段臥式腳座附馬達型

## Dimensions 外型尺寸表

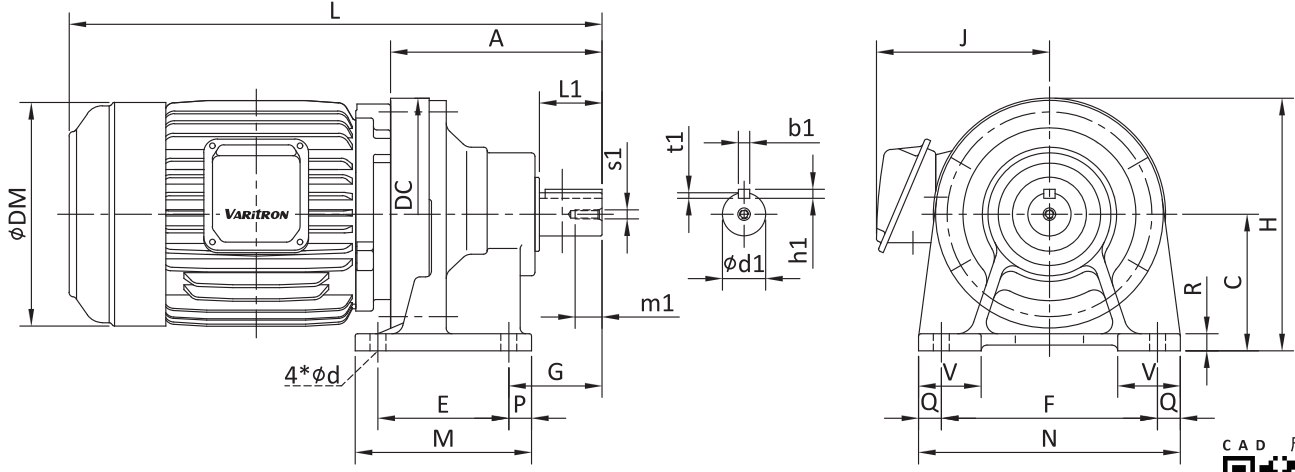


FIG.圖 A



| Frame Size<br>型號 | Motor<br>馬達<br>Hp<br>(kW) | P   | Fig.<br>圖 | L   | A   | J   | G   | DC  | DM  | R   | C   | H   | W<br>(kg) | Foot Stock<br>腳座 |     |     |     |    |    | Output Shaft<br>出力軸 |     |    |     |    |     |     |     |    |
|------------------|---------------------------|-----|-----------|-----|-----|-----|-----|-----|-----|-----|-----|-----|-----------|------------------|-----|-----|-----|----|----|---------------------|-----|----|-----|----|-----|-----|-----|----|
|                  |                           |     |           |     |     |     |     |     |     |     |     |     |           | E                | F   | M   | N   | P  | Q  | V                   | d   | d1 | L1  | b1 | h1  | t1  | s1  | m1 |
| HM05-8090        | 1/2<br>(0.37)             | 4   | A         | 397 | 156 | 133 | 60  | 150 | 162 | 12  | 100 | 181 | 24        | 90               | 150 | 135 | 180 | 15 | 15 | 40                  | 11  | 28 | 35  | 8  | 7   | 4   | M8  | 20 |
| HM05-8105        |                           |     | A         | 411 | 156 | 133 | 60  | 150 | 162 | 12  | 100 | 181 | 24        | 90               | 150 | 135 | 180 | 15 | 15 | 40                  | 11  | 28 | 35  | 8  | 7   | 4   | M8  | 20 |
| HM05-8125        |                           |     | A         | 442 | 186 | 133 | 82  | 204 | 162 | 15  | 120 | 222 | 35        | 115              | 190 | 155 | 230 | 20 | 20 | 55                  | 14  | 38 | 55  | 10 | 8   | 5   | M8  | 20 |
| HM1-8090         | 1<br>(0.75)               | 4   | A         | 416 | 156 | 144 | 60  | 150 | 177 | 12  | 100 | 189 | 31        | 90               | 150 | 135 | 180 | 15 | 15 | 40                  | 11  | 28 | 35  | 8  | 7   | 4   | M8  | 20 |
| HM1-8105         |                           |     | A         | 430 | 156 | 144 | 60  | 150 | 177 | 12  | 100 | 189 | 31        | 90               | 150 | 135 | 180 | 15 | 15 | 40                  | 11  | 28 | 35  | 8  | 7   | 4   | M8  | 20 |
| HM1-8125         |                           |     | A         | 461 | 186 | 144 | 82  | 204 | 177 | 15  | 120 | 222 | 42        | 115              | 190 | 155 | 230 | 20 | 20 | 55                  | 14  | 38 | 55  | 10 | 8   | 5   | M8  | 20 |
| HM1-8135         |                           |     | B         | 514 | 240 | 144 | 100 | 230 | 177 | 22  | 150 | 265 | 60        | 145              | 290 | 195 | 330 | 25 | 20 | 65                  | 18  | 50 | 70  | 14 | 9   | 5.5 | M10 | 18 |
| HM1-8145         |                           |     | B         | 534 | 260 | 144 | 120 | 230 | 177 | 22  | 150 | 265 | 61        | 145              | 290 | 195 | 330 | 25 | 20 | 65                  | 18  | 50 | 90  | 14 | 9   | 5.5 | M10 | 18 |
| HM2-8105         | 2<br>(1.5)                | 4   | A         | 467 | 156 | 157 | 60  | 150 | 200 | 12  | 100 | 200 | 39        | 90               | 150 | 135 | 180 | 15 | 15 | 40                  | 11  | 28 | 35  | 8  | 7   | 4   | M8  | 20 |
| HM2-8125         |                           |     | A         | 498 | 186 | 157 | 82  | 204 | 200 | 15  | 120 | 222 | 50        | 115              | 190 | 155 | 230 | 20 | 20 | 55                  | 14  | 38 | 55  | 10 | 8   | 5   | M8  | 20 |
| HM2-8135         |                           |     | B         | 556 | 240 | 157 | 100 | 230 | 200 | 22  | 150 | 265 | 68        | 145              | 290 | 195 | 330 | 25 | 20 | 65                  | 18  | 50 | 70  | 14 | 9   | 5.5 | M10 | 18 |
| HM2-8145         |                           |     | B         | 576 | 260 | 157 | 120 | 230 | 200 | 22  | 150 | 265 | 69        | 145              | 290 | 195 | 330 | 25 | 20 | 65                  | 18  | 50 | 90  | 14 | 9   | 5.5 | M10 | 18 |
| HM2-8165         |                           |     | B         | 625 | 308 | 157 | 139 | 300 | 200 | 25  | 160 | 310 | 112       | 150              | 370 | 238 | 410 | 44 | 20 | 75                  | 18  | 60 | 90  | 18 | 11  | 7   | M10 | 18 |
| HM3-8105         | 3<br>(2.2)                | 4   | A         | 496 | 156 | 180 | 60  | 150 | 219 | 12  | 100 | 212 | 46        | 90               | 150 | 135 | 180 | 15 | 15 | 40                  | 11  | 28 | 35  | 8  | 7   | 4   | M8  | 20 |
| HM3-8125         |                           |     | A         | 230 | 186 | 180 | 82  | 204 | 219 | 15  | 120 | 232 | 57        | 115              | 190 | 155 | 230 | 20 | 20 | 55                  | 14  | 38 | 55  | 10 | 8   | 5   | M8  | 20 |
| HM3-8135         |                           |     | B         | 585 | 240 | 180 | 100 | 230 | 219 | 22  | 150 | 265 | 75        | 145              | 290 | 195 | 330 | 25 | 20 | 65                  | 18  | 50 | 70  | 14 | 9   | 5.5 | M10 | 18 |
| HM3-8145         |                           |     | B         | 605 | 260 | 180 | 120 | 230 | 219 | 22  | 150 | 265 | 76        | 145              | 290 | 195 | 330 | 25 | 20 | 65                  | 18  | 50 | 90  | 14 | 9   | 5.5 | M10 | 18 |
| HM3-8165         |                           |     | B         | 653 | 308 | 180 | 139 | 300 | 219 | 25  | 160 | 310 | 120       | 150              | 370 | 238 | 410 | 44 | 20 | 75                  | 18  | 60 | 90  | 18 | 11  | 7   | M10 | 18 |
| HM5-8125         | 5<br>(3.7)                | 4   | A         | 582 | 186 | 189 | 82  | 204 | 238 | 15  | 120 | 239 | 67        | 115              | 190 | 155 | 230 | 20 | 20 | 55                  | 14  | 38 | 55  | 10 | 8   | 5   | M8  | 20 |
| HM5-8135         |                           |     | B         | 641 | 240 | 189 | 100 | 230 | 238 | 22  | 150 | 269 | 85        | 145              | 290 | 195 | 330 | 25 | 20 | 65                  | 18  | 50 | 70  | 14 | 9   | 5.5 | M10 | 18 |
| HM5-8145         |                           |     | B         | 661 | 260 | 189 | 120 | 230 | 238 | 22  | 150 | 269 | 86        | 145              | 290 | 195 | 330 | 25 | 20 | 65                  | 18  | 50 | 90  | 14 | 9   | 5.5 | M10 | 18 |
| HM5-8165         |                           |     | B         | 709 | 308 | 189 | 139 | 300 | 238 | 25  | 160 | 310 | 130       | 150              | 370 | 238 | 410 | 44 | 20 | 75                  | 18  | 60 | 90  | 18 | 11  | 7   | M10 | 18 |
| HM5-8175         |                           |     | B         | 718 | 352 | 189 | 125 | 340 | 238 | 30  | 200 | 370 | 173       | 275              | 380 | 335 | 430 | 30 | 25 | 80                  | 22  | 70 | 90  | 20 | 12  | 7.5 | M12 | 24 |
| HM5-8185         | B                         | 760 | 389       | 189 | 145 | 370 | 238 | 30  | 220 | 405 | 205 | 320 | 420       | 380              | 470 | 30  | 25  | 85 | 22 | 80                  | 110 | 22 | 14  | 9  | M12 | 24  |     |    |
| HM8-8135         | 7 1/2<br>(5.5)            | 4   | B         | 634 | 240 | 224 | 100 | 230 | 273 | 22  | 150 | 287 | 108       | 145              | 290 | 195 | 330 | 25 | 20 | 65                  | 18  | 50 | 70  | 14 | 9   | 5.5 | M10 | 18 |
| HM8-8145         |                           |     | B         | 654 | 260 | 224 | 120 | 230 | 273 | 22  | 150 | 287 | 109       | 145              | 290 | 195 | 330 | 25 | 20 | 65                  | 18  | 50 | 90  | 14 | 9   | 5.5 | M10 | 18 |
| HM8-8165         |                           |     | B         | 712 | 308 | 224 | 139 | 300 | 273 | 25  | 160 | 310 | 148       | 150              | 370 | 238 | 410 | 44 | 20 | 75                  | 18  | 60 | 90  | 18 | 11  | 7   | M10 | 18 |
| HM8-8175         |                           |     | B         | 756 | 352 | 224 | 125 | 340 | 273 | 30  | 200 | 370 | 191       | 275              | 380 | 335 | 430 | 30 | 25 | 80                  | 22  | 70 | 90  | 20 | 12  | 7.5 | M12 | 24 |
| HM8-8185         |                           |     | B         | 808 | 389 | 224 | 145 | 370 | 273 | 30  | 220 | 405 | 223       | 320              | 420 | 380 | 470 | 30 | 25 | 85                  | 22  | 80 | 110 | 22 | 14  | 9   | M12 | 24 |
| HM8-8195         | B                         | 869 | 465       | 224 | 170 | 430 | 273 | 35  | 250 | 465 | 303 | 380 | 480       | 440              | 530 | 30  | 25  | 90 | 22 | 95                  | 135 | 25 | 14  | 9  | M20 | 34  |     |    |

※ For brake model's dimension and weight, contact Varitron® or your sales personal. 如需附剎車款式，相關尺寸及重量請洽中國變速。  
 ※ Dimensions in above drawings are subject to change without notice. 尺寸若有變動，將不另行通知。

# HM Single Stage Foot Mount Gearmotor 單段臥式腳座附馬達型

## Dimensions 外型尺寸表

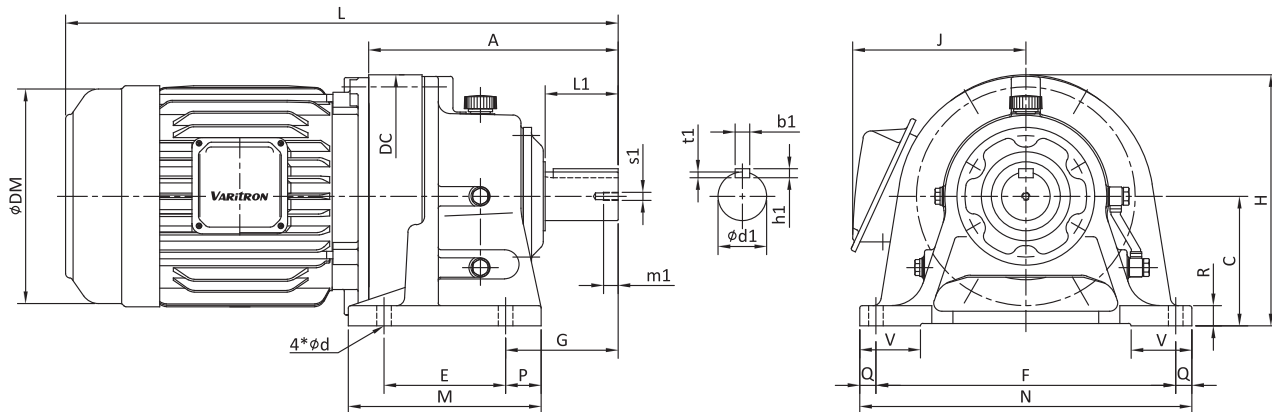


FIG. 圖 B



| Frame Size<br>型號 | Motor<br>馬達  |      | Fig.<br>圖    | L    | A   | J   | G   | DC  | DM  | R   | C   | H   | W<br>(kg) | Foot Stock<br>腳座 |     |     |     |     |     | Output Shaft<br>出力軸 |     |     |     |    |     |     |     |     |
|------------------|--------------|------|--------------|------|-----|-----|-----|-----|-----|-----|-----|-----|-----------|------------------|-----|-----|-----|-----|-----|---------------------|-----|-----|-----|----|-----|-----|-----|-----|
|                  | Hp<br>(kW)   | P    |              |      |     |     |     |     |     |     |     |     |           | E                | F   | M   | N   | P   | Q   | V                   | d   | d1  | L1  | b1 | h1  | t1  | s1  | m1  |
| HM10-8135        | 10<br>(7.5)  | 4    | B            | 672  | 240 | 224 | 100 | 230 | 273 | 22  | 150 | 287 | 120       | 145              | 290 | 195 | 330 | 25  | 20  | 65                  | 18  | 50  | 70  | 14 | 9   | 5.5 | M10 | 18  |
| HM10-8145        |              |      | B            | 692  | 260 | 224 | 120 | 230 | 273 | 22  | 150 | 287 | 121       | 145              | 290 | 195 | 330 | 25  | 20  | 65                  | 18  | 50  | 90  | 14 | 9   | 5.5 | M10 | 18  |
| HM10-8165        |              |      | B            | 750  | 308 | 224 | 139 | 300 | 273 | 25  | 160 | 310 | 159       | 150              | 370 | 238 | 410 | 44  | 20  | 75                  | 18  | 60  | 90  | 18 | 11  | 7   | M10 | 18  |
| HM10-8175        |              |      | B            | 794  | 352 | 224 | 125 | 340 | 273 | 30  | 200 | 370 | 203       | 275              | 380 | 335 | 430 | 30  | 25  | 80                  | 22  | 70  | 90  | 20 | 12  | 7.5 | M12 | 24  |
| HM10-8185        |              |      | B            | 846  | 389 | 224 | 145 | 370 | 273 | 30  | 220 | 405 | 235       | 320              | 420 | 380 | 470 | 30  | 25  | 85                  | 22  | 80  | 110 | 22 | 14  | 9   | M12 | 24  |
| HM10-8195        |              |      | B            | 907  | 465 | 224 | 170 | 430 | 273 | 35  | 250 | 465 | 315       | 380              | 480 | 440 | 530 | 30  | 25  | 90                  | 22  | 95  | 135 | 25 | 14  | 9   | M20 | 34  |
| HM15-8165        | 15<br>(11)   | 4    | B            | 818  | 308 | 263 | 139 | 300 | 334 | 25  | 160 | 327 | 204       | 150              | 370 | 238 | 410 | 44  | 20  | 75                  | 18  | 60  | 90  | 18 | 11  | 7   | M10 | 18  |
| HM15-8175        |              |      | B            | 862  | 352 | 263 | 125 | 340 | 334 | 30  | 200 | 370 | 248       | 275              | 380 | 335 | 430 | 30  | 25  | 80                  | 22  | 70  | 90  | 20 | 12  | 7.5 | M12 | 24  |
| HM15-8185        |              |      | B            | 899  | 389 | 263 | 145 | 370 | 334 | 30  | 220 | 405 | 280       | 320              | 420 | 380 | 470 | 30  | 25  | 85                  | 22  | 80  | 110 | 22 | 14  | 9   | M12 | 24  |
| HM15-8195        |              |      | B            | 975  | 465 | 263 | 170 | 430 | 334 | 35  | 250 | 465 | 360       | 380              | 480 | 440 | 530 | 30  | 25  | 90                  | 22  | 95  | 135 | 25 | 14  | 9   | M20 | 34  |
| HM15-8205        |              |      | B            | 1022 | 502 | 263 | 215 | 448 | 334 | 35  | 250 | 474 | 378       | 360              | 440 | 440 | 530 | 40  | 45  | 100                 | 26  | 100 | 165 | 28 | 16  | 10  | M20 | 34  |
| HM15-8215        |              |      | B            | 1046 | 526 | 263 | 210 | 485 | 334 | 40  | 265 | 508 | 438       | 395              | 480 | 475 | 580 | 40  | 50  | 110                 | 26  | 110 | 165 | 28 | 16  | 10  | M20 | 34  |
| HM20-8165        | 20<br>(15)   | 4    | B            | 862  | 308 | 263 | 139 | 300 | 334 | 25  | 160 | 327 | 220       | 150              | 370 | 238 | 410 | 44  | 20  | 75                  | 18  | 60  | 90  | 18 | 11  | 7   | M10 | 18  |
| HM20-8175        |              |      | B            | 906  | 352 | 263 | 125 | 340 | 334 | 30  | 200 | 370 | 263       | 275              | 380 | 335 | 430 | 30  | 25  | 80                  | 22  | 70  | 90  | 20 | 12  | 7.5 | M12 | 24  |
| HM20-8185        |              |      | B            | 943  | 389 | 263 | 145 | 370 | 334 | 30  | 220 | 405 | 295       | 320              | 420 | 380 | 470 | 30  | 25  | 85                  | 22  | 80  | 110 | 22 | 14  | 9   | M12 | 24  |
| HM20-8195        |              |      | B            | 1019 | 465 | 263 | 170 | 430 | 334 | 35  | 250 | 465 | 373       | 380              | 480 | 440 | 530 | 30  | 25  | 90                  | 22  | 95  | 135 | 25 | 14  | 9   | M20 | 34  |
| HM20-8205        |              |      | B            | 1066 | 502 | 263 | 215 | 448 | 334 | 35  | 250 | 474 | 391       | 360              | 440 | 440 | 530 | 40  | 45  | 100                 | 26  | 100 | 165 | 28 | 16  | 10  | M20 | 34  |
| HM20-8215        |              |      | B            | 1090 | 526 | 263 | 210 | 485 | 334 | 40  | 265 | 508 | 450       | 395              | 480 | 475 | 580 | 40  | 50  | 110                 | 26  | 110 | 165 | 28 | 16  | 10  | M20 | 34  |
| HM20-8225        | B            | 1130 | 566          | 263  | 230 | 526 | 334 | 40  | 280 | 543 | 550 | 420 | 540       | 520              | 620 | 50  | 40  | 115 | 33  | 120                 | 165 | 32  | 18  | 11 | M20 | 34  |     |     |
| HM206-8205       | 20<br>(15)   | 6    | B            | 1077 | 502 | 305 | 215 | 448 | 382 | 35  | 250 | 474 | 445       | 360              | 440 | 440 | 530 | 40  | 45  | 100                 | 26  | 100 | 165 | 28 | 16  | 10  | M20 | 34  |
| HM206-8215       |              |      | B            | 1101 | 526 | 305 | 210 | 485 | 382 | 40  | 265 | 508 | 505       | 395              | 480 | 475 | 580 | 40  | 50  | 110                 | 26  | 110 | 165 | 28 | 16  | 10  | M20 | 34  |
| HM206-8225       |              |      | B            | 1151 | 566 | 305 | 230 | 526 | 382 | 40  | 280 | 543 | 610       | 420              | 540 | 520 | 620 | 50  | 40  | 115                 | 33  | 120 | 165 | 32 | 18  | 11  | M20 | 34  |
| HM206-8235       |              |      | B            | 1223 | 628 | 305 | 260 | 562 | 382 | 45  | 300 | 581 | 699       | 460              | 580 | 560 | 670 | 50  | 45  | 120                 | 33  | 130 | 200 | 32 | 18  | 11  | M24 | 41  |
| HM206-8245       |              |      | B            | 1257 | 657 | 305 | 263 | 614 | 382 | 45  | 335 | 642 | 820       | 480              | 630 | 580 | 720 | 50  | 45  | 128                 | 39  | 140 | 200 | 36 | 20  | 12  | M24 | 41  |
| HM25-8175        |              |      | 25<br>(18.5) | 4    | B   | 917 | 352 | 305 | 125 | 340 | 382 | 30  | 200       | 391              | 318 | 275 | 380 | 335 | 430 | 30                  | 25  | 80  | 22  | 70 | 90  | 20  | 12  | 7.5 |
| HM25-8185        | B            | 959  |              |      | 389 | 305 | 145 | 370 | 382 | 30  | 220 | 411 | 350       | 320              | 420 | 380 | 470 | 30  | 25  | 85                  | 22  | 80  | 110 | 22 | 14  | 9   | M12 | 24  |
| HM25-8195        | B            | 1035 |              |      | 465 | 305 | 170 | 430 | 382 | 35  | 250 | 465 | 428       | 380              | 480 | 440 | 530 | 30  | 25  | 90                  | 22  | 95  | 135 | 25 | 14  | 9   | M20 | 34  |
| HM25-8205        | B            | 1077 |              |      | 502 | 305 | 215 | 448 | 382 | 35  | 250 | 474 | 445       | 360              | 440 | 440 | 530 | 40  | 45  | 100                 | 26  | 100 | 165 | 28 | 16  | 10  | M20 | 34  |
| HM25-8215        | B            | 1101 |              |      | 526 | 305 | 210 | 485 | 382 | 40  | 265 | 508 | 505       | 395              | 480 | 475 | 580 | 40  | 50  | 110                 | 26  | 110 | 165 | 28 | 16  | 10  | M20 | 34  |
| HM25-8225        | B            | 1151 |              |      | 566 | 305 | 230 | 526 | 382 | 40  | 280 | 543 | 610       | 420              | 540 | 520 | 620 | 50  | 40  | 115                 | 33  | 120 | 165 | 32 | 18  | 11  | M20 | 34  |
| HM256-8195       | 25<br>(18.5) | 6    | B            | 1073 | 465 | 305 | 170 | 430 | 382 | 35  | 250 | 465 | 455       | 380              | 480 | 440 | 530 | 30  | 25  | 90                  | 22  | 95  | 135 | 25 | 14  | 9   | M20 | 34  |
| HM256-8215       |              |      | B            | 1149 | 526 | 305 | 210 | 485 | 382 | 40  | 265 | 508 | 515       | 395              | 480 | 475 | 580 | 40  | 50  | 110                 | 26  | 110 | 165 | 28 | 16  | 10  | M20 | 34  |
| HM256-8225       |              |      | B            | 1189 | 566 | 305 | 230 | 526 | 382 | 40  | 280 | 543 | 620       | 420              | 540 | 520 | 620 | 50  | 40  | 115                 | 33  | 120 | 165 | 32 | 18  | 11  | M20 | 34  |
| HM256-8235       |              |      | B            | 1251 | 628 | 305 | 260 | 562 | 382 | 45  | 300 | 581 | 710       | 460              | 580 | 560 | 670 | 50  | 45  | 120                 | 33  | 130 | 200 | 32 | 18  | 11  | M24 | 41  |
| HM256-8245       |              |      | B            | 1295 | 657 | 305 | 263 | 614 | 382 | 45  | 335 | 642 | 830       | 480              | 630 | 580 | 720 | 50  | 45  | 128                 | 39  | 140 | 200 | 36 | 20  | 12  | M24 | 41  |
| HM256-8255       |              |      | B            | 1413 | 775 | 305 | 320 | 670 | 382 | 50  | 375 | 710 | 1150      | 520              | 670 | 630 | 780 | 55  | 55  | 140                 | 39  | 160 | 240 | 40 | 22  | 13  | M30 | 49  |

※ For brake model's dimension and weight, contact Varitron® or your sales personal. 如需附剎車款式，相關尺寸及重量請洽中國變速。

※ Dimensions in above drawings are subject to change without notice. 尺寸若有變動，將不另行通知。

# HM Single Stage Foot Mount Gearmotor 單段臥式腳座附馬達型

## Dimensions 外型尺寸表

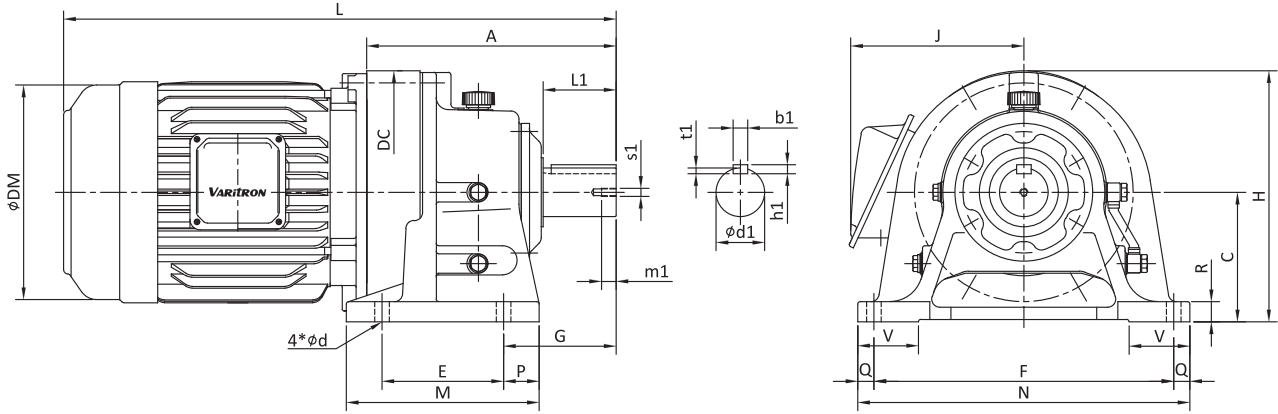


FIG. 圖 B



| Frame Size<br>型號 | Motor<br>馬達  |      | Fig.<br>圖    | L    | A   | J   | G   | DC  | DM  | R   | C   | H   | W<br>(kg) | Foot Stock<br>腳座 |     |     |     |     |     | Output Shaft<br>出力軸 |     |     |     |    |     |     |     |     |
|------------------|--------------|------|--------------|------|-----|-----|-----|-----|-----|-----|-----|-----|-----------|------------------|-----|-----|-----|-----|-----|---------------------|-----|-----|-----|----|-----|-----|-----|-----|
|                  | Hp<br>(kW)   | P    |              |      |     |     |     |     |     |     |     |     |           | E                | F   | M   | N   | P   | Q   | V                   | d   | d1  | L1  | b1 | h1  | t1  | s1  | m1  |
| HM10-8135        | 10<br>(7.5)  | 4    | B            | 672  | 240 | 224 | 100 | 230 | 273 | 22  | 150 | 287 | 120       | 145              | 290 | 195 | 330 | 25  | 20  | 65                  | 18  | 50  | 70  | 14 | 9   | 5.5 | M10 | 18  |
| HM10-8145        |              |      | B            | 692  | 260 | 224 | 120 | 230 | 273 | 22  | 150 | 287 | 121       | 145              | 290 | 195 | 330 | 25  | 20  | 65                  | 18  | 50  | 90  | 14 | 9   | 5.5 | M10 | 18  |
| HM10-8165        |              |      | B            | 750  | 308 | 224 | 139 | 300 | 273 | 25  | 160 | 310 | 159       | 150              | 370 | 238 | 410 | 44  | 20  | 75                  | 18  | 60  | 90  | 18 | 11  | 7   | M10 | 18  |
| HM10-8175        |              |      | B            | 794  | 352 | 224 | 125 | 340 | 273 | 30  | 200 | 370 | 203       | 275              | 380 | 335 | 430 | 30  | 25  | 80                  | 22  | 70  | 90  | 20 | 12  | 7.5 | M12 | 24  |
| HM10-8185        |              |      | B            | 846  | 389 | 224 | 145 | 370 | 273 | 30  | 220 | 405 | 235       | 320              | 420 | 380 | 470 | 30  | 25  | 85                  | 22  | 80  | 110 | 22 | 14  | 9   | M12 | 24  |
| HM10-8195        |              |      | B            | 907  | 465 | 224 | 170 | 430 | 273 | 35  | 250 | 465 | 315       | 380              | 480 | 440 | 530 | 30  | 25  | 90                  | 22  | 95  | 135 | 25 | 14  | 9   | M20 | 34  |
| HM15-8165        | 15<br>(11)   | 4    | B            | 818  | 308 | 263 | 139 | 300 | 334 | 25  | 160 | 327 | 204       | 150              | 370 | 238 | 410 | 44  | 20  | 75                  | 18  | 60  | 90  | 18 | 11  | 7   | M10 | 18  |
| HM15-8175        |              |      | B            | 862  | 352 | 263 | 125 | 340 | 334 | 30  | 200 | 370 | 248       | 275              | 380 | 335 | 430 | 30  | 25  | 80                  | 22  | 70  | 90  | 20 | 12  | 7.5 | M12 | 24  |
| HM15-8185        |              |      | B            | 899  | 389 | 263 | 145 | 370 | 334 | 30  | 220 | 405 | 280       | 320              | 420 | 380 | 470 | 30  | 25  | 85                  | 22  | 80  | 110 | 22 | 14  | 9   | M12 | 24  |
| HM15-8195        |              |      | B            | 975  | 465 | 263 | 170 | 430 | 334 | 35  | 250 | 465 | 360       | 380              | 480 | 440 | 530 | 30  | 25  | 90                  | 22  | 95  | 135 | 25 | 14  | 9   | M20 | 34  |
| HM15-8205        |              |      | B            | 1022 | 502 | 263 | 215 | 448 | 334 | 35  | 250 | 474 | 378       | 360              | 440 | 440 | 530 | 40  | 45  | 100                 | 26  | 100 | 165 | 28 | 16  | 10  | M20 | 34  |
| HM15-8215        |              |      | B            | 1046 | 526 | 263 | 210 | 485 | 334 | 40  | 265 | 508 | 438       | 395              | 480 | 475 | 580 | 40  | 50  | 110                 | 26  | 110 | 165 | 28 | 16  | 10  | M20 | 34  |
| HM20-8165        | 20<br>(15)   | 4    | B            | 862  | 308 | 263 | 139 | 300 | 334 | 25  | 160 | 327 | 220       | 150              | 370 | 238 | 410 | 44  | 20  | 75                  | 18  | 60  | 90  | 18 | 11  | 7   | M10 | 18  |
| HM20-8175        |              |      | B            | 906  | 352 | 263 | 125 | 340 | 334 | 30  | 200 | 370 | 263       | 275              | 380 | 335 | 430 | 30  | 25  | 80                  | 22  | 70  | 90  | 20 | 12  | 7.5 | M12 | 24  |
| HM20-8185        |              |      | B            | 943  | 389 | 263 | 145 | 370 | 334 | 30  | 220 | 405 | 295       | 320              | 420 | 380 | 470 | 30  | 25  | 85                  | 22  | 80  | 110 | 22 | 14  | 9   | M12 | 24  |
| HM20-8195        |              |      | B            | 1019 | 465 | 263 | 170 | 430 | 334 | 35  | 250 | 465 | 373       | 380              | 480 | 440 | 530 | 30  | 25  | 90                  | 22  | 95  | 135 | 25 | 14  | 9   | M20 | 34  |
| HM20-8205        |              |      | B            | 1066 | 502 | 263 | 215 | 448 | 334 | 35  | 250 | 474 | 391       | 360              | 440 | 440 | 530 | 40  | 45  | 100                 | 26  | 100 | 165 | 28 | 16  | 10  | M20 | 34  |
| HM20-8215        |              |      | B            | 1090 | 526 | 263 | 210 | 485 | 334 | 40  | 265 | 508 | 450       | 395              | 480 | 475 | 580 | 40  | 50  | 110                 | 26  | 110 | 165 | 28 | 16  | 10  | M20 | 34  |
| HM20-8225        | B            | 1130 | 566          | 263  | 230 | 526 | 334 | 40  | 280 | 543 | 550 | 420 | 540       | 520              | 620 | 50  | 40  | 115 | 33  | 120                 | 165 | 32  | 18  | 11 | M20 | 34  |     |     |
| HM206-8205       | 20<br>(15)   | 6    | B            | 1077 | 502 | 305 | 215 | 448 | 382 | 35  | 250 | 474 | 445       | 360              | 440 | 440 | 530 | 40  | 45  | 100                 | 26  | 100 | 165 | 28 | 16  | 10  | M20 | 34  |
| HM206-8215       |              |      | B            | 1101 | 526 | 305 | 210 | 485 | 382 | 40  | 265 | 508 | 505       | 395              | 480 | 475 | 580 | 40  | 50  | 110                 | 26  | 110 | 165 | 28 | 16  | 10  | M20 | 34  |
| HM206-8225       |              |      | B            | 1151 | 566 | 305 | 230 | 526 | 382 | 40  | 280 | 543 | 610       | 420              | 540 | 520 | 620 | 50  | 40  | 115                 | 33  | 120 | 165 | 32 | 18  | 11  | M20 | 34  |
| HM206-8235       |              |      | B            | 1223 | 628 | 305 | 260 | 562 | 382 | 45  | 300 | 581 | 699       | 460              | 580 | 560 | 670 | 50  | 45  | 120                 | 33  | 130 | 200 | 32 | 18  | 11  | M24 | 41  |
| HM206-8245       |              |      | B            | 1257 | 657 | 305 | 263 | 614 | 382 | 45  | 335 | 642 | 820       | 480              | 630 | 580 | 720 | 50  | 45  | 128                 | 39  | 140 | 200 | 36 | 20  | 12  | M24 | 41  |
| HM25-8175        |              |      | 25<br>(18.5) | 4    | B   | 917 | 352 | 305 | 125 | 340 | 382 | 30  | 200       | 391              | 318 | 275 | 380 | 335 | 430 | 30                  | 25  | 80  | 22  | 70 | 90  | 20  | 12  | 7.5 |
| HM25-8185        | B            | 959  |              |      | 389 | 305 | 145 | 370 | 382 | 30  | 220 | 411 | 350       | 320              | 420 | 380 | 470 | 30  | 25  | 85                  | 22  | 80  | 110 | 22 | 14  | 9   | M12 | 24  |
| HM25-8195        | B            | 1035 |              |      | 465 | 305 | 170 | 430 | 382 | 35  | 250 | 465 | 428       | 380              | 480 | 440 | 530 | 30  | 25  | 90                  | 22  | 95  | 135 | 25 | 14  | 9   | M20 | 34  |
| HM25-8205        | B            | 1077 |              |      | 502 | 305 | 215 | 448 | 382 | 35  | 250 | 474 | 445       | 360              | 440 | 440 | 530 | 40  | 45  | 100                 | 26  | 100 | 165 | 28 | 16  | 10  | M20 | 34  |
| HM25-8215        | B            | 1101 |              |      | 526 | 305 | 210 | 485 | 382 | 40  | 265 | 508 | 505       | 395              | 480 | 475 | 580 | 40  | 50  | 110                 | 26  | 110 | 165 | 28 | 16  | 10  | M20 | 34  |
| HM25-8225        | B            | 1151 |              |      | 566 | 305 | 230 | 526 | 382 | 40  | 280 | 543 | 610       | 420              | 540 | 520 | 620 | 50  | 40  | 115                 | 33  | 120 | 165 | 32 | 18  | 11  | M20 | 34  |
| HM256-8195       | 25<br>(18.5) | 6    | B            | 1073 | 465 | 305 | 170 | 430 | 382 | 35  | 250 | 465 | 455       | 380              | 480 | 440 | 530 | 30  | 25  | 90                  | 22  | 95  | 135 | 25 | 14  | 9   | M20 | 34  |
| HM256-8215       |              |      | B            | 1149 | 526 | 305 | 210 | 485 | 382 | 40  | 265 | 508 | 515       | 395              | 480 | 475 | 580 | 40  | 50  | 110                 | 26  | 110 | 165 | 28 | 16  | 10  | M20 | 34  |
| HM256-8225       |              |      | B            | 1189 | 566 | 305 | 230 | 526 | 382 | 40  | 280 | 543 | 620       | 420              | 540 | 520 | 620 | 50  | 40  | 115                 | 33  | 120 | 165 | 32 | 18  | 11  | M20 | 34  |
| HM256-8235       |              |      | B            | 1251 | 628 | 305 | 260 | 562 | 382 | 45  | 300 | 581 | 710       | 460              | 580 | 560 | 670 | 50  | 45  | 120                 | 33  | 130 | 200 | 32 | 18  | 11  | M24 | 41  |
| HM256-8245       |              |      | B            | 1295 | 657 | 305 | 263 | 614 | 382 | 45  | 335 | 642 | 830       | 480              | 630 | 580 | 720 | 50  | 45  | 128                 | 39  | 140 | 200 | 36 | 20  | 12  | M24 | 41  |
| HM256-8255       |              |      | B            | 1413 | 775 | 305 | 320 | 670 | 382 | 50  | 375 | 710 | 1150      | 520              | 670 | 630 | 780 | 55  | 55  | 140                 | 39  | 160 | 240 | 40 | 22  | 13  | M30 | 49  |

※ For brake model's dimension and weight, contact Varitron® or your sales personal. 如需附剎車款式，相關尺寸及重量請洽中國變速。

※ Dimensions in above drawings are subject to change without notice. 尺寸若有變動，將不另行通知。



# HM Single Stage Foot Mount Gearmotor 單段臥式腳座附馬達型

## Dimensions 外型尺寸表

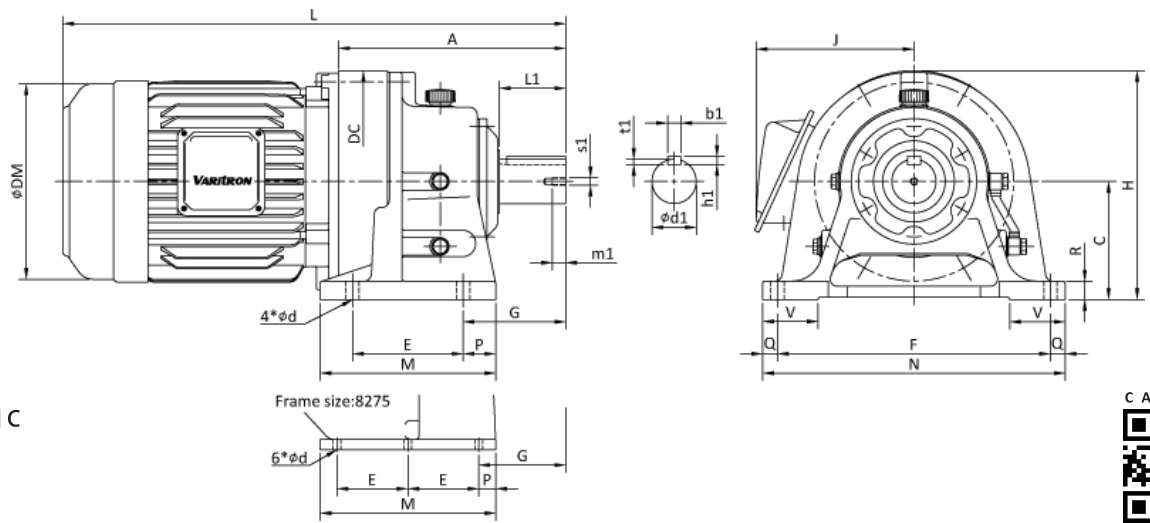


FIG.圖 C

| Frame Size<br>型號 | Motor<br>馬達<br>Hp<br>(kW) | Fig.<br>圖 | L    | A    | J    | G   | DC  | DM  | R   | C    | H    | W<br>(kg) | Foot Stock<br>腳座 |      |      |      |      |     |     | Output Shaft<br>出力軸 |     |     |     |    |     |     |     |    |
|------------------|---------------------------|-----------|------|------|------|-----|-----|-----|-----|------|------|-----------|------------------|------|------|------|------|-----|-----|---------------------|-----|-----|-----|----|-----|-----|-----|----|
|                  |                           |           |      |      |      |     |     |     |     |      |      |           | E                | F    | M    | N    | P    | Q   | V   | d                   | d1  | L1  | b1  | h1 | t1  | s1  | m1  |    |
| HM60-8205        | 60<br>(45)                | 4         | B    | 1187 | 502  | 362 | 215 | 448 | 458 | 35   | 250  | 477       | 360              | 440  | 440  | 530  | 40   | 45  | 100 | 26                  | 100 | 165 | 28  | 16 | 10  | M20 | 34  |    |
| HM60-8215        |                           |           | B    | 1211 | 526  | 362 | 210 | 485 | 458 | 40   | 265  | 508       | 650              | 395  | 480  | 475  | 580  | 40  | 50  | 110                 | 26  | 110 | 165 | 28 | 16  | 10  | M20 | 34 |
| HM60-8225        |                           |           | B    | 1251 | 566  | 362 | 230 | 526 | 458 | 40   | 280  | 543       | 755              | 420  | 540  | 520  | 620  | 50  | 40  | 115                 | 33  | 120 | 165 | 32 | 18  | 11  | M20 | 34 |
| HM606-8205       | 60<br>(45)                | 6         | B    | 1205 | 502  | 411 | 215 | 448 | 510 | 35   | 250  | 505       | 650              | 360  | 440  | 440  | 530  | 40  | 45  | 100                 | 26  | 100 | 165 | 28 | 16  | 10  | M20 | 34 |
| HM606-8215       |                           |           | B    | 1229 | 526  | 411 | 210 | 485 | 510 | 40   | 265  | 520       | 713              | 395  | 480  | 475  | 580  | 40  | 50  | 110                 | 26  | 110 | 165 | 28 | 16  | 10  | M20 | 34 |
| HM606-8225       |                           |           | B    | 1269 | 566  | 411 | 230 | 526 | 510 | 40   | 280  | 543       | 820              | 420  | 540  | 520  | 620  | 50  | 40  | 115                 | 33  | 120 | 165 | 32 | 18  | 11  | M20 | 34 |
| HM606-8235       |                           |           | B    | 1331 | 628  | 411 | 260 | 562 | 510 | 45   | 300  | 581       | 920              | 460  | 580  | 560  | 670  | 50  | 45  | 120                 | 33  | 130 | 200 | 32 | 18  | 11  | M24 | 41 |
| HM606-8245       |                           |           | B    | 1360 | 657  | 411 | 263 | 614 | 510 | 45   | 335  | 642       | 1050             | 480  | 630  | 580  | 720  | 50  | 45  | 128                 | 39  | 140 | 200 | 36 | 20  | 12  | M24 | 41 |
| HM606-8255       |                           |           | B    | 1478 | 775  | 411 | 320 | 670 | 510 | 50   | 375  | 710       | 1386             | 520  | 670  | 630  | 780  | 55  | 55  | 140                 | 39  | 160 | 240 | 40 | 22  | 13  | M30 | 49 |
| HM75-8215        | 75<br>(55)                | 4         | B    | 1229 | 526  | 411 | 210 | 485 | 510 | 40   | 265  | 520       | 713              | 395  | 480  | 475  | 580  | 40  | 50  | 110                 | 26  | 110 | 165 | 28 | 16  | 10  | M20 | 34 |
| HM75-8225        |                           |           | B    | 1270 | 566  | 411 | 230 | 526 | 510 | 40   | 280  | 543       | 820              | 420  | 540  | 520  | 620  | 50  | 40  | 115                 | 33  | 120 | 165 | 32 | 18  | 11  | M20 | 34 |
| HM756-8215       | 75<br>(55)                | 6         | B    | 1296 | 526  | 499 | 210 | 485 | 545 | 40   | 265  | 538       | 810              | 395  | 480  | 475  | 580  | 40  | 50  | 110                 | 26  | 110 | 165 | 28 | 16  | 10  | M20 | 34 |
| HM756-8225       |                           |           | B    | 1336 | 566  | 499 | 230 | 526 | 545 | 40   | 280  | 553       | 920              | 420  | 540  | 520  | 620  | 50  | 40  | 115                 | 33  | 120 | 165 | 32 | 18  | 11  | M20 | 34 |
| HM756-8235       |                           |           | B    | 1398 | 628  | 499 | 260 | 562 | 545 | 45   | 300  | 581       | 1020             | 460  | 580  | 560  | 670  | 50  | 45  | 120                 | 33  | 130 | 200 | 32 | 18  | 11  | M24 | 41 |
| HM756-8245       |                           |           | B    | 1427 | 657  | 499 | 263 | 614 | 545 | 45   | 335  | 642       | 1150             | 480  | 630  | 580  | 720  | 50  | 45  | 128                 | 39  | 140 | 200 | 36 | 20  | 12  | M24 | 41 |
| HM756-8255       |                           |           | B    | 1545 | 775  | 499 | 320 | 670 | 545 | 50   | 375  | 710       | 1480             | 520  | 670  | 630  | 780  | 55  | 55  | 140                 | 39  | 160 | 240 | 40 | 22  | 13  | M30 | 49 |
| HM756-8265       |                           |           | B    | 1677 | 892  | 499 | 390 | 736 | 545 | 55   | 400  | 768       | 1720             | 590  | 770  | 700  | 880  | 55  | 55  | 160                 | 45  | 170 | 300 | 40 | 22  | 13  | M30 | 49 |
| HM756-8275       | C                         | -         | 1146 | 499  | 485  | 950 | 545 | 60  | 540 | 1015 | 2960 | 420       | 1050             | 1040 | 1160 | 100  | 55   | 200 | 45  | 180                 | 330 | 45  | 25  | 15 | M30 | 52  |     |    |
| HM100-8225       | 100<br>(75)               | 4         | B    | 1336 | 566  | 499 | 230 | 526 | 545 | 40   | 280  | 553       | 920              | 420  | 540  | 520  | 620  | 50  | 40  | 115                 | 33  | 120 | 165 | 32 | 18  | 11  | M20 | 34 |
| HM1006-8235      | 100<br>(75)               | 6         | B    | -    | 628  | 499 | 260 | 562 | 545 | 45   | 300  | 581       | 1090             | 460  | 580  | 560  | 670  | 50  | 45  | 120                 | 33  | 130 | 200 | 32 | 18  | 11  | M24 | 41 |
| HM1006-8245      |                           |           | B    | -    | 657  | 499 | 263 | 614 | 545 | 45   | 335  | 642       | 1230             | 480  | 630  | 580  | 720  | 50  | 45  | 128                 | 39  | 140 | 200 | 36 | 20  | 12  | M24 | 41 |
| HM1006-8255      |                           |           | B    | -    | 775  | 499 | 320 | 670 | 545 | 50   | 375  | 710       | 1570             | 520  | 670  | 630  | 780  | 55  | 55  | 140                 | 39  | 160 | 240 | 40 | 22  | 13  | M30 | 49 |
| HM1006-8265      |                           |           | B    | -    | 892  | 499 | 390 | 736 | 545 | 55   | 400  | 768       | 1810             | 590  | 770  | 700  | 880  | 55  | 55  | 160                 | 45  | 170 | 300 | 40 | 22  | 13  | M30 | 49 |
| HM1006-8275      |                           |           | C    | -    | 1146 | 499 | 485 | 950 | 545 | 60   | 540  | 1015      | 3020             | 420  | 1050 | 1040 | 1160 | 100 | 55  | 200                 | 45  | 180 | 330 | 45 | 25  | 15  | M30 | 52 |
| HM1256-8245      | 125<br>(90)               | 6         | B    | -    | 657  | 610 | 263 | 614 | 610 | 45   | 335  | 642       | 1350             | 480  | 630  | 580  | 720  | 50  | 45  | 128                 | 39  | 140 | 200 | 36 | 20  | 12  | M24 | 41 |
| HM1256-8255      |                           |           | B    | -    | 775  | 610 | 320 | 670 | 610 | 50   | 375  | 710       | 1690             | 520  | 670  | 630  | 780  | 55  | 55  | 140                 | 39  | 160 | 240 | 40 | 22  | 13  | M30 | 49 |
| HM1256-8265      |                           |           | B    | -    | 892  | 610 | 390 | 736 | 610 | 55   | 400  | 768       | 1930             | 590  | 770  | 700  | 880  | 55  | 55  | 160                 | 45  | 170 | 300 | 40 | 22  | 13  | M30 | 49 |
| HM1256-8275      |                           |           | C    | -    | 1146 | 610 | 485 | 950 | 610 | 60   | 540  | 1015      | 3150             | 420  | 1050 | 1040 | 1160 | 100 | 55  | 200                 | 45  | 180 | 330 | 45 | 25  | 15  | M30 | 52 |

※ For brake model's dimension and weight, contact Varitron® or your sales personal. 如需附利車款式，相關尺寸及重量請洽中國變速。  
 ※ Dimensions in above drawings are subject to change without notice. 尺寸若有變動，將不另行通知。

# HM Double Stage Foot Mount Gearmotor 雙段臥式腳座附馬達型

## Dimensions 外型尺寸表

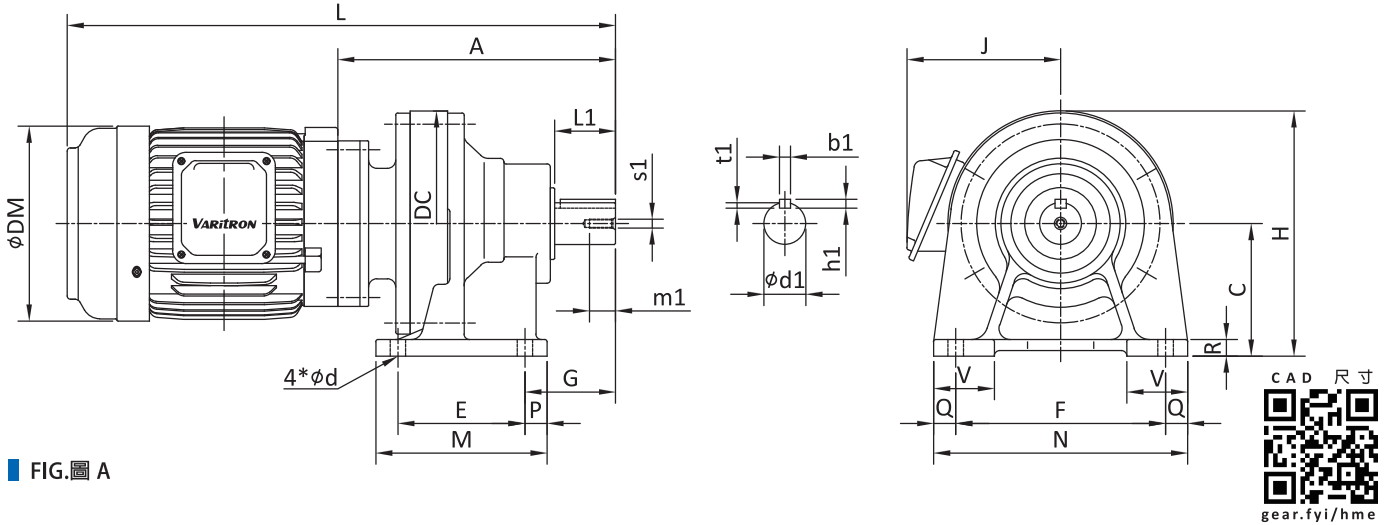


FIG.圖 A

| Frame Size<br>型號 | Motor<br>馬達   |   | Fig.<br>圖 | L   | A   | J   | G   | DC  | DM  | R   | C   | H   | W<br>(kg) | Foot Stock<br>腳座 |     |     |     |    |     | Output Shaft<br>出力軸 |     |     |    |    |     |     |     |    |
|------------------|---------------|---|-----------|-----|-----|-----|-----|-----|-----|-----|-----|-----|-----------|------------------|-----|-----|-----|----|-----|---------------------|-----|-----|----|----|-----|-----|-----|----|
|                  | Hp<br>(kW)    | P |           |     |     |     |     |     |     |     |     |     |           | E                | F   | M   | N   | P  | Q   | V                   | d   | d1  | L1 | b1 | h1  | t1  | s1  | m1 |
| HM05-8105DA      | 1/2<br>(0.37) | 4 | A         | 455 | 204 | 133 | 60  | 150 | 162 | 12  | 100 | 181 | 25        | 90               | 150 | 135 | 180 | 15 | 15  | 40                  | 11  | 28  | 35 | 8  | 7   | 4   | M8  | 20 |
| HM05-8125DA      |               |   | A         | 491 | 240 | 133 | 82  | 204 | 162 | 15  | 120 | 222 | 37        | 115              | 190 | 155 | 230 | 20 | 20  | 55                  | 14  | 38  | 55 | 10 | 8   | 5   | M8  | 20 |
| HM05-8125DB      |               |   | A         | 521 | 266 | 133 | 82  | 204 | 162 | 15  | 120 | 222 | 40        | 115              | 190 | 155 | 230 | 20 | 20  | 55                  | 14  | 38  | 55 | 10 | 8   | 5   | M8  | 20 |
| HM05-8135DB      |               |   | B         | 573 | 317 | 133 | 100 | 230 | 162 | 22  | 150 | 265 | 54        | 145              | 290 | 195 | 330 | 25 | 20  | 65                  | 18  | 50  | 70 | 14 | 9   | 5.5 | M10 | 18 |
| HM05-8135DC      |               | B | 575       | 317 | 133 | 100 | 230 | 162 | 22  | 150 | 265 | 54  | 145       | 290              | 195 | 330 | 25  | 20 | 65  | 18                  | 50  | 70  | 14 | 9  | 5.5 | M10 | 18  |    |
| HM05-8145DB      |               | B | 595       | 337 | 133 | 120 | 230 | 162 | 22  | 150 | 265 | 55  | 145       | 290              | 195 | 330 | 25  | 20 | 65  | 18                  | 50  | 90  | 14 | 9  | 5.5 | M10 | 18  |    |
| HM05-8145DC      |               | B | 595       | 337 | 133 | 120 | 230 | 162 | 22  | 150 | 265 | 55  | 145       | 290              | 195 | 330 | 25  | 20 | 65  | 18                  | 50  | 90  | 14 | 9  | 5.5 | M10 | 18  |    |
| HM05-8165DA      |               | B | 643       | 387 | 133 | 139 | 300 | 162 | 25  | 160 | 310 | 102 | 150       | 370              | 238 | 410 | 44  | 20 | 75  | 18                  | 60  | 90  | 18 | 11 | 7   | M10 | 18  |    |
| HM05-8165DB      |               | B | 643       | 387 | 133 | 139 | 300 | 162 | 25  | 160 | 310 | 104 | 150       | 370              | 238 | 410 | 44  | 20 | 75  | 18                  | 60  | 90  | 18 | 11 | 7   | M10 | 18  |    |
| HM05-8175DA      |               | B | 688       | 432 | 133 | 125 | 340 | 162 | 30  | 200 | 370 | 136 | 275       | 380              | 335 | 430 | 30  | 25 | 80  | 22                  | 70  | 90  | 20 | 12 | 7.5 | M12 | 24  |    |
| HM05-8175DB      |               | B | 688       | 432 | 133 | 125 | 340 | 162 | 30  | 200 | 370 | 136 | 275       | 380              | 335 | 430 | 30  | 25 | 80  | 22                  | 70  | 90  | 20 | 12 | 7.5 | M12 | 24  |    |
| HM05-8185DA      |               | B | 730       | 474 | 133 | 145 | 370 | 162 | 30  | 220 | 405 | 180 | 320       | 420              | 380 | 470 | 30  | 25 | 85  | 22                  | 80  | 110 | 22 | 14 | 9   | M12 | 24  |    |
| HM1-8125DB       | 1<br>(0.75)   | 4 | A         | 540 | 266 | 144 | 82  | 204 | 177 | 15  | 120 | 222 | 49        | 115              | 190 | 155 | 230 | 20 | 20  | 55                  | 14  | 38  | 55 | 10 | 8   | 5   | M8  | 20 |
| HM1-8135DB       |               |   | B         | 592 | 317 | 144 | 100 | 230 | 177 | 22  | 150 | 265 | 61        | 145              | 290 | 195 | 330 | 25 | 20  | 65                  | 18  | 50  | 70 | 14 | 9   | 5.5 | M10 | 18 |
| HM1-8135DC       |               |   | B         | 592 | 317 | 144 | 100 | 230 | 177 | 22  | 150 | 265 | 63        | 145              | 290 | 195 | 330 | 25 | 20  | 65                  | 18  | 50  | 70 | 14 | 9   | 5.5 | M10 | 18 |
| HM1-8145DB       |               |   | B         | 612 | 337 | 144 | 120 | 230 | 177 | 22  | 150 | 265 | 62        | 145              | 290 | 195 | 330 | 25 | 20  | 65                  | 18  | 50  | 90 | 14 | 9   | 5.5 | M10 | 18 |
| HM1-8145DC       |               | B | 612       | 337 | 144 | 120 | 230 | 177 | 22  | 150 | 265 | 64  | 145       | 290              | 195 | 330 | 25  | 20 | 65  | 18                  | 50  | 90  | 14 | 9  | 5.5 | M10 | 18  |    |
| HM1-8165DA       |               | B | 662       | 387 | 144 | 139 | 300 | 177 | 25  | 160 | 310 | 109 | 150       | 370              | 238 | 410 | 44  | 20 | 75  | 18                  | 60  | 90  | 18 | 11 | 7   | M10 | 18  |    |
| HM1-8165DB       |               | B | 662       | 387 | 144 | 139 | 300 | 177 | 25  | 160 | 310 | 111 | 150       | 370              | 238 | 410 | 44  | 20 | 75  | 18                  | 60  | 90  | 18 | 11 | 7   | M10 | 18  |    |
| HM1-8175DA       |               | B | 706       | 432 | 144 | 125 | 340 | 177 | 30  | 200 | 370 | 140 | 275       | 380              | 335 | 430 | 30  | 25 | 80  | 22                  | 70  | 90  | 20 | 12 | 7.5 | M12 | 24  |    |
| HM1-8175DB       |               | B | 706       | 432 | 144 | 125 | 340 | 177 | 30  | 200 | 370 | 143 | 275       | 380              | 335 | 430 | 30  | 25 | 80  | 22                  | 70  | 90  | 20 | 12 | 7.5 | M12 | 24  |    |
| HM1-8185DA       |               | B | 748       | 474 | 144 | 145 | 370 | 177 | 30  | 220 | 405 | 190 | 320       | 420              | 380 | 470 | 30  | 25 | 85  | 22                  | 80  | 110 | 22 | 14 | 9   | M12 | 24  |    |
| HM1-8195DA       |               | B | 830       | 556 | 144 | 170 | 430 | 177 | 35  | 250 | 465 | 265 | 380       | 480              | 440 | 530 | 30  | 25 | 90  | 26                  | 95  | 135 | 25 | 14 | 9   | M20 | 34  |    |
| HM1-8205DA       |               | B | 871       | 597 | 144 | 215 | 448 | 177 | 35  | 250 | 474 | 283 | 360       | 440              | 440 | 530 | 40  | 45 | 100 | 26                  | 100 | 165 | 28 | 16 | 10  | M20 | 34  |    |
| HM2-8135DC       | 2<br>(1.5)    | 4 | B         | 629 | 317 | 157 | 100 | 230 | 200 | 22  | 150 | 265 | 72        | 145              | 290 | 195 | 330 | 25 | 20  | 65                  | 18  | 50  | 70 | 14 | 9   | 5.5 | M10 | 18 |
| HM2-8145DC       |               |   | B         | 649 | 337 | 157 | 120 | 230 | 200 | 22  | 150 | 265 | 73        | 145              | 290 | 195 | 330 | 25 | 20  | 65                  | 18  | 50  | 90 | 14 | 9   | 5.5 | M10 | 18 |
| HM2-8165DB       |               |   | B         | 699 | 387 | 157 | 139 | 300 | 200 | 25  | 160 | 310 | 119       | 150              | 370 | 238 | 410 | 44 | 20  | 75                  | 18  | 60  | 90 | 18 | 11  | 7   | M10 | 18 |
| HM2-8165DC       |               |   | B         | 701 | 389 | 157 | 139 | 300 | 200 | 25  | 160 | 310 | 125       | 150              | 370 | 238 | 410 | 44 | 20  | 75                  | 18  | 60  | 90 | 18 | 11  | 7   | M10 | 18 |
| HM2-8175DB       |               | B | 743       | 432 | 157 | 125 | 340 | 200 | 30  | 200 | 370 | 154 | 275       | 380              | 335 | 430 | 30  | 25 | 80  | 22                  | 70  | 90  | 20 | 12 | 7.5 | M12 | 24  |    |
| HM2-8175DC       |               | B | 748       | 436 | 157 | 125 | 340 | 200 | 30  | 200 | 370 | 158 | 275       | 380              | 335 | 430 | 30  | 25 | 80  | 22                  | 70  | 90  | 20 | 12 | 7.5 | M12 | 24  |    |
| HM2-8185DA       |               | B | 785       | 474 | 157 | 145 | 370 | 200 | 30  | 220 | 405 | 196 | 320       | 420              | 380 | 470 | 30  | 25 | 85  | 22                  | 80  | 110 | 22 | 14 | 9   | M12 | 24  |    |
| HM2-8185DB       |               | B | 813       | 496 | 157 | 145 | 370 | 200 | 30  | 220 | 405 | 210 | 320       | 420              | 380 | 470 | 30  | 25 | 85  | 22                  | 80  | 110 | 22 | 14 | 9   | M12 | 24  |    |
| HM2-8195DA       |               | B | 867       | 556 | 157 | 170 | 430 | 200 | 35  | 250 | 465 | 285 | 380       | 480              | 440 | 530 | 30  | 25 | 90  | 26                  | 95  | 135 | 25 | 14 | 9   | M20 | 34  |    |
| HM2-8205DA       |               | B | 909       | 597 | 157 | 215 | 448 | 200 | 35  | 250 | 474 | 303 | 360       | 440              | 440 | 530 | 40  | 45 | 100 | 26                  | 100 | 165 | 28 | 16 | 10  | M20 | 34  |    |
| HM2-8215DA       |               | B | 967       | 650 | 157 | 210 | 485 | 200 | 40  | 265 | 508 | 397 | 395       | 480              | 475 | 580 | 40  | 50 | 110 | 26                  | 110 | 165 | 28 | 16 | 10  | M20 | 34  |    |
| HM2-8225DA       |               | B | 1609      | 692 | 157 | 230 | 526 | 200 | 40  | 280 | 543 | 471 | 420       | 540              | 520 | 620 | 50  | 40 | 115 | 33                  | 120 | 165 | 32 | 18 | 11  | M20 | 34  |    |

※ For brake model's dimension and weight, contact Varitron® or your sales personal. 如需附制車款式，相關尺寸及重量請洽中國變速。  
 ※ Dimensions in above drawings are subject to change without notice. 尺寸若有變動，將不另行通知。

# HM Double Stage Foot Mount Gearmotor 雙段臥式腳座附馬達型

## Dimensions 外型尺寸表

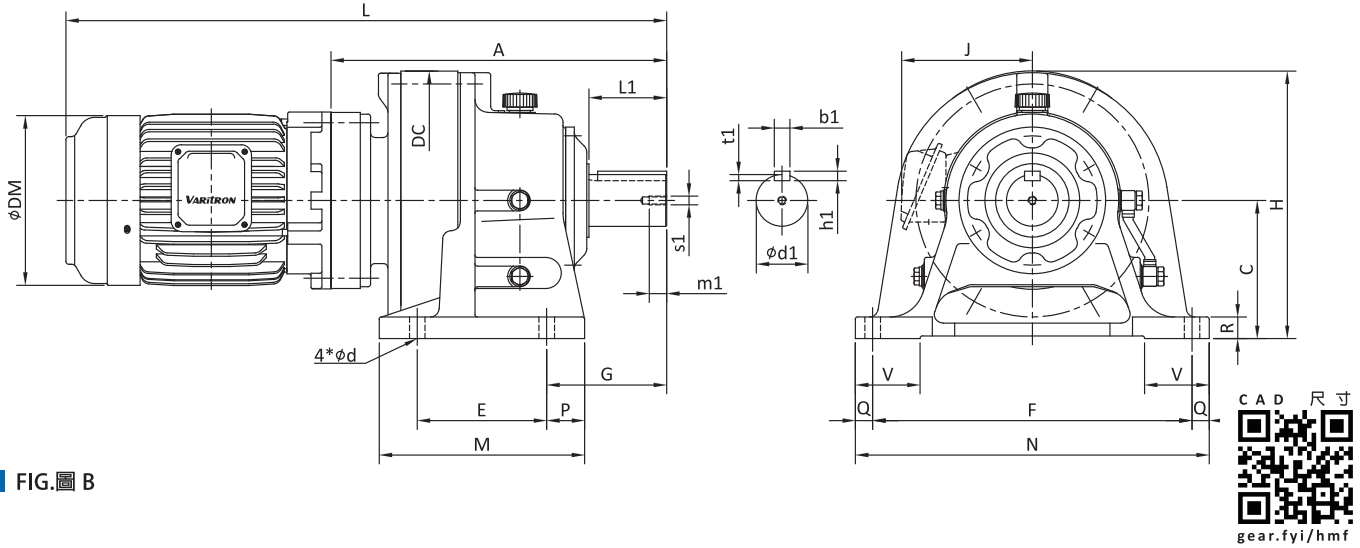


FIG.圖 B

| Frame Size<br>型號 | Motor<br>馬達 |      | Fig.<br>圖  | L    | A   | J   | G   | DC  | DM  | R   | C    | H   | W<br>(kg) | Foot Stock<br>腳座 |     |     |     |     |     | Output Shaft 出力軸 |     |     |     |    |     |     |     |     |     |    |
|------------------|-------------|------|------------|------|-----|-----|-----|-----|-----|-----|------|-----|-----------|------------------|-----|-----|-----|-----|-----|------------------|-----|-----|-----|----|-----|-----|-----|-----|-----|----|
|                  | Hp<br>(kW)  | P    |            |      |     |     |     |     |     |     |      |     |           | E                | F   | M   | N   | P   | Q   | V                | d   | d1  | L1  | b1 | h1  | t1  | s1  | m1  |     |    |
| HM3-8135DC       | 3<br>(2.2)  | 4    | B          | 657  | 317 | 180 | 100 | 230 | 219 | 22  | 150  | 265 | 81        | 145              | 290 | 195 | 330 | 25  | 20  | 65               | 18  | 50  | 70  | 14 | 9   | 5.5 | M10 | 18  |     |    |
| HM3-8145DC       |             |      | B          | 677  | 337 | 180 | 120 | 230 | 219 | 22  | 150  | 265 | 82        | 145              | 290 | 195 | 330 | 25  | 20  | 65               | 18  | 50  | 90  | 14 | 9   | 5.5 | M10 | 18  |     |    |
| HM3-8165DB       |             |      | B          | 727  | 387 | 180 | 139 | 300 | 219 | 25  | 160  | 310 | 126       | 150              | 370 | 238 | 410 | 44  | 20  | 75               | 18  | 60  | 90  | 18 | 11  | 7   | M10 | 18  |     |    |
| HM3-8165DC       |             |      | B          | 729  | 389 | 180 | 139 | 300 | 219 | 25  | 160  | 310 | 132       | 150              | 370 | 238 | 410 | 44  | 20  | 75               | 18  | 60  | 90  | 18 | 11  | 7   | M10 | 18  |     |    |
| HM3-8175DB       |             |      | B          | 772  | 432 | 180 | 125 | 340 | 219 | 30  | 200  | 370 | 161       | 275              | 380 | 335 | 430 | 30  | 25  | 80               | 22  | 70  | 90  | 20 | 12  | 7.5 | M12 | 24  |     |    |
| HM3-8175DC       |             |      | B          | 776  | 436 | 180 | 125 | 340 | 219 | 30  | 200  | 370 | 166       | 275              | 380 | 335 | 430 | 30  | 25  | 80               | 22  | 70  | 90  | 20 | 12  | 7.5 | M12 | 24  |     |    |
| HM3-8185DA       |             |      | B          | 814  | 474 | 180 | 145 | 370 | 219 | 30  | 220  | 405 | 203       | 320              | 420 | 380 | 470 | 30  | 25  | 85               | 22  | 80  | 110 | 22 | 14  | 9   | M12 | 24  |     |    |
| HM3-8185DB       |             |      | B          | 841  | 496 | 180 | 145 | 370 | 219 | 30  | 220  | 405 | 218       | 320              | 420 | 380 | 470 | 30  | 25  | 85               | 22  | 80  | 110 | 22 | 14  | 9   | M12 | 24  |     |    |
| HM3-8195DA       |             |      | B          | 896  | 556 | 180 | 170 | 430 | 219 | 35  | 250  | 465 | 278       | 380              | 480 | 440 | 530 | 30  | 25  | 90               | 26  | 95  | 135 | 25 | 14  | 9   | M20 | 34  |     |    |
| HM3-8195DB       |             |      | B          | 917  | 572 | 180 | 170 | 430 | 219 | 35  | 250  | 465 | 285       | 380              | 480 | 440 | 530 | 30  | 25  | 90               | 26  | 95  | 135 | 25 | 14  | 9   | M20 | 34  |     |    |
| HM3-8205DA       |             |      | B          | 937  | 597 | 180 | 215 | 448 | 219 | 35  | 250  | 474 | 297       | 360              | 440 | 440 | 530 | 40  | 45  | 100              | 26  | 100 | 165 | 28 | 16  | 10  | M20 | 34  |     |    |
| HM3-8205DB       |             |      | B          | 969  | 624 | 180 | 215 | 448 | 219 | 35  | 250  | 474 | 309       | 360              | 440 | 440 | 530 | 40  | 45  | 100              | 26  | 100 | 165 | 28 | 16  | 10  | M20 | 34  |     |    |
| HM3-8215DA       |             |      | B          | 995  | 650 | 180 | 210 | 485 | 219 | 40  | 265  | 508 | 391       | 395              | 480 | 475 | 580 | 40  | 50  | 110              | 26  | 110 | 165 | 28 | 16  | 10  | M20 | 34  |     |    |
| HM3-8225DA       |             |      | B          | 1037 | 692 | 180 | 230 | 526 | 219 | 40  | 280  | 543 | 465       | 420              | 540 | 520 | 620 | 50  | 40  | 115              | 33  | 120 | 165 | 32 | 18  | 11  | M20 | 34  |     |    |
| HM3-8235DA       |             |      | B          | 1123 | 778 | 180 | 260 | 562 | 219 | 45  | 300  | 581 | 583       | 460              | 580 | 560 | 670 | 50  | 45  | 120              | 33  | 130 | 200 | 32 | 18  | 11  | M24 | 41  |     |    |
| HM3-8245DA       |             |      | B          | 1161 | 816 | 180 | 263 | 614 | 219 | 45  | 335  | 642 | 692       | 480              | 630 | 580 | 720 | 50  | 45  | 128              | 39  | 140 | 200 | 36 | 20  | 12  | M24 | 41  |     |    |
| HM5-8165DC       |             |      | 5<br>(3.7) | 4    | B   | 745 | 389 | 189 | 139 | 300 | 238  | 25  | 160       | 310              | 142 | 150 | 370 | 238 | 410 | 44               | 20  | 75  | 18  | 60 | 90  | 18  | 11  | 7   | M10 | 18 |
| HM5-8175DC       |             |      |            |      | B   | 792 | 436 | 189 | 125 | 340 | 238  | 30  | 200       | 370              | 176 | 275 | 380 | 335 | 430 | 30               | 25  | 80  | 22  | 70 | 90  | 20  | 12  | 7.5 | M12 | 24 |
| HM5-8185DB       | B           | 857  |            |      | 496 | 189 | 145 | 370 | 238 | 30  | 220  | 405 | 228       | 320              | 420 | 380 | 470 | 30  | 25  | 85               | 22  | 80  | 110 | 22 | 14  | 9   | M12 | 24  |     |    |
| HM5-8195DA       | B           | 912  |            |      | 556 | 189 | 170 | 430 | 238 | 35  | 250  | 465 | 288       | 380              | 480 | 440 | 530 | 30  | 25  | 90               | 26  | 95  | 135 | 25 | 14  | 9   | M20 | 34  |     |    |
| HM5-8195DB       | B           | 933  |            |      | 572 | 189 | 170 | 430 | 238 | 35  | 250  | 465 | 295       | 380              | 480 | 440 | 530 | 30  | 25  | 90               | 26  | 95  | 135 | 25 | 14  | 9   | M20 | 34  |     |    |
| HM5-8205DB       | B           | 985  |            |      | 624 | 189 | 215 | 448 | 238 | 35  | 250  | 474 | 307       | 360              | 440 | 440 | 530 | 40  | 45  | 100              | 26  | 100 | 165 | 28 | 16  | 10  | M20 | 34  |     |    |
| HM5-8215DA       | B           | 1011 |            |      | 650 | 189 | 210 | 485 | 238 | 40  | 265  | 508 | 401       | 395              | 480 | 475 | 580 | 40  | 50  | 110              | 26  | 110 | 165 | 28 | 16  | 10  | M20 | 34  |     |    |
| HM5-8215DB       | B           | 1036 |            |      | 675 | 189 | 210 | 485 | 238 | 40  | 265  | 508 | 422       | 395              | 480 | 475 | 580 | 40  | 50  | 110              | 26  | 110 | 165 | 28 | 16  | 10  | M20 | 34  |     |    |
| HM5-8225DA       | B           | 1053 |            |      | 692 | 189 | 230 | 526 | 238 | 40  | 280  | 543 | 476       | 420              | 540 | 520 | 620 | 50  | 40  | 115              | 33  | 120 | 165 | 32 | 18  | 11  | M20 | 34  |     |    |
| HM5-8225DB       | B           | 1101 |            |      | 735 | 189 | 230 | 526 | 238 | 40  | 280  | 543 | 520       | 420              | 540 | 520 | 620 | 50  | 40  | 115              | 33  | 120 | 165 | 32 | 18  | 11  | M20 | 34  |     |    |
| HM5-8235DA       | B           | 1139 |            |      | 778 | 189 | 260 | 562 | 238 | 45  | 300  | 581 | 595       | 460              | 580 | 560 | 670 | 50  | 45  | 120              | 33  | 130 | 200 | 32 | 18  | 11  | M24 | 41  |     |    |
| HM5-8245DA       | B           | 1177 |            |      | 816 | 189 | 263 | 614 | 238 | 45  | 335  | 642 | 702       | 480              | 630 | 580 | 720 | 50  | 45  | 128              | 39  | 140 | 200 | 36 | 20  | 12  | M24 | 41  |     |    |
| HM5-8255DA       | B           | 1322 | 956        | 189  | 320 | 670 | 238 | 50  | 375 | 710 | 1057 | 520 | 670       | 630              | 780 | 55  | 55  | 140 | 39  | 160              | 240 | 40  | 22  | 13 | M30 | 49  |     |     |     |    |

※ For brake model's dimension and weight, contact Varitron® or your sales personal. 如需附剎車款式，相關尺寸及重量請洽中國變速。

※ Dimensions in above drawings are subject to change without notice. 尺寸若有變動，將不另行通知。



# HM Double Stage Foot Mount Gearmotor 雙段臥式腳座附馬達型

## Dimensions 外型尺寸表

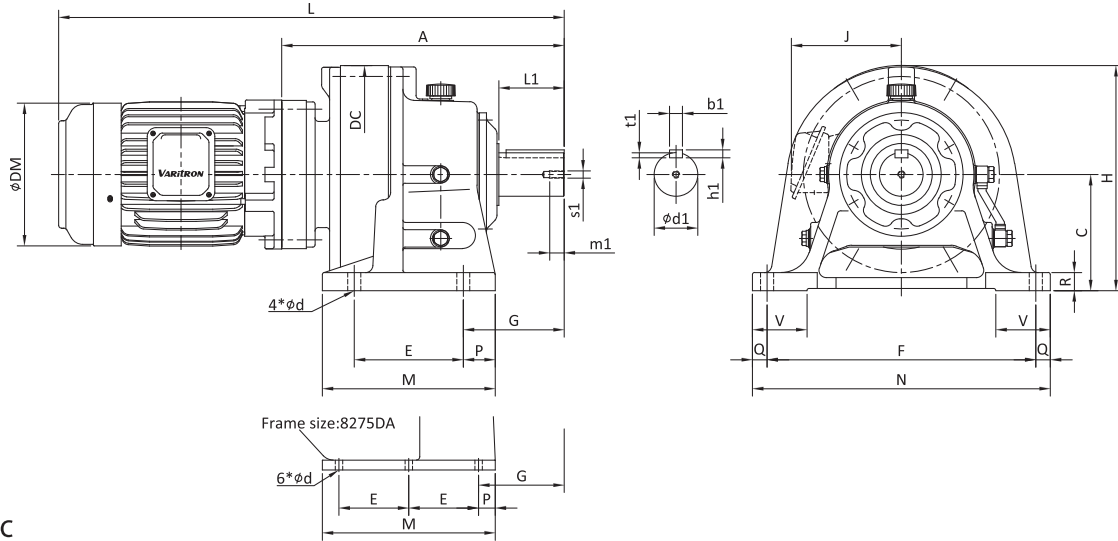


FIG.圖 C

| Frame Size<br>型號 | Motor<br>馬達<br>Hp<br>(kW) | P    | Fig.<br>圖 | L           | A    | J    | G    | DC  | DM  | R   | C   | H   | W<br>(kg) | Foot Stock<br>腳座 |     |      |      |      |     | Output Shaft 出力軸 |     |     |     |     |     |     |     |     |    |     |    |
|------------------|---------------------------|------|-----------|-------------|------|------|------|-----|-----|-----|-----|-----|-----------|------------------|-----|------|------|------|-----|------------------|-----|-----|-----|-----|-----|-----|-----|-----|----|-----|----|
|                  |                           |      |           |             |      |      |      |     |     |     |     |     |           | E                | F   | M    | N    | P    | Q   | V                | d   | d1  | L1  | b1  | h1  | t1  | s1  | m1  |    |     |    |
| HM8-8185DB       | 7½<br>(5.5)               | 4    | B         | 890         | 496  | 224  | 145  | 370 | 273 | 30  | 220 | 405 | 246       | 320              | 420 | 380  | 470  | 30   | 25  | 85               | 22  | 80  | 110 | 22  | 14  | 9   | M12 | 24  |    |     |    |
| HM8-8195DB       |                           |      |           | 966         | 572  | 224  | 170  | 430 | 273 | 35  | 250 | 465 | 313       | 380              | 480 | 440  | 530  | 30   | 25  | 90               | 26  | 95  | 135 | 25  | 14  | 9   | M20 | 34  |    |     |    |
| HM8-8205DB       |                           |      |           | 1018        | 624  | 224  | 215  | 448 | 273 | 35  | 250 | 474 | 337       | 360              | 440 | 440  | 530  | 40   | 45  | 100              | 26  | 100 | 165 | 28  | 16  | 10  | M20 | 34  |    |     |    |
| HM8-8215DA       |                           |      |           | 1044        | 650  | 224  | 210  | 485 | 273 | 40  | 265 | 508 | 419       | 395              | 480 | 475  | 580  | 40   | 50  | 110              | 26  | 110 | 165 | 28  | 16  | 10  | M20 | 34  |    |     |    |
| HM8-8215DB       |                           |      |           | 1079        | 675  | 224  | 210  | 485 | 273 | 40  | 265 | 508 | 439       | 395              | 480 | 475  | 580  | 40   | 50  | 110              | 26  | 110 | 165 | 28  | 16  | 10  | M20 | 34  |    |     |    |
| HM8-8225DA       |                           |      |           | 1086        | 692  | 224  | 230  | 526 | 273 | 40  | 280 | 543 | 493       | 420              | 540 | 520  | 620  | 50   | 40  | 115              | 33  | 120 | 165 | 32  | 18  | 22  | M20 | 34  |    |     |    |
| HM8-8225DB       |                           |      |           | 1139        | 735  | 224  | 230  | 526 | 273 | 40  | 280 | 543 | 540       | 420              | 540 | 520  | 620  | 50   | 40  | 115              | 33  | 120 | 165 | 32  | 18  | 11  | M20 | 34  |    |     |    |
| HM8-8235DA       |                           |      |           | 1182        | 778  | 224  | 260  | 562 | 273 | 45  | 300 | 581 | 610       | 460              | 580 | 560  | 670  | 50   | 45  | 120              | 33  | 130 | 200 | 32  | 18  | 11  | M24 | 41  |    |     |    |
| HM8-8245DA       |                           |      |           | 1220        | 816  | 224  | 263  | 614 | 273 | 45  | 335 | 642 | 727       | 480              | 630 | 580  | 720  | 50   | 45  | 128              | 39  | 140 | 200 | 36  | 20  | 12  | M24 | 41  |    |     |    |
| HM8-8255DA       |                           |      |           | 1360        | 956  | 224  | 320  | 670 | 273 | 50  | 375 | 710 | 1080      | 520              | 670 | 630  | 780  | 55   | 55  | 140              | 39  | 160 | 240 | 40  | 22  | 13  | M30 | 49  |    |     |    |
| HM8-8265DA       |                           |      |           | 1492        | 1088 | 224  | 390  | 736 | 273 | 55  | 400 | 768 | 1410      | 590              | 770 | 700  | 880  | 55   | 55  | 160              | 45  | 170 | 300 | 40  | 22  | 13  | M30 | 49  |    |     |    |
| HM10-8185DB      |                           |      |           | 10<br>(7.5) | 4    | B    | 928  | 496 | 224 | 145 | 370 | 273 | 30        | 220              | 405 | 258  | 320  | 420  | 380 | 470              | 30  | 25  | 85  | 22  | 80  | 110 | 22  | 14  | 9  | M12 | 24 |
| HM10-8195DB      |                           |      |           |             |      |      | 1004 | 572 | 224 | 170 | 430 | 273 | 35        | 250              | 465 | 325  | 380  | 480  | 440 | 530              | 30  | 25  | 90  | 26  | 95  | 135 | 25  | 14  | 9  | M20 | 34 |
| HM10-8205DB      |                           |      |           |             |      |      | 1056 | 624 | 224 | 215 | 448 | 273 | 35        | 250              | 474 | 349  | 360  | 440  | 440 | 530              | 40  | 45  | 100 | 26  | 100 | 165 | 28  | 16  | 10 | M20 | 34 |
| HM10-8215DA      | 1087                      | 650  | 224       |             |      |      | 210  | 485 | 273 | 40  | 265 | 508 | 430       | 395              | 480 | 475  | 580  | 40   | 50  | 110              | 26  | 110 | 165 | 28  | 16  | 10  | M20 | 34  |    |     |    |
| HM10-8215DB      | 1177                      | 675  | 224       |             |      |      | 210  | 485 | 273 | 40  | 265 | 508 | 451       | 395              | 480 | 475  | 580  | 40   | 50  | 110              | 26  | 110 | 165 | 28  | 16  | 10  | M20 | 34  |    |     |    |
| HM10-8225DA      | 1124                      | 692  | 224       |             |      |      | 230  | 526 | 273 | 40  | 280 | 543 | 505       | 420              | 540 | 520  | 620  | 50   | 40  | 115              | 33  | 120 | 165 | 32  | 18  | 22  | M20 | 34  |    |     |    |
| HM10-8225DB      | 1177                      | 735  | 224       |             |      |      | 230  | 526 | 273 | 40  | 280 | 543 | 550       | 420              | 540 | 520  | 620  | 50   | 40  | 115              | 33  | 120 | 165 | 32  | 18  | 11  | M20 | 34  |    |     |    |
| HM10-8235DA      | 1220                      | 778  | 224       |             |      |      | 260  | 562 | 273 | 45  | 300 | 581 | 622       | 460              | 580 | 560  | 670  | 50   | 45  | 120              | 33  | 130 | 200 | 32  | 18  | 11  | M24 | 41  |    |     |    |
| HM10-8245DA      | 1258                      | 816  | 224       |             |      |      | 263  | 614 | 273 | 45  | 335 | 642 | 740       | 480              | 630 | 580  | 720  | 50   | 45  | 128              | 39  | 140 | 200 | 36  | 20  | 12  | M24 | 41  |    |     |    |
| HM10-8255DA      | 1398                      | 956  | 224       |             |      |      | 320  | 670 | 273 | 50  | 375 | 710 | 1095      | 520              | 670 | 630  | 780  | 55   | 55  | 140              | 39  | 160 | 240 | 40  | 22  | 13  | M30 | 49  |    |     |    |
| HM10-8265DA      | 1530                      | 1088 | 224       |             |      |      | 390  | 736 | 273 | 55  | 400 | 768 | 1420      | 590              | 770 | 700  | 880  | 55   | 55  | 160              | 45  | 170 | 300 | 40  | 22  | 13  | M30 | 49  |    |     |    |
| HM10-8275DA      | C                         | 1791 | 1349      |             |      |      | 224  | 485 | 950 | 273 | 60  | 540 | 1015      | 2560             | 420 | 1050 | 1040 | 1160 | 100 | 55               | 200 | 45  | 180 | 330 | 45  | 25  | 15  | M30 | 52 |     |    |
| HM15-8215DB      | 15<br>(11)                | 4    | B         |             |      |      | 1185 | 675 | 263 | 210 | 485 | 334 | 40        | 265              | 508 | 495  | 395  | 480  | 475 | 580              | 40  | 50  | 110 | 26  | 110 | 165 | 28  | 16  | 10 | M20 | 34 |
| HM15-8225DB      |                           |      |           |             |      |      | 1245 | 735 | 263 | 230 | 526 | 334 | 40        | 280              | 543 | 595  | 420  | 540  | 520 | 620              | 50  | 40  | 115 | 33  | 120 | 165 | 32  | 18  | 11 | M20 | 34 |
| HM15-8235DA      |                           |      |           | 1288        | 778  | 263  | 260  | 562 | 334 | 45  | 300 | 581 | 667       | 460              | 580 | 560  | 670  | 50   | 45  | 120              | 33  | 130 | 200 | 32  | 18  | 11  | M24 | 41  |    |     |    |
| HM15-8235DB      |                           |      |           | 1310        | 800  | 263  | 260  | 562 | 334 | 45  | 300 | 581 | 699       | 460              | 580 | 560  | 670  | 50   | 45  | 120              | 33  | 130 | 200 | 32  | 18  | 11  | M24 | 41  |    |     |    |
| HM15-8245DA      |                           |      |           | 1326        | 816  | 263  | 263  | 614 | 334 | 45  | 335 | 642 | 785       | 480              | 630 | 580  | 720  | 50   | 45  | 128              | 39  | 140 | 200 | 36  | 20  | 12  | M24 | 41  |    |     |    |
| HM15-8245DB      |                           |      |           | 1347        | 837  | 263  | 263  | 614 | 334 | 45  | 335 | 642 | 810       | 480              | 630 | 580  | 720  | 50   | 45  | 128              | 39  | 140 | 200 | 36  | 20  | 12  | M24 | 41  |    |     |    |
| HM15-8255DA      |                           |      |           | 1466        | 956  | 263  | 320  | 670 | 334 | 50  | 375 | 710 | 1140      | 520              | 670 | 630  | 780  | 55   | 55  | 140              | 39  | 160 | 240 | 40  | 22  | 13  | M30 | 49  |    |     |    |
| HM15-8255DB      |                           |      |           | 1488        | 978  | 263  | 320  | 670 | 334 | 50  | 375 | 710 | 1212      | 520              | 670 | 630  | 780  | 55   | 55  | 140              | 39  | 160 | 240 | 40  | 22  | 13  | M30 | 49  |    |     |    |
| HM15-8265DA      |                           |      |           | B           | 1598 | 1088 | 263  | 390 | 736 | 334 | 55  | 400 | 768       | 1465             | 590 | 770  | 700  | 880  | 55  | 55               | 160 | 45  | 170 | 300 | 40  | 22  | 13  | M30 | 49 |     |    |
| HM15-8275DA      |                           |      |           | C           | 1859 | 1349 | 263  | 485 | 950 | 334 | 60  | 540 | 1015      | 2600             | 420 | 1050 | 1040 | 1160 | 100 | 55               | 200 | 45  | 180 | 330 | 45  | 25  | 15  | M30 | 52 |     |    |

※ For brake model's dimension and weight, contact Varitron® or your sales personal. 如需附剎車款式，相關尺寸及重量請洽中國變速。

※ Dimensions in above drawings are subject to change without notice. 尺寸若有變動，將不另行通知。



# HM Double Stage Foot Mount Gearmotor 雙段臥式腳座附馬達型

## Dimensions 外型尺寸表

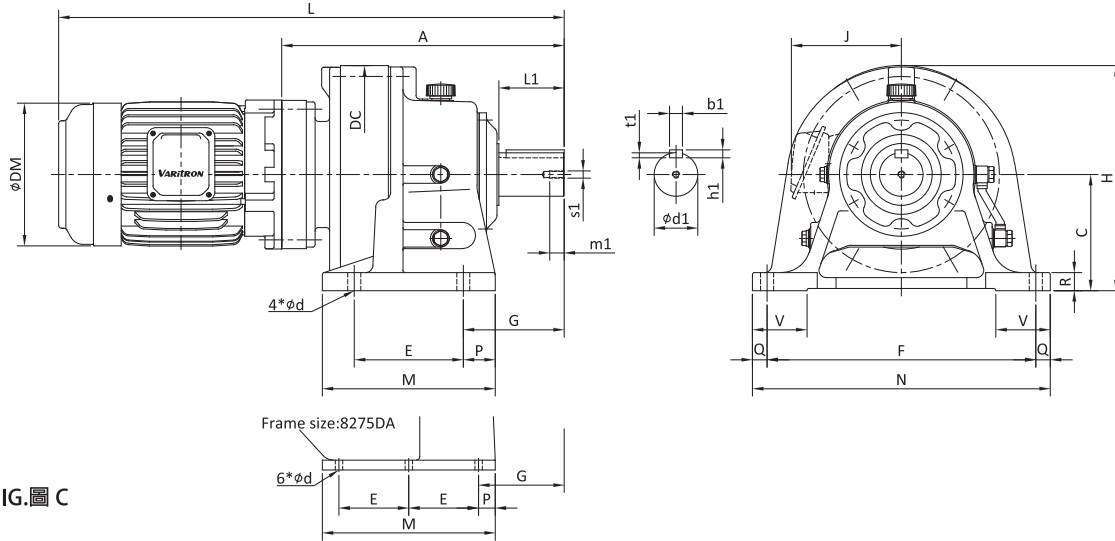


FIG.圖 C



| Frame Size<br>型號 | Motor<br>馬達<br>Hp<br>(kW) | Fig.<br>圖 | L | A    | J    | G   | DC  | DM  | R   | C  | H   | W<br>(kg) | Foot Stock<br>腳座 |     |      |      |      |     |    | Output Shaft 出力軸 |    |     |     |    |    |    |     |    |
|------------------|---------------------------|-----------|---|------|------|-----|-----|-----|-----|----|-----|-----------|------------------|-----|------|------|------|-----|----|------------------|----|-----|-----|----|----|----|-----|----|
|                  |                           |           |   |      |      |     |     |     |     |    |     |           | E                | F   | M    | N    | P    | Q   | V  | d                | d1 | L1  | b1  | h1 | t1 | s1 | m1  |    |
| HM20-8215DB      | 20<br>(15)                | 4         | B | 1229 | 675  | 305 | 210 | 485 | 382 | 40 | 265 | 508       | 510              | 395 | 480  | 475  | 580  | 40  | 50 | 110              | 26 | 110 | 165 | 28 | 16 | 10 | M20 | 34 |
| HM20-8225DB      |                           |           | B | 1289 | 735  | 305 | 230 | 526 | 382 | 40 | 280 | 543       | 610              | 420 | 540  | 520  | 620  | 50  | 40 | 115              | 33 | 120 | 165 | 32 | 18 | 11 | M20 | 34 |
| HM20-8235DA      |                           |           | B | 1332 | 778  | 305 | 260 | 562 | 382 | 45 | 300 | 581       | 681              | 460 | 580  | 560  | 670  | 50  | 45 | 120              | 33 | 130 | 200 | 32 | 18 | 11 | M24 | 41 |
| HM20-8235DB      |                           |           | B | 1354 | 800  | 305 | 260 | 562 | 382 | 45 | 300 | 581       | 713              | 460 | 580  | 560  | 670  | 50  | 45 | 120              | 33 | 130 | 200 | 32 | 18 | 11 | M24 | 41 |
| HM20-8245DA      |                           |           | B | 1370 | 816  | 305 | 263 | 614 | 382 | 45 | 335 | 642       | 800              | 480 | 630  | 580  | 720  | 50  | 45 | 128              | 39 | 140 | 200 | 36 | 20 | 12 | M24 | 41 |
| HM20-8245DB      |                           |           | B | 1391 | 837  | 305 | 263 | 614 | 382 | 45 | 335 | 642       | 824              | 480 | 630  | 580  | 720  | 50  | 45 | 128              | 39 | 140 | 200 | 36 | 20 | 12 | M24 | 41 |
| HM20-8255DA      |                           |           | B | 1510 | 956  | 305 | 320 | 670 | 382 | 50 | 375 | 710       | 1155             | 520 | 670  | 630  | 780  | 55  | 55 | 140              | 39 | 160 | 240 | 40 | 22 | 13 | M30 | 49 |
| HM20-8255DB      |                           |           | B | 1532 | 978  | 305 | 320 | 670 | 382 | 50 | 375 | 710       | 1226             | 520 | 670  | 630  | 780  | 55  | 55 | 140              | 39 | 160 | 240 | 40 | 22 | 13 | M30 | 49 |
| HM20-8265DA      |                           |           | B | 1642 | 1088 | 305 | 390 | 736 | 382 | 55 | 400 | 768       | 1480             | 590 | 770  | 700  | 880  | 55  | 55 | 160              | 45 | 170 | 300 | 40 | 22 | 13 | M30 | 49 |
| HM20-8275DA      |                           |           | C | 1903 | 1349 | 305 | 485 | 950 | 382 | 60 | 540 | 1015      | 2615             | 420 | 1050 | 1040 | 1160 | 100 | 55 | 200              | 45 | 180 | 330 | 45 | 25 | 15 | M30 | 52 |
| HM25-8225DB      | 25<br>(18.5)              | 4         | B | 1300 | 735  | 305 | 230 | 526 | 382 | 40 | 280 | 543       | 665              | 420 | 540  | 520  | 620  | 50  | 40 | 115              | 33 | 120 | 165 | 32 | 18 | 11 | M20 | 34 |
| HM25-8235DB      |                           |           | B | 1370 | 800  | 305 | 260 | 562 | 382 | 45 | 300 | 581       | 768              | 460 | 580  | 560  | 670  | 50  | 45 | 120              | 33 | 130 | 200 | 32 | 18 | 11 | M24 | 41 |
| HM25-8245DB      |                           |           | B | 1407 | 837  | 305 | 263 | 614 | 382 | 45 | 335 | 642       | 880              | 480 | 630  | 580  | 720  | 50  | 45 | 128              | 39 | 140 | 200 | 36 | 20 | 12 | M24 | 41 |
| HM25-8255DA      |                           |           | B | 1521 | 956  | 305 | 320 | 670 | 382 | 50 | 375 | 710       | 1210             | 520 | 670  | 630  | 780  | 55  | 55 | 140              | 39 | 160 | 240 | 40 | 22 | 13 | M30 | 49 |
| HM25-8255DB      |                           |           | B | 1548 | 978  | 305 | 320 | 670 | 382 | 50 | 375 | 710       | 1280             | 520 | 670  | 630  | 780  | 55  | 55 | 140              | 39 | 160 | 240 | 40 | 22 | 13 | M30 | 49 |
| HM25-8265DA      |                           |           | B | 1658 | 1088 | 305 | 390 | 736 | 382 | 55 | 400 | 768       | 1535             | 590 | 770  | 700  | 880  | 55  | 55 | 160              | 45 | 170 | 300 | 40 | 22 | 13 | M30 | 49 |
| HM25-8275DA      |                           |           | C | 1919 | 1349 | 305 | 485 | 950 | 382 | 60 | 540 | 1015      | 2670             | 420 | 1050 | 1040 | 1160 | 100 | 55 | 200              | 45 | 180 | 330 | 45 | 25 | 15 | M30 | 52 |
| HM30-8225DB      | 30<br>(22)                | 4         | B | 1300 | 735  | 305 | 230 | 526 | 382 | 40 | 280 | 543       | 665              | 420 | 540  | 520  | 620  | 50  | 40 | 115              | 33 | 120 | 165 | 32 | 18 | 11 | M20 | 34 |
| HM30-8235DB      |                           |           | B | 1370 | 800  | 305 | 260 | 562 | 382 | 45 | 300 | 581       | 768              | 460 | 580  | 560  | 670  | 50  | 45 | 120              | 33 | 130 | 200 | 32 | 18 | 11 | M24 | 41 |
| HM30-8245DB      |                           |           | B | 1407 | 837  | 305 | 263 | 614 | 382 | 45 | 335 | 642       | 880              | 480 | 630  | 580  | 720  | 50  | 45 | 128              | 39 | 140 | 200 | 36 | 20 | 12 | M24 | 41 |
| HM30-8255DA      |                           |           | B | 1521 | 956  | 305 | 320 | 670 | 382 | 50 | 375 | 710       | 1210             | 520 | 670  | 630  | 780  | 55  | 55 | 140              | 39 | 160 | 240 | 40 | 22 | 13 | M30 | 49 |
| HM30-8255DB      |                           |           | B | 1548 | 978  | 305 | 320 | 670 | 382 | 50 | 375 | 710       | 1280             | 520 | 670  | 630  | 780  | 55  | 55 | 140              | 39 | 160 | 240 | 40 | 22 | 13 | M30 | 49 |
| HM30-8265DA      |                           |           | B | 1658 | 1088 | 305 | 390 | 736 | 382 | 55 | 400 | 768       | 1535             | 590 | 770  | 700  | 880  | 55  | 55 | 160              | 45 | 170 | 300 | 40 | 22 | 13 | M30 | 49 |
| HM30-8275DA      |                           |           | C | 1919 | 1349 | 305 | 485 | 950 | 382 | 60 | 540 | 1015      | 2670             | 420 | 1050 | 1040 | 1160 | 100 | 55 | 200              | 45 | 180 | 330 | 45 | 25 | 15 | M30 | 52 |
| HM40-8225DB      | 40<br>(30)                | 4         | B | 1338 | 735  | 305 | 230 | 526 | 382 | 40 | 280 | 543       | 688              | 420 | 540  | 520  | 620  | 50  | 40 | 115              | 33 | 120 | 165 | 32 | 18 | 11 | M20 | 34 |
| HM40-8235DB      |                           |           | B | 1408 | 800  | 305 | 260 | 562 | 382 | 45 | 300 | 581       | 790              | 460 | 580  | 560  | 670  | 50  | 45 | 120              | 33 | 130 | 200 | 32 | 18 | 11 | M24 | 41 |
| HM40-8245DB      |                           |           | B | 1445 | 837  | 305 | 263 | 614 | 382 | 45 | 335 | 642       | 903              | 480 | 630  | 580  | 720  | 50  | 45 | 128              | 39 | 140 | 200 | 36 | 20 | 12 | M24 | 41 |
| HM40-8255DA      |                           |           | B | 1559 | 956  | 305 | 320 | 670 | 382 | 50 | 375 | 710       | 1233             | 520 | 670  | 630  | 780  | 55  | 55 | 140              | 39 | 160 | 240 | 40 | 22 | 13 | M30 | 49 |
| HM40-8255DB      |                           |           | B | 1586 | 978  | 305 | 320 | 670 | 382 | 50 | 375 | 710       | 1303             | 520 | 670  | 630  | 780  | 55  | 55 | 140              | 39 | 160 | 240 | 40 | 22 | 13 | M30 | 49 |
| HM40-8265DA      |                           |           | B | 1696 | 1088 | 305 | 390 | 736 | 382 | 55 | 400 | 768       | 1558             | 590 | 770  | 700  | 880  | 55  | 55 | 160              | 45 | 170 | 300 | 40 | 22 | 13 | M30 | 49 |
| HM40-8275DA      |                           |           | C | 1957 | 1349 | 305 | 485 | 950 | 382 | 60 | 540 | 1015      | 2700             | 420 | 1050 | 1040 | 1160 | 100 | 55 | 200              | 45 | 180 | 330 | 45 | 25 | 15 | M30 | 52 |
| HM50-8245DB      | 50<br>(37)                | 4         | B | 1507 | 837  | 362 | 263 | 614 | 458 | 45 | 335 | 642       | 1005             | 480 | 630  | 580  | 720  | 50  | 45 | 128              | 39 | 140 | 200 | 36 | 20 | 12 | M24 | 41 |
| HM50-8255DB      |                           |           | B | 1653 | 978  | 362 | 320 | 670 | 458 | 50 | 375 | 710       | 1405             | 520 | 670  | 630  | 780  | 55  | 55 | 140              | 39 | 160 | 240 | 40 | 22 | 13 | M30 | 49 |
| HM50-8265DA      |                           |           | B | 1763 | 1088 | 362 | 390 | 736 | 458 | 55 | 400 | 768       | 1660             | 590 | 770  | 700  | 880  | 55  | 55 | 160              | 45 | 170 | 300 | 40 | 22 | 13 | M30 | 49 |
| HM50-8275DA      |                           |           | C | 2024 | 1349 | 362 | 485 | 950 | 458 | 60 | 540 | 1015      | 2800             | 420 | 1050 | 1040 | 1160 | 100 | 55 | 200              | 45 | 180 | 330 | 45 | 25 | 15 | M30 | 52 |
| HM60-8265DA      | 60<br>(45)                | 4         | B | 1763 | 1088 | 362 | 390 | 736 | 458 | 55 | 400 | 768       | 1660             | 590 | 770  | 700  | 880  | 55  | 55 | 160              | 45 | 170 | 300 | 40 | 22 | 13 | M30 | 49 |
| HM60-8275DA      |                           |           | C | 2024 | 1349 | 362 | 485 | 950 | 458 | 60 | 540 | 1015      | 2800             | 420 | 1050 | 1040 | 1160 | 100 | 55 | 200              | 45 | 180 | 330 | 45 | 25 | 15 | M30 | 52 |

\* For brake model's dimension and weight, contact Varitron® or your sales personal. 如需附剎車款式，相關尺寸及重量請洽中國變速。  
 \* Dimensions in above drawings are subject to change without notice. 尺寸若有變動，將不另行通知。

# HX Single Stage Foot Mount Reducer with IEC/NEMA Adaptor 單段臥式腳座型附入力法蘭

## Dimensions 外型尺寸表

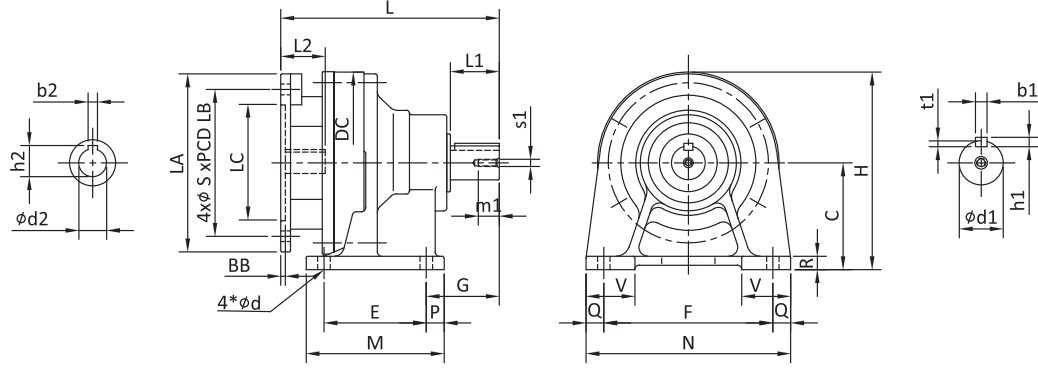


FIG. 圖 A

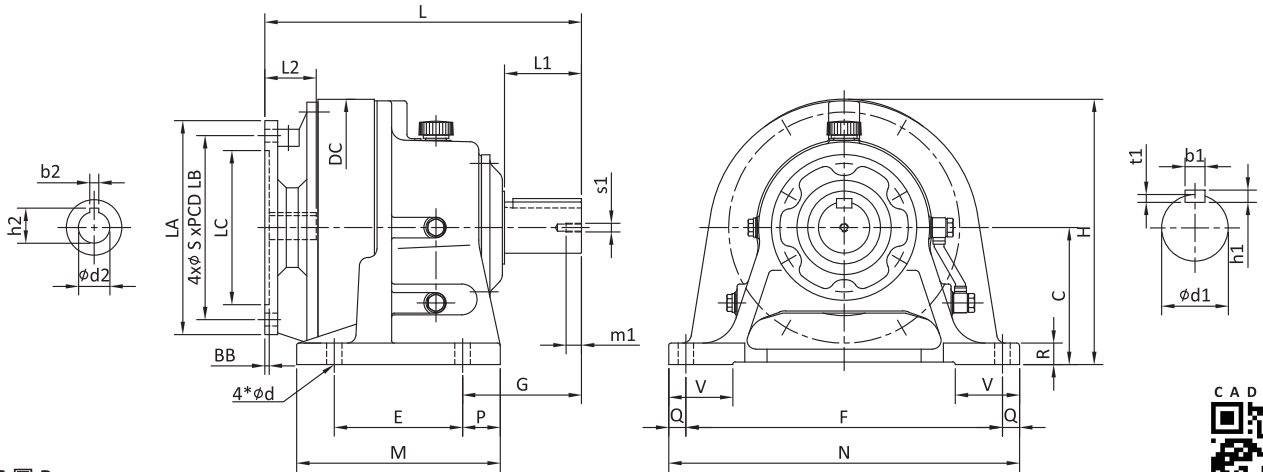


FIG. 圖 B



| Frame Size<br>型號 | Motor<br>馬達<br>Hp P | Fig.<br>圖 | L   | G   | DC  | R   | C   | H   | Foot Stock<br>腳座 |     |     |     |    |    |    | IEC Motor Flange<br>馬達盤 |     |     |     |    | Input Bore<br>入力孔 |    |    |      | Output Shaft<br>出力軸 |    |    |    |     |     |     |    |
|------------------|---------------------|-----------|-----|-----|-----|-----|-----|-----|------------------|-----|-----|-----|----|----|----|-------------------------|-----|-----|-----|----|-------------------|----|----|------|---------------------|----|----|----|-----|-----|-----|----|
|                  |                     |           |     |     |     |     |     |     | E                | F   | M   | N   | P  | Q  | V  | d                       | LA  | LB  | LC  | BB | S                 | d2 | b2 | h2   | L2                  | d1 | L1 | b1 | h1  | t1  | s1  | m1 |
| HX05-8090        | 1/2 (1/4) 4 (6)     | A         | 199 | 60  | 150 | 12  | 100 | 180 | 90               | 150 | 135 | 180 | 15 | 15 | 40 | 11                      | 160 | 130 | 110 | 4  | 10                | 14 | 5  | 17   | 30                  | 28 | 35 | 8  | 7   | 4   | M8  | 20 |
| HX05-8105        |                     | A         | 199 | 60  | 150 | 12  | 100 | 180 | 90               | 150 | 135 | 180 | 15 | 15 | 40 | 11                      | 160 | 130 | 110 | 4  | 10                | 14 | 5  | 17   | 30                  | 28 | 35 | 8  | 7   | 4   | M8  | 20 |
| HX05-8125        |                     | A         | 246 | 82  | 204 | 15  | 120 | 222 | 115              | 190 | 155 | 230 | 20 | 20 | 55 | 14                      | 160 | 130 | 110 | 4  | 10                | 14 | 5  | 17   | 30                  | 38 | 55 | 10 | 8   | 5   | M8  | 20 |
| HX1-8090         | 1 (1/2) 4 (6)       | A         | 216 | 60  | 150 | 12  | 100 | 200 | 90               | 150 | 135 | 180 | 15 | 15 | 40 | 11                      | 200 | 165 | 130 | 5  | 12                | 19 | 6  | 22   | 40                  | 28 | 35 | 8  | 7   | 4   | M8  | 20 |
| HX1-8105         |                     | A         | 216 | 60  | 150 | 12  | 100 | 200 | 90               | 150 | 135 | 180 | 15 | 15 | 40 | 11                      | 200 | 165 | 130 | 5  | 12                | 19 | 6  | 22   | 40                  | 28 | 35 | 8  | 7   | 4   | M8  | 20 |
| HX1-8125         |                     | A         | 246 | 82  | 204 | 15  | 120 | 222 | 115              | 190 | 155 | 230 | 20 | 20 | 55 | 14                      | 200 | 165 | 130 | 5  | 12                | 19 | 6  | 22   | 40                  | 38 | 55 | 10 | 8   | 5   | M8  | 20 |
| HX1-8135         |                     | B         | 295 | 100 | 230 | 22  | 150 | 265 | 145              | 290 | 195 | 330 | 25 | 20 | 65 | 18                      | 200 | 165 | 130 | 5  | 12                | 19 | 6  | 22   | 40                  | 50 | 70 | 14 | 9   | 5.5 | M10 | 18 |
| HX1-8145         | B                   | 315       | 120 | 230 | 22  | 150 | 265 | 145 | 290              | 195 | 330 | 25  | 20 | 65 | 18 | 200                     | 165 | 130 | 5   | 12 | 19                | 6  | 22 | 40   | 50                  | 90 | 14 | 9  | 5.5 | M10 | 18  |    |
| HX2-8105         | 2 (1) 4 (6)         | A         | 216 | 60  | 150 | 12  | 100 | 200 | 90               | 150 | 135 | 180 | 15 | 15 | 40 | 11                      | 200 | 165 | 130 | 5  | 12                | 24 | 8  | 27.5 | 50                  | 28 | 35 | 8  | 7   | 4   | M8  | 20 |
| HX2-8125         |                     | A         | 246 | 82  | 204 | 15  | 120 | 222 | 115              | 190 | 155 | 230 | 20 | 20 | 55 | 14                      | 200 | 165 | 130 | 5  | 12                | 24 | 8  | 27.5 | 50                  | 38 | 55 | 10 | 8   | 5   | M8  | 20 |
| HX2-8135         |                     | B         | 295 | 100 | 230 | 22  | 150 | 265 | 145              | 290 | 195 | 330 | 25 | 20 | 65 | 18                      | 200 | 165 | 130 | 5  | 12                | 24 | 8  | 27.5 | 50                  | 50 | 70 | 14 | 9   | 5.5 | M10 | 18 |
| HX2-8145         |                     | B         | 315 | 120 | 230 | 22  | 150 | 265 | 145              | 290 | 195 | 330 | 25 | 20 | 65 | 18                      | 200 | 165 | 130 | 5  | 12                | 24 | 8  | 27.5 | 50                  | 50 | 90 | 14 | 9   | 5.5 | M10 | 18 |
| HX3-8105         | 3 (2) 4 (6)         | A         | 228 | 60  | 150 | 12  | 100 | 225 | 90               | 150 | 135 | 180 | 15 | 15 | 40 | 11                      | 250 | 215 | 180 | 5  | 15                | 28 | 8  | 31.5 | 60                  | 28 | 35 | 8  | 7   | 4   | M8  | 20 |
| HX3-8125         |                     | A         | 256 | 82  | 204 | 15  | 120 | 245 | 115              | 190 | 155 | 230 | 20 | 20 | 55 | 14                      | 250 | 215 | 180 | 5  | 15                | 28 | 8  | 31.5 | 60                  | 38 | 55 | 10 | 8   | 5   | M8  | 20 |
| HX3-8135         |                     | B         | 319 | 100 | 230 | 22  | 150 | 275 | 145              | 290 | 195 | 330 | 25 | 20 | 65 | 18                      | 250 | 215 | 180 | 5  | 15                | 28 | 8  | 31.5 | 60                  | 50 | 70 | 14 | 9   | 5.5 | M10 | 18 |
| HX3-8145         |                     | B         | 339 | 120 | 230 | 22  | 150 | 275 | 145              | 290 | 195 | 330 | 25 | 20 | 65 | 18                      | 250 | 215 | 180 | 5  | 15                | 28 | 8  | 31.5 | 60                  | 50 | 90 | 14 | 9   | 5.5 | M10 | 18 |
| HX3-8165         |                     | B         | 370 | 139 | 300 | 25  | 160 | 310 | 150              | 370 | 238 | 410 | 44 | 20 | 75 | 18                      | 250 | 215 | 180 | 5  | 15                | 28 | 8  | 31.5 | 60                  | 60 | 90 | 18 | 11  | 7   | M10 | 18 |
| HX5-8125         | 5 (3) 4 (6)         | A         | 256 | 82  | 204 | 15  | 120 | 245 | 115              | 190 | 155 | 230 | 20 | 20 | 55 | 14                      | 250 | 215 | 180 | 5  | 15                | 28 | 8  | 31.5 | 60                  | 38 | 55 | 10 | 8   | 5   | M8  | 20 |
| HX5-8135         |                     | B         | 319 | 100 | 230 | 22  | 150 | 275 | 145              | 290 | 195 | 330 | 25 | 20 | 65 | 18                      | 250 | 215 | 180 | 5  | 15                | 28 | 8  | 31.5 | 60                  | 50 | 70 | 14 | 9   | 5.5 | M10 | 18 |
| HX5-8145         |                     | B         | 339 | 120 | 230 | 22  | 150 | 275 | 145              | 290 | 195 | 330 | 25 | 20 | 65 | 18                      | 250 | 215 | 180 | 5  | 15                | 28 | 8  | 31.5 | 60                  | 50 | 90 | 14 | 9   | 5.5 | M10 | 18 |
| HX5-8165         |                     | B         | 370 | 139 | 300 | 25  | 160 | 310 | 150              | 370 | 238 | 410 | 44 | 20 | 75 | 18                      | 250 | 215 | 180 | 5  | 15                | 28 | 8  | 31.5 | 60                  | 60 | 90 | 18 | 11  | 7   | M10 | 18 |
| HX5-8175         |                     | B         | 425 | 125 | 340 | 30  | 200 | 370 | 275              | 380 | 335 | 430 | 30 | 25 | 80 | 22                      | 250 | 215 | 180 | 5  | 15                | 28 | 8  | 31.5 | 60                  | 70 | 90 | 20 | 12  | 7.5 | M12 | 24 |

※ Dimensions in above drawings are subject to change without notice. 尺寸若有變動，將不另行通知。

# HX Single Stage Foot Mount Reducer with IEC/NEMA Adaptor 單段臥式腳座型附入力法蘭

## Dimensions 外型尺寸表

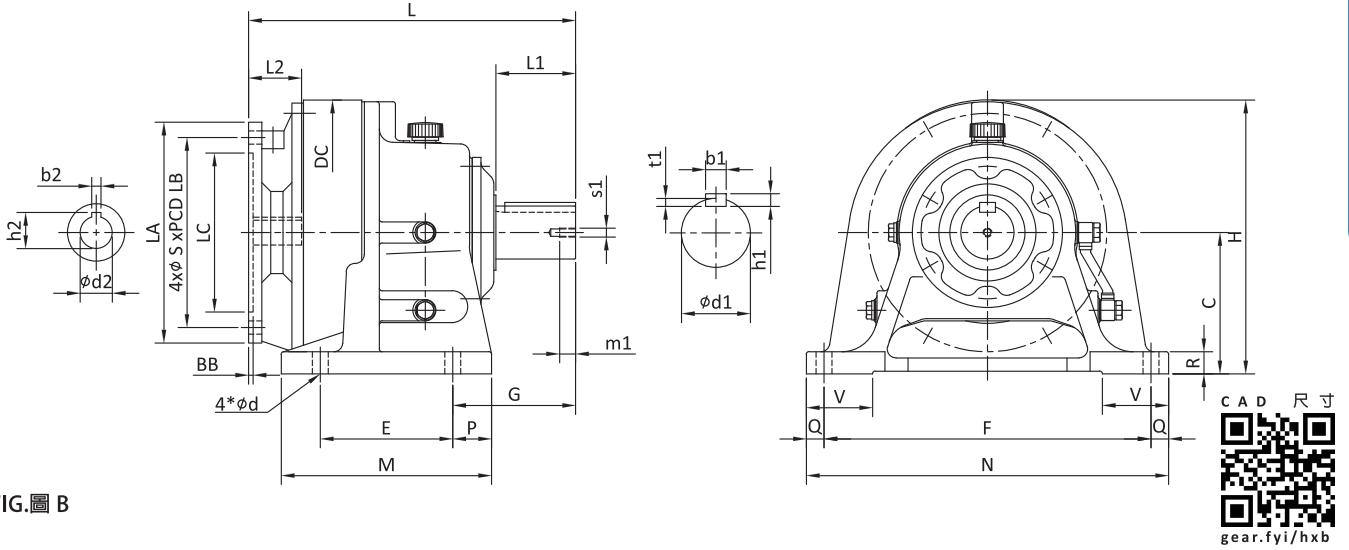


FIG.圖 B

| Frame Size<br>型號 | Motor<br>馬達<br>Hp P | Fig.<br>圖        | L   | G   | DC  | R   | C   | H   | Foot Stock<br>腳座 |     |     |     |     |    |     | IEC Motor Flange<br>馬達盤 |     |     |     |     | Input Bore<br>入力孔 |    |    |      | Output Shaft<br>出力軸 |     |     |    |    |     |     |     |
|------------------|---------------------|------------------|-----|-----|-----|-----|-----|-----|------------------|-----|-----|-----|-----|----|-----|-------------------------|-----|-----|-----|-----|-------------------|----|----|------|---------------------|-----|-----|----|----|-----|-----|-----|
|                  |                     |                  |     |     |     |     |     |     | E                | F   | M   | N   | P   | Q  | V   | d                       | LA  | LB  | LC  | BB  | S                 | d2 | b2 | h2   | L2                  | d1  | L1  | b1 | h1 | t1  | s1  | m1  |
| HX8-8135         | 7½ 4<br>(5) (6)     | B                | 330 | 100 | 230 | 22  | 150 | 300 | 145              | 290 | 195 | 330 | 25  | 20 | 65  | 18                      | 300 | 265 | 230 | 5   | 15                | 38 | 10 | 41.5 | 80                  | 50  | 70  | 14 | 9  | 5.5 | M10 | 18  |
| HX8-8145         |                     | B                | 350 | 120 | 230 | 22  | 150 | 300 | 145              | 290 | 195 | 330 | 25  | 20 | 65  | 18                      | 300 | 265 | 230 | 5   | 15                | 38 | 10 | 41.5 | 80                  | 50  | 90  | 14 | 9  | 5.5 | M10 | 18  |
| HX8-8165         |                     | B                | 390 | 139 | 300 | 25  | 160 | 310 | 150              | 370 | 238 | 410 | 44  | 20 | 75  | 18                      | 300 | 265 | 230 | 5   | 15                | 38 | 10 | 41.5 | 80                  | 60  | 90  | 18 | 11 | 7   | M10 | 18  |
| HX8-8175         |                     | B                | 448 | 125 | 340 | 30  | 200 | 370 | 275              | 380 | 335 | 430 | 30  | 25 | 80  | 22                      | 300 | 265 | 230 | 5   | 15                | 38 | 10 | 41.5 | 80                  | 70  | 90  | 20 | 12 | 7.5 | M12 | 24  |
| HX8-8185         |                     | B                | 483 | 145 | 370 | 30  | 220 | 405 | 320              | 420 | 380 | 470 | 30  | 25 | 85  | 22                      | 300 | 265 | 230 | 5   | 15                | 38 | 10 | 41.5 | 80                  | 80  | 110 | 22 | 14 | 9   | M12 | 24  |
| HX8-8195         |                     | B                | 589 | 170 | 430 | 35  | 250 | 465 | 380              | 480 | 440 | 530 | 30  | 25 | 90  | 22                      | 300 | 265 | 230 | 5   | 15                | 38 | 10 | 41.5 | 80                  | 95  | 135 | 25 | 14 | 9   | M20 | 34  |
| HX10-8135        | 10 4<br>(7½) (6)    | B                | 330 | 100 | 230 | 22  | 150 | 300 | 145              | 290 | 195 | 330 | 25  | 20 | 65  | 18                      | 300 | 265 | 230 | 5   | 15                | 38 | 10 | 41.5 | 80                  | 50  | 70  | 14 | 9  | 5.5 | M10 | 18  |
| HX10-8145        |                     | B                | 350 | 120 | 230 | 22  | 150 | 300 | 145              | 290 | 195 | 330 | 25  | 20 | 65  | 18                      | 300 | 265 | 230 | 5   | 15                | 38 | 10 | 41.5 | 80                  | 50  | 90  | 14 | 9  | 5.5 | M10 | 18  |
| HX10-8165        |                     | B                | 390 | 139 | 300 | 25  | 160 | 310 | 150              | 370 | 238 | 410 | 44  | 20 | 75  | 18                      | 300 | 265 | 230 | 5   | 15                | 38 | 10 | 41.5 | 80                  | 60  | 90  | 18 | 11 | 7   | M10 | 18  |
| HX10-8175        |                     | B                | 448 | 125 | 340 | 30  | 200 | 370 | 275              | 380 | 335 | 430 | 30  | 25 | 80  | 22                      | 300 | 265 | 230 | 5   | 15                | 38 | 10 | 41.5 | 80                  | 70  | 90  | 20 | 12 | 7.5 | M12 | 24  |
| HX10-8185        |                     | B                | 483 | 145 | 370 | 30  | 220 | 405 | 320              | 420 | 380 | 470 | 30  | 25 | 85  | 22                      | 300 | 265 | 230 | 5   | 15                | 38 | 10 | 41.5 | 80                  | 80  | 110 | 22 | 14 | 9   | M12 | 24  |
| HX10-8195        |                     | B                | 589 | 170 | 430 | 35  | 250 | 465 | 380              | 480 | 440 | 530 | 30  | 25 | 90  | 22                      | 300 | 265 | 230 | 5   | 15                | 38 | 10 | 41.5 | 80                  | 95  | 135 | 25 | 14 | 9   | M20 | 34  |
| HX15-8165        | 15 4<br>(10) (6)    | B                | 426 | 139 | 300 | 25  | 160 | 335 | 150              | 370 | 238 | 410 | 44  | 20 | 75  | 18                      | 350 | 300 | 250 | 5   | 20                | 42 | 12 | 46   | 110                 | 60  | 90  | 18 | 11 | 7   | M10 | 18  |
| HX15-8175        |                     | B                | 476 | 125 | 340 | 30  | 200 | 375 | 275              | 380 | 335 | 430 | 30  | 25 | 80  | 22                      | 350 | 300 | 250 | 5   | 20                | 42 | 12 | 46   | 110                 | 70  | 90  | 20 | 12 | 7.5 | M12 | 24  |
| HX15-8185        |                     | B                | 513 | 145 | 370 | 30  | 220 | 405 | 320              | 420 | 380 | 470 | 30  | 25 | 85  | 22                      | 350 | 300 | 250 | 5   | 20                | 42 | 12 | 46   | 110                 | 80  | 110 | 22 | 14 | 9   | M12 | 24  |
| HX15-8195        |                     | B                | 588 | 170 | 430 | 35  | 250 | 465 | 380              | 480 | 440 | 530 | 30  | 25 | 90  | 22                      | 350 | 300 | 250 | 5   | 20                | 42 | 12 | 46   | 110                 | 95  | 135 | 25 | 14 | 9   | M20 | 34  |
| HX15-8205        |                     | B                | 625 | 215 | 448 | 35  | 250 | 486 | 360              | 440 | 440 | 530 | 40  | 45 | 100 | 26                      | 350 | 300 | 250 | 5   | 20                | 42 | 12 | 46   | 110                 | 100 | 165 | 28 | 16 | 10  | M20 | 34  |
| HX20-8165        |                     | 20 4<br>(15) (6) | B   | 426 | 139 | 300 | 25  | 160 | 335              | 150 | 370 | 238 | 410 | 44 | 20  | 75                      | 18  | 350 | 300 | 250 | 5                 | 20 | 42 | 12   | 46                  | 110 | 60  | 90 | 18 | 11  | 7   | M10 |
| HX20-8175        | B                   |                  | 476 | 125 | 340 | 30  | 200 | 375 | 275              | 380 | 335 | 430 | 30  | 25 | 80  | 22                      | 350 | 300 | 250 | 5   | 20                | 42 | 12 | 46   | 110                 | 70  | 90  | 20 | 12 | 7.5 | M12 | 24  |
| HX20-8185        | B                   |                  | 513 | 145 | 370 | 30  | 220 | 405 | 320              | 420 | 380 | 470 | 30  | 25 | 85  | 22                      | 350 | 300 | 250 | 5   | 20                | 42 | 12 | 46   | 110                 | 80  | 110 | 22 | 14 | 9   | M12 | 24  |
| HX20-8195        | B                   |                  | 588 | 170 | 430 | 35  | 250 | 465 | 380              | 480 | 440 | 530 | 30  | 25 | 90  | 22                      | 350 | 300 | 250 | 5   | 20                | 42 | 12 | 46   | 110                 | 95  | 135 | 25 | 14 | 9   | M20 | 34  |
| HX20-8205        | B                   |                  | 625 | 215 | 448 | 35  | 250 | 486 | 360              | 440 | 440 | 530 | 40  | 45 | 100 | 26                      | 350 | 300 | 250 | 5   | 20                | 42 | 12 | 46   | 110                 | 100 | 165 | 28 | 16 | 10  | M20 | 34  |

※ Larger model available, contact Varitron or your sales personal. 如需更大型號，請洽中國變速。  
 ※ Dimensions in above drawings are subject to change without notice. 尺寸若有變動，將不另行通知。

# HX Double Stage Foot Mount Reducer with IEC Adaptor 雙段臥式腳座附入力法蘭

## Dimensions 外型尺寸表

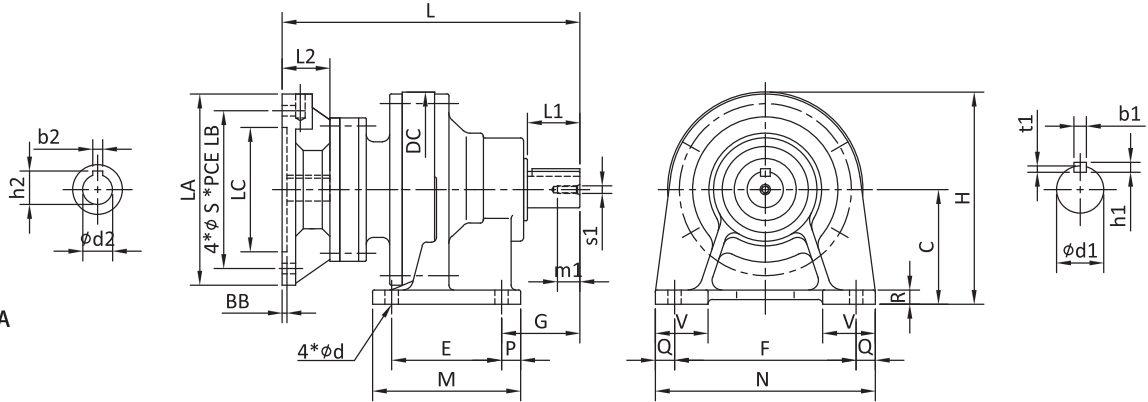


FIG. 圖 A

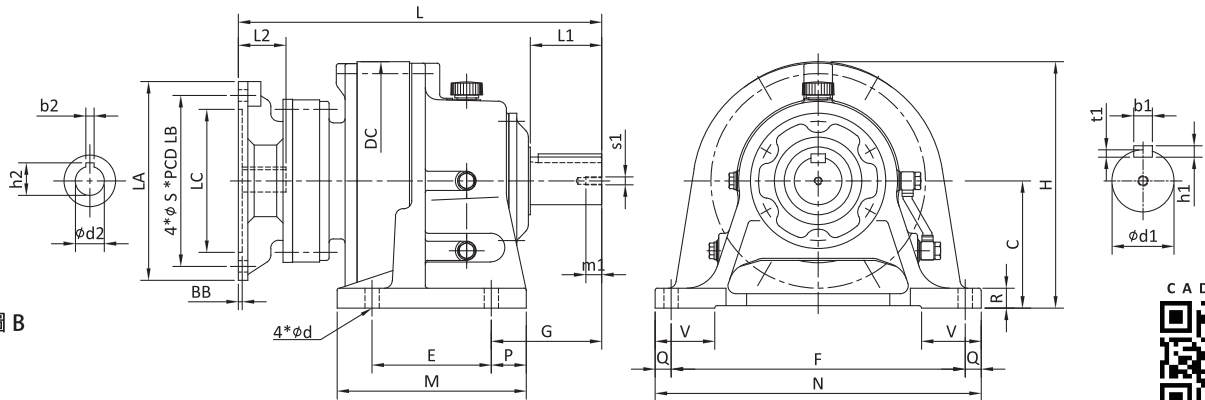


FIG. 圖 B



| Frame Size<br>型號 | Motor<br>馬達<br>Hp P | Fig.<br>圖 | L   | G   | DC  | R  | C   | H   | Foot Stock<br>腳座 |     |     |     |    |    |     | IEC Motor Flange<br>馬達盤 |     |     |     |    | Input Bore<br>入力孔 |    |    |    | Output Shaft<br>出力軸 |     |     |    |    |     |     |    |
|------------------|---------------------|-----------|-----|-----|-----|----|-----|-----|------------------|-----|-----|-----|----|----|-----|-------------------------|-----|-----|-----|----|-------------------|----|----|----|---------------------|-----|-----|----|----|-----|-----|----|
|                  |                     |           |     |     |     |    |     |     | E                | F   | M   | N   | P  | Q  | V   | d                       | LA  | LB  | LC  | BB | S                 | d2 | b2 | h2 | L2                  | d1  | L1  | b1 | h1 | t1  | s1  | m1 |
| HX05-8105DA      |                     | A         | 204 | 60  | 150 | 12 | 100 | 180 | 90               | 150 | 135 | 180 | 15 | 15 | 40  | 11                      | 160 | 130 | 110 | 4  | 10                | 14 | 5  | 17 | 30                  | 28  | 35  | 8  | 7  | 4   | M8  | 20 |
| HX05-8125DA      |                     | A         | 290 | 82  | 204 | 15 | 120 | 222 | 115              | 190 | 155 | 230 | 20 | 20 | 55  | 14                      | 160 | 130 | 110 | 4  | 10                | 14 | 5  | 17 | 30                  | 38  | 55  | 10 | 8  | 5   | M8  | 20 |
| HX05-8125DB      |                     | A         | 309 | 82  | 204 | 15 | 120 | 222 | 115              | 190 | 155 | 230 | 20 | 20 | 55  | 14                      | 160 | 130 | 110 | 4  | 10                | 14 | 5  | 17 | 30                  | 38  | 55  | 10 | 8  | 5   | M8  | 20 |
| HX05-8135DB      |                     | B         | 360 | 100 | 230 | 22 | 150 | 265 | 145              | 290 | 195 | 330 | 25 | 20 | 65  | 18                      | 160 | 130 | 110 | 4  | 10                | 14 | 5  | 17 | 30                  | 50  | 70  | 14 | 9  | 5.5 | M10 | 18 |
| HX05-8135DC      |                     | B         | 360 | 100 | 230 | 22 | 150 | 265 | 145              | 290 | 195 | 330 | 25 | 20 | 65  | 18                      | 160 | 130 | 110 | 4  | 10                | 14 | 5  | 17 | 30                  | 50  | 70  | 14 | 9  | 5.5 | M10 | 18 |
| HX05-8145DB      | 1/2                 | B         | 380 | 120 | 230 | 22 | 150 | 265 | 145              | 290 | 195 | 330 | 25 | 20 | 65  | 18                      | 160 | 130 | 110 | 4  | 10                | 14 | 5  | 17 | 30                  | 50  | 90  | 14 | 9  | 5.5 | M10 | 18 |
| HX05-8145DC      | 1/4                 | B         | 380 | 120 | 230 | 22 | 150 | 265 | 145              | 290 | 195 | 330 | 25 | 20 | 65  | 18                      | 160 | 130 | 110 | 4  | 10                | 14 | 5  | 17 | 30                  | 50  | 90  | 14 | 9  | 5.5 | M10 | 18 |
| HX05-8165DA      |                     | B         | 430 | 139 | 300 | 25 | 160 | 310 | 150              | 370 | 238 | 410 | 44 | 20 | 75  | 18                      | 160 | 130 | 110 | 4  | 10                | 14 | 5  | 17 | 30                  | 60  | 90  | 18 | 11 | 7   | M10 | 18 |
| HX05-8165DB      |                     | B         | 430 | 139 | 300 | 25 | 160 | 310 | 150              | 370 | 238 | 410 | 44 | 20 | 75  | 18                      | 160 | 130 | 110 | 4  | 10                | 14 | 5  | 17 | 30                  | 60  | 90  | 18 | 11 | 7   | M10 | 18 |
| HX05-8175DA      |                     | B         | 475 | 125 | 340 | 30 | 200 | 370 | 275              | 380 | 335 | 430 | 30 | 25 | 80  | 22                      | 160 | 130 | 110 | 4  | 10                | 14 | 5  | 17 | 30                  | 70  | 90  | 20 | 12 | 7.5 | M12 | 24 |
| HX05-8175DB      |                     | B         | 475 | 125 | 340 | 30 | 200 | 370 | 275              | 380 | 335 | 430 | 30 | 25 | 80  | 22                      | 160 | 130 | 110 | 4  | 10                | 14 | 5  | 17 | 30                  | 70  | 90  | 20 | 12 | 7.5 | M12 | 24 |
| HX1-8125DB       |                     | A         | 326 | 82  | 204 | 15 | 120 | 222 | 115              | 190 | 155 | 230 | 20 | 20 | 55  | 14                      | 200 | 165 | 130 | 5  | 12                | 19 | 6  | 22 | 40                  | 38  | 55  | 10 | 8  | 5   | M8  | 20 |
| HX1-8135DB       |                     | B         | 377 | 100 | 230 | 22 | 150 | 265 | 145              | 290 | 195 | 330 | 25 | 20 | 65  | 18                      | 200 | 165 | 130 | 5  | 12                | 19 | 6  | 22 | 40                  | 50  | 70  | 14 | 9  | 5.5 | M10 | 18 |
| HX1-8135DC       |                     | B         | 377 | 100 | 230 | 22 | 150 | 265 | 145              | 290 | 195 | 330 | 25 | 20 | 65  | 18                      | 200 | 165 | 130 | 5  | 12                | 19 | 6  | 22 | 40                  | 50  | 70  | 14 | 9  | 5.5 | M10 | 18 |
| HX1-8145DB       |                     | B         | 397 | 120 | 230 | 22 | 150 | 265 | 145              | 290 | 195 | 330 | 25 | 20 | 65  | 18                      | 200 | 165 | 130 | 5  | 12                | 19 | 6  | 22 | 40                  | 50  | 90  | 14 | 9  | 5.5 | M10 | 18 |
| HX1-8145DC       |                     | B         | 397 | 120 | 230 | 22 | 150 | 265 | 145              | 290 | 195 | 330 | 25 | 20 | 65  | 18                      | 200 | 165 | 130 | 5  | 12                | 19 | 6  | 22 | 40                  | 50  | 90  | 14 | 9  | 5.5 | M10 | 18 |
| HX1-8165DA       |                     | B         | 417 | 139 | 300 | 25 | 160 | 310 | 150              | 370 | 238 | 410 | 44 | 20 | 75  | 18                      | 200 | 165 | 130 | 5  | 12                | 19 | 6  | 22 | 40                  | 60  | 90  | 18 | 11 | 7   | M10 | 18 |
| HX1-8165DB       |                     | B         | 417 | 139 | 300 | 25 | 160 | 310 | 150              | 370 | 238 | 410 | 44 | 20 | 75  | 18                      | 200 | 165 | 130 | 5  | 12                | 19 | 6  | 22 | 40                  | 60  | 90  | 18 | 11 | 7   | M10 | 18 |
| HX1-8175DA       | 1                   | B         | 492 | 125 | 340 | 30 | 200 | 370 | 275              | 380 | 335 | 430 | 30 | 25 | 80  | 22                      | 200 | 165 | 130 | 5  | 12                | 19 | 6  | 22 | 40                  | 70  | 90  | 20 | 12 | 7.5 | M12 | 24 |
| HX1-8175DB       | 1/2                 | B         | 492 | 125 | 340 | 30 | 200 | 370 | 275              | 380 | 335 | 430 | 30 | 25 | 80  | 22                      | 200 | 165 | 130 | 5  | 12                | 19 | 6  | 22 | 40                  | 70  | 90  | 20 | 12 | 7.5 | M12 | 24 |
| HX1-8185DA       |                     | B         | 534 | 145 | 370 | 30 | 220 | 405 | 320              | 420 | 380 | 470 | 30 | 25 | 85  | 22                      | 200 | 165 | 130 | 5  | 12                | 19 | 6  | 22 | 40                  | 80  | 110 | 22 | 14 | 9   | M12 | 24 |
| HX1-8185DB       |                     | B         | 551 | 145 | 370 | 30 | 220 | 405 | 320              | 420 | 380 | 470 | 30 | 25 | 85  | 22                      | 200 | 165 | 130 | 5  | 12                | 19 | 6  | 22 | 40                  | 80  | 110 | 22 | 14 | 9   | M12 | 24 |
| HX1-8195DA       |                     | B         | 613 | 170 | 430 | 35 | 250 | 465 | 380              | 480 | 440 | 530 | 30 | 25 | 90  | 22                      | 200 | 165 | 130 | 5  | 12                | 19 | 6  | 22 | 40                  | 95  | 135 | 25 | 14 | 9   | M20 | 34 |
| HX1-8205DA       |                     | B         | 657 | 215 | 448 | 35 | 250 | 474 | 360              | 440 | 440 | 530 | 40 | 45 | 100 | 26                      | 200 | 165 | 130 | 5  | 12                | 19 | 6  | 22 | 40                  | 100 | 165 | 28 | 16 | 10  | M20 | 34 |

※ Dimensions in above drawings are subject to change without notice. 尺寸若有變動，將不另行通知。



# HX Double Stage Foot Mount Reducer with IEC Adaptor 雙段臥式腳座附入力法蘭

## Dimensions 外型尺寸表

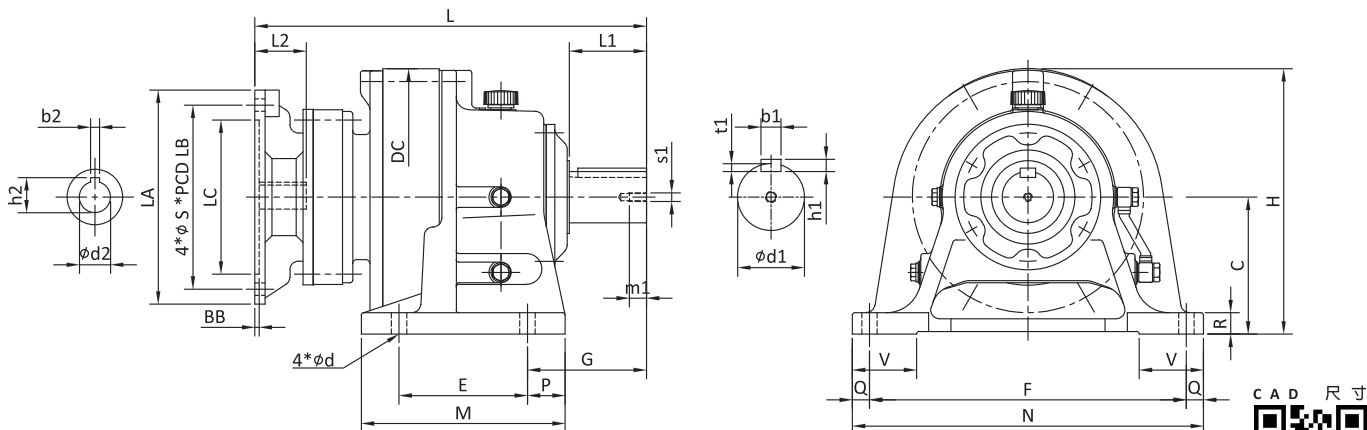


FIG.圖 B

| Frame Size<br>型號 | Motor<br>馬達<br>Hp P | Fig.<br>圖 | L       | G   | DC  | R   | C   | H   | Foot Stock<br>腳座 |     |     |     |     |    |     | IEC Motor Flange<br>馬達盤 |     |     |     |     | Input Bore<br>入力孔 |      |    |      | Output Shaft<br>出力軸 |     |     |     |     |     |     |     |    |
|------------------|---------------------|-----------|---------|-----|-----|-----|-----|-----|------------------|-----|-----|-----|-----|----|-----|-------------------------|-----|-----|-----|-----|-------------------|------|----|------|---------------------|-----|-----|-----|-----|-----|-----|-----|----|
|                  |                     |           |         |     |     |     |     |     | E                | F   | M   | N   | P   | Q  | V   | d                       | LA  | LB  | LC  | BB  | S                 | d2   | b2 | h2   | L2                  | d1  | L1  | b1  | h1  | t1  | s1  | m1  |    |
| HX2-8135DC       | 2 4                 | B         | 377     | 100 | 230 | 22  | 150 | 265 | 145              | 290 | 195 | 330 | 25  | 20 | 65  | 18                      | 200 | 165 | 130 | 5   | 12                | 24   | 8  | 27.5 | 50                  | 50  | 70  | 14  | 9   | 5.5 | M10 | 18  |    |
| HX2-8145DC       |                     |           | 397     | 120 | 230 | 22  | 150 | 265 | 145              | 290 | 195 | 330 | 25  | 20 | 65  | 18                      | 200 | 165 | 130 | 5   | 12                | 24   | 8  | 27.5 | 50                  | 50  | 90  | 14  | 9   | 5.5 | M10 | 18  |    |
| HX2-8165DB       |                     |           | 447     | 139 | 300 | 25  | 160 | 310 | 150              | 370 | 238 | 410 | 44  | 20 | 75  | 18                      | 200 | 165 | 130 | 5   | 12                | 24   | 8  | 27.5 | 50                  | 60  | 90  | 18  | 11  | 7   | M10 | 18  |    |
| HX2-8165DC       |                     |           | 449     | 139 | 300 | 25  | 160 | 310 | 150              | 370 | 238 | 410 | 44  | 20 | 75  | 18                      | 200 | 165 | 130 | 5   | 12                | 24   | 8  | 27.5 | 50                  | 60  | 90  | 18  | 11  | 7   | M10 | 18  |    |
| HX2-8175DB       |                     |           | 492     | 125 | 340 | 30  | 200 | 370 | 275              | 380 | 335 | 430 | 30  | 25 | 80  | 22                      | 200 | 165 | 130 | 5   | 12                | 24   | 8  | 27.5 | 50                  | 70  | 90  | 20  | 12  | 7.5 | M12 | 24  |    |
| HX2-8175DC       |                     |           | 496     | 125 | 340 | 30  | 200 | 370 | 275              | 380 | 335 | 430 | 30  | 25 | 80  | 22                      | 200 | 165 | 130 | 5   | 12                | 24   | 8  | 27.5 | 50                  | 70  | 90  | 20  | 12  | 7.5 | M12 | 24  |    |
| HX2-8185DA       |                     |           | (1) (6) | 534 | 145 | 370 | 30  | 220 | 405              | 320 | 420 | 380 | 470 | 30 | 25  | 85                      | 22  | 200 | 165 | 130 | 5                 | 12   | 24 | 8    | 27.5                | 50  | 80  | 110 | 22  | 14  | 9   | M12 | 24 |
| HX2-8185DB       |                     |           | 551     | 145 | 370 | 30  | 220 | 405 | 320              | 420 | 380 | 470 | 30  | 25 | 85  | 22                      | 200 | 165 | 130 | 5   | 12                | 24   | 8  | 27.5 | 50                  | 80  | 110 | 22  | 14  | 9   | M12 | 24  |    |
| HX2-8195DA       |                     |           | 616     | 170 | 430 | 35  | 250 | 465 | 380              | 480 | 440 | 530 | 30  | 25 | 90  | 22                      | 200 | 165 | 130 | 5   | 12                | 24   | 8  | 27.5 | 50                  | 95  | 135 | 25  | 14  | 9   | M20 | 34  |    |
| HX2-8205DA       |                     |           | 657     | 215 | 448 | 35  | 250 | 474 | 360              | 440 | 440 | 530 | 40  | 45 | 100 | 26                      | 200 | 165 | 130 | 5   | 12                | 24   | 8  | 27.5 | 50                  | 100 | 165 | 28  | 16  | 10  | M20 | 34  |    |
| HX2-8215DA       | 705                 | 210       | 485     | 40  | 265 | 508 | 395 | 480 | 475              | 580 | 40  | 50  | 110 | 26 | 200 | 165                     | 130 | 5   | 12  | 24  | 8                 | 27.5 | 50 | 110  | 165                 | 28  | 16  | 10  | M20 | 34  |     |     |    |
| HX2-8225DA       | 747                 | 230       | 526     | 40  | 280 | 543 | 420 | 540 | 520              | 620 | 50  | 40  | 115 | 33 | 200 | 165                     | 130 | 5   | 12  | 24  | 8                 | 27.5 | 50 | 120  | 165                 | 32  | 18  | 11  | M20 | 34  |     |     |    |
| HX3-8135DC       | 3 4                 | B         | 389     | 100 | 230 | 22  | 150 | 275 | 145              | 290 | 195 | 330 | 25  | 20 | 65  | 18                      | 250 | 215 | 180 | 5   | 15                | 28   | 8  | 31.5 | 60                  | 50  | 70  | 14  | 9   | 5.5 | M10 | 18  |    |
| HX3-8145DC       |                     |           | 409     | 120 | 230 | 22  | 150 | 275 | 145              | 290 | 195 | 330 | 25  | 20 | 65  | 18                      | 250 | 215 | 180 | 5   | 15                | 28   | 8  | 31.5 | 60                  | 50  | 90  | 14  | 9   | 5.5 | M10 | 18  |    |
| HX3-8165DB       |                     |           | 459     | 139 | 300 | 25  | 160 | 310 | 150              | 370 | 238 | 410 | 44  | 20 | 75  | 18                      | 250 | 215 | 180 | 5   | 15                | 28   | 8  | 31.5 | 60                  | 60  | 90  | 18  | 11  | 7   | M10 | 18  |    |
| HX3-8165DC       |                     |           | 460     | 139 | 300 | 25  | 160 | 310 | 150              | 370 | 238 | 410 | 44  | 20 | 75  | 18                      | 250 | 215 | 180 | 5   | 15                | 28   | 8  | 31.5 | 60                  | 60  | 90  | 18  | 11  | 7   | M10 | 18  |    |
| HX3-8175DB       |                     |           | 504     | 125 | 340 | 30  | 200 | 370 | 275              | 380 | 335 | 430 | 30  | 25 | 80  | 22                      | 250 | 215 | 180 | 5   | 15                | 28   | 8  | 31.5 | 60                  | 70  | 90  | 20  | 12  | 7.5 | M12 | 24  |    |
| HX3-8175DC       |                     |           | 506     | 125 | 340 | 30  | 200 | 370 | 275              | 380 | 335 | 430 | 30  | 25 | 80  | 22                      | 250 | 215 | 180 | 5   | 15                | 28   | 8  | 31.5 | 60                  | 70  | 90  | 20  | 12  | 7.5 | M12 | 24  |    |
| HX3-8185DA       |                     |           | 546     | 145 | 370 | 30  | 220 | 405 | 320              | 420 | 380 | 470 | 30  | 25 | 85  | 22                      | 250 | 215 | 180 | 5   | 15                | 28   | 8  | 31.5 | 60                  | 80  | 110 | 22  | 14  | 9   | M12 | 24  |    |
| HX3-8185DB       |                     |           | 575     | 145 | 370 | 30  | 220 | 405 | 320              | 420 | 380 | 470 | 30  | 25 | 85  | 22                      | 250 | 215 | 180 | 5   | 15                | 28   | 8  | 31.5 | 60                  | 80  | 110 | 22  | 14  | 9   | M12 | 24  |    |
| HX3-8195DA       |                     |           | (2) (6) | 626 | 170 | 430 | 35  | 250 | 465              | 380 | 480 | 440 | 530 | 30 | 25  | 90                      | 22  | 250 | 215 | 180 | 5                 | 15   | 28 | 8    | 31.5                | 60  | 95  | 135 | 25  | 14  | 9   | M20 | 34 |
| HX3-8195DB       |                     |           | 651     | 170 | 430 | 35  | 250 | 465 | 380              | 480 | 440 | 530 | 30  | 25 | 90  | 22                      | 250 | 215 | 180 | 5   | 15                | 28   | 8  | 31.5 | 60                  | 95  | 135 | 25  | 14  | 9   | M20 | 34  |    |
| HX3-8205DA       | 667                 | 215       | 448     | 35  | 250 | 474 | 360 | 440 | 440              | 530 | 40  | 45  | 100 | 26 | 250 | 215                     | 180 | 5   | 15  | 28  | 8                 | 31.5 | 60 | 100  | 165                 | 28  | 16  | 10  | M20 | 34  |     |     |    |
| HX3-8205DB       | 703                 | 215       | 448     | 35  | 250 | 474 | 360 | 440 | 440              | 530 | 40  | 45  | 100 | 26 | 250 | 215                     | 180 | 5   | 15  | 28  | 8                 | 31.5 | 60 | 100  | 165                 | 28  | 16  | 10  | M20 | 34  |     |     |    |
| HX3-8215DA       | 729                 | 210       | 485     | 40  | 265 | 508 | 395 | 480 | 475              | 580 | 40  | 50  | 110 | 26 | 250 | 215                     | 180 | 5   | 15  | 28  | 8                 | 31.5 | 60 | 110  | 165                 | 28  | 16  | 10  | M20 | 34  |     |     |    |
| HX3-8225DA       | 771                 | 230       | 526     | 40  | 280 | 543 | 420 | 540 | 520              | 620 | 50  | 40  | 115 | 33 | 250 | 215                     | 180 | 5   | 15  | 28  | 8                 | 31.5 | 60 | 120  | 165                 | 32  | 18  | 11  | M20 | 34  |     |     |    |
| HX3-8235DA       | 840                 | 260       | 562     | 45  | 300 | 581 | 460 | 580 | 560              | 670 | 50  | 45  | 120 | 33 | 250 | 215                     | 180 | 5   | 15  | 28  | 8                 | 31.5 | 60 | 130  | 200                 | 32  | 18  | 11  | M24 | 41  |     |     |    |
| HX3-8245DA       | 878                 | 263       | 614     | 45  | 335 | 642 | 480 | 630 | 580              | 720 | 50  | 45  | 128 | 39 | 250 | 215                     | 180 | 5   | 15  | 28  | 8                 | 31.5 | 60 | 140  | 200                 | 36  | 20  | 12  | M24 | 41  |     |     |    |

※ Dimensions in above drawings are subject to change without notice. 尺寸若有變動，將不另行通知。



# HX Double Stage Foot Mount Reducer with IEC Adaptor 雙段臥式腳座附入力法蘭

## Dimensions 外型尺寸表

FIG.圖 B

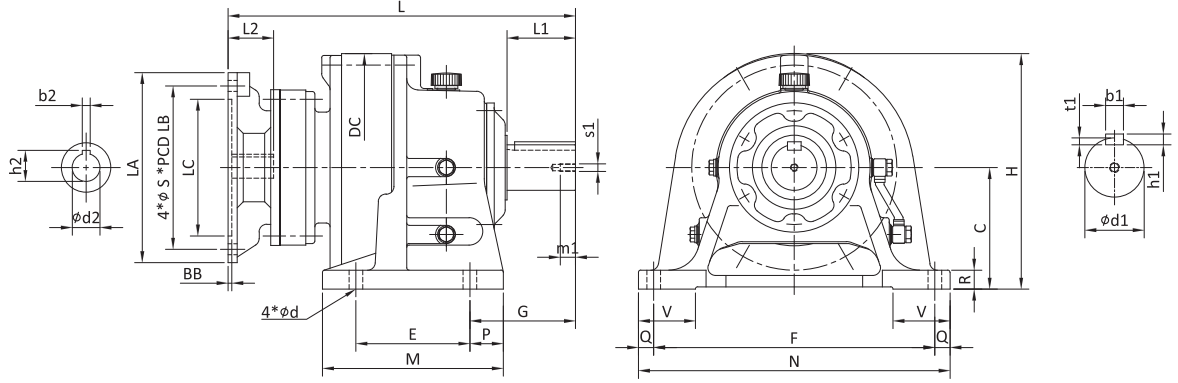
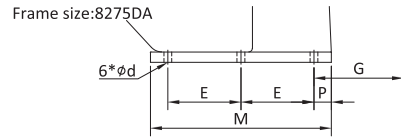


FIG.圖 C



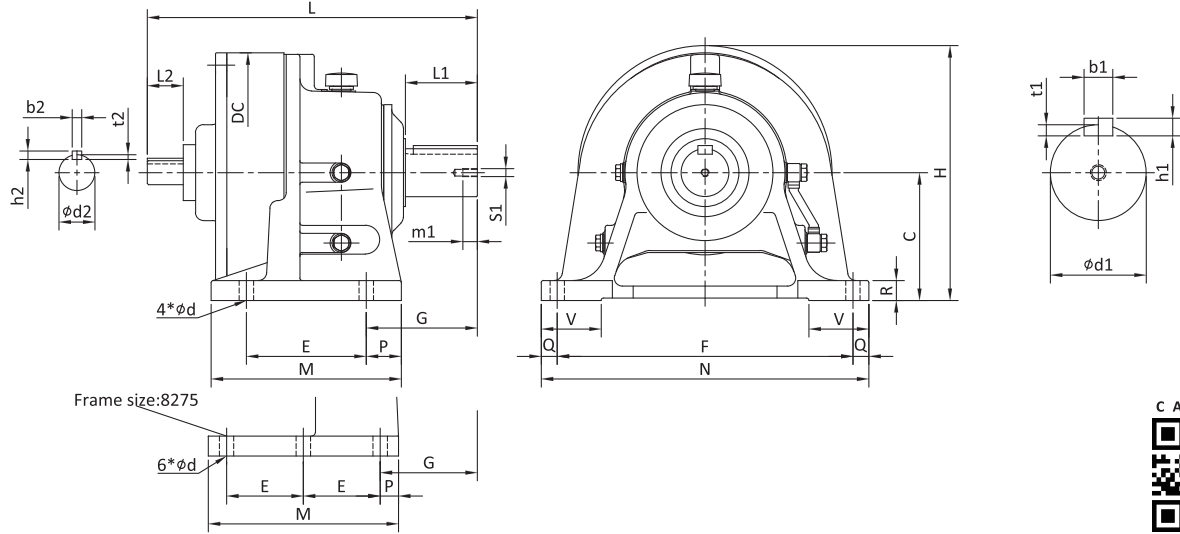
| Frame Size<br>型號 | Motor<br>馬達<br>Hp<br>(kW) | Fig.<br>圖 | L   | G    | DC  | R   | C    | H   | Foot Stock<br>腳座 |      |      |      |      |     |    |     |     |     | IEC Motor Flange<br>馬達盤 |     |    |    |      | Input Bore<br>入力孔 |      |     |     | Output Shaft<br>出力軸 |    |     |    |     |    |
|------------------|---------------------------|-----------|-----|------|-----|-----|------|-----|------------------|------|------|------|------|-----|----|-----|-----|-----|-------------------------|-----|----|----|------|-------------------|------|-----|-----|---------------------|----|-----|----|-----|----|
|                  |                           |           |     |      |     |     |      |     | E                | F    | M    | N    | P    | Q   | V  | d   | LA  | LB  | LC                      | BB  | S  | d2 | b2   | h2                | L2   | d1  | L1  | b1                  | h1 | t1  | s1 | m1  |    |
| HX10-8185DB      | 10<br>(7½)                | 4<br>(6)  | B   | 586  | 145 | 370 | 30   | 220 | 405              | 320  | 420  | 380  | 470  | 30  | 25 | 85  | 22  | 300 | 265                     | 230 | 5  | 15 | 38   | 10                | 41.5 | 80  | 80  | 110                 | 22 | 14  | 9  | M12 | 24 |
| HX10-8195DB      |                           |           | B   | 662  | 170 | 430 | 35   | 250 | 465              | 380  | 480  | 440  | 530  | 30  | 25 | 90  | 26  | 300 | 265                     | 230 | 5  | 15 | 38   | 10                | 41.5 | 80  | 95  | 135                 | 25 | 14  | 9  | M20 | 34 |
| HX10-8205DB      |                           |           | B   | 714  | 215 | 448 | 35   | 250 | 474              | 360  | 440  | 440  | 530  | 40  | 45 | 100 | 26  | 300 | 265                     | 230 | 5  | 15 | 38   | 10                | 41.5 | 80  | 100 | 165                 | 28 | 16  | 10 | M20 | 34 |
| HX10-8215DA      |                           |           | B   | 740  | 210 | 485 | 40   | 265 | 508              | 395  | 480  | 475  | 580  | 40  | 50 | 110 | 26  | 300 | 265                     | 230 | 5  | 15 | 38   | 10                | 41.5 | 80  | 110 | 165                 | 28 | 16  | 10 | M20 | 34 |
| HX10-8215DB      |                           |           | B   | 758  | 210 | 485 | 40   | 265 | 508              | 395  | 480  | 475  | 580  | 40  | 50 | 110 | 26  | 300 | 265                     | 230 | 5  | 15 | 38   | 10                | 41.5 | 80  | 110 | 165                 | 28 | 16  | 10 | M20 | 34 |
| HX10-8225DA      |                           |           | B   | 782  | 230 | 526 | 40   | 280 | 543              | 420  | 540  | 520  | 620  | 50  | 40 | 115 | 33  | 300 | 265                     | 230 | 5  | 15 | 38   | 10                | 41.5 | 80  | 120 | 165                 | 32 | 18  | 22 | M20 | 34 |
| HX10-8225DB      |                           |           | B   | 831  | 230 | 526 | 40   | 280 | 543              | 420  | 540  | 520  | 620  | 50  | 40 | 115 | 33  | 300 | 265                     | 230 | 5  | 15 | 38   | 10                | 41.5 | 80  | 120 | 165                 | 32 | 18  | 11 | M20 | 34 |
| HX10-8235DA      |                           |           | B   | 861  | 260 | 562 | 45   | 300 | 581              | 460  | 580  | 560  | 670  | 50  | 45 | 120 | 33  | 300 | 265                     | 230 | 5  | 15 | 38   | 10                | 41.5 | 80  | 130 | 200                 | 32 | 18  | 11 | M24 | 41 |
| HX10-8245DA      |                           |           | B   | 899  | 263 | 614 | 45   | 335 | 642              | 480  | 630  | 580  | 720  | 50  | 45 | 128 | 39  | 300 | 265                     | 230 | 5  | 15 | 38   | 10                | 41.5 | 80  | 140 | 200                 | 36 | 20  | 12 | M24 | 41 |
| HX10-8255DA      |                           |           | B   | 1052 | 320 | 670 | 50   | 375 | 710              | 520  | 670  | 630  | 780  | 55  | 55 | 140 | 39  | 300 | 265                     | 230 | 5  | 15 | 38   | 10                | 41.5 | 80  | 160 | 240                 | 40 | 22  | 13 | M30 | 49 |
| HX10-8265DA      | B                         | 1212      | 390 | 736  | 55  | 400 | 768  | 590 | 770              | 700  | 880  | 55   | 55   | 160 | 45 | 300 | 265 | 230 | 5                       | 15  | 38 | 10 | 41.5 | 80                | 170  | 300 | 40  | 22                  | 13 | M30 | 49 |     |    |
| HX10-8275DA      | C                         | 1472      | 485 | 950  | 60  | 540 | 1015 | 420 | 1050             | 1040 | 1160 | 100  | 55   | 200 | 45 | 300 | 265 | 230 | 5                       | 15  | 38 | 10 | 41.5 | 80                | 180  | 330 | 45  | 25                  | 15 | M30 | 52 |     |    |
| HX15-8215DB      | 15<br>(10)                | 4<br>(6)  | B   | 793  | 210 | 485 | 40   | 265 | 508              | 395  | 480  | 475  | 580  | 40  | 50 | 110 | 26  | 350 | 300                     | 250 | 5  | 20 | 42   | 12                | 46   | 110 | 110 | 165                 | 28 | 16  | 10 | M20 | 34 |
| HX15-8225DB      |                           |           | B   | 589  | 230 | 526 | 40   | 280 | 543              | 420  | 540  | 520  | 620  | 50  | 40 | 115 | 33  | 350 | 300                     | 250 | 5  | 20 | 42   | 12                | 46   | 110 | 120 | 165                 | 32 | 18  | 11 | M20 | 34 |
| HX15-8235DA      |                           |           | B   | 896  | 260 | 562 | 45   | 300 | 581              | 460  | 580  | 560  | 670  | 50  | 45 | 120 | 33  | 350 | 300                     | 250 | 5  | 20 | 42   | 12                | 46   | 110 | 130 | 200                 | 32 | 18  | 11 | M24 | 41 |
| HX15-8235DB      |                           |           | B   | 924  | 260 | 562 | 45   | 300 | 581              | 460  | 580  | 560  | 670  | 50  | 45 | 120 | 33  | 350 | 300                     | 250 | 5  | 20 | 42   | 12                | 46   | 110 | 130 | 200                 | 32 | 18  | 11 | M24 | 41 |
| HX15-8245DA      |                           |           | B   | 934  | 263 | 614 | 45   | 335 | 642              | 480  | 630  | 580  | 720  | 50  | 45 | 128 | 39  | 350 | 300                     | 250 | 5  | 20 | 42   | 12                | 46   | 110 | 140 | 200                 | 36 | 20  | 12 | M24 | 41 |
| HX15-8245DB      |                           |           | B   | 961  | 263 | 614 | 45   | 335 | 642              | 480  | 630  | 580  | 720  | 50  | 45 | 128 | 39  | 350 | 300                     | 250 | 5  | 20 | 42   | 12                | 46   | 110 | 140 | 200                 | 36 | 20  | 12 | M24 | 41 |
| HX15-8255DA      |                           |           | B   | 1080 | 320 | 670 | 50   | 375 | 710              | 520  | 670  | 630  | 780  | 55  | 55 | 140 | 39  | 350 | 300                     | 250 | 5  | 20 | 42   | 12                | 46   | 110 | 160 | 240                 | 40 | 22  | 13 | M30 | 49 |
| HX15-8255DB      |                           |           | B   | 1101 | 320 | 670 | 50   | 375 | 710              | 520  | 670  | 630  | 780  | 55  | 55 | 140 | 39  | 350 | 300                     | 250 | 5  | 20 | 42   | 12                | 46   | 110 | 160 | 240                 | 40 | 22  | 13 | M30 | 49 |
| HX15-8265DA      |                           |           | B   | 1211 | 390 | 736 | 55   | 400 | 768              | 590  | 770  | 700  | 880  | 55  | 55 | 160 | 45  | 350 | 300                     | 250 | 5  | 20 | 42   | 12                | 46   | 110 | 170 | 300                 | 40 | 22  | 13 | M30 | 49 |
| HX15-8275DA      |                           |           | C   | 1472 | 485 | 950 | 60   | 540 | 1015             | 420  | 1050 | 1040 | 1160 | 100 | 55 | 200 | 45  | 350 | 300                     | 250 | 5  | 20 | 42   | 12                | 46   | 110 | 180 | 330                 | 45 | 25  | 15 | M30 | 52 |
| HX20-8215DB      | 20<br>(15)                | 4<br>(6)  | B   | 793  | 210 | 485 | 40   | 265 | 508              | 395  | 480  | 475  | 580  | 40  | 50 | 110 | 26  | 350 | 300                     | 250 | 5  | 20 | 42   | 12                | 46   | 110 | 110 | 165                 | 28 | 16  | 10 | M20 | 34 |
| HX20-8225DB      |                           |           | B   | 859  | 230 | 526 | 40   | 280 | 543              | 420  | 540  | 520  | 620  | 50  | 40 | 115 | 33  | 350 | 300                     | 250 | 5  | 20 | 42   | 12                | 46   | 110 | 120 | 165                 | 32 | 18  | 11 | M20 | 34 |
| HX20-8235DA      |                           |           | B   | 896  | 260 | 562 | 45   | 300 | 581              | 460  | 580  | 560  | 670  | 50  | 45 | 120 | 33  | 350 | 300                     | 250 | 5  | 20 | 42   | 12                | 46   | 110 | 130 | 200                 | 32 | 18  | 11 | M24 | 41 |
| HX20-8235DB      |                           |           | B   | 924  | 260 | 562 | 45   | 300 | 581              | 460  | 580  | 560  | 670  | 50  | 45 | 120 | 33  | 350 | 300                     | 250 | 5  | 20 | 42   | 12                | 46   | 110 | 130 | 200                 | 32 | 18  | 11 | M24 | 41 |
| HX20-8245DA      |                           |           | B   | 934  | 263 | 614 | 45   | 335 | 642              | 480  | 630  | 580  | 720  | 50  | 45 | 128 | 39  | 350 | 300                     | 250 | 5  | 20 | 42   | 12                | 46   | 110 | 140 | 200                 | 36 | 20  | 12 | M24 | 41 |
| HX20-8245DB      |                           |           | B   | 961  | 263 | 614 | 45   | 335 | 642              | 480  | 630  | 580  | 720  | 50  | 45 | 128 | 39  | 350 | 300                     | 250 | 5  | 20 | 42   | 12                | 46   | 110 | 140 | 200                 | 36 | 20  | 12 | M24 | 41 |
| HX20-8255DA      |                           |           | B   | 1080 | 320 | 670 | 50   | 375 | 710              | 520  | 670  | 630  | 780  | 55  | 55 | 140 | 39  | 350 | 300                     | 250 | 5  | 20 | 42   | 12                | 46   | 110 | 160 | 240                 | 40 | 22  | 13 | M30 | 49 |
| HX20-8255DB      |                           |           | B   | 1101 | 320 | 670 | 50   | 375 | 710              | 520  | 670  | 630  | 780  | 55  | 55 | 140 | 39  | 350 | 300                     | 250 | 5  | 20 | 42   | 12                | 46   | 110 | 160 | 240                 | 40 | 22  | 13 | M30 | 49 |
| HX20-8265DA      |                           |           | B   | 1211 | 390 | 736 | 55   | 400 | 768              | 590  | 770  | 700  | 880  | 55  | 55 | 160 | 45  | 350 | 300                     | 250 | 5  | 20 | 42   | 12                | 46   | 110 | 170 | 300                 | 40 | 22  | 13 | M30 | 49 |
| HX20-8275DA      |                           |           | C   | 1472 | 485 | 950 | 60   | 540 | 1015             | 420  | 1050 | 1040 | 1160 | 100 | 55 | 200 | 45  | 350 | 300                     | 250 | 5  | 20 | 42   | 12                | 46   | 110 | 180 | 330                 | 45 | 25  | 15 | M30 | 52 |

\* Larger model available, contact Varitron or your sales personal. 如需更大型號，請洽中國變速。

\* Dimensions in above drawings are subject to change without notice. 尺寸若有變動，將不另行通知。

# H Single Stage Foot Mount Reducer with Input Shaft 單段臥式腳座型附入力軸

## Dimensions 外型尺寸表



| Frame Size<br>型號 | L    | G   | DC  | R  | C   | H    | Foot Stock 腳座 |      |      |      |     |    |     |    |
|------------------|------|-----|-----|----|-----|------|---------------|------|------|------|-----|----|-----|----|
|                  |      |     |     |    |     |      | E             | F    | M    | N    | P   | Q  | V   | d  |
| H-8090           | 202  | 60  | 150 | 12 | 100 | 207  | 90            | 150  | 135  | 180  | 15  | 15 | 40  | 11 |
| H-8105           | 208  | 60  | 150 | 12 | 100 | 207  | 90            | 150  | 135  | 180  | 15  | 15 | 40  | 11 |
| H-8125           | 259  | 82  | 204 | 15 | 120 | 257  | 115           | 190  | 155  | 230  | 20  | 20 | 55  | 14 |
| H-8135           | 321  | 100 | 230 | 22 | 150 | 300  | 145           | 290  | 195  | 330  | 25  | 20 | 65  | 18 |
| H-8145           | 341  | 120 | 230 | 22 | 150 | 300  | 145           | 290  | 195  | 330  | 25  | 20 | 65  | 18 |
| H-8165           | 413  | 139 | 318 | 25 | 160 | 367  | 150           | 370  | 238  | 410  | 44  | 20 | 75  | 18 |
| H-8175           | 477  | 125 | 362 | 30 | 200 | 429  | 275           | 380  | 335  | 430  | 30  | 25 | 80  | 22 |
| H-8185           | 527  | 145 | 390 | 30 | 220 | 467  | 320           | 420  | 380  | 470  | 30  | 25 | 85  | 22 |
| H-8195           | 620  | 170 | 451 | 35 | 250 | 539  | 380           | 480  | 440  | 530  | 30  | 25 | 90  | 26 |
| H-8205           | 678  | 215 | 471 | 35 | 250 | 530  | 360           | 440  | 440  | 530  | 40  | 45 | 100 | 26 |
| H-8215           | 708  | 210 | 507 | 40 | 265 | 575  | 395           | 480  | 475  | 580  | 40  | 50 | 110 | 26 |
| H-8225           | 752  | 230 | 549 | 40 | 280 | 610  | 420           | 540  | 520  | 620  | 50  | 40 | 115 | 33 |
| H-8235           | 839  | 260 | 591 | 45 | 300 | 667  | 460           | 580  | 560  | 670  | 50  | 45 | 120 | 33 |
| H-8245           | 877  | 263 | 637 | 45 | 335 | 729  | 480           | 630  | 580  | 720  | 50  | 45 | 128 | 39 |
| H-8255           | 1040 | 320 | 703 | 50 | 375 | 815  | 520           | 670  | 630  | 780  | 55  | 55 | 140 | 39 |
| H-8265           | 1150 | 390 | 772 | 55 | 400 | 874  | 590           | 770  | 700  | 880  | 55  | 55 | 160 | 45 |
| H-8275           | 1462 | 485 | 986 | 60 | 540 | 1161 | 420           | 1050 | 1040 | 1160 | 100 | 55 | 200 | 45 |

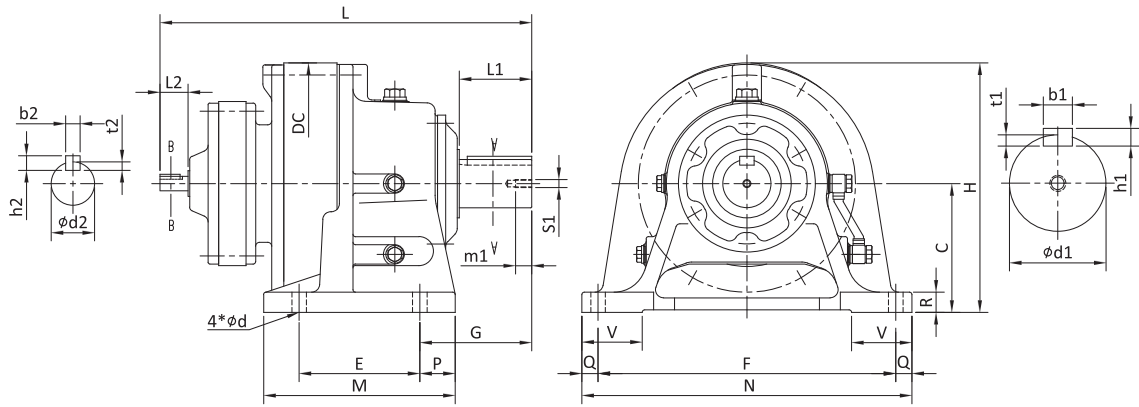
| Frame Size<br>型號 | Output Shaft 出力軸 |     |    |    |     |     |    |    | Input Shaft 入力軸 |    |    |     |      | W(kg) |
|------------------|------------------|-----|----|----|-----|-----|----|----|-----------------|----|----|-----|------|-------|
|                  | d1               | L1  | b1 | h1 | t1  | S1  | m1 | d2 | L2              | b2 | h2 | t2  |      |       |
| H-8090           | 28               | 35  | 8  | 7  | 4   | M8  | 20 | 15 | 25              | 5  | 5  | 3   | 11   |       |
| H-8105           | 28               | 35  | 8  | 7  | 4   | M8  | 20 | 15 | 25              | 5  | 5  | 3   | 13   |       |
| H-8125           | 38               | 55  | 10 | 8  | 5   | M8  | 20 | 18 | 35              | 6  | 6  | 3.5 | 24   |       |
| H-8135           | 50               | 70  | 14 | 9  | 5.5 | M10 | 18 | 22 | 40              | 6  | 6  | 3.5 | 43   |       |
| H-8145           | 50               | 90  | 14 | 9  | 5.5 | M10 | 18 | 22 | 40              | 6  | 6  | 3.5 | 44   |       |
| H-8165           | 60               | 90  | 18 | 11 | 7   | M10 | 18 | 30 | 45              | 8  | 7  | 4   | 84   |       |
| H-8175           | 70               | 90  | 20 | 12 | 7.5 | M12 | 24 | 35 | 55              | 10 | 8  | 5   | 125  |       |
| H-8185           | 80               | 110 | 22 | 14 | 9   | M12 | 24 | 40 | 65              | 12 | 8  | 5   | 163  |       |
| H-8195           | 95               | 135 | 25 | 14 | 9   | M20 | 34 | 45 | 70              | 14 | 9  | 5.5 | 240  |       |
| H-8205           | 100              | 165 | 28 | 16 | 10  | M20 | 34 | 45 | 82              | 14 | 9  | 5.5 | 255  |       |
| H-8215           | 110              | 165 | 28 | 16 | 10  | M20 | 34 | 50 | 82              | 14 | 9  | 5.5 | 336  |       |
| H-8225           | 120              | 165 | 32 | 18 | 11  | M20 | 34 | 55 | 82              | 16 | 10 | 6   | 409  |       |
| H-8235           | 130              | 200 | 32 | 18 | 11  | M24 | 41 | 60 | 105             | 18 | 11 | 7   | 503  |       |
| H-8245           | 140              | 200 | 36 | 20 | 12  | M24 | 41 | 65 | 105             | 18 | 11 | 7   | 614  |       |
| H-8255           | 160              | 240 | 40 | 22 | 13  | M30 | 49 | 80 | 130             | 22 | 14 | 9   | 957  |       |
| H-8265           | 170              | 300 | 40 | 22 | 13  | M30 | 49 | 80 | 130             | 22 | 14 | 9   | 1190 |       |
| H-8275           | 180              | 330 | 45 | 25 | 15  | M30 | 52 | 90 | 150             | 25 | 14 | 9   | 2460 |       |

※ Dimensions in above drawings are subject to change without notice. 尺寸若有變動，將不另行通知。



# H Double Stage Foot Mount Reducer with Input Shaft 雙段臥式腳座型附入力軸

## Dimensions 外型尺寸表



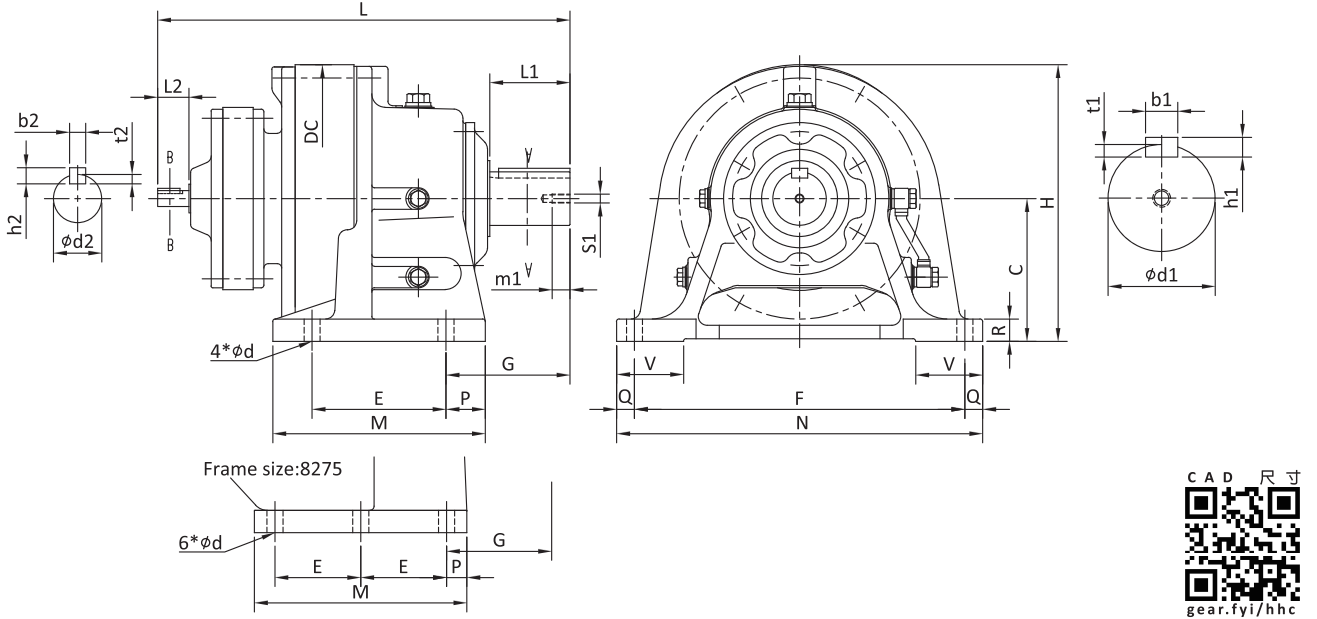
| Frame Size<br>型號 | L   | G   | DC  | R  | C   | H   | Foot Stock 腳座 |     |     |     |    |    |    |    |
|------------------|-----|-----|-----|----|-----|-----|---------------|-----|-----|-----|----|----|----|----|
|                  |     |     |     |    |     |     | E             | F   | M   | N   | P  | Q  | V  | d  |
| H-8090DA         | 243 | 60  | 150 | 12 | 100 | 207 | 90            | 150 | 135 | 180 | 15 | 15 | 40 | 11 |
| H-8105DA         | 257 | 60  | 150 | 12 | 100 | 207 | 90            | 150 | 135 | 180 | 15 | 15 | 40 | 11 |
| H-8125DA         | 293 | 82  | 204 | 15 | 120 | 257 | 115           | 190 | 155 | 230 | 20 | 20 | 55 | 14 |
| H-8125DB         | 312 | 82  | 204 | 15 | 120 | 257 | 115           | 190 | 155 | 230 | 20 | 20 | 55 | 14 |
| H-8135DA         | 347 | 100 | 230 | 22 | 150 | 300 | 145           | 290 | 195 | 330 | 25 | 20 | 65 | 18 |
| H-8135DB         | 363 | 100 | 230 | 22 | 150 | 300 | 145           | 290 | 195 | 330 | 25 | 20 | 65 | 18 |
| H-8135DC         | 369 | 100 | 230 | 22 | 150 | 300 | 145           | 290 | 195 | 330 | 25 | 20 | 65 | 18 |
| H-8145DA         | 367 | 120 | 230 | 22 | 150 | 300 | 145           | 290 | 195 | 330 | 25 | 20 | 65 | 18 |
| H-8145DB         | 383 | 120 | 230 | 22 | 150 | 300 | 145           | 290 | 195 | 330 | 25 | 20 | 65 | 18 |
| H-8145DC         | 389 | 120 | 230 | 22 | 150 | 300 | 145           | 290 | 195 | 330 | 25 | 20 | 65 | 18 |
| H-8165DA         | 433 | 139 | 300 | 25 | 160 | 349 | 150           | 370 | 238 | 410 | 44 | 20 | 75 | 18 |
| H-8165DB         | 439 | 139 | 300 | 25 | 160 | 349 | 150           | 370 | 238 | 410 | 44 | 20 | 75 | 18 |
| H-8165DC         | 462 | 139 | 300 | 25 | 160 | 349 | 150           | 370 | 238 | 410 | 44 | 20 | 75 | 18 |
| H-8175DA         | 478 | 125 | 340 | 30 | 200 | 416 | 275           | 380 | 335 | 430 | 30 | 25 | 80 | 22 |
| H-8175DB         | 484 | 125 | 340 | 30 | 200 | 416 | 275           | 380 | 335 | 430 | 30 | 25 | 80 | 22 |
| H-8175DC         | 509 | 125 | 340 | 30 | 200 | 416 | 275           | 380 | 335 | 430 | 30 | 25 | 80 | 22 |
| H-8185DA         | 526 | 145 | 370 | 30 | 220 | 451 | 320           | 420 | 380 | 470 | 30 | 25 | 85 | 22 |
| H-8185DB         | 577 | 145 | 370 | 30 | 220 | 451 | 320           | 420 | 380 | 470 | 30 | 25 | 85 | 22 |

| Frame Size<br>型號 | Output Shaft 出力軸 |     |    |    |     |     |    | Input Shaft 入力軸 |    |    |    |     | W(kg) |
|------------------|------------------|-----|----|----|-----|-----|----|-----------------|----|----|----|-----|-------|
|                  | d1               | L1  | b1 | h1 | t1  | S1  | m1 | d2              | L2 | b2 | h2 | t2  |       |
| H-8090DA         | 28               | 35  | 8  | 7  | 4   | M8  | 20 | 12              | 25 | 4  | 4  | 2.5 | 12    |
| H-8105DA         | 28               | 35  | 8  | 7  | 4   | M8  | 20 | 12              | 25 | 4  | 4  | 2.5 | 15    |
| H-8125DA         | 38               | 55  | 10 | 8  | 5   | M8  | 20 | 12              | 25 | 4  | 4  | 2.5 | 26    |
| H-8125DB         | 38               | 55  | 10 | 8  | 5   | M8  | 20 | 15              | 25 | 5  | 5  | 3   | 29    |
| H-8135DA         | 50               | 70  | 14 | 9  | 5.5 | M10 | 18 | 12              | 25 | 4  | 4  | 2.5 | 41    |
| H-8135DB         | 50               | 70  | 14 | 9  | 5.5 | M10 | 18 | 15              | 25 | 5  | 5  | 3   | 45    |
| H-8135DC         | 50               | 70  | 14 | 9  | 5.5 | M10 | 18 | 15              | 25 | 5  | 5  | 3   | 46    |
| H-8145DA         | 50               | 90  | 14 | 9  | 5.5 | M10 | 18 | 12              | 25 | 4  | 4  | 2.5 | 41    |
| H-8145DB         | 50               | 90  | 14 | 9  | 5.5 | M10 | 18 | 15              | 25 | 5  | 5  | 3   | 45    |
| H-8145DC         | 50               | 90  | 14 | 9  | 5.5 | M10 | 18 | 15              | 25 | 5  | 5  | 3   | 46    |
| H-8165DA         | 60               | 90  | 18 | 11 | 7   | M10 | 18 | 15              | 25 | 5  | 5  | 3   | 85    |
| H-8165DB         | 60               | 90  | 18 | 11 | 7   | M10 | 18 | 15              | 25 | 5  | 5  | 3   | 87    |
| H-8165DC         | 60               | 90  | 18 | 11 | 7   | M10 | 18 | 18              | 35 | 6  | 6  | 3.5 | 94    |
| H-8175DA         | 70               | 90  | 20 | 12 | 7.5 | M12 | 24 | 15              | 25 | 5  | 5  | 3   | 121   |
| H-8175DB         | 70               | 90  | 20 | 12 | 7.5 | M12 | 24 | 15              | 25 | 5  | 5  | 3   | 123   |
| H-8175DC         | 70               | 90  | 20 | 12 | 7.5 | M12 | 24 | 18              | 35 | 6  | 6  | 3.5 | 128   |
| H-8185DA         | 80               | 110 | 22 | 14 | 9   | M12 | 24 | 15              | 25 | 5  | 5  | 3   | 165   |
| H-8185DB         | 80               | 110 | 22 | 14 | 9   | M12 | 24 | 22              | 40 | 6  | 6  | 3.5 | 183   |

※ Dimensions in above drawings are subject to change without notice. 尺寸若有變動，將不另行通知。

# H Double Stage Foot Mount Reducer with Input Shaft 雙段臥式腳座型附入力軸

## Dimensions 外型尺寸表



| Frame Size<br>型號 | L    | G   | DC  | R  | C   | H    | Foot Stock 腳座 |      |      |      |     |    |     |    |
|------------------|------|-----|-----|----|-----|------|---------------|------|------|------|-----|----|-----|----|
|                  |      |     |     |    |     |      | E             | F    | M    | N    | P   | Q  | V   | d  |
| H-8195DA         | 629  | 170 | 430 | 35 | 250 | 531  | 380           | 480  | 440  | 530  | 30  | 25 | 90  | 26 |
| H-8195DB         | 653  | 170 | 430 | 35 | 250 | 531  | 380           | 480  | 440  | 530  | 30  | 25 | 90  | 26 |
| H-8205DA         | 670  | 215 | 448 | 35 | 250 | 530  | 360           | 440  | 440  | 530  | 40  | 45 | 100 | 26 |
| H-8205DB         | 705  | 215 | 448 | 35 | 250 | 530  | 360           | 440  | 440  | 530  | 40  | 45 | 100 | 26 |
| H-8215DA         | 731  | 210 | 485 | 40 | 265 | 575  | 395           | 480  | 475  | 580  | 40  | 50 | 110 | 26 |
| H-8215DB         | 780  | 210 | 485 | 40 | 265 | 575  | 395           | 480  | 475  | 580  | 40  | 50 | 110 | 26 |
| H-8225DA         | 773  | 230 | 526 | 40 | 280 | 610  | 420           | 540  | 520  | 620  | 50  | 40 | 115 | 33 |
| H-8225DB         | 860  | 230 | 526 | 40 | 280 | 610  | 420           | 540  | 520  | 620  | 50  | 40 | 115 | 33 |
| H-8235DA         | 883  | 260 | 562 | 45 | 300 | 667  | 460           | 580  | 560  | 670  | 50  | 45 | 120 | 33 |
| H-8235DB         | 938  | 260 | 562 | 45 | 300 | 667  | 460           | 580  | 560  | 670  | 50  | 45 | 120 | 33 |
| H-8245DA         | 921  | 263 | 614 | 45 | 335 | 729  | 480           | 630  | 580  | 720  | 50  | 45 | 128 | 39 |
| H-8245DB         | 975  | 263 | 614 | 45 | 335 | 729  | 480           | 630  | 580  | 720  | 50  | 45 | 128 | 39 |
| H-8255DA         | 1081 | 320 | 670 | 50 | 375 | 815  | 520           | 670  | 630  | 780  | 55  | 55 | 140 | 39 |
| H-8255DB         | 1133 | 320 | 670 | 50 | 375 | 815  | 520           | 670  | 630  | 780  | 55  | 55 | 140 | 39 |
| H-8265DA         | 1243 | 390 | 736 | 55 | 400 | 874  | 590           | 770  | 700  | 880  | 55  | 55 | 160 | 45 |
| H-8275DA         | 1504 | 485 | 950 | 60 | 540 | 1151 | 420           | 1050 | 1040 | 1160 | 100 | 55 | 200 | 45 |

| Frame Size<br>型號 | Output Shaft 出力軸 |     |    |    |    |     |    | Input Shaft 入力軸 |    |    |    |     | W(kg) |
|------------------|------------------|-----|----|----|----|-----|----|-----------------|----|----|----|-----|-------|
|                  | d1               | L1  | b1 | h1 | t1 | S1  | m1 | d2              | L2 | b2 | h2 | t2  |       |
| H-8195DA         | 95               | 135 | 25 | 14 | 9  | M20 | 34 | 18              | 35 | 6  | 6  | 3.5 | 241   |
| H-8195DB         | 95               | 135 | 25 | 14 | 9  | M20 | 34 | 22              | 40 | 6  | 6  | 3.5 | 250   |
| H-8205DA         | 100              | 165 | 28 | 16 | 10 | M20 | 34 | 18              | 35 | 6  | 6  | 3.5 | 260   |
| H-8205DB         | 100              | 165 | 28 | 16 | 10 | M20 | 34 | 22              | 40 | 6  | 6  | 3.5 | 273   |
| H-8215DA         | 110              | 165 | 28 | 16 | 10 | M20 | 34 | 22              | 40 | 6  | 6  | 3.5 | 354   |
| H-8215DB         | 110              | 165 | 28 | 16 | 10 | M20 | 34 | 30              | 45 | 8  | 7  | 4   | 376   |
| H-8225DA         | 120              | 165 | 32 | 18 | 11 | M20 | 34 | 22              | 40 | 6  | 6  | 3.5 | 429   |
| H-8225DB         | 120              | 165 | 32 | 18 | 11 | M20 | 34 | 35              | 55 | 10 | 8  | 5   | 476   |
| H-8235DA         | 130              | 200 | 32 | 18 | 11 | M24 | 41 | 30              | 45 | 8  | 7  | 4   | 548   |
| H-8235DB         | 130              | 200 | 32 | 18 | 11 | M24 | 41 | 40              | 65 | 12 | 8  | 5   | 582   |
| H-8245DA         | 140              | 200 | 36 | 20 | 12 | M24 | 41 | 30              | 45 | 8  | 7  | 4   | 656   |
| H-8245DB         | 140              | 200 | 36 | 20 | 12 | M24 | 41 | 40              | 65 | 12 | 8  | 5   | 686   |
| H-8255DA         | 160              | 240 | 40 | 22 | 13 | M30 | 49 | 35              | 55 | 10 | 8  | 5   | 1010  |
| H-8255DB         | 160              | 240 | 40 | 22 | 13 | M30 | 49 | 45              | 70 | 14 | 9  | 5.5 | 1085  |
| H-8265DA         | 170              | 300 | 40 | 22 | 13 | M30 | 49 | 45              | 70 | 14 | 9  | 5.5 | 1340  |
| H-8275DA         | 180              | 330 | 45 | 25 | 15 | M30 | 52 | 45              | 70 | 14 | 9  | 5.5 | 2480  |

※ Dimensions in above drawings are subject to change without notice. 尺寸若有變動，將不另行通知。

# VM Single Stage Flange Mount Gearmotor 單段法蘭附馬達型

## Dimensions 外型尺寸表

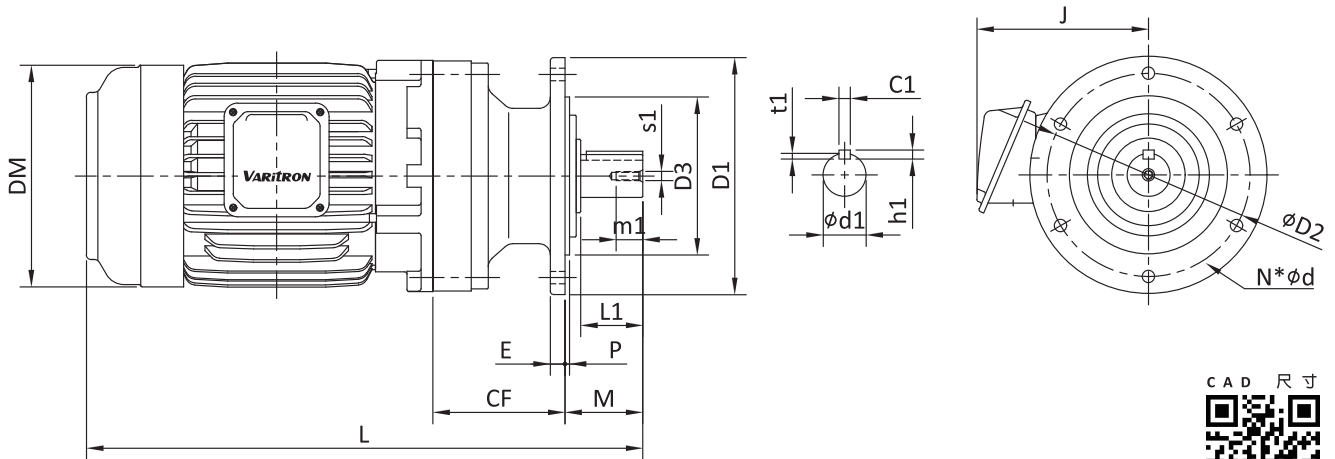


FIG.圖 A

| Frame Size<br>型號 | Motor<br>馬達    |     | Fig.<br>圖 | L   | CF  | M   | E   | P   | J   | DM  | W<br>(kg) | Flange<br>法蘭面 |     |     |    |     | Output Shaft<br>出力軸 |     |    |     |     |     |    |
|------------------|----------------|-----|-----------|-----|-----|-----|-----|-----|-----|-----|-----------|---------------|-----|-----|----|-----|---------------------|-----|----|-----|-----|-----|----|
|                  | Hp<br>(kW)     | P   |           |     |     |     |     |     |     |     |           | D1            | D2  | D3  | N  | d   | d1                  | L1  | C1 | h1  | t1  | s1  | m1 |
| VM05-8090        | 1/2<br>(0.37)  | 4   | A         | 412 | 108 | 48  | 9   | 3   | 133 | 162 | 24        | 160           | 134 | 110 | 4  | 11  | 28                  | 35  | 8  | 7   | 4   | M8  | 20 |
| VM05-8105        |                |     | A         | 412 | 108 | 48  | 9   | 3   | 133 | 162 | 24        | 160           | 134 | 110 | 4  | 11  | 28                  | 35  | 8  | 7   | 4   | M8  | 20 |
| VM05-8125        |                |     | A         | 442 | 117 | 69  | 13  | 4   | 133 | 162 | 33        | 210           | 180 | 140 | 6  | 11  | 38                  | 55  | 10 | 8   | 5   | M8  | 20 |
| VM1-8090         | 1<br>(0.75)    | 4   | A         | 430 | 108 | 48  | 9   | 3   | 144 | 177 | 31        | 160           | 134 | 110 | 4  | 11  | 28                  | 35  | 8  | 7   | 4   | M8  | 20 |
| VM1-8105         |                |     | A         | 430 | 108 | 48  | 9   | 3   | 144 | 177 | 32        | 160           | 134 | 110 | 4  | 11  | 28                  | 35  | 8  | 7   | 4   | M8  | 20 |
| VM1-8125         |                |     | A         | 460 | 117 | 69  | 13  | 4   | 144 | 177 | 41        | 210           | 180 | 140 | 6  | 11  | 38                  | 55  | 10 | 8   | 5   | M8  | 20 |
| VM1-8135         |                |     | A         | 514 | 164 | 76  | 15  | 4   | 144 | 177 | 60        | 260           | 230 | 200 | 6  | 11  | 50                  | 61  | 14 | 9   | 5.5 | M10 | 18 |
| VM1-8145         |                |     | A         | 534 | 164 | 96  | 15  | 4   | 144 | 177 | 61        | 260           | 230 | 200 | 6  | 11  | 50                  | 81  | 14 | 9   | 5.5 | M10 | 18 |
| VM2-8105         | 2<br>(1.5)     | 4   | A         | 467 | 108 | 48  | 9   | 3   | 157 | 200 | 40        | 160           | 134 | 110 | 4  | 11  | 28                  | 35  | 8  | 7   | 4   | M8  | 20 |
| VM2-8125         |                |     | A         | 498 | 117 | 69  | 13  | 4   | 157 | 200 | 49        | 210           | 180 | 140 | 6  | 11  | 38                  | 55  | 10 | 8   | 5   | M8  | 20 |
| VM2-8135         |                |     | A         | 557 | 164 | 76  | 15  | 4   | 157 | 200 | 68        | 260           | 230 | 200 | 6  | 11  | 50                  | 61  | 14 | 9   | 5.5 | M10 | 18 |
| VM2-8145         |                |     | A         | 576 | 164 | 96  | 15  | 4   | 157 | 200 | 69        | 260           | 230 | 200 | 6  | 11  | 50                  | 81  | 14 | 9   | 5.5 | M10 | 18 |
| VM2-8165         |                |     | B         | 625 | 219 | 89  | 20  | 4   | 157 | 200 | 108       | 340           | 310 | 270 | 6  | 11  | 60                  | 80  | 18 | 11  | 7   | M10 | 18 |
| VM3-8105         | 3<br>(2.2)     | 4   | A         | 496 | 108 | 48  | 9   | 3   | 180 | 219 | 44        | 160           | 134 | 110 | 4  | 11  | 28                  | 35  | 8  | 7   | 4   | M8  | 20 |
| VM3-8125         |                |     | A         | 526 | 117 | 69  | 13  | 4   | 180 | 219 | 56        | 210           | 180 | 140 | 6  | 11  | 38                  | 55  | 10 | 8   | 5   | M8  | 20 |
| VM3-8135         |                |     | A         | 585 | 164 | 76  | 15  | 4   | 180 | 219 | 75        | 260           | 230 | 200 | 6  | 11  | 50                  | 61  | 14 | 9   | 5.5 | M10 | 18 |
| VM3-8145         |                |     | A         | 605 | 164 | 96  | 15  | 4   | 180 | 219 | 76        | 260           | 230 | 200 | 6  | 11  | 50                  | 81  | 14 | 9   | 5.5 | M10 | 18 |
| VM3-8165         |                |     | B         | 635 | 219 | 89  | 20  | 4   | 180 | 219 | 116       | 340           | 310 | 270 | 6  | 11  | 60                  | 80  | 18 | 11  | 7   | M10 | 18 |
| VM5-8125         | 5<br>(3.7)     | 4   | A         | 582 | 117 | 69  | 13  | 4   | 189 | 238 | 66        | 210           | 180 | 140 | 6  | 11  | 38                  | 55  | 10 | 8   | 5   | M8  | 20 |
| VM5-8135         |                |     | A         | 641 | 164 | 76  | 15  | 4   | 189 | 238 | 85        | 260           | 230 | 200 | 6  | 11  | 50                  | 61  | 14 | 9   | 5.5 | M10 | 18 |
| VM5-8145         |                |     | A         | 661 | 164 | 96  | 15  | 4   | 189 | 238 | 86        | 260           | 230 | 200 | 6  | 11  | 50                  | 81  | 14 | 9   | 5.5 | M10 | 18 |
| VM5-8165         |                |     | B         | 709 | 219 | 89  | 20  | 4   | 189 | 238 | 126       | 340           | 310 | 270 | 6  | 11  | 60                  | 80  | 18 | 11  | 7   | M10 | 18 |
| VM5-8175         |                |     | B         | 718 | 258 | 94  | 22  | 5   | 189 | 238 | 171       | 400           | 360 | 316 | 8  | 14  | 70                  | 84  | 20 | 12  | 7.5 | M12 | 24 |
| VM5-8185         | B              | 760 | 279       | 110 | 22  | 5   | 189 | 238 | 222 | 430 | 390       | 345           | 8   | 18  | 80 | 100 | 22                  | 14  | 9  | M12 | 24  |     |    |
| VM8-8135         | 7 1/2<br>(5.5) | 4   | A         | 634 | 164 | 76  | 15  | 4   | 224 | 273 | 108       | 260           | 230 | 200 | 6  | 11  | 50                  | 61  | 14 | 9   | 5.5 | M10 | 18 |
| VM8-8145         |                |     | B         | 654 | 164 | 96  | 15  | 4   | 224 | 273 | 109       | 260           | 230 | 200 | 6  | 11  | 50                  | 81  | 14 | 9   | 5.5 | M10 | 18 |
| VM8-8165         |                |     | B         | 712 | 219 | 89  | 20  | 4   | 224 | 273 | 144       | 340           | 310 | 270 | 6  | 11  | 60                  | 80  | 18 | 11  | 7   | M10 | 18 |
| VM8-8175         |                |     | B         | 756 | 258 | 94  | 22  | 5   | 224 | 273 | 196       | 400           | 360 | 316 | 8  | 14  | 70                  | 84  | 20 | 12  | 7.5 | M12 | 24 |
| VM8-8185         |                |     | B         | 808 | 279 | 110 | 22  | 5   | 224 | 273 | 209       | 430           | 390 | 345 | 8  | 18  | 80                  | 100 | 22 | 14  | 9   | M12 | 24 |
| VM8-8195         | B              | 869 | 320       | 145 | 30  | 6   | 224 | 273 | 287 | 490 | 450       | 400           | 12  | 18  | 95 | 100 | 25                  | 14  | 9  | M20 | 34  |     |    |

※ For brake model's dimension and weight, contact Varitron® or your sales personal. 如需附剎車款式，相關尺寸及重量請洽中國變速。

※ Dimensions in above drawings are subject to change without notice. 尺寸若有變動，將不另行通知。

# VM Single Stage Flange Mount Gearmotor 單段法蘭附馬達型

## Dimensions 外型尺寸表

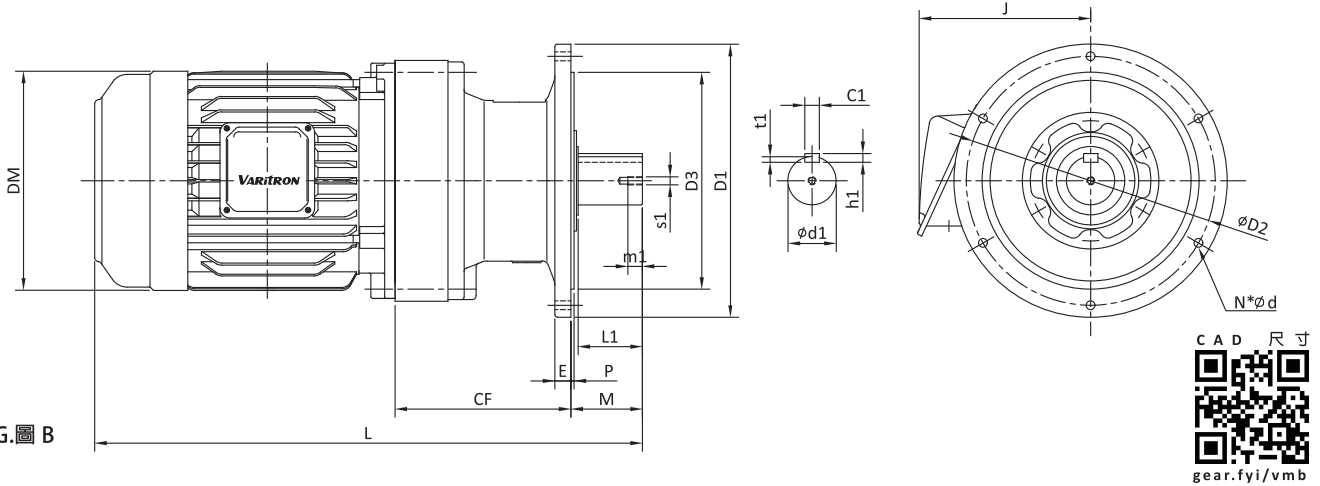


FIG. 圖 B

| Frame Size<br>型號 | Motor<br>馬達  |      | Fig.<br>圖    | L    | CF  | M   | E   | P   | J   | DM  | W<br>(kg) | Flange<br>法蘭面 |     |     |     |     | Output Shaft<br>出力軸 |     |    |     |     |     |     |
|------------------|--------------|------|--------------|------|-----|-----|-----|-----|-----|-----|-----------|---------------|-----|-----|-----|-----|---------------------|-----|----|-----|-----|-----|-----|
|                  | Hp<br>(kW)   | P    |              |      |     |     |     |     |     |     |           | D1            | D2  | D3  | N   | d   | d1                  | L1  | C1 | h1  | t1  | s1  | m1  |
| VM10-8135        | 10<br>(7.5)  | 4    | A            | 672  | 164 | 76  | 15  | 4   | 224 | 273 | 120       | 260           | 230 | 200 | 6   | 11  | 50                  | 61  | 14 | 9   | 5.5 | M10 | 18  |
| VM10-8145        |              |      | A            | 692  | 164 | 96  | 15  | 4   | 224 | 273 | 121       | 260           | 230 | 200 | 6   | 11  | 50                  | 81  | 14 | 9   | 5.5 | M10 | 18  |
| VM10-8165        |              |      | B            | 750  | 219 | 89  | 20  | 4   | 224 | 273 | 155       | 340           | 310 | 270 | 6   | 11  | 60                  | 80  | 18 | 11  | 7   | M10 | 18  |
| VM10-8175        |              |      | B            | 794  | 258 | 94  | 22  | 5   | 224 | 273 | 200       | 400           | 360 | 316 | 8   | 14  | 70                  | 84  | 20 | 12  | 7.5 | M12 | 24  |
| VM10-8185        |              |      | B            | 846  | 279 | 110 | 22  | 5   | 224 | 273 | 221       | 430           | 390 | 345 | 8   | 18  | 80                  | 100 | 22 | 14  | 9   | M12 | 24  |
| VM10-8195        |              |      | B            | 907  | 320 | 145 | 30  | 6   | 224 | 273 | 300       | 490           | 450 | 400 | 12  | 18  | 95                  | 125 | 25 | 14  | 9   | M20 | 34  |
| VM15-8165        | 15<br>(11)   | 4    | B            | 818  | 219 | 89  | 20  | 4   | 263 | 334 | 200       | 340           | 310 | 270 | 6   | 11  | 60                  | 80  | 18 | 11  | 7   | M10 | 18  |
| VM15-8175        |              |      | B            | 862  | 258 | 94  | 22  | 5   | 263 | 334 | 242       | 400           | 360 | 316 | 8   | 14  | 70                  | 84  | 20 | 12  | 7.5 | M12 | 24  |
| VM15-8185        |              |      | B            | 899  | 279 | 110 | 22  | 5   | 263 | 334 | 266       | 430           | 390 | 345 | 8   | 18  | 80                  | 100 | 22 | 14  | 9   | M12 | 24  |
| VM15-8195        |              |      | B            | 975  | 320 | 145 | 30  | 6   | 263 | 334 | 344       | 490           | 450 | 400 | 12  | 18  | 95                  | 125 | 25 | 14  | 9   | M20 | 34  |
| VM15-8205        |              |      | B            | 1022 | 298 | 204 | 30  | 5   | 263 | 334 | 364       | 455           | 405 | 355 | 8   | 22  | 100                 | 165 | 28 | 16  | 10  | M20 | 34  |
| VM15-8215        |              |      | B            | 1046 | 323 | 203 | 35  | 7   | 263 | 334 | 420       | 490           | 440 | 390 | 8   | 24  | 110                 | 165 | 28 | 16  | 10  | M20 | 34  |
| VM20-8165        | 20<br>(15)   | 4    | B            | 862  | 219 | 89  | 20  | 4   | 263 | 334 | 213       | 340           | 310 | 270 | 6   | 11  | 60                  | 80  | 18 | 11  | 7   | M10 | 18  |
| VM20-8175        |              |      | B            | 906  | 258 | 94  | 22  | 5   | 263 | 334 | 260       | 400           | 360 | 316 | 8   | 14  | 70                  | 84  | 20 | 12  | 7.5 | M12 | 24  |
| VM20-8185        |              |      | B            | 943  | 279 | 110 | 22  | 5   | 263 | 334 | 281       | 430           | 390 | 345 | 8   | 18  | 80                  | 100 | 22 | 14  | 9   | M12 | 24  |
| VM20-8195        |              |      | B            | 1019 | 320 | 145 | 30  | 6   | 263 | 334 | 357       | 490           | 450 | 400 | 12  | 18  | 95                  | 125 | 25 | 14  | 9   | M20 | 34  |
| VM20-8205        |              |      | B            | 1066 | 298 | 204 | 30  | 5   | 263 | 334 | 377       | 455           | 405 | 355 | 8   | 22  | 100                 | 165 | 28 | 16  | 10  | M20 | 34  |
| VM20-8215        |              |      | B            | 1090 | 323 | 203 | 35  | 7   | 263 | 334 | 432       | 490           | 440 | 390 | 8   | 24  | 110                 | 165 | 28 | 16  | 10  | M20 | 34  |
| VM20-8225        | B            | 1130 | 356          | 210  | 35  | 10  | 263 | 334 | 543 | 535 | 475       | 415           | 8   | 27  | 120 | 165 | 32                  | 18  | 11 | M20 | 34  |     |     |
| VM206-8205       | 20<br>(15)   | 6    | B            | 1077 | 298 | 204 | 30  | 5   | 305 | 382 | 435       | 455           | 405 | 355 | 8   | 22  | 100                 | 165 | 28 | 16  | 10  | M20 | 34  |
| VM206-8215       |              |      | B            | 1101 | 323 | 203 | 35  | 7   | 305 | 382 | 490       | 490           | 440 | 390 | 8   | 24  | 110                 | 165 | 28 | 16  | 10  | M20 | 34  |
| VM206-8225       |              |      | B            | 1151 | 356 | 210 | 35  | 10  | 305 | 382 | 607       | 535           | 475 | 415 | 8   | 27  | 120                 | 165 | 32 | 18  | 11  | M20 | 34  |
| VM206-8235       |              |      | B            | 1223 | 378 | 250 | 40  | 10  | 305 | 382 | 694       | 570           | 510 | 450 | 8   | 27  | 130                 | 200 | 32 | 18  | 11  | M24 | 41  |
| VM206-8245       |              |      | B            | 1257 | 407 | 250 | 40  | 10  | 305 | 382 | 755       | 635           | 560 | 485 | 8   | 33  | 140                 | 200 | 36 | 20  | 12  | M24 | 41  |
| VM25-8175        |              |      | 25<br>(18.5) | 4    | B   | 917 | 258 | 94  | 22  | 5   | 305       | 382           | 320 | 400 | 360 | 316 | 8                   | 14  | 70 | 84  | 20  | 12  | 7.5 |
| VM25-8185        | B            | 959  |              |      | 279 | 110 | 22  | 5   | 305 | 382 | 336       | 430           | 390 | 345 | 8   | 18  | 80                  | 100 | 22 | 14  | 9   | M12 | 24  |
| VM25-8195        | B            | 1035 |              |      | 320 | 145 | 30  | 6   | 305 | 382 | 414       | 490           | 450 | 400 | 12  | 18  | 95                  | 125 | 25 | 14  | 9   | M20 | 34  |
| VM25-8205        | B            | 1077 |              |      | 298 | 204 | 30  | 5   | 305 | 382 | 435       | 455           | 405 | 355 | 8   | 22  | 100                 | 165 | 28 | 16  | 10  | M20 | 34  |
| VM25-8215        | B            | 1101 |              |      | 323 | 203 | 35  | 7   | 305 | 382 | 491       | 490           | 440 | 390 | 8   | 24  | 110                 | 165 | 28 | 16  | 10  | M20 | 34  |
| VM25-8225        | B            | 1151 |              |      | 356 | 210 | 35  | 10  | 305 | 382 | 603       | 535           | 475 | 415 | 8   | 27  | 120                 | 165 | 32 | 18  | 11  | M20 | 34  |
| VM256-8195       | 25<br>(18.5) | 6    | B            | 1073 | 320 | 145 | 30  | 6   | 305 | 382 | 440       | 490           | 450 | 400 | 12  | 18  | 95                  | 125 | 25 | 14  | 9   | M20 | 34  |
| VM256-8215       |              |      | B            | 1111 | 323 | 203 | 35  | 7   | 305 | 382 | 500       | 490           | 440 | 390 | 8   | 24  | 110                 | 165 | 28 | 16  | 10  | M20 | 34  |
| VM256-8225       |              |      | B            | 1189 | 356 | 210 | 35  | 10  | 305 | 382 | 613       | 535           | 475 | 415 | 8   | 27  | 120                 | 165 | 32 | 18  | 11  | M20 | 34  |
| VM256-8235       |              |      | B            | 1251 | 407 | 250 | 40  | 10  | 305 | 382 | 665       | 635           | 560 | 485 | 8   | 33  | 140                 | 200 | 36 | 20  | 12  | M24 | 41  |
| VM256-8245       |              |      | B            | 1295 | 480 | 295 | 45  | 10  | 305 | 382 | 765       | 685           | 610 | 535 | 8   | 33  | 160                 | 240 | 40 | 22  | 13  | M30 | 49  |
| VM256-8255       |              |      | B            | 1415 | 480 | 295 | 45  | 10  | 305 | 382 | 1040      | 685           | 610 | 535 | 8   | 33  | 160                 | 240 | 40 | 22  | 13  | M30 | 49  |

※ For brake model's dimension and weight, contact Varitron® or your sales personal. 如需附剎車款式，相關尺寸及重量請洽中國變速。

※ Dimensions in above drawings are subject to change without notice. 尺寸若有變動，將不另行通知。



# VM Single Stage Flange Mount Gearmotor 單段法蘭附馬達型

## Dimensions 外型尺寸表

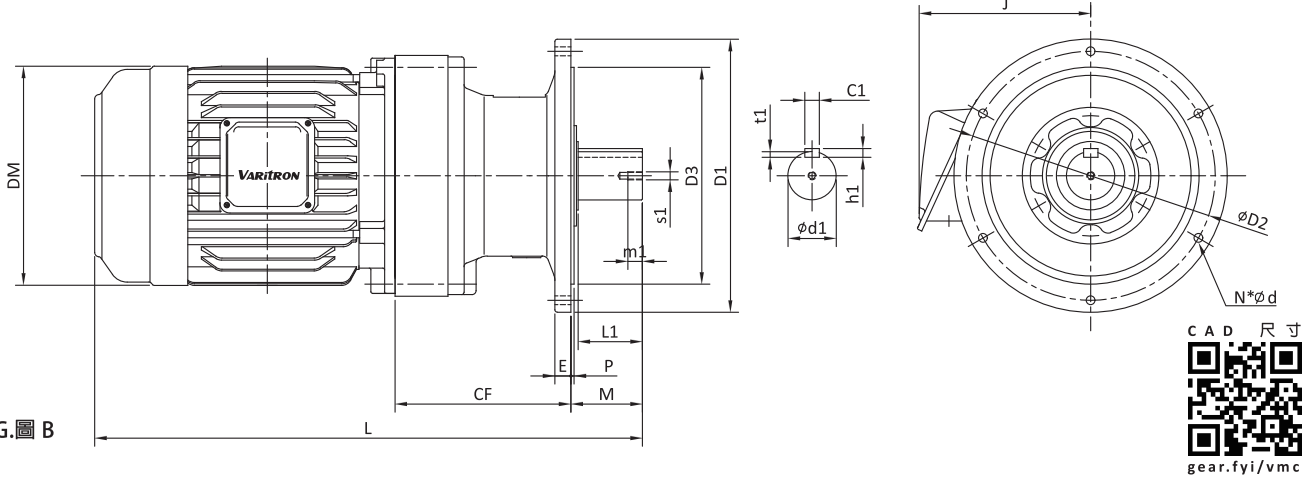


FIG. 圖 B

| Frame Size<br>型號 | Motor<br>馬達 |      | Fig.<br>圖 | L    | CF  | M   | E   | P   | J    | DM  | W<br>(kg) | Flange<br>法蘭面 |     |     |     |     | Output Shaft<br>出力軸 |     |    |     |     |     |    |
|------------------|-------------|------|-----------|------|-----|-----|-----|-----|------|-----|-----------|---------------|-----|-----|-----|-----|---------------------|-----|----|-----|-----|-----|----|
|                  | Hp<br>(kW)  | P    |           |      |     |     |     |     |      |     |           | D1            | D2  | D3  | N   | d   | d1                  | L1  | C1 | h1  | t1  | s1  | m1 |
| VM30-8175        | 30<br>(22)  | 4    | B         | 917  | 258 | 94  | 22  | 5   | 305  | 382 | 320       | 400           | 360 | 316 | 8   | 14  | 70                  | 84  | 20 | 12  | 7.5 | M12 | 24 |
| VM30-8185        |             |      | B         | 959  | 279 | 110 | 22  | 5   | 305  | 382 | 336       | 430           | 390 | 345 | 8   | 18  | 80                  | 100 | 22 | 14  | 9   | M12 | 24 |
| VM30-8195        |             |      | B         | 1035 | 320 | 145 | 30  | 6   | 305  | 382 | 414       | 490           | 450 | 400 | 12  | 18  | 95                  | 125 | 25 | 14  | 9   | M20 | 34 |
| VM30-8205        |             |      | B         | 1077 | 298 | 204 | 30  | 5   | 305  | 382 | 435       | 455           | 405 | 355 | 8   | 22  | 100                 | 165 | 28 | 16  | 10  | M20 | 34 |
| VM30-8215        |             |      | B         | 1111 | 323 | 203 | 35  | 7   | 305  | 382 | 500       | 490           | 440 | 390 | 8   | 24  | 110                 | 165 | 28 | 16  | 10  | M20 | 34 |
| VM30-8225        |             |      | B         | 1151 | 356 | 210 | 35  | 10  | 305  | 382 | 613       | 535           | 475 | 415 | 8   | 27  | 120                 | 165 | 32 | 18  | 11  | M20 | 34 |
| VM306-8205       | 30<br>(22)  | 6    | B         | 1115 | 298 | 204 | 30  | 5   | 305  | 382 | 467       | 455           | 405 | 355 | 8   | 22  | 100                 | 165 | 28 | 16  | 10  | M20 | 34 |
| VM306-8215       |             |      | B         | 1149 | 323 | 203 | 35  | 7   | 305  | 382 | 534       | 490           | 440 | 390 | 8   | 24  | 110                 | 165 | 28 | 16  | 10  | M20 | 34 |
| VM306-8225       |             |      | B         | 1189 | 356 | 210 | 35  | 10  | 305  | 382 | 648       | 535           | 475 | 415 | 8   | 27  | 120                 | 165 | 32 | 18  | 11  | M20 | 34 |
| VM306-8235       |             |      | B         | 1251 | 378 | 250 | 40  | 10  | 305  | 382 | 702       | 570           | 510 | 450 | 8   | 27  | 130                 | 200 | 32 | 18  | 11  | M24 | 41 |
| VM306-8245       |             |      | B         | 1295 | 407 | 250 | 40  | 10  | 305  | 382 | 805       | 635           | 560 | 485 | 8   | 33  | 140                 | 200 | 36 | 20  | 12  | M24 | 41 |
| VM306-8255       |             |      | B         | 1413 | 480 | 295 | 45  | 10  | 305  | 382 | 1090      | 685           | 610 | 535 | 8   | 33  | 160                 | 240 | 40 | 22  | 13  | M30 | 49 |
| VM306-8265       | B           | 1510 | 532       | 360  | 50  | 10  | 305 | 382 | 1380 | 750 | 660       | 570           | 8   | 39  | 170 | 300 | 40                  | 22  | 13 | M30 | 49  |     |    |
| VM40-8175        | 40<br>(30)  | 4    | B         | 955  | 258 | 94  | 22  | 5   | 305  | 382 | 348       | 400           | 360 | 316 | 8   | 14  | 70                  | 84  | 20 | 12  | 7.5 | M12 | 24 |
| VM40-8185        |             |      | B         | 997  | 279 | 110 | 22  | 5   | 305  | 382 | 366       | 430           | 390 | 345 | 8   | 18  | 80                  | 100 | 22 | 14  | 9   | M12 | 24 |
| VM40-8195        |             |      | B         | 1073 | 320 | 145 | 30  | 6   | 305  | 382 | 442       | 490           | 450 | 400 | 12  | 18  | 95                  | 125 | 25 | 14  | 9   | M20 | 34 |
| VM40-8205        |             |      | B         | 1115 | 298 | 204 | 30  | 5   | 305  | 382 | 467       | 455           | 405 | 355 | 8   | 22  | 100                 | 165 | 28 | 16  | 10  | M20 | 34 |
| VM40-8215        |             |      | B         | 1149 | 323 | 203 | 35  | 7   | 305  | 382 | 534       | 490           | 440 | 390 | 8   | 24  | 110                 | 165 | 28 | 16  | 10  | M20 | 34 |
| VM40-8225        |             |      | B         | 1189 | 356 | 210 | 35  | 10  | 305  | 382 | 648       | 535           | 475 | 415 | 8   | 27  | 120                 | 165 | 32 | 18  | 11  | M20 | 34 |
| VM406-8195       | 40<br>(30)  | 6    | B         | 1140 | 320 | 145 | 30  | 6   | 362  | 458 | 542       | 490           | 450 | 400 | 12  | 18  | 95                  | 125 | 25 | 14  | 9   | M20 | 34 |
| VM406-8205       |             |      | B         | 1187 | 298 | 204 | 30  | 5   | 362  | 458 | 567       | 455           | 405 | 355 | 8   | 22  | 100                 | 165 | 28 | 16  | 10  | M20 | 34 |
| VM406-8215       |             |      | B         | 1211 | 323 | 203 | 35  | 7   | 362  | 458 | 653       | 490           | 440 | 390 | 8   | 24  | 110                 | 165 | 28 | 16  | 10  | M20 | 34 |
| VM406-8225       |             |      | B         | 1251 | 356 | 210 | 35  | 10  | 362  | 458 | 764       | 535           | 475 | 415 | 8   | 27  | 120                 | 165 | 32 | 18  | 11  | M20 | 34 |
| VM406-8235       |             |      | B         | 1323 | 378 | 250 | 40  | 10  | 362  | 458 | 805       | 570           | 510 | 450 | 8   | 27  | 130                 | 200 | 32 | 18  | 11  | M24 | 41 |
| VM406-8245       |             |      | B         | 1357 | 407 | 250 | 40  | 10  | 362  | 458 | 915       | 635           | 560 | 485 | 8   | 33  | 140                 | 200 | 36 | 20  | 12  | M24 | 41 |
| VM406-8255       | B           | 1475 | 480       | 295  | 45  | 10  | 362 | 458 | 1190 | 685 | 610       | 535           | 8   | 33  | 160 | 240 | 40                  | 22  | 13 | M30 | 49  |     |    |
| VM406-8265       | B           | 1597 | 532       | 360  | 50  | 10  | 362 | 458 | 1500 | 750 | 660       | 570           | 8   | 39  | 170 | 300 | 40                  | 22  | 13 | M30 | 49  |     |    |
| VM50-8195        | 50<br>(37)  | 4    | B         | 1140 | 320 | 145 | 30  | 6   | 362  | 458 | 542       | 490           | 450 | 400 | 12  | 18  | 95                  | 125 | 25 | 14  | 9   | M20 | 34 |
| VM50-8205        |             |      | B         | 1187 | 298 | 204 | 30  | 5   | 362  | 458 | 567       | 455           | 405 | 355 | 8   | 22  | 100                 | 165 | 28 | 16  | 10  | M20 | 34 |
| VM50-8215        |             |      | B         | 1211 | 323 | 203 | 35  | 7   | 362  | 458 | 647       | 490           | 440 | 390 | 8   | 24  | 110                 | 165 | 28 | 16  | 10  | M20 | 34 |
| VM50-8225        |             |      | B         | 1251 | 356 | 210 | 35  | 10  | 362  | 458 | 764       | 535           | 475 | 415 | 8   | 27  | 120                 | 165 | 32 | 18  | 11  | M20 | 34 |

※ For brake model's dimension and weight, contact Varitron® or your sales personal. 如需附剎車款式，相關尺寸及重量請洽中國變速。

※ Dimensions in above drawings are subject to change without notice. 尺寸若有變動，將不另行通知。

# VM Single Stage Flange Mount Gearmotor 單段法蘭附馬達型

## Dimensions 外型尺寸表

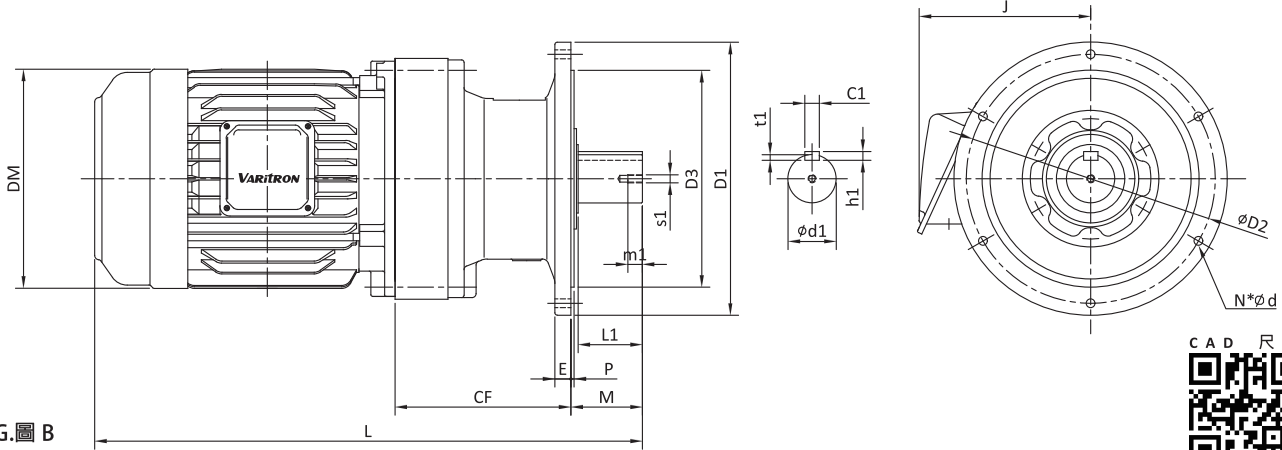


FIG. 圖 B

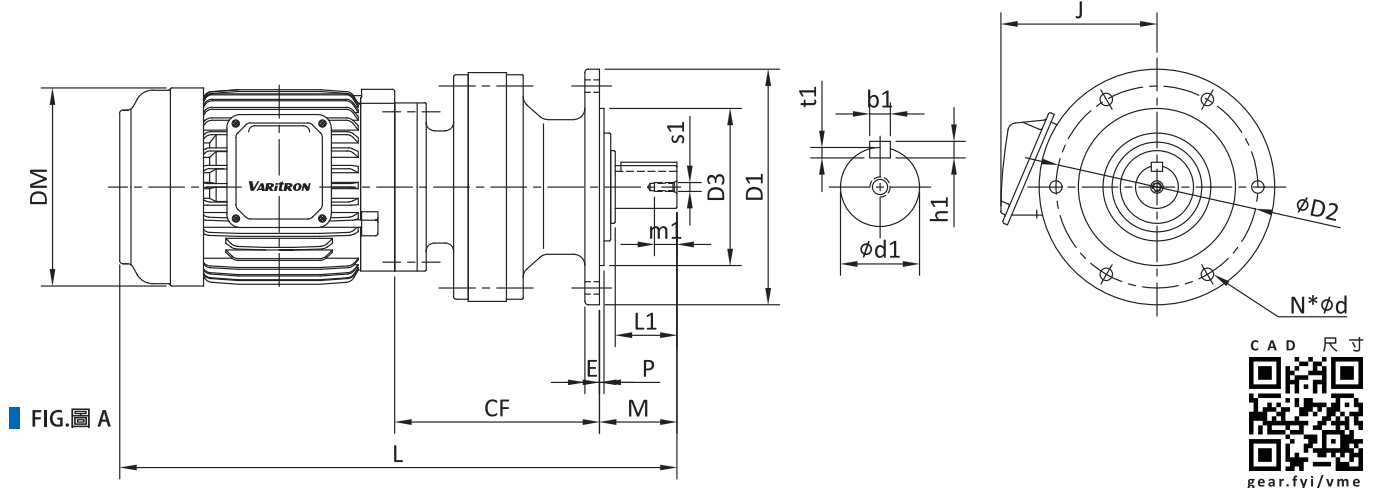
| Frame Size<br>型號 | Motor<br>馬達 |      | Fig.<br>圖 | L    | CF  | M   | E   | P   | J    | DM   | W<br>(kg) | Flange<br>法蘭面 |      |     |     |     | Output Shaft<br>出力軸 |     |    |     |    |     |    |
|------------------|-------------|------|-----------|------|-----|-----|-----|-----|------|------|-----------|---------------|------|-----|-----|-----|---------------------|-----|----|-----|----|-----|----|
|                  | Hp<br>(kW)  | P    |           |      |     |     |     |     |      |      |           | D1            | D2   | D3  | N   | d   | d1                  | L1  | C1 | h1  | t1 | s1  | m1 |
| VM506-8195       | 50<br>(37)  | 6    | B         | 1140 | 320 | 145 | 30  | 6   | 362  | 458  | 542       | 490           | 450  | 400 | 12  | 18  | 95                  | 125 | 25 | 14  | 9  | M20 | 34 |
| VM506-8205       |             |      | B         | 1187 | 298 | 204 | 30  | 5   | 362  | 458  | 567       | 455           | 405  | 355 | 8   | 22  | 100                 | 165 | 28 | 16  | 10 | M20 | 34 |
| VM506-8215       |             |      | B         | 1211 | 323 | 203 | 35  | 7   | 362  | 458  | 653       | 490           | 440  | 390 | 8   | 24  | 110                 | 165 | 28 | 16  | 10 | M20 | 34 |
| VM506-8225       |             |      | B         | 1251 | 356 | 210 | 35  | 10  | 362  | 458  | 764       | 535           | 475  | 415 | 8   | 27  | 120                 | 165 | 32 | 18  | 11 | M20 | 34 |
| VM506-8235       |             |      | B         | 1323 | 378 | 250 | 40  | 10  | 362  | 458  | 810       | 570           | 510  | 450 | 8   | 27  | 130                 | 200 | 32 | 18  | 11 | M24 | 41 |
| VM506-8245       |             |      | B         | 1357 | 407 | 250 | 40  | 10  | 362  | 458  | 915       | 635           | 560  | 485 | 8   | 33  | 140                 | 200 | 36 | 20  | 12 | M24 | 41 |
| VM506-8255       |             |      | B         | 1475 | 480 | 295 | 45  | 10  | 362  | 458  | 1190      | 685           | 610  | 535 | 8   | 33  | 160                 | 240 | 40 | 22  | 13 | M30 | 49 |
| VM506-8265       |             |      | B         | 1597 | 532 | 360 | 50  | 10  | 362  | 458  | 1490      | 750           | 660  | 570 | 8   | 39  | 170                 | 300 | 40 | 22  | 13 | M30 | 49 |
| VM60-8205        | 60<br>(45)  | 4    | B         | 1187 | 298 | 204 | 30  | 5   | 362  | 458  | 567       | 455           | 405  | 355 | 8   | 22  | 100                 | 165 | 28 | 16  | 10 | M20 | 34 |
| VM60-8215        |             |      | B         | 1211 | 323 | 203 | 35  | 7   | 362  | 458  | 653       | 490           | 440  | 390 | 8   | 24  | 110                 | 165 | 28 | 16  | 10 | M20 | 34 |
| VM60-8225        |             |      | B         | 1251 | 356 | 210 | 35  | 10  | 362  | 458  | 764       | 535           | 475  | 415 | 8   | 27  | 120                 | 165 | 32 | 18  | 11 | M20 | 34 |
| VM606-8205       | 60<br>(45)  | 6    | B         | 1197 | 298 | 204 | 30  | 5   | 411  | 510  | 640       | 455           | 405  | 355 | 8   | 22  | 100                 | 165 | 28 | 16  | 10 | M20 | 34 |
| VM606-8215       |             |      | B         | 1221 | 323 | 203 | 35  | 7   | 411  | 510  | 700       | 490           | 440  | 390 | 8   | 24  | 110                 | 165 | 28 | 16  | 10 | M20 | 34 |
| VM606-8225       |             |      | B         | 1261 | 356 | 210 | 35  | 10  | 411  | 510  | 813       | 535           | 475  | 415 | 8   | 27  | 120                 | 165 | 32 | 18  | 11 | M20 | 34 |
| VM606-8235       |             |      | B         | 1333 | 378 | 250 | 40  | 10  | 411  | 510  | 875       | 570           | 510  | 450 | 8   | 27  | 130                 | 200 | 32 | 18  | 11 | M24 | 41 |
| VM606-8245       |             |      | B         | 1367 | 407 | 250 | 40  | 10  | 411  | 510  | 1055      | 635           | 560  | 485 | 8   | 33  | 140                 | 200 | 36 | 20  | 12 | M24 | 41 |
| VM606-8255       |             |      | B         | 1485 | 480 | 295 | 45  | 10  | 411  | 510  | 1275      | 685           | 610  | 535 | 8   | 33  | 160                 | 240 | 40 | 22  | 13 | M30 | 49 |
| VM606-8265       | B           | 1607 | 532       | 360  | 50  | 10  | 411 | 510 | 1570 | 750  | 660       | 570           | 8    | 39  | 170 | 300 | 40                  | 22  | 13 | M30 | 49 |     |    |
| VM75-8215        | 75<br>(55)  | 4    | B         | 1221 | 323 | 203 | 35  | 7   | 411  | 510  | 700       | 490           | 440  | 390 | 8   | 24  | 110                 | 165 | 28 | 16  | 10 | M20 | 34 |
| VM75-8225        |             |      | B         | 1261 | 356 | 210 | 35  | 10  | 411  | 510  | 813       | 535           | 475  | 415 | 8   | 27  | 120                 | 165 | 32 | 18  | 11 | M20 | 34 |
| VM756-8215       | 75<br>(55)  | 6    | B         | 1288 | 323 | 203 | 35  | 7   | 499  | 545  | 813       | 490           | 440  | 390 | 8   | 24  | 110                 | 165 | 28 | 16  | 10 | M20 | 34 |
| VM756-8225       |             |      | B         | 1328 | 356 | 210 | 35  | 10  | 499  | 545  | 930       | 535           | 475  | 415 | 8   | 27  | 120                 | 165 | 32 | 18  | 11 | M20 | 34 |
| VM756-8235       |             |      | B         | 1400 | 378 | 250 | 40  | 10  | 499  | 545  | 980       | 570           | 510  | 450 | 8   | 27  | 130                 | 200 | 32 | 18  | 11 | M24 | 41 |
| VM756-8245       |             |      | B         | 1435 | 407 | 250 | 40  | 10  | 499  | 545  | 1155      | 635           | 560  | 485 | 8   | 33  | 140                 | 200 | 36 | 20  | 12 | M24 | 41 |
| VM756-8255       |             |      | B         | 1553 | 480 | 295 | 45  | 10  | 499  | 545  | 1380      | 685           | 610  | 535 | 8   | 33  | 160                 | 240 | 40 | 22  | 13 | M30 | 49 |
| VM756-8265       |             |      | B         | 1675 | 532 | 360 | 50  | 10  | 499  | 545  | 1670      | 750           | 660  | 570 | 8   | 39  | 170                 | 300 | 40 | 22  | 13 | M30 | 49 |
| VM756-8275       | B           | -    | 994       | 355  | 60  | 10  | 499 | 545 | 2900 | 1160 | 1020      | 900           | 8    | 39  | 180 | 320 | 45                  | 25  | 15 | M30 | 52 |     |    |
| VM100-8225       | 100<br>(75) | 4    | B         | 1328 | 356 | 210 | 35  | 10  | 499  | 545  | 930       | 535           | 475  | 415 | 8   | 27  | 120                 | 165 | 32 | 18  | 11 | M20 | 34 |
| VM1006-8235      | 100<br>(75) | 6    | B         | -    | 378 | 250 | 40  | 10  | 499  | 545  | 1050      | 570           | 510  | 450 | 8   | 27  | 130                 | 200 | 32 | 18  | 11 | M24 | 41 |
| VM1006-8245      |             |      | B         | -    | 407 | 250 | 40  | 10  | 499  | 545  | 1235      | 635           | 560  | 485 | 8   | 33  | 140                 | 200 | 36 | 20  | 12 | M24 | 41 |
| VM1006-8255      |             |      | B         | -    | 480 | 295 | 45  | 10  | 499  | 545  | 1470      | 685           | 610  | 535 | 8   | 33  | 160                 | 240 | 40 | 22  | 13 | M30 | 49 |
| VM1006-8265      |             |      | B         | -    | 532 | 360 | 50  | 10  | 499  | 545  | 1760      | 750           | 660  | 570 | 8   | 39  | 170                 | 300 | 40 | 22  | 13 | M30 | 49 |
| VM1006-8275      |             |      | B         | -    | 994 | 355 | 60  | 10  | 499  | 545  | 2960      | 1160          | 1020 | 900 | 8   | 39  | 180                 | 320 | 45 | 25  | 15 | M30 | 52 |
| VM1256-8245      | 125<br>(90) | 6    | B         | -    | 407 | 250 | 40  | 10  | 610  | 610  | 1355      | 635           | 560  | 485 | 8   | 33  | 140                 | 200 | 36 | 20  | 12 | M24 | 41 |
| VM1256-8255      |             |      | B         | -    | 480 | 295 | 45  | 10  | 610  | 610  | 1600      | 685           | 610  | 535 | 8   | 33  | 160                 | 240 | 40 | 22  | 13 | M30 | 49 |
| VM1256-8265      |             |      | B         | -    | 532 | 360 | 50  | 10  | 610  | 610  | 1880      | 750           | 660  | 570 | 8   | 39  | 170                 | 300 | 40 | 22  | 13 | M30 | 49 |
| VM1256-8275      |             |      | B         | -    | 994 | 355 | 60  | 10  | 610  | 610  | 3100      | 1160          | 1020 | 900 | 8   | 39  | 180                 | 320 | 45 | 25  | 15 | M30 | 52 |

※ For brake model s dimension and weight, contact Varitron or your sales personal. 如需附剎車款式，相關尺寸及重量請洽中國變速。

※ Dimensions in above drawings are subject to change without notice. 尺寸若有變動，將不另行通知。

# VM Double Stage Flange Mount Gearmotor 雙段法蘭附馬達型

## Dimensions 外型尺寸表



| Frame Size<br>型號 | Motor<br>馬達   |     | Fig.<br>圖   | L    | CF  | M   | E   | P  | J   | DM  | W<br>(kg) | Flange<br>法蘭面 |     |     |     |     | Output Shaft<br>出力軸 |     |    |    |     |     |    |
|------------------|---------------|-----|-------------|------|-----|-----|-----|----|-----|-----|-----------|---------------|-----|-----|-----|-----|---------------------|-----|----|----|-----|-----|----|
|                  | Hp<br>(kW)    | P   |             |      |     |     |     |    |     |     |           | D1            | D2  | D3  | N   | d   | d1                  | L1  | b1 | h1 | t1  | s1  | m1 |
| VM05-8100DA      | 1/2<br>(0.37) | 4   | A           | 455  | 156 | 48  | 9   | 3  | 133 | 162 | 23        | 160           | 134 | 110 | 4   | 11  | 28                  | 35  | 8  | 7  | 4   | M8  | 20 |
| VM05-8125DA      |               |     | A           | 491  | 171 | 69  | 13  | 4  | 133 | 162 | 36        | 210           | 180 | 140 | 6   | 11  | 38                  | 55  | 10 | 8  | 5   | M8  | 20 |
| VM05-8125DB      |               |     | A           | 522  | 197 | 69  | 13  | 4  | 133 | 162 | 39        | 210           | 180 | 140 | 6   | 11  | 38                  | 55  | 10 | 8  | 5   | M8  | 20 |
| VM05-8135DA      |               |     | A           | 545  | 218 | 76  | 15  | 4  | 133 | 162 | 50        | 260           | 230 | 200 | 6   | 11  | 50                  | 61  | 14 | 9  | 5.5 | M10 | 18 |
| VM05-8135DB      |               |     | A           | 573  | 241 | 76  | 15  | 4  | 133 | 162 | 51        | 260           | 230 | 200 | 6   | 11  | 50                  | 61  | 14 | 9  | 5.5 | M10 | 18 |
| VM05-8145DA      |               |     | A           | 565  | 218 | 96  | 15  | 4  | 133 | 162 | 51        | 260           | 230 | 200 | 6   | 11  | 50                  | 81  | 14 | 9  | 5.5 | M10 | 18 |
| VM05-8145DB      |               |     | A           | 593  | 241 | 96  | 15  | 4  | 133 | 162 | 52        | 260           | 230 | 200 | 6   | 11  | 50                  | 81  | 14 | 9  | 5.5 | M10 | 18 |
| VM05-8165DA      |               |     | B           | 644  | 299 | 89  | 20  | 4  | 133 | 162 | 96        | 340           | 310 | 270 | 6   | 11  | 60                  | 80  | 18 | 11 | 7   | M10 | 18 |
| VM05-8165DB      |               |     | B           | 644  | 299 | 89  | 20  | 4  | 133 | 162 | 97        | 340           | 310 | 270 | 6   | 11  | 60                  | 80  | 18 | 11 | 7   | M10 | 18 |
| VM05-8175DA      |               |     | B           | 688  | 338 | 94  | 22  | 5  | 133 | 162 | 131       | 400           | 360 | 316 | 8   | 14  | 70                  | 84  | 20 | 12 | 7.5 | M12 | 24 |
| VM05-8185DA      |               |     | B           | 730  | 364 | 110 | 22  | 5  | 133 | 162 | 163       | 430           | 390 | 345 | 8   | 18  | 80                  | 100 | 22 | 14 | 9   | M12 | 24 |
| VM1-8125DB       |               |     | 1<br>(0.75) | 4    | A   | 541 | 197 | 69 | 13  | 4   | 144       | 177           | 42  | 210 | 180 | 140 | 6                   | 11  | 38 | 55 | 10  | 8   | 5  |
| VM1-8135DB       | A             | 592 |             |      | 241 | 76  | 15  | 4  | 144 | 177 | 60        | 260           | 230 | 200 | 6   | 11  | 50                  | 61  | 14 | 9  | 5.5 | M10 | 18 |
| VM1-8135DC       | A             | 592 |             |      | 241 | 76  | 15  | 4  | 144 | 177 | 63        | 260           | 230 | 200 | 6   | 11  | 50                  | 61  | 14 | 9  | 5.5 | M10 | 18 |
| VM1-8145DB       | A             | 612 |             |      | 241 | 96  | 15  | 4  | 144 | 177 | 61        | 260           | 230 | 200 | 6   | 11  | 50                  | 81  | 14 | 9  | 5.5 | M10 | 18 |
| VM1-8145DC       | A             | 612 |             |      | 241 | 96  | 15  | 4  | 144 | 177 | 62        | 260           | 230 | 200 | 6   | 11  | 50                  | 81  | 14 | 9  | 5.5 | M10 | 18 |
| VM1-8165DA       | B             | 663 |             |      | 299 | 89  | 20  | 4  | 144 | 177 | 103       | 340           | 310 | 270 | 6   | 11  | 60                  | 80  | 18 | 11 | 7   | M10 | 18 |
| VM1-8165DB       | B             | 663 |             |      | 299 | 89  | 20  | 4  | 144 | 177 | 105       | 340           | 310 | 270 | 6   | 11  | 60                  | 80  | 18 | 11 | 7   | M10 | 18 |
| VM1-8175DA       | B             | 707 |             |      | 338 | 94  | 22  | 5  | 144 | 177 | 135       | 400           | 360 | 316 | 8   | 14  | 70                  | 84  | 20 | 12 | 7.5 | M12 | 24 |
| VM1-8175DB       | B             | 707 |             |      | 338 | 94  | 22  | 5  | 144 | 177 | 138       | 400           | 360 | 316 | 8   | 14  | 70                  | 84  | 20 | 12 | 7.5 | M12 | 24 |
| VM1-8185DA       | B             | 749 |             |      | 364 | 110 | 22  | 5  | 144 | 177 | 173       | 430           | 390 | 345 | 8   | 18  | 80                  | 100 | 22 | 14 | 9   | M12 | 24 |
| VM1-8195DA       | B             | 831 |             |      | 411 | 145 | 30  | 6  | 144 | 177 | 253       | 490           | 450 | 400 | 12  | 18  | 95                  | 125 | 25 | 14 | 9   | M20 | 34 |
| VM1-8205DA       | B             | 872 |             |      | 393 | 204 | 30  | 5  | 144 | 177 | 268       | 455           | 405 | 355 | 8   | 22  | 100                 | 165 | 28 | 16 | 10  | M20 | 34 |
| VM2-8135DC       | 2<br>(1.5)    | 4   | A           | 629  | 241 | 76  | 15  | 4  | 157 | 200 | 73        | 260           | 230 | 200 | 6   | 11  | 50                  | 61  | 14 | 9  | 5.5 | M10 | 18 |
| VM2-8145DC       |               |     | A           | 649  | 241 | 96  | 15  | 4  | 157 | 200 | 74        | 260           | 230 | 200 | 6   | 11  | 50                  | 81  | 14 | 9  | 5.5 | M10 | 18 |
| VM2-8165DB       |               |     | B           | 700  | 299 | 89  | 20  | 4  | 157 | 200 | 113       | 340           | 310 | 270 | 6   | 11  | 60                  | 80  | 18 | 11 | 7   | M10 | 18 |
| VM2-8165DC       |               |     | B           | 701  | 300 | 89  | 20  | 4  | 157 | 200 | 121       | 340           | 310 | 270 | 6   | 11  | 60                  | 80  | 18 | 11 | 7   | M10 | 18 |
| VM2-8175DB       |               |     | B           | 744  | 338 | 94  | 22  | 5  | 157 | 200 | 149       | 400           | 360 | 316 | 8   | 14  | 70                  | 84  | 20 | 12 | 7.5 | M12 | 24 |
| VM2-8175DC       |               |     | B           | 748  | 342 | 94  | 22  | 5  | 157 | 200 | 155       | 400           | 360 | 316 | 8   | 14  | 70                  | 84  | 20 | 12 | 7.5 | M12 | 24 |
| VM2-8185DA       |               |     | B           | 786  | 364 | 110 | 22  | 5  | 157 | 200 | 180       | 430           | 390 | 345 | 8   | 18  | 80                  | 100 | 22 | 14 | 9   | M12 | 24 |
| VM2-8185DB       |               |     | B           | 813  | 386 | 110 | 22  | 5  | 157 | 200 | 225       | 430           | 390 | 345 | 8   | 18  | 80                  | 100 | 22 | 14 | 9   | M12 | 24 |
| VM2-8195DA       |               |     | B           | 868  | 411 | 145 | 30  | 6  | 157 | 200 | 273       | 490           | 450 | 400 | 12  | 18  | 95                  | 125 | 25 | 14 | 9   | M20 | 34 |
| VM2-8205DA       |               |     | B           | 909  | 393 | 204 | 30  | 5  | 157 | 200 | 287       | 455           | 405 | 355 | 8   | 22  | 100                 | 165 | 28 | 16 | 10  | M20 | 34 |
| VM2-8215DA       |               |     | B           | 997  | 447 | 203 | 35  | 7  | 157 | 200 | 360       | 490           | 440 | 390 | 8   | 24  | 110                 | 165 | 28 | 16 | 10  | M20 | 34 |
| VM2-8225DA       |               |     | B           | 1009 | 482 | 210 | 35  | 10 | 157 | 200 | 450       | 535           | 475 | 415 | 8   | 27  | 120                 | 165 | 32 | 18 | 11  | M20 | 34 |

※ For brake model's dimension and weight, contact Varitron® or your sales personal. 如需附剎車款式，相關尺寸及重量請洽中國變速。  
 ※ Dimensions in above drawings are subject to change without notice. 尺寸若有變動，將不另行通知。

# VM Double Stage Flange Mount Gearmotor 雙段法蘭附馬達型

## Dimensions 外型尺寸表

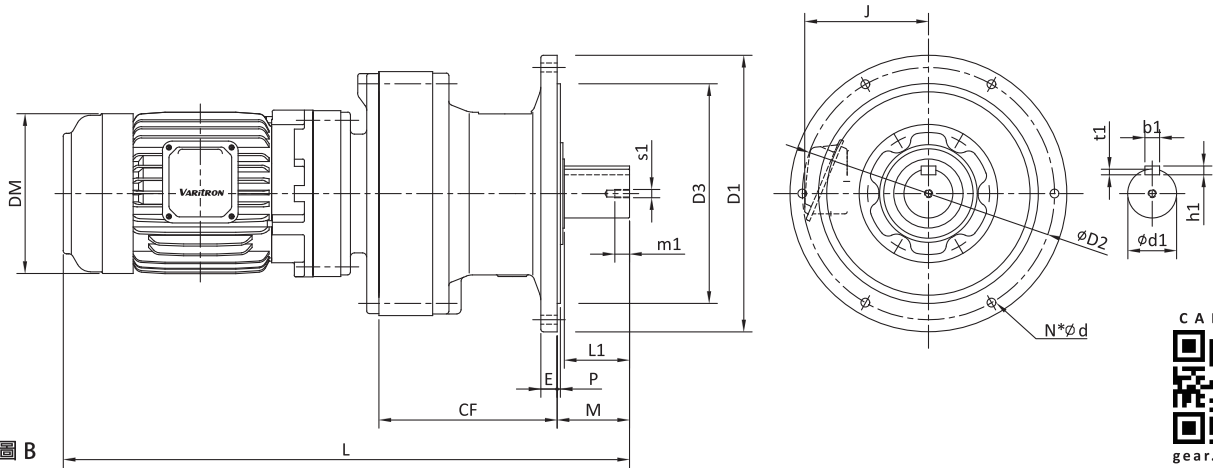


FIG. 圖 B

| Frame Size<br>型號 | Motor<br>馬達 |      | Fig.<br>圖 | L    | CF  | M   | E   | P   | J   | DM  | W<br>(kg) | Flange<br>法蘭面 |     |     |     |     | Output Shaft<br>出力軸 |     |    |     |     |     |    |
|------------------|-------------|------|-----------|------|-----|-----|-----|-----|-----|-----|-----------|---------------|-----|-----|-----|-----|---------------------|-----|----|-----|-----|-----|----|
|                  | Hp<br>(kW)  | P    |           |      |     |     |     |     |     |     |           | D1            | D2  | D3  | N   | d   | d1                  | L1  | b1 | h1  | t1  | s1  | m1 |
| VM3-8135DC       | 3<br>(2.2)  | 4    | A         | 657  | 241 | 76  | 15  | 4   | 180 | 219 | 81        | 260           | 230 | 200 | 6   | 11  | 50                  | 61  | 14 | 9   | 5.5 | M10 | 18 |
| VM3-8145DC       |             |      | A         | 677  | 241 | 96  | 15  | 4   | 180 | 219 | 82        | 260           | 230 | 200 | 6   | 11  | 50                  | 81  | 14 | 9   | 5.5 | M10 | 18 |
| VM3-8165DB       |             |      | B         | 728  | 299 | 89  | 20  | 4   | 180 | 219 | 120       | 340           | 310 | 270 | 6   | 11  | 60                  | 80  | 18 | 11  | 7   | M10 | 18 |
| VM3-8165DC       |             |      | B         | 729  | 300 | 89  | 20  | 4   | 180 | 219 | 128       | 340           | 310 | 270 | 6   | 11  | 60                  | 80  | 18 | 11  | 7   | M10 | 18 |
| VM3-8175DB       |             |      | B         | 772  | 338 | 94  | 22  | 5   | 180 | 219 | 156       | 400           | 360 | 316 | 8   | 14  | 70                  | 84  | 20 | 12  | 7.5 | M12 | 24 |
| VM3-8175DC       |             |      | B         | 776  | 342 | 94  | 22  | 5   | 180 | 219 | 163       | 400           | 360 | 316 | 8   | 14  | 70                  | 84  | 20 | 12  | 7.5 | M12 | 24 |
| VM3-8185DA       |             |      | B         | 814  | 364 | 110 | 22  | 5   | 180 | 219 | 186       | 430           | 390 | 345 | 8   | 18  | 80                  | 100 | 22 | 14  | 9   | M12 | 24 |
| VM3-8185DB       |             |      | B         | 841  | 386 | 110 | 22  | 5   | 180 | 219 | 204       | 430           | 390 | 345 | 8   | 18  | 80                  | 100 | 22 | 14  | 9   | M12 | 24 |
| VM3-8195DA       |             |      | B         | 896  | 411 | 145 | 30  | 6   | 180 | 219 | 266       | 490           | 450 | 400 | 12  | 18  | 95                  | 125 | 25 | 14  | 9   | M20 | 34 |
| VM3-8195DB       |             |      | B         | 917  | 427 | 145 | 30  | 6   | 180 | 219 | 273       | 490           | 450 | 400 | 12  | 18  | 95                  | 125 | 25 | 14  | 9   | M20 | 34 |
| VM3-8205DA       |             |      | B         | 937  | 393 | 204 | 30  | 5   | 180 | 219 | 282       | 455           | 405 | 355 | 8   | 22  | 100                 | 165 | 28 | 16  | 10  | M20 | 34 |
| VM3-8205DB       |             |      | B         | 969  | 420 | 204 | 30  | 5   | 180 | 219 | 294       | 455           | 405 | 355 | 8   | 22  | 100                 | 165 | 28 | 16  | 10  | M20 | 34 |
| VM3-8215DA       |             |      | B         | 995  | 447 | 203 | 35  | 7   | 180 | 219 | 355       | 490           | 440 | 390 | 8   | 24  | 110                 | 165 | 28 | 16  | 10  | M20 | 34 |
| VM3-8225DA       |             |      | B         | 1037 | 482 | 210 | 35  | 10  | 180 | 219 | 445       | 535           | 475 | 415 | 8   | 27  | 120                 | 165 | 32 | 18  | 11  | M20 | 34 |
| VM3-8235DA       |             |      | B         | 1124 | 529 | 250 | 40  | 10  | 180 | 219 | 545       | 570           | 510 | 450 | 8   | 27  | 130                 | 200 | 32 | 18  | 11  | M24 | 41 |
| VM3-8245DA       |             |      | B         | 1161 | 566 | 250 | 40  | 10  | 180 | 219 | 640       | 635           | 560 | 485 | 8   | 33  | 140                 | 200 | 36 | 20  | 12  | M24 | 41 |
| VM5-8165DC       | 5<br>(3.7)  | 4    | B         | 745  | 300 | 89  | 20  | 4   | 189 | 238 | 138       | 340           | 310 | 270 | 6   | 11  | 60                  | 80  | 18 | 11  | 7   | M10 | 18 |
| VM5-8175DC       |             |      | B         | 792  | 342 | 94  | 22  | 5   | 189 | 238 | 173       | 400           | 360 | 316 | 8   | 14  | 70                  | 84  | 20 | 12  | 7.5 | M12 | 24 |
| VM5-8185DB       |             |      | B         | 857  | 386 | 110 | 22  | 5   | 189 | 238 | 214       | 430           | 390 | 345 | 8   | 18  | 80                  | 100 | 22 | 14  | 9   | M12 | 24 |
| VM5-8195DA       |             |      | B         | 912  | 411 | 145 | 30  | 6   | 189 | 238 | 276       | 490           | 450 | 400 | 12  | 18  | 95                  | 125 | 25 | 14  | 9   | M20 | 34 |
| VM5-8195DB       |             |      | B         | 933  | 427 | 145 | 30  | 6   | 189 | 238 | 283       | 490           | 450 | 400 | 12  | 18  | 95                  | 125 | 25 | 14  | 9   | M20 | 34 |
| VM5-8205DB       |             |      | B         | 985  | 420 | 204 | 30  | 5   | 189 | 238 | 300       | 455           | 405 | 355 | 8   | 22  | 100                 | 165 | 28 | 16  | 10  | M20 | 34 |
| VM5-8215DA       |             |      | B         | 1011 | 447 | 203 | 35  | 7   | 189 | 238 | 365       | 490           | 440 | 390 | 8   | 24  | 110                 | 165 | 28 | 16  | 10  | M20 | 34 |
| VM5-8215DB       |             |      | B         | 1036 | 472 | 203 | 35  | 7   | 189 | 238 | 400       | 490           | 440 | 390 | 8   | 24  | 110                 | 165 | 28 | 16  | 10  | M20 | 34 |
| VM5-8225DA       |             |      | B         | 1053 | 482 | 210 | 35  | 10  | 189 | 238 | 455       | 535           | 475 | 415 | 8   | 27  | 120                 | 165 | 32 | 18  | 11  | M20 | 34 |
| VM5-8225DB       |             |      | B         | 1101 | 525 | 210 | 35  | 10  | 189 | 238 | 500       | 535           | 475 | 415 | 8   | 27  | 120                 | 165 | 32 | 18  | 11  | M20 | 34 |
| VM5-8235DA       |             |      | B         | 1140 | 529 | 250 | 40  | 10  | 189 | 238 | 557       | 570           | 510 | 450 | 8   | 27  | 130                 | 200 | 32 | 18  | 11  | M24 | 41 |
| VM5-8245DA       |             |      | B         | 1177 | 566 | 250 | 40  | 10  | 189 | 238 | 650       | 635           | 560 | 485 | 8   | 33  | 140                 | 200 | 36 | 20  | 12  | M24 | 41 |
| VM5-8255DA       | B           | 1322 | 661       | 295  | 45  | 10  | 189 | 238 | 975 | 685 | 610       | 535           | 8   | 33  | 160 | 240 | 40                  | 22  | 13 | M30 | 49  |     |    |

※ For brake model's dimension and weight, contact Varitron® or your sales personal. 如需附剎車款式，相關尺寸及重量請洽中國變速。

※ Dimensions in above drawings are subject to change without notice. 尺寸若有變動，將不另行通知。



# VM Double Stage Flange Mount Gearmotor 雙段法蘭附馬達型

## Dimensions 外型尺寸表

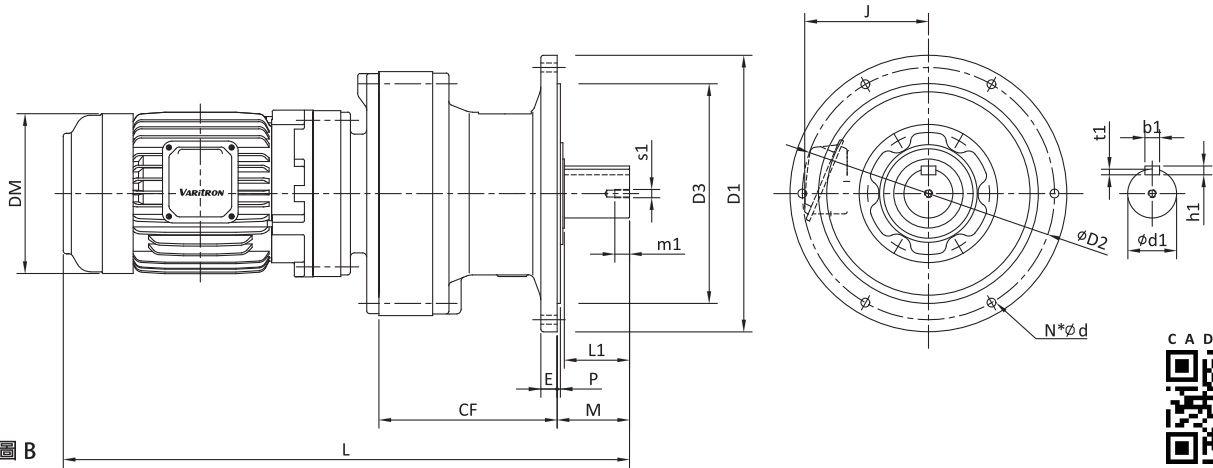


FIG. 圖 B

| Frame Size<br>型號 | Motor<br>馬達 |      | Fig.<br>圖   | L    | CF  | M   | E   | P   | J   | DM  | W<br>(kg) | Flange<br>法蘭面 |      |     |     |     | Output Shaft<br>出力軸 |     |    |     |    |     |    |
|------------------|-------------|------|-------------|------|-----|-----|-----|-----|-----|-----|-----------|---------------|------|-----|-----|-----|---------------------|-----|----|-----|----|-----|----|
|                  | Hp<br>(kW)  | P    |             |      |     |     |     |     |     |     |           | D1            | D2   | D3  | N   | d   | d1                  | L1  | b1 | h1  | t1 | s1  | m1 |
| VM8-8185DB       | 7½<br>(5.5) | 4    | B           | 890  | 386 | 110 | 22  | 5   | 224 | 273 | 230       | 430           | 390  | 345 | 8   | 18  | 80                  | 100 | 22 | 14  | 9  | M12 | 24 |
| VM8-8195DB       |             |      | B           | 966  | 427 | 145 | 30  | 6   | 224 | 273 | 300       | 490           | 450  | 400 | 12  | 18  | 95                  | 125 | 25 | 14  | 9  | M20 | 34 |
| VM8-8205DB       |             |      | B           | 1018 | 420 | 204 | 30  | 5   | 224 | 273 | 322       | 455           | 405  | 355 | 8   | 22  | 100                 | 165 | 28 | 16  | 10 | M20 | 34 |
| VM8-8215DA       |             |      | B           | 1044 | 447 | 203 | 35  | 7   | 224 | 273 | 383       | 490           | 440  | 390 | 8   | 24  | 110                 | 165 | 28 | 16  | 10 | M20 | 34 |
| VM8-8215DB       |             |      | B           | 1079 | 472 | 203 | 35  | 7   | 224 | 273 | 417       | 490           | 440  | 390 | 8   | 24  | 110                 | 165 | 28 | 16  | 10 | M20 | 34 |
| VM8-8225DA       |             |      | B           | 1086 | 482 | 210 | 35  | 10  | 224 | 273 | 472       | 535           | 475  | 415 | 8   | 27  | 120                 | 165 | 32 | 18  | 11 | M20 | 34 |
| VM8-8225DB       |             |      | B           | 1139 | 525 | 210 | 35  | 10  | 224 | 273 | 520       | 535           | 475  | 415 | 8   | 27  | 120                 | 165 | 32 | 18  | 11 | M20 | 34 |
| VM8-8235DA       |             |      | B           | 1183 | 529 | 250 | 40  | 10  | 224 | 273 | 572       | 570           | 510  | 450 | 8   | 27  | 130                 | 200 | 32 | 18  | 11 | M24 | 41 |
| VM8-8245DA       |             |      | B           | 1220 | 566 | 250 | 40  | 10  | 224 | 273 | 674       | 635           | 560  | 485 | 8   | 33  | 140                 | 200 | 36 | 20  | 12 | M24 | 41 |
| VM8-8255DA       |             |      | B           | 1360 | 661 | 295 | 45  | 10  | 224 | 273 | 993       | 685           | 610  | 535 | 8   | 33  | 160                 | 240 | 40 | 22  | 13 | M30 | 49 |
| VM8-8265DA       |             |      | B           | 1492 | 728 | 360 | 50  | 10  | 224 | 273 | 1340      | 750           | 660  | 570 | 8   | 39  | 170                 | 300 | 40 | 22  | 13 | M30 | 49 |
| VM10-8185DB      |             |      | 10<br>(7.5) | 4    | B   | 928 | 386 | 110 | 22  | 5   | 224       | 273           | 244  | 430 | 390 | 345 | 8                   | 18  | 80 | 100 | 22 | 14  | 9  |
| VM10-8195DB      | B           | 1004 |             |      | 427 | 145 | 30  | 6   | 224 | 273 | 313       | 490           | 450  | 400 | 12  | 18  | 95                  | 125 | 25 | 14  | 9  | M20 | 34 |
| VM10-8205DB      | B           | 1056 |             |      | 420 | 204 | 30  | 5   | 224 | 273 | 334       | 455           | 405  | 355 | 8   | 22  | 100                 | 165 | 28 | 16  | 10 | M20 | 34 |
| VM10-8215DA      | B           | 1082 |             |      | 447 | 203 | 35  | 7   | 224 | 273 | 395       | 490           | 440  | 390 | 8   | 24  | 110                 | 165 | 28 | 16  | 10 | M20 | 34 |
| VM10-8215DB      | B           | 1117 |             |      | 472 | 203 | 35  | 7   | 224 | 273 | 430       | 490           | 440  | 390 | 8   | 24  | 110                 | 165 | 28 | 16  | 10 | M20 | 34 |
| VM10-8225DA      | B           | 1124 |             |      | 482 | 210 | 35  | 10  | 224 | 273 | 485       | 535           | 475  | 415 | 8   | 27  | 120                 | 165 | 32 | 18  | 11 | M20 | 34 |
| VM10-8225DB      | B           | 1177 |             |      | 525 | 210 | 35  | 10  | 224 | 273 | 530       | 535           | 475  | 415 | 8   | 27  | 120                 | 165 | 32 | 18  | 11 | M20 | 34 |
| VM10-8235DA      | B           | 1221 |             |      | 529 | 250 | 40  | 10  | 224 | 273 | 585       | 570           | 510  | 450 | 8   | 27  | 130                 | 200 | 32 | 18  | 11 | M24 | 41 |
| VM10-8245DA      | B           | 1258 |             |      | 566 | 250 | 40  | 10  | 224 | 273 | 688       | 635           | 560  | 485 | 8   | 33  | 140                 | 200 | 36 | 20  | 12 | M24 | 41 |
| VM10-8255DA      | B           | 1398 |             |      | 661 | 295 | 45  | 10  | 224 | 273 | 1008      | 685           | 610  | 535 | 8   | 33  | 160                 | 240 | 40 | 22  | 13 | M30 | 49 |
| VM10-8265DA      | B           | 1530 |             |      | 728 | 360 | 50  | 10  | 224 | 273 | 1350      | 750           | 660  | 570 | 8   | 39  | 170                 | 300 | 40 | 22  | 13 | M30 | 49 |
| VM10-8275DA      | B           | 1791 |             |      | 994 | 355 | 60  | 10  | 224 | 273 | 2740      | 1160          | 1020 | 900 | 8   | 39  | 180                 | 320 | 45 | 25  | 15 | M30 | 52 |
| VM15-8215DB      | 15<br>(11)  | 4    | B           | 1185 | 472 | 203 | 35  | 7   | 263 | 334 | 473       | 490           | 440  | 390 | 8   | 24  | 110                 | 165 | 28 | 16  | 10 | M20 | 34 |
| VM15-8225DB      |             |      | B           | 1245 | 525 | 210 | 35  | 10  | 263 | 334 | 575       | 535           | 475  | 415 | 8   | 27  | 120                 | 165 | 32 | 18  | 11 | M20 | 34 |
| VM15-8235DA      |             |      | B           | 1289 | 529 | 250 | 40  | 10  | 263 | 334 | 629       | 570           | 510  | 450 | 8   | 27  | 130                 | 200 | 32 | 18  | 11 | M24 | 41 |
| VM15-8235DB      |             |      | B           | 1311 | 551 | 250 | 40  | 10  | 263 | 334 | 661       | 570           | 510  | 450 | 8   | 27  | 130                 | 200 | 32 | 18  | 11 | M24 | 41 |
| VM15-8245DA      |             |      | B           | 1326 | 566 | 250 | 40  | 10  | 263 | 334 | 735       | 635           | 560  | 485 | 8   | 33  | 140                 | 200 | 36 | 20  | 12 | M24 | 41 |
| VM15-8245DB      |             |      | B           | 1347 | 587 | 250 | 40  | 10  | 263 | 334 | 770       | 635           | 560  | 485 | 8   | 33  | 140                 | 200 | 36 | 20  | 12 | M24 | 41 |
| VM15-8255DA      |             |      | B           | 1466 | 661 | 295 | 45  | 10  | 263 | 334 | 1060      | 685           | 610  | 535 | 8   | 33  | 160                 | 240 | 40 | 22  | 13 | M30 | 49 |
| VM15-8255DB      |             |      | B           | 1489 | 684 | 295 | 45  | 10  | 263 | 334 | 1130      | 685           | 610  | 535 | 8   | 33  | 160                 | 240 | 40 | 22  | 13 | M30 | 49 |
| VM15-8265DA      |             |      | B           | 1598 | 728 | 360 | 50  | 10  | 263 | 334 | 1400      | 750           | 660  | 570 | 8   | 39  | 170                 | 300 | 40 | 22  | 13 | M30 | 49 |
| VM15-8275DA      |             |      | B           | 1859 | 994 | 355 | 60  | 10  | 263 | 334 | 2780      | 1160          | 1020 | 900 | 8   | 39  | 180                 | 320 | 45 | 25  | 15 | M30 | 52 |

※ For brake model's dimension and weight, contact Varitron® or your sales personal. 如需附制車款式，相關尺寸及重量請洽中國變速。

※ Dimensions in above drawings are subject to change without notice. 尺寸若有變動，將不另行通知。

# VM Double Stage Flange Mount Gearmotor 雙段法蘭附馬達型

## Dimensions 外型尺寸表

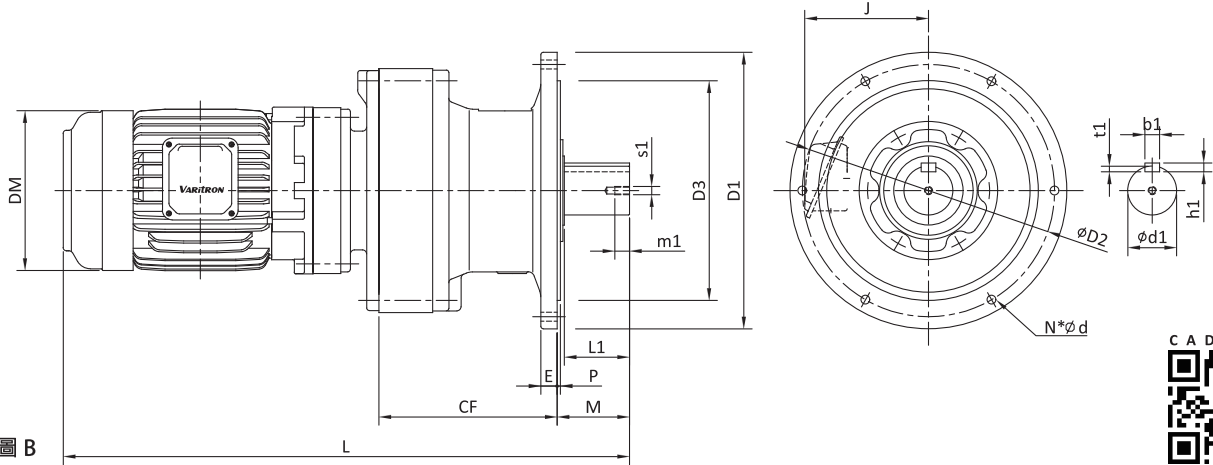


FIG.圖 B

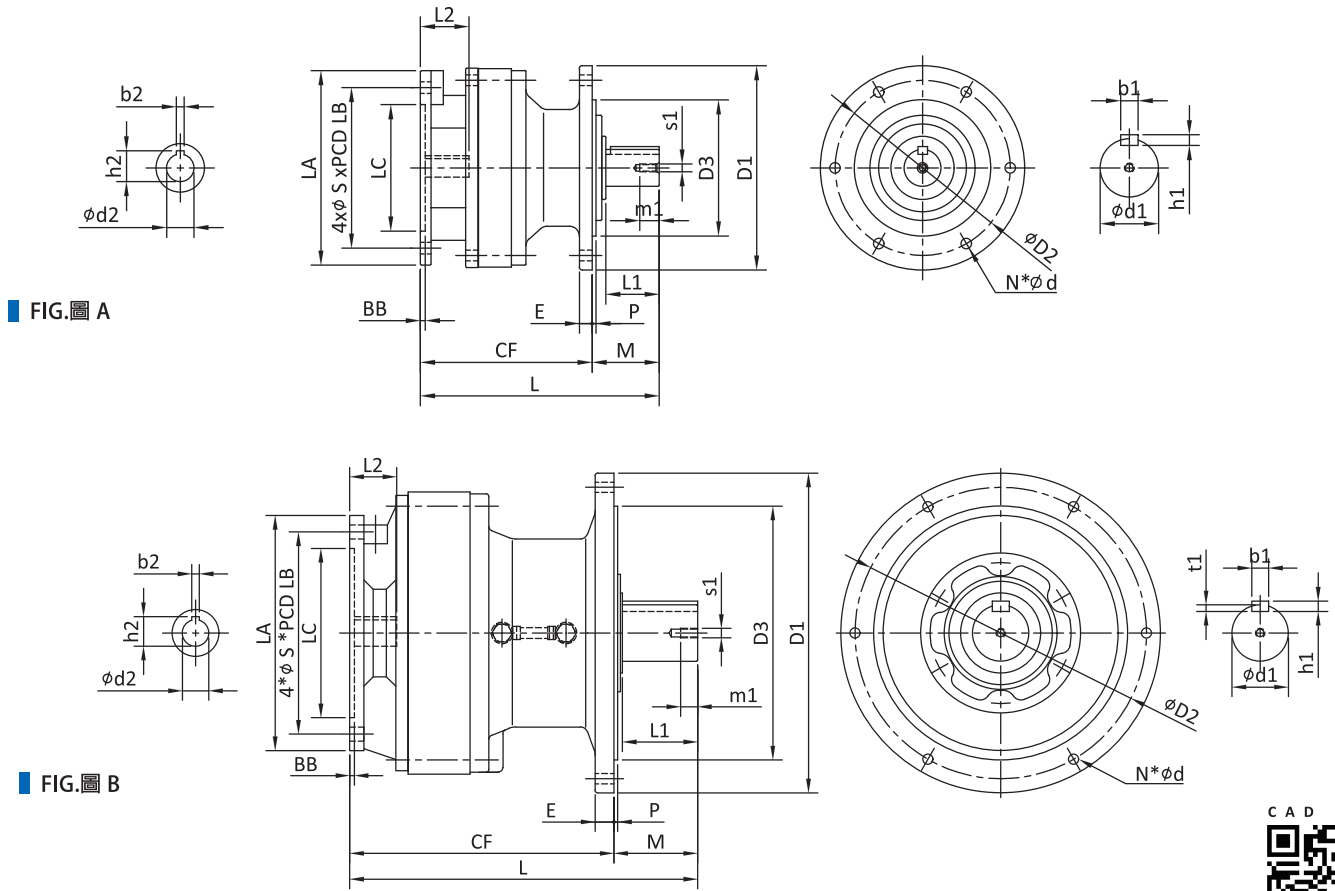
| Frame Size<br>型號 | Motor<br>馬達  |   | Fig.<br>圖 | L    | CF  | M   | E  | P  | J   | DM  | W<br>(kg) | Flange<br>法蘭面 |      |     |   |    | Output Shaft 出力軸 |     |    |    |    |     |    |
|------------------|--------------|---|-----------|------|-----|-----|----|----|-----|-----|-----------|---------------|------|-----|---|----|------------------|-----|----|----|----|-----|----|
|                  | Hp<br>(kW)   | P |           |      |     |     |    |    |     |     |           | D1            | D2   | D3  | N | d  | d1               | L1  | b1 | h1 | t1 | s1  | m1 |
| VM20-8215DB      | 20<br>(15)   | 4 | B         | 1229 | 472 | 203 | 35 | 7  | 263 | 334 | 488       | 490           | 440  | 390 | 8 | 24 | 110              | 165 | 28 | 16 | 10 | M20 | 34 |
| VM20-8225DB      |              |   | B         | 1289 | 525 | 210 | 35 | 10 | 263 | 334 | 590       | 535           | 475  | 415 | 8 | 27 | 120              | 165 | 32 | 18 | 11 | M20 | 34 |
| VM20-8235DA      |              |   | B         | 1333 | 529 | 250 | 40 | 10 | 263 | 334 | 655       | 570           | 510  | 450 | 8 | 27 | 130              | 200 | 32 | 18 | 11 | M24 | 41 |
| VM20-8235DB      |              |   | B         | 1355 | 551 | 250 | 40 | 10 | 263 | 334 | 687       | 570           | 510  | 450 | 8 | 27 | 130              | 200 | 32 | 18 | 11 | M24 | 41 |
| VM20-8245DA      |              |   | B         | 1370 | 566 | 250 | 40 | 10 | 263 | 334 | 747       | 635           | 560  | 485 | 8 | 33 | 140              | 200 | 36 | 20 | 12 | M24 | 41 |
| VM20-8245DB      |              |   | B         | 1391 | 587 | 250 | 40 | 10 | 263 | 334 | 774       | 635           | 560  | 485 | 8 | 33 | 140              | 200 | 36 | 20 | 12 | M24 | 41 |
| VM20-8255DA      |              |   | B         | 1510 | 661 | 295 | 45 | 10 | 263 | 334 | 1075      | 685           | 610  | 535 | 8 | 33 | 160              | 240 | 40 | 22 | 13 | M30 | 49 |
| VM20-8255DB      |              |   | B         | 1533 | 684 | 295 | 45 | 10 | 263 | 334 | 1145      | 685           | 610  | 535 | 8 | 33 | 160              | 240 | 40 | 22 | 13 | M30 | 49 |
| VM20-8265DA      |              |   | B         | 1642 | 728 | 360 | 50 | 10 | 263 | 334 | 1410      | 750           | 660  | 570 | 8 | 39 | 170              | 300 | 40 | 22 | 13 | M30 | 49 |
| VM20-8275DA      |              |   | B         | 1903 | 994 | 355 | 60 | 10 | 263 | 334 | 2800      | 1160          | 1020 | 900 | 8 | 39 | 180              | 320 | 45 | 25 | 15 | M30 | 52 |
| VM25-8225DB      | 25<br>(18.5) | 4 | B         | 1300 | 525 | 210 | 35 | 10 | 305 | 382 | 665       | 535           | 475  | 415 | 8 | 27 | 120              | 165 | 32 | 18 | 11 | M20 | 34 |
| VM25-8235DB      |              |   | B         | 1371 | 551 | 250 | 40 | 10 | 305 | 382 | 730       | 570           | 510  | 450 | 8 | 27 | 130              | 200 | 32 | 18 | 11 | M24 | 41 |
| VM25-8245DB      |              |   | B         | 1407 | 587 | 250 | 40 | 10 | 305 | 382 | 830       | 635           | 560  | 485 | 8 | 33 | 140              | 200 | 36 | 20 | 12 | M24 | 41 |
| VM25-8255DA      |              |   | B         | 1521 | 661 | 295 | 45 | 10 | 305 | 382 | 1125      | 685           | 610  | 535 | 8 | 33 | 160              | 240 | 40 | 22 | 13 | M30 | 49 |
| VM25-8255DB      |              |   | B         | 1549 | 684 | 295 | 45 | 10 | 305 | 382 | 1195      | 685           | 610  | 535 | 8 | 33 | 160              | 240 | 40 | 22 | 13 | M30 | 49 |
| VM25-8265DA      |              |   | B         | 1658 | 728 | 360 | 50 | 10 | 305 | 382 | 1465      | 750           | 660  | 570 | 8 | 39 | 170              | 300 | 40 | 22 | 13 | M30 | 49 |
| VM25-8275DA      |              |   | B         | 1919 | 994 | 355 | 60 | 10 | 305 | 382 | 2850      | 1160          | 1020 | 900 | 8 | 39 | 180              | 320 | 45 | 25 | 15 | M30 | 52 |
| VM30-8225DB      | 30<br>(22)   | 4 | B         | 1300 | 525 | 210 | 35 | 10 | 305 | 382 | 665       | 535           | 475  | 415 | 8 | 27 | 120              | 165 | 32 | 18 | 11 | M20 | 34 |
| VM30-8235DB      |              |   | B         | 1371 | 551 | 250 | 40 | 10 | 305 | 382 | 730       | 570           | 510  | 450 | 8 | 27 | 130              | 200 | 32 | 18 | 11 | M24 | 41 |
| VM30-8245DB      |              |   | B         | 1407 | 587 | 250 | 40 | 10 | 305 | 382 | 830       | 635           | 560  | 485 | 8 | 33 | 140              | 200 | 36 | 20 | 12 | M24 | 41 |
| VM30-8255DA      |              |   | B         | 1521 | 661 | 295 | 45 | 10 | 305 | 382 | 1125      | 685           | 610  | 535 | 8 | 33 | 160              | 240 | 40 | 22 | 13 | M30 | 49 |
| VM30-8255DB      |              |   | B         | 1549 | 684 | 295 | 45 | 10 | 305 | 382 | 1195      | 685           | 610  | 535 | 8 | 33 | 160              | 240 | 40 | 22 | 13 | M30 | 49 |
| VM30-8265DA      |              |   | B         | 1658 | 728 | 360 | 50 | 10 | 305 | 382 | 1465      | 750           | 660  | 570 | 8 | 39 | 170              | 300 | 40 | 22 | 13 | M30 | 49 |
| VM30-8275DA      |              |   | B         | 1919 | 994 | 355 | 60 | 10 | 305 | 382 | 2850      | 1160          | 1020 | 900 | 8 | 39 | 180              | 320 | 45 | 25 | 15 | M30 | 52 |
| VM40-8225DB      | 40<br>(30)   | 4 | B         | 1338 | 525 | 210 | 35 | 10 | 305 | 382 | 688       | 535           | 475  | 415 | 8 | 27 | 120              | 165 | 32 | 18 | 11 | M20 | 34 |
| VM40-8235DB      |              |   | B         | 1409 | 551 | 250 | 40 | 10 | 305 | 382 | 752       | 570           | 510  | 450 | 8 | 27 | 130              | 200 | 32 | 18 | 11 | M24 | 41 |
| VM40-8245DB      |              |   | B         | 1445 | 587 | 250 | 40 | 10 | 305 | 382 | 853       | 635           | 560  | 485 | 8 | 33 | 140              | 200 | 36 | 20 | 12 | M24 | 41 |
| VM40-8255DA      |              |   | B         | 1559 | 661 | 295 | 45 | 10 | 305 | 382 | 1150      | 685           | 610  | 535 | 8 | 33 | 160              | 240 | 40 | 22 | 13 | M30 | 49 |
| VM40-8255DB      |              |   | B         | 1587 | 684 | 295 | 45 | 10 | 305 | 382 | 1220      | 685           | 610  | 535 | 8 | 33 | 160              | 240 | 40 | 22 | 13 | M30 | 49 |
| VM40-8265DA      |              |   | B         | 1696 | 728 | 360 | 50 | 10 | 305 | 382 | 1485      | 750           | 660  | 570 | 8 | 39 | 170              | 300 | 40 | 22 | 13 | M30 | 49 |
| VM40-8275DA      |              |   | B         | 1957 | 994 | 355 | 60 | 10 | 305 | 382 | 2885      | 1160          | 1020 | 900 | 8 | 39 | 180              | 320 | 45 | 25 | 15 | M30 | 52 |
| VM50-8245DB      | 50<br>(37)   | 4 | B         | 1057 | 587 | 250 | 40 | 10 | 362 | 458 | 951       | 635           | 560  | 485 | 8 | 33 | 140              | 200 | 36 | 20 | 12 | M24 | 41 |
| VM50-8255DB      |              |   | B         | 1654 | 684 | 295 | 45 | 10 | 362 | 458 | 1320      | 685           | 610  | 535 | 8 | 33 | 160              | 240 | 40 | 22 | 13 | M30 | 49 |
| VM50-8265DA      |              |   | B         | 1763 | 728 | 360 | 50 | 10 | 362 | 458 | 1600      | 750           | 660  | 570 | 8 | 39 | 170              | 300 | 40 | 22 | 13 | M30 | 49 |
| VM50-8275DA      |              |   | B         | 2024 | 994 | 355 | 60 | 10 | 362 | 458 | 2985      | 1160          | 1020 | 900 | 8 | 39 | 180              | 320 | 45 | 25 | 15 | M30 | 52 |
| VM60-8265DA      | 60<br>(45)   | 4 | B         | 1763 | 728 | 360 | 50 | 10 | 362 | 458 | 1650      | 750           | 660  | 570 | 8 | 39 | 170              | 300 | 40 | 22 | 13 | M30 | 49 |
| VM60-8275DA      |              |   | B         | 2024 | 994 | 355 | 60 | 10 | 362 | 458 | 3000      | 1160          | 1020 | 900 | 8 | 39 | 180              | 320 | 45 | 25 | 15 | M30 | 52 |

※ For brake model's dimension and weight, contact Varitron® or your sales personal. 如需附剎車款式，相關尺寸及重量請洽中國變速。

※ Dimensions in above drawings are subject to change without notice. 尺寸若有變動，將不另行通知。

# VX Single Stage Flange Mount Reducer with IEC/NEMA Adaptor 單段法蘭型附入力法蘭

## Dimensions 外型尺寸表



| Frame Size<br>型號 | Motor<br>馬達 |     | Fig.<br>圖 | L   | CF  | M  | E   | P   | Flange<br>法蘭面 |     |     |     | IEC Motor Flange<br>馬達盤 |     |     |     |    | Input Bore<br>入力孔 |    |    |      | Output Shaft<br>出力軸 |    |    |     |     |     |     |    |
|------------------|-------------|-----|-----------|-----|-----|----|-----|-----|---------------|-----|-----|-----|-------------------------|-----|-----|-----|----|-------------------|----|----|------|---------------------|----|----|-----|-----|-----|-----|----|
|                  | Hp          | P   |           |     |     |    |     |     | D1            | D2  | D3  | N   | d                       | LA  | LB  | LC  | BB | S                 | d2 | b2 | h2   | L2                  | d1 | L1 | b1  | h1  | t1  | s1  | m1 |
| VX05-8090        | 1/2         | 4   | A         | 199 | 151 | 48 | 9   | 3   | 160           | 134 | 110 | 4   | 11                      | 160 | 130 | 110 | 4  | 10                | 14 | 5  | 17   | 30                  | 28 | 35 | 8   | 7   | 4   | M8  | 20 |
| VX05-8105        |             |     | A         | 199 | 151 | 48 | 9   | 3   | 160           | 134 | 110 | 4   | 11                      | 160 | 130 | 110 | 4  | 10                | 14 | 5  | 17   | 30                  | 28 | 35 | 8   | 7   | 4   | M8  | 20 |
| VX05-8125        |             |     | A         | 246 | 177 | 69 | 13  | 4   | 210           | 180 | 140 | 6   | 11                      | 160 | 130 | 110 | 4  | 10                | 14 | 5  | 17   | 30                  | 38 | 55 | 10  | 8   | 5   | M8  | 20 |
| VX1-8090         | 1           | 4   | A         | 216 | 168 | 48 | 9   | 3   | 160           | 134 | 110 | 4   | 11                      | 200 | 165 | 130 | 5  | 12                | 19 | 6  | 22   | 40                  | 28 | 35 | 8   | 7   | 4   | M8  | 20 |
| VX1-8105         |             |     | A         | 216 | 168 | 48 | 9   | 3   | 160           | 134 | 110 | 4   | 11                      | 200 | 165 | 130 | 5  | 12                | 19 | 6  | 22   | 40                  | 28 | 35 | 8   | 7   | 4   | M8  | 20 |
| VX1-8125         |             |     | A         | 246 | 177 | 69 | 13  | 4   | 210           | 180 | 140 | 6   | 11                      | 200 | 165 | 130 | 5  | 12                | 19 | 6  | 22   | 40                  | 38 | 55 | 10  | 8   | 5   | M8  | 20 |
| VX1-8135         |             |     | A         | 295 | 219 | 76 | 15  | 4   | 260           | 230 | 200 | 6   | 11                      | 200 | 165 | 130 | 5  | 12                | 19 | 6  | 22   | 40                  | 50 | 61 | 14  | 9   | 5.5 | M10 | 18 |
| VX1-8145         | A           | 315 | 219       | 96  | 15  | 4  | 260 | 230 | 200           | 6   | 11  | 200 | 165                     | 130 | 5   | 12  | 19 | 6                 | 22 | 40 | 50   | 81                  | 14 | 9  | 5.5 | M10 | 18  |     |    |
| VX2-8105         | 2           | 4   | A         | 216 | 168 | 48 | 9   | 3   | 160           | 134 | 110 | 4   | 11                      | 200 | 165 | 130 | 5  | 12                | 24 | 8  | 27.5 | 50                  | 28 | 35 | 8   | 7   | 4   | M8  | 20 |
| VX2-8125         |             |     | A         | 246 | 177 | 69 | 13  | 4   | 210           | 180 | 140 | 6   | 11                      | 200 | 165 | 130 | 5  | 12                | 24 | 8  | 27.5 | 50                  | 38 | 55 | 10  | 8   | 5   | M8  | 20 |
| VX2-8135         |             |     | A         | 295 | 219 | 76 | 15  | 4   | 260           | 230 | 200 | 6   | 11                      | 200 | 165 | 130 | 5  | 12                | 24 | 8  | 27.5 | 50                  | 50 | 61 | 14  | 9   | 5.5 | M10 | 18 |
| VX2-8145         |             |     | A         | 315 | 219 | 96 | 15  | 4   | 260           | 230 | 200 | 6   | 11                      | 200 | 165 | 130 | 5  | 12                | 24 | 8  | 27.5 | 50                  | 50 | 81 | 14  | 9   | 5.5 | M10 | 18 |
| VX3-8105         | 3           | 4   | A         | 228 | 180 | 48 | 9   | 3   | 160           | 134 | 110 | 4   | 11                      | 250 | 215 | 180 | 5  | 15                | 28 | 8  | 31.5 | 60                  | 28 | 35 | 8   | 7   | 4   | M8  | 20 |
| VX3-8125         |             |     | A         | 256 | 187 | 69 | 13  | 4   | 210           | 180 | 140 | 6   | 11                      | 250 | 215 | 180 | 5  | 15                | 28 | 8  | 31.5 | 60                  | 38 | 55 | 10  | 8   | 5   | M8  | 20 |
| VX3-8135         |             |     | A         | 319 | 243 | 76 | 15  | 4   | 260           | 230 | 200 | 6   | 11                      | 250 | 215 | 180 | 5  | 15                | 28 | 8  | 31.5 | 60                  | 50 | 61 | 14  | 9   | 5.5 | M10 | 18 |
| VX3-8145         |             |     | A         | 339 | 243 | 96 | 15  | 4   | 260           | 230 | 200 | 6   | 11                      | 250 | 215 | 180 | 5  | 15                | 28 | 8  | 31.5 | 60                  | 50 | 81 | 14  | 9   | 5.5 | M10 | 18 |
| VX3-8165         |             |     | B         | 370 | 281 | 89 | 20  | 4   | 340           | 310 | 270 | 6   | 11                      | 250 | 215 | 180 | 5  | 15                | 28 | 8  | 31.5 | 60                  | 60 | 80 | 18  | 11  | 7   | M10 | 18 |
| VX5-8125         | 5           | 4   | A         | 256 | 187 | 69 | 13  | 4   | 210           | 180 | 140 | 6   | 11                      | 250 | 215 | 180 | 5  | 15                | 28 | 8  | 31.5 | 60                  | 38 | 55 | 10  | 8   | 5   | M8  | 20 |
| VX5-8135         |             |     | A         | 319 | 243 | 76 | 15  | 4   | 260           | 230 | 200 | 6   | 11                      | 250 | 215 | 180 | 5  | 15                | 28 | 8  | 31.5 | 60                  | 50 | 61 | 14  | 9   | 5.5 | M10 | 18 |
| VX5-8145         |             |     | A         | 339 | 243 | 96 | 15  | 4   | 260           | 230 | 200 | 6   | 11                      | 250 | 215 | 180 | 5  | 15                | 28 | 8  | 31.5 | 60                  | 50 | 81 | 14  | 9   | 5.5 | M10 | 18 |
| VX5-8165         |             |     | B         | 370 | 281 | 89 | 20  | 4   | 340           | 310 | 270 | 6   | 11                      | 250 | 215 | 180 | 5  | 15                | 28 | 8  | 31.5 | 60                  | 60 | 80 | 18  | 11  | 7   | M10 | 18 |
| VX5-8175         |             |     | B         | 425 | 331 | 94 | 22  | 5   | 400           | 360 | 316 | 8   | 14                      | 250 | 215 | 180 | 5  | 15                | 28 | 8  | 31.5 | 60                  | 70 | 84 | 20  | 12  | 7.5 | M12 | 24 |

※ Larger model available, contact Varitron or your sales personal. 如需更大型號，請洽中國變速。  
 ※ Dimensions in above drawings are subject to change without notice. 尺寸若有變動，將不另行通知。

# VX Single Stage Flange Mount Reducer with IEC/NEMA Adaptor 單段法蘭型附入力法蘭

## Dimensions 外型尺寸表

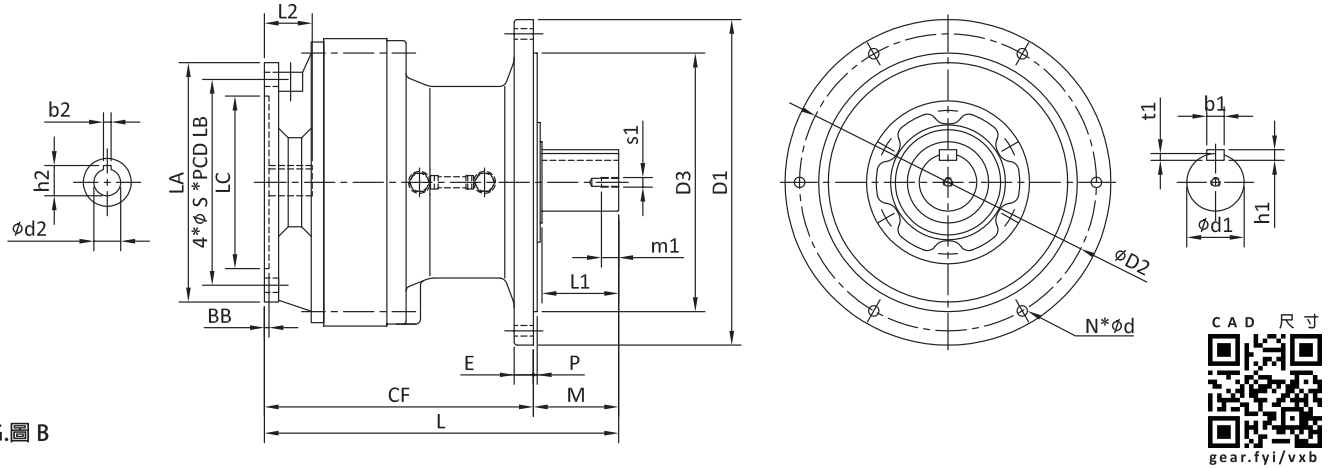


FIG.圖 B

| Frame Size<br>型號 | Motor<br>馬達 |     | Fig.<br>圖 | L   | CF  | M   | E   | P   | Flange<br>法蘭面 |     |     |     |     | IEC Motor Flange<br>馬達盤 |     |     |     |     | Input Bore<br>入力孔 |    |      |     | Output Shaft<br>出力軸 |     |     |     |     |     |    |
|------------------|-------------|-----|-----------|-----|-----|-----|-----|-----|---------------|-----|-----|-----|-----|-------------------------|-----|-----|-----|-----|-------------------|----|------|-----|---------------------|-----|-----|-----|-----|-----|----|
|                  | Hp          | P   |           |     |     |     |     |     | D1            | D2  | D3  | N   | d   | LA                      | LB  | LC  | BB  | S   | d2                | b2 | h2   | L2  | d1                  | L1  | b1  | h1  | t1  | s1  | m1 |
| VX8-8135         | 7½          | 4   | A         | 330 | 254 | 76  | 15  | 4   | 260           | 230 | 200 | 6   | 11  | 300                     | 265 | 230 | 5   | 15  | 38                | 10 | 41.5 | 80  | 50                  | 61  | 14  | 9   | 5.5 | M10 | 18 |
| VX8-8145         |             |     | A         | 350 | 254 | 96  | 15  | 4   | 260           | 230 | 200 | 6   | 11  | 300                     | 265 | 230 | 5   | 15  | 38                | 10 | 41.5 | 80  | 50                  | 81  | 14  | 9   | 5.5 | M10 | 18 |
| VX8-8165         |             |     | B         | 390 | 301 | 89  | 20  | 4   | 340           | 310 | 270 | 6   | 11  | 300                     | 265 | 230 | 5   | 15  | 38                | 10 | 41.5 | 80  | 60                  | 80  | 18  | 11  | 7   | M10 | 18 |
| VX8-8175         |             |     | B         | 448 | 354 | 94  | 22  | 5   | 400           | 360 | 316 | 8   | 14  | 300                     | 265 | 230 | 5   | 15  | 38                | 10 | 41.5 | 80  | 70                  | 84  | 20  | 12  | 7.5 | M12 | 24 |
| VX8-8185         |             |     | B         | 483 | 373 | 110 | 22  | 5   | 430           | 390 | 345 | 8   | 18  | 300                     | 265 | 230 | 5   | 15  | 38                | 10 | 41.5 | 80  | 80                  | 100 | 22  | 14  | 9   | M12 | 24 |
| VX8-8195         |             |     | B         | 589 | 444 | 145 | 30  | 6   | 490           | 450 | 400 | 12  | 18  | 300                     | 265 | 230 | 5   | 15  | 38                | 10 | 41.5 | 80  | 95                  | 100 | 25  | 14  | 9   | M20 | 34 |
| VX10-8135        | 10          | 4   | A         | 330 | 254 | 76  | 15  | 4   | 260           | 230 | 200 | 6   | 11  | 300                     | 265 | 230 | 5   | 15  | 38                | 10 | 41.5 | 80  | 50                  | 61  | 14  | 9   | 5.5 | M10 | 18 |
| VX10-8145        |             |     | A         | 350 | 254 | 96  | 15  | 4   | 260           | 230 | 200 | 6   | 11  | 300                     | 265 | 230 | 5   | 15  | 38                | 10 | 41.5 | 80  | 50                  | 81  | 14  | 9   | 5.5 | M10 | 18 |
| VX10-8165        |             |     | B         | 390 | 301 | 89  | 20  | 4   | 340           | 310 | 270 | 6   | 11  | 300                     | 265 | 230 | 5   | 15  | 38                | 10 | 41.5 | 80  | 60                  | 80  | 18  | 11  | 7   | M10 | 18 |
| VX10-8175        |             |     | B         | 448 | 354 | 94  | 22  | 5   | 400           | 360 | 316 | 8   | 14  | 300                     | 265 | 230 | 5   | 15  | 38                | 10 | 41.5 | 80  | 70                  | 84  | 20  | 12  | 7.5 | M12 | 24 |
| VX10-8185        |             |     | B         | 483 | 373 | 110 | 22  | 5   | 430           | 390 | 345 | 8   | 18  | 300                     | 265 | 230 | 5   | 15  | 38                | 10 | 41.5 | 80  | 80                  | 100 | 22  | 14  | 9   | M12 | 24 |
| VX10-8195        |             |     | B         | 589 | 444 | 145 | 30  | 6   | 490           | 450 | 400 | 12  | 18  | 300                     | 265 | 230 | 5   | 15  | 38                | 10 | 41.5 | 80  | 95                  | 125 | 25  | 14  | 9   | M20 | 34 |
| VX15-8165        | 15          | 4   | B         | 426 | 337 | 89  | 20  | 4   | 340           | 310 | 270 | 6   | 11  | 350                     | 300 | 250 | 5   | 20  | 42                | 12 | 46   | 110 | 60                  | 80  | 18  | 11  | 7   | M10 | 18 |
| VX15-8175        |             |     | B         | 476 | 382 | 94  | 22  | 5   | 400           | 360 | 316 | 8   | 14  | 350                     | 300 | 250 | 5   | 20  | 42                | 12 | 46   | 110 | 70                  | 84  | 20  | 12  | 7.5 | M12 | 24 |
| VX15-8185        |             |     | B         | 513 | 403 | 110 | 22  | 5   | 430           | 390 | 345 | 8   | 18  | 350                     | 300 | 250 | 5   | 20  | 42                | 12 | 46   | 110 | 80                  | 100 | 22  | 14  | 9   | M12 | 24 |
| VX15-8195        |             |     | B         | 589 | 444 | 145 | 30  | 6   | 490           | 450 | 400 | 12  | 18  | 350                     | 300 | 250 | 5   | 20  | 42                | 12 | 46   | 110 | 95                  | 125 | 25  | 14  | 9   | M20 | 34 |
| VX15-8205        |             |     | B         | -   | -   | 204 | 30  | 5   | 455           | 405 | 355 | 8   | 22  | 350                     | 300 | 250 | 5   | 20  | 42                | 12 | 46   | 110 | 100                 | 165 | 28  | 16  | 10  | M20 | 34 |
| VX20-8165        |             |     | 20        | 4   | B   | 426 | 337 | 89  | 20            | 4   | 340 | 310 | 270 | 6                       | 11  | 350 | 300 | 250 | 5                 | 20 | 42   | 12  | 46                  | 110 | 60  | 80  | 18  | 11  | 7  |
| VX20-8175        | B           | 476 |           |     | 382 | 94  | 22  | 5   | 400           | 360 | 316 | 8   | 14  | 350                     | 300 | 250 | 5   | 20  | 42                | 12 | 46   | 110 | 70                  | 84  | 20  | 12  | 7.5 | M12 | 24 |
| VX20-8185        | B           | 513 |           |     | 403 | 110 | 22  | 5   | 430           | 390 | 345 | 8   | 18  | 350                     | 300 | 250 | 5   | 20  | 42                | 12 | 46   | 110 | 80                  | 100 | 22  | 14  | 9   | M12 | 24 |
| VX20-8195        | B           | 589 |           |     | 444 | 145 | 30  | 6   | 490           | 450 | 400 | 12  | 18  | 350                     | 300 | 250 | 5   | 20  | 42                | 12 | 46   | 110 | 95                  | 125 | 25  | 14  | 9   | M20 | 34 |
| VX20-8205        | B           | -   |           |     | -   | 204 | 30  | 5   | 455           | 405 | 355 | 8   | 22  | 350                     | 300 | 250 | 5   | 20  | 42                | 12 | 46   | 110 | 100                 | 165 | 28  | 16  | 10  | M20 | 34 |
| VX25-8205        | 25          | 4   |           |     | B   | -   | -   | 204 | 30            | 5   | 455 | 405 | 355 | 8                       | 22  | 400 | 350 | 300 | 5                 | 20 | 48   | 14  | 53                  | 110 | 100 | 165 | 28  | 16  | 10 |
| VX30-8205        | 30          | 4   | B         | -   | -   | 204 | 30  | 5   | 455           | 405 | 355 | 8   | 22  | 400                     | 350 | 300 | 5   | 20  | 48                | 14 | 53   | 110 | 100                 | 165 | 28  | 16  | 10  | M20 | 34 |
| VX40-8205        | 40          | 4   | B         | -   | -   | 204 | 30  | 5   | 455           | 405 | 355 | 8   | 22  | 400                     | 350 | 300 | 5   | 20  | 55                | 16 | 60   | 110 | 100                 | 165 | 28  | 16  | 10  | M20 | 34 |

※ Larger model available, contact Varitron or your sales personal. 如需更大型號，請洽中國變速。  
 ※ Dimensions in above drawings are subject to change without notice. 尺寸若有變動，將不另行通知。



# VX Double Stage Flange Mount Reducer with IEC/NEMA Adaptor 雙段法蘭型附入力法蘭

## Dimensions 外型尺寸表

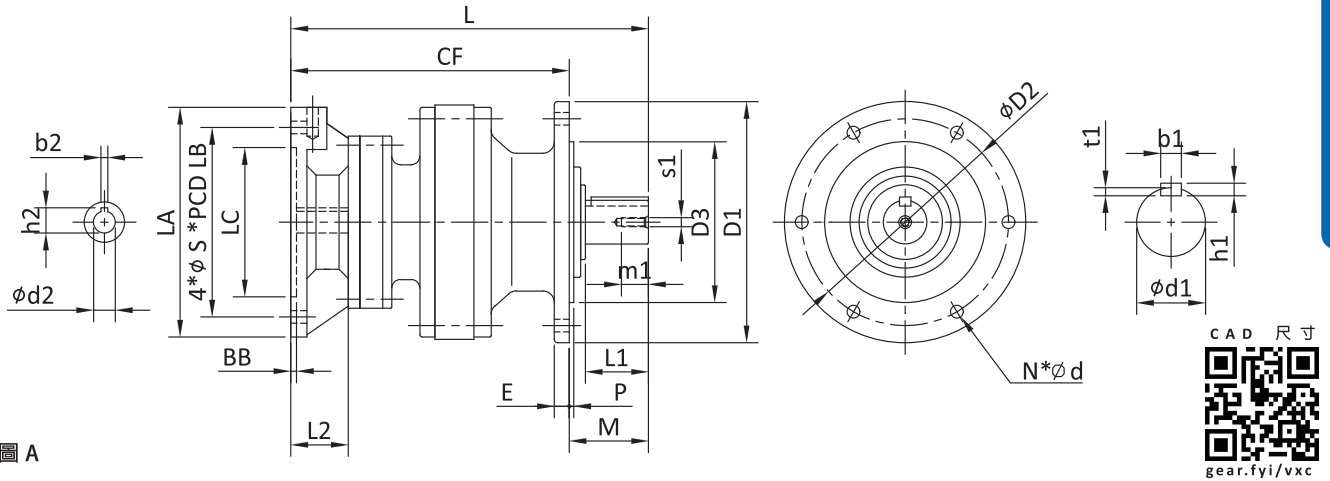


FIG.圖 A

| Frame Size<br>型號 | Motor<br>馬達  |          | Fig.<br>圖  | L        | CF  | M   | E   | P  | Flange<br>法蘭面 |     |     |     | IEC Motor Flange<br>馬達盤 |     |     |     |     | Input Bore<br>入力孔 |    |    |      | Output Shaft<br>出力軸 |     |     |    |    |     |     |    |
|------------------|--------------|----------|------------|----------|-----|-----|-----|----|---------------|-----|-----|-----|-------------------------|-----|-----|-----|-----|-------------------|----|----|------|---------------------|-----|-----|----|----|-----|-----|----|
|                  | Hp           | P        |            |          |     |     |     |    | D1            | D2  | D3  | N   | d                       | LA  | LB  | LC  | BB  | S                 | d2 | b2 | h2   | L2                  | d1  | L1  | b1 | h1 | t1  | s1  | m1 |
| VX05-8105DA      | 1/2<br>(1/4) | 4<br>(6) | A          | 254      | 206 | 48  | 9   | 3  | 160           | 134 | 110 | 4   | 11                      | 160 | 130 | 110 | 4   | 10                | 14 | 5  | 17   | 30                  | 28  | 35  | 8  | 7  | 4   | M8  | 20 |
| VX05-8125DA      |              |          | A          | 290      | 221 | 69  | 13  | 4  | 210           | 180 | 140 | 6   | 11                      | 160 | 130 | 110 | 4   | 10                | 14 | 5  | 17   | 30                  | 38  | 55  | 10 | 8  | 5   | M8  | 20 |
| VX05-8125DB      |              |          | A          | 309      | 240 | 69  | 13  | 4  | 210           | 180 | 140 | 6   | 11                      | 160 | 130 | 110 | 4   | 10                | 14 | 5  | 17   | 30                  | 38  | 55  | 10 | 8  | 5   | M8  | 20 |
| VX05-8135DA      |              |          | A          | 344      | 268 | 76  | 15  | 4  | 260           | 230 | 200 | 6   | 11                      | 160 | 130 | 110 | 4   | 10                | 14 | 5  | 17   | 30                  | 50  | 61  | 14 | 9  | 5.5 | M10 | 18 |
| VX05-8135DB      |              |          | A          | 360      | 284 | 76  | 15  | 4  | 260           | 230 | 200 | 6   | 11                      | 160 | 130 | 110 | 4   | 10                | 14 | 5  | 17   | 30                  | 50  | 61  | 14 | 9  | 5.5 | M10 | 18 |
| VX05-8145DA      |              |          | A          | 364      | 268 | 96  | 15  | 4  | 260           | 230 | 200 | 6   | 11                      | 160 | 130 | 110 | 4   | 10                | 14 | 5  | 17   | 30                  | 50  | 81  | 14 | 9  | 5.5 | M10 | 18 |
| VX05-8145DB      |              |          | A          | 380      | 284 | 96  | 15  | 4  | 260           | 230 | 200 | 6   | 11                      | 160 | 130 | 110 | 4   | 10                | 14 | 5  | 17   | 30                  | 50  | 81  | 14 | 9  | 5.5 | M10 | 18 |
| VX05-8165DA      |              |          | B          | 430      | 341 | 89  | 20  | 4  | 340           | 310 | 270 | 6   | 11                      | 160 | 130 | 110 | 4   | 10                | 14 | 5  | 17   | 30                  | 60  | 80  | 18 | 11 | 7   | M10 | 18 |
| VX05-8165DB      |              |          | B          | 430      | 341 | 89  | 20  | 4  | 340           | 310 | 270 | 6   | 11                      | 160 | 130 | 110 | 4   | 10                | 14 | 5  | 17   | 30                  | 60  | 80  | 18 | 11 | 7   | M10 | 18 |
| VX05-8175DA      |              |          | B          | 475      | 381 | 94  | 22  | 5  | 400           | 360 | 316 | 8   | 14                      | 160 | 130 | 110 | 4   | 10                | 14 | 5  | 17   | 30                  | 70  | 84  | 20 | 12 | 7.5 | M12 | 24 |
| VX05-8175DB      |              |          | B          | 475      | 381 | 94  | 22  | 5  | 400           | 360 | 316 | 8   | 14                      | 160 | 130 | 110 | 4   | 10                | 14 | 5  | 17   | 30                  | 70  | 84  | 20 | 12 | 7.5 | M12 | 24 |
| VX1-8125DB       |              |          | 1<br>(1/2) | 4<br>(6) | A   | 326 | 257 | 69 | 13            | 4   | 210 | 180 | 140                     | 6   | 11  | 200 | 165 | 130               | 5  | 12 | 19   | 6                   | 22  | 40  | 38 | 55 | 10  | 8   | 5  |
| VX1-8135DB       | A            | 377      |            |          | 301 | 76  | 15  | 4  | 260           | 230 | 200 | 6   | 11                      | 200 | 165 | 130 | 5   | 12                | 19 | 6  | 22   | 40                  | 50  | 61  | 14 | 9  | 5.5 | M10 | 18 |
| VX1-8135DC       | A            | 377      |            |          | 301 | 76  | 15  | 4  | 260           | 230 | 200 | 6   | 11                      | 200 | 165 | 130 | 5   | 12                | 19 | 6  | 22   | 40                  | 50  | 61  | 14 | 9  | 5.5 | M10 | 18 |
| VX1-8145DB       | A            | 397      |            |          | 301 | 96  | 15  | 4  | 260           | 230 | 200 | 6   | 11                      | 200 | 165 | 130 | 5   | 12                | 19 | 6  | 22   | 40                  | 50  | 81  | 14 | 9  | 5.5 | M10 | 18 |
| VX1-8145DC       | A            | 397      |            |          | 301 | 96  | 15  | 4  | 260           | 230 | 200 | 6   | 11                      | 200 | 165 | 130 | 5   | 12                | 19 | 6  | 22   | 40                  | 50  | 81  | 14 | 9  | 5.5 | M10 | 18 |
| VX1-8165DA       | B            | 447      |            |          | 358 | 89  | 20  | 4  | 340           | 310 | 270 | 6   | 11                      | 200 | 165 | 130 | 5   | 12                | 19 | 6  | 22   | 40                  | 60  | 80  | 18 | 11 | 7   | M10 | 18 |
| VX1-8165DB       | B            | 447      |            |          | 358 | 89  | 20  | 4  | 340           | 310 | 270 | 6   | 11                      | 200 | 165 | 130 | 5   | 12                | 19 | 6  | 22   | 40                  | 60  | 80  | 18 | 11 | 7   | M10 | 18 |
| VX1-8175DA       | B            | 492      |            |          | 398 | 94  | 22  | 5  | 400           | 360 | 316 | 8   | 14                      | 200 | 165 | 130 | 5   | 12                | 19 | 6  | 22   | 40                  | 70  | 84  | 20 | 12 | 7.5 | M12 | 24 |
| VX1-8175DB       | B            | 492      |            |          | 398 | 94  | 22  | 5  | 400           | 360 | 316 | 8   | 14                      | 200 | 165 | 130 | 5   | 12                | 19 | 6  | 22   | 40                  | 70  | 84  | 20 | 12 | 7.5 | M12 | 24 |
| VX1-8185DA       | B            | 534      |            |          | 424 | 110 | 22  | 5  | 430           | 390 | 345 | 8   | 18                      | 200 | 165 | 130 | 5   | 12                | 19 | 6  | 22   | 40                  | 80  | 100 | 22 | 14 | 9   | M12 | 24 |
| VX1-8185DB       | B            | 551      |            |          | 441 | 110 | 22  | 5  | 430           | 390 | 345 | 8   | 18                      | 200 | 165 | 130 | 5   | 12                | 24 | 8  | 27.5 | 50                  | 80  | 100 | 22 | 14 | 9   | M12 | 24 |
| VX1-8195DA       | B            | 613      |            |          | 468 | 145 | 30  | 6  | 490           | 450 | 400 | 12  | 18                      | 200 | 165 | 130 | 5   | 12                | 19 | 6  | 22   | 40                  | 95  | 125 | 25 | 14 | 9   | M20 | 34 |
| VX1-8205DA       | B            | 657      |            |          | 453 | 204 | 30  | 5  | 455           | 405 | 355 | 8   | 22                      | 200 | 165 | 130 | 5   | 12                | 19 | 6  | 22   | 40                  | 100 | 165 | 28 | 16 | 10  | M20 | 34 |

※ Dimensions in above drawings are subject to change without notice. 尺寸若有變動，將不另行通知。

# VX Double Stage Flange Mount Reducer with IEC/NEMA Adaptor 雙段法蘭型附入力法蘭

## Dimensions 外型尺寸表

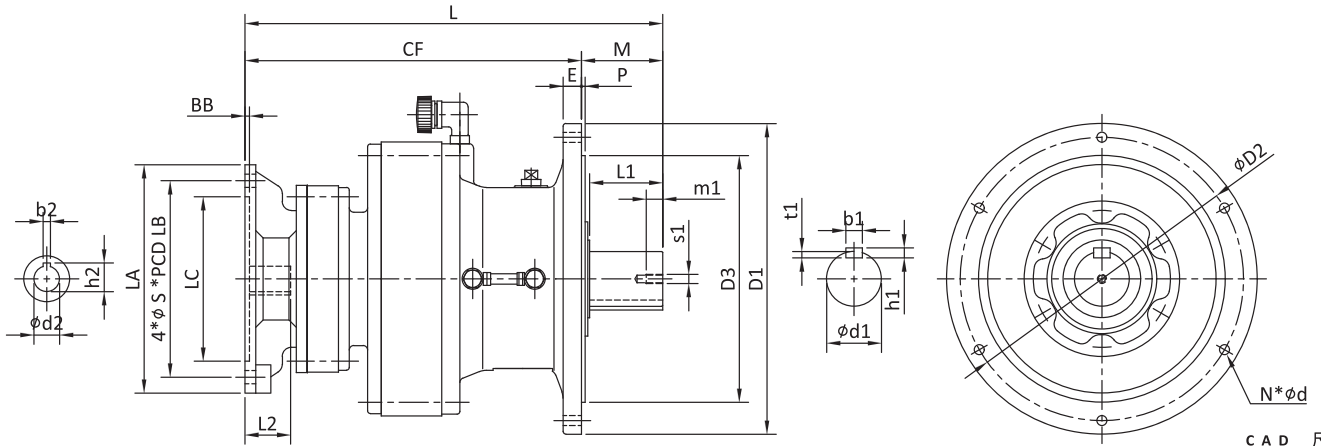


FIG.圖 B



| Frame Size<br>型號 | Motor<br>馬達 |     | Fig.<br>圖 | L   | CF  | M   | E   | P   | Flange<br>法蘭面 |     |     |     | IEC Motor Flange<br>馬達盤 |     |     |     |     | Input Bore<br>入力孔 |      |    |      | Output Shaft<br>出力軸 |    |      |     |     |     |     |     |    |     |    |
|------------------|-------------|-----|-----------|-----|-----|-----|-----|-----|---------------|-----|-----|-----|-------------------------|-----|-----|-----|-----|-------------------|------|----|------|---------------------|----|------|-----|-----|-----|-----|-----|----|-----|----|
|                  | Hp          | P   |           |     |     |     |     |     | D1            | D2  | D3  | N   | d                       | LA  | LB  | LC  | BB  | S                 | d2   | b2 | h2   | L2                  | d1 | L1   | b1  | h1  | t1  | s1  | m1  |    |     |    |
| VX2-8135DC       | 2           | 4   | A         | 377 | 301 | 76  | 15  | 4   | 260           | 230 | 200 | 6   | 11                      | 200 | 165 | 130 | 5   | 12                | 24   | 8  | 27.5 | 50                  | 50 | 61   | 14  | 9   | 5.5 | M10 | 18  |    |     |    |
| VX2-8145DC       |             |     |           | A   | 397 | 301 | 96  | 15  | 4             | 260 | 230 | 200 | 6                       | 11  | 200 | 165 | 130 | 5                 | 12   | 24 | 8    | 27.5                | 50 | 50   | 81  | 14  | 9   | 5.5 | M10 | 18 |     |    |
| VX2-8165DB       |             |     |           | B   | 477 | 358 | 89  | 20  | 4             | 340 | 310 | 270 | 6                       | 11  | 200 | 165 | 130 | 5                 | 12   | 24 | 8    | 27.5                | 50 | 60   | 80  | 18  | 11  | 7   | M10 | 18 |     |    |
| VX2-8165DC       |             |     |           | B   | 449 | 360 | 89  | 20  | 4             | 340 | 310 | 270 | 6                       | 11  | 200 | 165 | 130 | 5                 | 12   | 24 | 8    | 27.5                | 50 | 60   | 80  | 18  | 11  | 7   | M10 | 18 |     |    |
| VX2-8175DB       |             |     |           | B   | 492 | 398 | 94  | 22  | 5             | 400 | 360 | 316 | 8                       | 14  | 200 | 165 | 130 | 5                 | 12   | 24 | 8    | 27.5                | 50 | 70   | 84  | 20  | 12  | 7.5 | M12 | 24 |     |    |
| VX2-8175DC       |             |     |           | B   | 493 | 399 | 94  | 22  | 5             | 400 | 360 | 316 | 8                       | 14  | 200 | 165 | 130 | 5                 | 12   | 24 | 8    | 27.5                | 50 | 70   | 84  | 20  | 12  | 7.5 | M12 | 24 |     |    |
| VX2-8185DA       |             |     |           | (1) | (6) | B   | 534 | 424 | 110           | 22  | 5   | 430 | 390                     | 345 | 8   | 18  | 200 | 165               | 130  | 5  | 12   | 24                  | 8  | 27.5 | 50  | 80  | 100 | 22  | 14  | 9  | M12 | 24 |
| VX2-8185DB       |             |     |           | B   | 551 | 441 | 110 | 22  | 5             | 430 | 390 | 345 | 8                       | 18  | 200 | 165 | 130 | 5                 | 12   | 24 | 8    | 27.5                | 50 | 80   | 100 | 22  | 14  | 9   | M12 | 24 |     |    |
| VX2-8195DA       |             |     |           | B   | 613 | 468 | 145 | 30  | 6             | 490 | 450 | 400 | 12                      | 18  | 200 | 165 | 130 | 5                 | 12   | 24 | 8    | 27.5                | 50 | 95   | 125 | 25  | 14  | 9   | M20 | 34 |     |    |
| VX2-8205DA       |             |     |           | B   | 453 | 657 | 204 | 30  | 5             | 455 | 405 | 355 | 8                       | 22  | 200 | 165 | 130 | 5                 | 12   | 24 | 8    | 27.5                | 50 | 100  | 165 | 28  | 16  | 10  | M20 | 34 |     |    |
| VX2-8215DA       |             |     |           | B   | 705 | 502 | 203 | 35  | 7             | 490 | 440 | 390 | 8                       | 24  | 200 | 165 | 130 | 5                 | 12   | 24 | 8    | 27.5                | 50 | 110  | 165 | 28  | 16  | 10  | M20 | 34 |     |    |
| VX2-8225DA       |             |     |           | B   | 747 | 537 | 210 | 35  | 10            | 535 | 475 | 415 | 8                       | 27  | 200 | 165 | 130 | 5                 | 12   | 24 | 8    | 27.5                | 50 | 120  | 165 | 32  | 18  | 11  | M20 | 34 |     |    |
| VX3-8135DC       | 3           | 4   | A         | 389 | 313 | 76  | 15  | 4   | 260           | 230 | 200 | 6   | 11                      | 250 | 215 | 180 | 5   | 15                | 28   | 8  | 31.5 | 60                  | 50 | 61   | 14  | 9   | 5.5 | M10 | 18  |    |     |    |
| VX3-8145DC       |             |     |           | A   | 409 | 313 | 96  | 15  | 4             | 260 | 230 | 200 | 6                       | 11  | 250 | 215 | 180 | 5                 | 15   | 28 | 8    | 31.5                | 60 | 50   | 81  | 14  | 9   | 5.5 | M10 | 18 |     |    |
| VX3-8165DB       |             |     |           | B   | 459 | 370 | 89  | 20  | 4             | 340 | 310 | 270 | 6                       | 11  | 250 | 215 | 180 | 5                 | 15   | 28 | 8    | 31.5                | 60 | 60   | 80  | 18  | 11  | 7   | M10 | 18 |     |    |
| VX3-8165DC       |             |     |           | B   | 458 | 369 | 89  | 20  | 4             | 340 | 310 | 270 | 6                       | 11  | 250 | 215 | 180 | 5                 | 15   | 28 | 8    | 31.5                | 60 | 60   | 80  | 18  | 11  | 7   | M10 | 18 |     |    |
| VX3-8175DB       |             |     |           | B   | 503 | 409 | 94  | 22  | 5             | 400 | 360 | 316 | 8                       | 14  | 250 | 215 | 180 | 5                 | 15   | 28 | 8    | 31.5                | 60 | 70   | 84  | 20  | 12  | 7.5 | M12 | 24 |     |    |
| VX3-8175DC       |             |     |           | B   | 504 | 410 | 94  | 22  | 5             | 400 | 360 | 316 | 8                       | 14  | 250 | 215 | 180 | 5                 | 15   | 28 | 8    | 31.5                | 60 | 70   | 84  | 20  | 12  | 7.5 | M12 | 24 |     |    |
| VX3-8185DA       |             |     |           | B   | 545 | 435 | 110 | 22  | 5             | 430 | 390 | 345 | 8                       | 18  | 250 | 215 | 180 | 5                 | 15   | 28 | 8    | 31.5                | 60 | 80   | 100 | 22  | 14  | 9   | M12 | 24 |     |    |
| VX3-8185DB       |             |     |           | B   | 575 | 465 | 110 | 22  | 5             | 430 | 390 | 345 | 8                       | 18  | 250 | 215 | 180 | 5                 | 15   | 28 | 8    | 31.5                | 60 | 80   | 100 | 22  | 14  | 9   | M12 | 24 |     |    |
| VX3-8195DA       |             |     |           | (2) | (6) | B   | 624 | 479 | 145           | 30  | 6   | 490 | 450                     | 400 | 12  | 18  | 250 | 215               | 180  | 5  | 15   | 28                  | 8  | 31.5 | 60  | 95  | 125 | 25  | 14  | 9  | M20 | 34 |
| VX3-8195DB       |             |     |           | B   | 651 | 506 | 145 | 30  | 6             | 490 | 450 | 400 | 12                      | 18  | 250 | 215 | 180 | 5                 | 15   | 28 | 8    | 31.5                | 60 | 95   | 125 | 25  | 14  | 9   | M20 | 34 |     |    |
| VX3-8205DA       |             |     |           | B   | 667 | 463 | 204 | 30  | 5             | 455 | 405 | 355 | 8                       | 22  | 250 | 215 | 180 | 5                 | 15   | 28 | 8    | 31.5                | 60 | 100  | 165 | 28  | 16  | 10  | M20 | 34 |     |    |
| VX3-8205DB       |             |     |           | B   | 703 | 499 | 204 | 30  | 5             | 455 | 405 | 355 | 8                       | 22  | 250 | 215 | 180 | 5                 | 15   | 28 | 8    | 31.5                | 60 | 100  | 165 | 28  | 16  | 10  | M20 | 34 |     |    |
| VX3-8215DA       | B           | 729 | 526       | 203 | 35  | 7   | 490 | 440 | 390           | 8   | 24  | 250 | 215                     | 180 | 5   | 15  | 28  | 8                 | 31.5 | 60 | 110  | 165                 | 28 | 16   | 10  | M20 | 34  |     |     |    |     |    |
| VX3-8225DA       | B           | 771 | 561       | 210 | 35  | 10  | 535 | 475 | 415           | 8   | 27  | 250 | 215                     | 180 | 5   | 15  | 28  | 8                 | 31.5 | 60 | 120  | 165                 | 32 | 18   | 11  | M20 | 34  |     |     |    |     |    |
| VX3-8235DA       | B           | 841 | 591       | 250 | 40  | 10  | 570 | 510 | 450           | 8   | 27  | 250 | 215                     | 180 | 5   | 15  | 28  | 8                 | 31.5 | 60 | 130  | 200                 | 32 | 18   | 11  | M24 | 41  |     |     |    |     |    |
| VX3-8245DA       | B           | 878 | 628       | 250 | 40  | 10  | 635 | 560 | 485           | 8   | 33  | 250 | 215                     | 180 | 5   | 15  | 28  | 8                 | 31.5 | 60 | 140  | 200                 | 36 | 20   | 12  | M24 | 41  |     |     |    |     |    |

※ Dimensions in above drawings are subject to change without notice. 尺寸若有變動，將不另行通知。

**Dimensions 外型尺寸表**

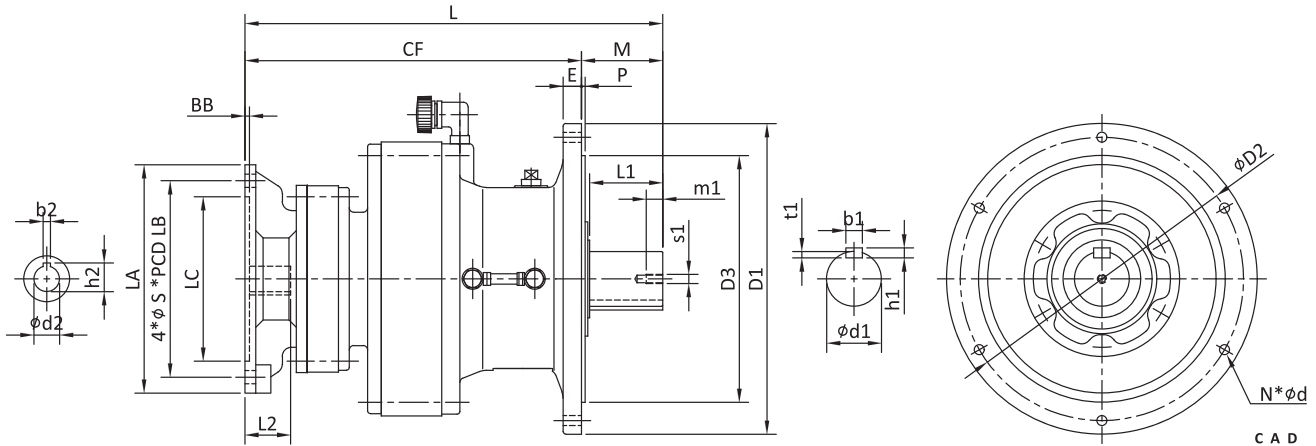


FIG.圖 B

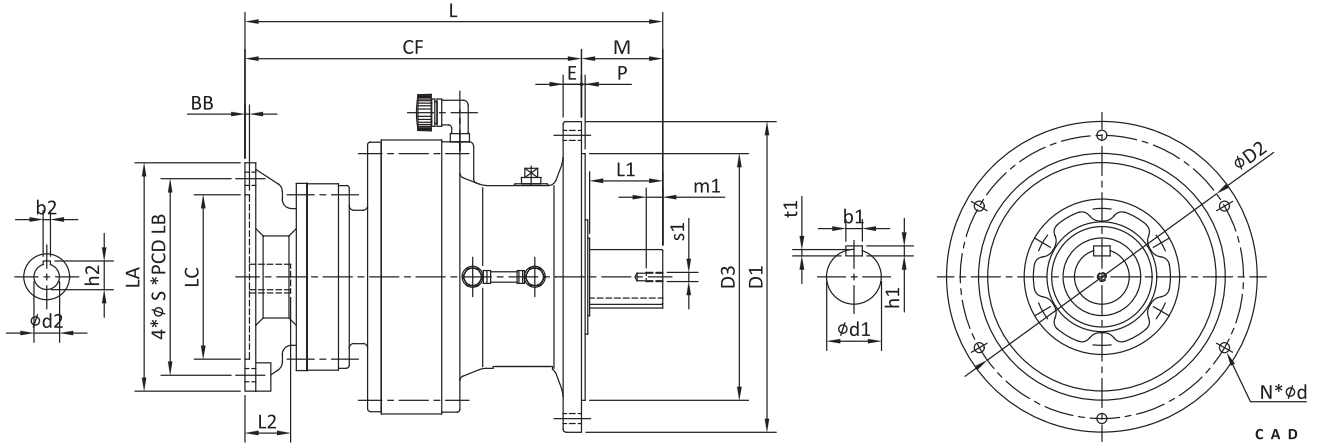


| Frame Size<br>型號 | Motor<br>馬達 |          | Fig.<br>圖 | L        | CF  | M   | E   | P   | Flange<br>法蘭面 |     |     |     |     | IEC Motor Flange<br>馬達盤 |     |     |     |     | Input Bore<br>入力孔 |    |      |     | Output Shaft<br>出力軸 |     |     |     |     |     |    |     |    |
|------------------|-------------|----------|-----------|----------|-----|-----|-----|-----|---------------|-----|-----|-----|-----|-------------------------|-----|-----|-----|-----|-------------------|----|------|-----|---------------------|-----|-----|-----|-----|-----|----|-----|----|
|                  | Hp          | P        |           |          |     |     |     |     | D1            | D2  | D3  | N   | d   | LA                      | LB  | LC  | BB  | S   | d2                | b2 | h2   | L2  | d1                  | L1  | b1  | h1  | t1  | s1  | m1 |     |    |
| VX5-8165DC       | 5<br>(3)    | 4<br>(6) | B         | 446      | 357 | 89  | 20  | 4   | 340           | 310 | 270 | 6   | 11  | 250                     | 215 | 180 | 5   | 15  | 28                | 8  | 31.5 | 60  | 60                  | 80  | 18  | 11  | 7   | M10 | 18 |     |    |
| VX5-8175DC       |             |          | B         | 504      | 410 | 94  | 22  | 5   | 400           | 360 | 316 | 8   | 14  | 250                     | 215 | 180 | 5   | 15  | 28                | 8  | 31.5 | 60  | 70                  | 84  | 20  | 12  | 7.5 | M12 | 24 |     |    |
| VX5-8185DB       |             |          | B         | 575      | 465 | 110 | 22  | 5   | 430           | 390 | 345 | 8   | 18  | 250                     | 215 | 180 | 5   | 15  | 28                | 8  | 31.5 | 60  | 80                  | 100 | 22  | 14  | 9   | M12 | 24 |     |    |
| VX5-8195DA       |             |          | B         | 624      | 479 | 145 | 30  | 6   | 490           | 450 | 400 | 12  | 18  | 250                     | 215 | 180 | 5   | 15  | 28                | 8  | 31.5 | 60  | 95                  | 125 | 25  | 14  | 9   | M20 | 34 |     |    |
| VX5-8195DB       |             |          | B         | 651      | 506 | 145 | 30  | 6   | 490           | 450 | 400 | 12  | 18  | 250                     | 215 | 180 | 5   | 15  | 28                | 8  | 31.5 | 60  | 95                  | 125 | 25  | 14  | 9   | M20 | 34 |     |    |
| VX5-8205DB       |             |          | B         | 703      | 499 | 204 | 30  | 5   | 455           | 405 | 355 | 8   | 22  | 250                     | 215 | 180 | 5   | 15  | 28                | 8  | 31.5 | 60  | 100                 | 165 | 28  | 16  | 10  | M20 | 34 |     |    |
| VX5-8215DA       |             |          | B         | 729      | 526 | 203 | 35  | 7   | 490           | 440 | 390 | 8   | 24  | 250                     | 215 | 180 | 5   | 15  | 28                | 8  | 31.5 | 60  | 110                 | 165 | 28  | 16  | 10  | M20 | 34 |     |    |
| VX5-8215DB       |             |          | B         | 737      | 534 | 203 | 35  | 7   | 490           | 440 | 390 | 8   | 24  | 250                     | 215 | 180 | 5   | 15  | 28                | 8  | 31.5 | 60  | 110                 | 165 | 28  | 16  | 10  | M20 | 34 |     |    |
| VX5-8225DA       |             |          | B         | 771      | 561 | 210 | 35  | 10  | 535           | 475 | 415 | 8   | 27  | 250                     | 215 | 180 | 5   | 15  | 28                | 8  | 31.5 | 60  | 120                 | 165 | 32  | 18  | 11  | M20 | 34 |     |    |
| VX5-8225DB       |             |          | B         | 808      | 598 | 210 | 35  | 10  | 535           | 475 | 415 | 8   | 27  | 250                     | 215 | 180 | 5   | 15  | 28                | 8  | 31.5 | 60  | 120                 | 165 | 32  | 18  | 11  | M20 | 34 |     |    |
| VX5-8235DA       |             |          | B         | 841      | 591 | 250 | 40  | 10  | 570           | 510 | 450 | 8   | 27  | 250                     | 215 | 180 | 5   | 15  | 28                | 8  | 31.5 | 60  | 130                 | 200 | 32  | 18  | 11  | M24 | 41 |     |    |
| VX5-8245DA       |             |          | B         | 878      | 628 | 250 | 40  | 10  | 635           | 560 | 485 | 8   | 33  | 250                     | 215 | 180 | 5   | 15  | 28                | 8  | 31.5 | 60  | 140                 | 200 | 36  | 20  | 12  | M24 | 41 |     |    |
| VX5-8255DA       |             |          | B         | 1029     | 734 | 295 | 45  | 10  | 685           | 610 | 535 | 8   | 33  | 250                     | 215 | 180 | 5   | 15  | 28                | 8  | 31.5 | 60  | 160                 | 240 | 40  | 22  | 13  | M30 | 49 |     |    |
| VX8-8185DB       |             |          | 7½<br>(5) | 4<br>(6) | B   | 586 | 476 | 110 | 22            | 5   | 430 | 390 | 345 | 8                       | 18  | 300 | 265 | 230 | 5                 | 15 | 38   | 10  | 41.5                | 80  | 80  | 100 | 22  | 14  | 9  | M12 | 24 |
| VX8-8195DB       |             |          |           |          | B   | 662 | 517 | 145 | 30            | 6   | 490 | 450 | 400 | 12                      | 18  | 300 | 265 | 230 | 5                 | 15 | 38   | 10  | 41.5                | 80  | 95  | 100 | 25  | 14  | 9  | M20 | 34 |
| VX8-8205DB       |             |          |           |          | B   | 714 | 510 | 204 | 30            | 5   | 455 | 405 | 355 | 8                       | 22  | 300 | 265 | 230 | 5                 | 15 | 38   | 10  | 41.5                | 80  | 100 | 165 | 28  | 16  | 10 | M20 | 34 |
| VX8-8215DA       | B           | 740      |           |          | 537 | 203 | 35  | 7   | 490           | 440 | 390 | 8   | 24  | 300                     | 265 | 230 | 5   | 15  | 38                | 10 | 41.5 | 80  | 110                 | 165 | 28  | 16  | 10  | M20 | 34 |     |    |
| VX8-8215DB       | B           | 757      |           |          | 554 | 203 | 35  | 7   | 490           | 440 | 390 | 8   | 24  | 300                     | 265 | 230 | 5   | 15  | 38                | 10 | 41.5 | 80  | 110                 | 165 | 28  | 16  | 10  | M20 | 34 |     |    |
| VX8-8225DA       | B           | 782      |           |          | 572 | 210 | 35  | 10  | 535           | 475 | 415 | 8   | 27  | 300                     | 265 | 230 | 5   | 15  | 38                | 10 | 41.5 | 80  | 120                 | 165 | 32  | 18  | 11  | M20 | 34 |     |    |
| VX8-8225DB       | B           | 831      |           |          | 621 | 210 | 35  | 10  | 535           | 475 | 415 | 8   | 27  | 300                     | 265 | 230 | 5   | 15  | 38                | 10 | 41.5 | 80  | 120                 | 165 | 32  | 18  | 11  | M20 | 34 |     |    |
| VX8-8235DA       | B           | 861      |           |          | 611 | 250 | 40  | 10  | 570           | 510 | 450 | 8   | 27  | 300                     | 265 | 230 | 5   | 15  | 38                | 10 | 41.5 | 80  | 130                 | 200 | 32  | 18  | 11  | M24 | 41 |     |    |
| VX8-8245DA       | B           | 898      |           |          | 648 | 250 | 40  | 10  | 635           | 560 | 485 | 8   | 33  | 300                     | 265 | 230 | 5   | 15  | 38                | 10 | 41.5 | 80  | 140                 | 200 | 36  | 20  | 12  | M24 | 41 |     |    |
| VX8-8255DA       | B           | 1052     |           |          | 757 | 295 | 45  | 10  | 685           | 610 | 535 | 8   | 33  | 300                     | 265 | 230 | 5   | 15  | 38                | 10 | 41.5 | 80  | 160                 | 240 | 40  | 22  | 13  | M30 | 49 |     |    |
| VX8-8265DA       | B           | 1213     | 853       | 360      | 50  | 10  | 750 | 660 | 570           | 8   | 39  | 300 | 265 | 230                     | 5   | 15  | 38  | 10  | 41.5              | 80 | 170  | 300 | 40                  | 22  | 13  | M30 | 49  |     |    |     |    |

※ Dimensions in above drawings are subject to change without notice. 尺寸若有變動，將不另行通知。

# VX Double Stage Flange Mount Reducer with IEC/NEMA Adaptor 雙段法蘭型附入力法蘭

## Dimensions 外型尺寸表



| Frame Size<br>型號 | Motor<br>馬達 |      | Fig.<br>圖 | L    | CF   | M    | E    | P   | Flange<br>法蘭面 |      |     |     |     | IEC Motor Flange<br>馬達盤 |     |     |     |      | Input Bore<br>入力孔 |     |      |     | Output Shaft<br>出力軸 |     |     |     |    |     |    |     |    |
|------------------|-------------|------|-----------|------|------|------|------|-----|---------------|------|-----|-----|-----|-------------------------|-----|-----|-----|------|-------------------|-----|------|-----|---------------------|-----|-----|-----|----|-----|----|-----|----|
|                  | Hp          | P    |           |      |      |      |      |     | D1            | D2   | D3  | N   | d   | LA                      | LB  | LC  | BB  | S    | d2                | b2  | h2   | L2  | d1                  | L1  | b1  | h1  | t1 | s1  | m1 |     |    |
| VX10-8185DB      | 10          | 4    | B         | 586  | 476  | 110  | 22   | 5   | 430           | 390  | 345 | 8   | 18  | 300                     | 265 | 230 | 5   | 15   | 38                | 10  | 41.5 | 80  | 80                  | 100 | 22  | 14  | 9  | M20 | 34 |     |    |
| VX10-8195DB      |             |      |           | 662  | 517  | 145  | 30   | 6   | 490           | 450  | 400 | 12  | 18  | 300                     | 265 | 230 | 5   | 15   | 38                | 10  | 41.5 | 80  | 95                  | 125 | 25  | 14  | 9  | M20 | 34 |     |    |
| VX10-8205DB      |             |      |           | 514  | 510  | 204  | 30   | 5   | 455           | 405  | 355 | 8   | 22  | 300                     | 265 | 230 | 5   | 15   | 38                | 10  | 41.5 | 80  | 100                 | 165 | 28  | 16  | 10 | M20 | 34 |     |    |
| VX10-8215DA      |             |      |           | 740  | 537  | 203  | 35   | 7   | 490           | 440  | 390 | 8   | 24  | 300                     | 265 | 230 | 5   | 15   | 38                | 10  | 41.5 | 80  | 110                 | 165 | 28  | 16  | 10 | M20 | 34 |     |    |
| VX10-8215DB      |             |      |           | 757  | 554  | 203  | 35   | 7   | 490           | 440  | 390 | 8   | 24  | 300                     | 265 | 230 | 5   | 15   | 38                | 10  | 41.5 | 80  | 110                 | 165 | 28  | 16  | 10 | M20 | 34 |     |    |
| VX10-8225DA      |             |      |           | 782  | 572  | 210  | 35   | 10  | 535           | 475  | 415 | 8   | 27  | 300                     | 265 | 230 | 5   | 15   | 38                | 10  | 41.5 | 80  | 120                 | 165 | 32  | 18  | 11 | M20 | 34 |     |    |
| VX10-8225DB      |             |      |           | (7½) | (6)  | 831  | 621  | 210 | 35            | 10   | 535 | 475 | 415 | 8                       | 27  | 300 | 265 | 230  | 5                 | 15  | 38   | 10  | 41.5                | 80  | 120 | 165 | 32 | 18  | 11 | M20 | 34 |
| VX10-8235DA      |             |      |           | 861  | 611  | 250  | 40   | 10  | 570           | 510  | 450 | 8   | 27  | 300                     | 265 | 230 | 5   | 15   | 38                | 10  | 41.5 | 80  | 130                 | 200 | 32  | 18  | 11 | M24 | 41 |     |    |
| VX10-8245DA      |             |      |           | 898  | 648  | 250  | 40   | 10  | 635           | 560  | 485 | 8   | 33  | 300                     | 265 | 230 | 5   | 15   | 38                | 10  | 41.5 | 80  | 140                 | 200 | 36  | 20  | 12 | M24 | 41 |     |    |
| VX10-8255DA      |             |      |           | 1052 | 757  | 295  | 45   | 10  | 685           | 610  | 535 | 8   | 33  | 300                     | 265 | 230 | 5   | 15   | 38                | 10  | 41.5 | 80  | 160                 | 240 | 40  | 22  | 13 | M30 | 49 |     |    |
| VX10-8265DA      | 1213        | 853  | 360       | 50   | 10   | 750  | 660  | 570 | 8             | 39   | 300 | 265 | 230 | 5                       | 15  | 38  | 10  | 41.5 | 80                | 170 | 300  | 40  | 22                  | 13  | M30 | 49  |    |     |    |     |    |
| VX10-8275DA      | 1473        | 1118 | 355       | 60   | 10   | 1160 | 1020 | 900 | 8             | 39   | 300 | 265 | 230 | 5                       | 15  | 38  | 10  | 41.5 | 80                | 180 | 320  | 45  | 25                  | 15  | M30 | 52  |    |     |    |     |    |
| VX15-8215DB      | 15          | 4    | B         | 793  | 590  | 203  | 35   | 7   | 490           | 440  | 390 | 8   | 24  | 350                     | 300 | 250 | 5   | 20   | 42                | 12  | 46   | 110 | 110                 | 165 | 28  | 16  | 10 | M20 | 34 |     |    |
| VX15-8225DB      |             |      |           | 859  | 649  | 210  | 35   | 10  | 535           | 475  | 415 | 8   | 27  | 350                     | 300 | 250 | 5   | 20   | 42                | 12  | 46   | 110 | 120                 | 165 | 32  | 18  | 11 | M20 | 34 |     |    |
| VX15-8235DA      |             |      |           | 897  | 647  | 250  | 40   | 10  | 570           | 510  | 450 | 8   | 27  | 350                     | 300 | 250 | 5   | 20   | 42                | 12  | 46   | 110 | 130                 | 200 | 32  | 18  | 11 | M24 | 41 |     |    |
| VX15-8235DB      |             |      |           | 925  | 675  | 250  | 40   | 10  | 570           | 510  | 450 | 8   | 27  | 350                     | 300 | 250 | 5   | 20   | 42                | 12  | 46   | 110 | 130                 | 200 | 32  | 18  | 11 | M24 | 41 |     |    |
| VX15-8245DA      |             |      |           | 934  | 684  | 250  | 40   | 10  | 635           | 560  | 485 | 8   | 33  | 350                     | 300 | 250 | 5   | 20   | 42                | 12  | 46   | 110 | 140                 | 200 | 36  | 20  | 12 | M24 | 41 |     |    |
| VX15-8245DB      |             |      |           | (10) | (6)  | 961  | 711  | 250 | 40            | 10   | 635 | 560 | 485 | 8                       | 33  | 350 | 300 | 250  | 5                 | 20  | 42   | 12  | 46                  | 110 | 140 | 200 | 36 | 20  | 12 | M24 | 41 |
| VX15-8255DA      |             |      |           | 1080 | 785  | 295  | 45   | 10  | 685           | 610  | 535 | 8   | 33  | 350                     | 300 | 250 | 5   | 20   | 42                | 12  | 46   | 110 | 160                 | 240 | 40  | 22  | 13 | M30 | 49 |     |    |
| VX15-8255DB      |             |      |           | 1103 | 808  | 295  | 45   | 10  | 685           | 610  | 535 | 8   | 33  | 350                     | 300 | 250 | 5   | 20   | 42                | 12  | 46   | 110 | 160                 | 240 | 40  | 22  | 13 | M30 | 49 |     |    |
| VX15-8265DA      |             |      |           | 1213 | 853  | 360  | 50   | 10  | 750           | 660  | 570 | 8   | 39  | 350                     | 300 | 250 | 5   | 20   | 42                | 12  | 46   | 110 | 170                 | 300 | 40  | 22  | 13 | M30 | 49 |     |    |
| VX15-8275DA      |             |      |           | 1473 | 1118 | 355  | 60   | 10  | 1160          | 1020 | 900 | 8   | 39  | 350                     | 300 | 250 | 5   | 20   | 42                | 12  | 46   | 110 | 180                 | 320 | 45  | 25  | 15 | M30 | 52 |     |    |
| VX20-8215DB      | 20          | 4    | B         | 793  | 590  | 203  | 35   | 7   | 490           | 440  | 390 | 8   | 24  | 350                     | 300 | 250 | 5   | 20   | 42                | 12  | 46   | 110 | 110                 | 165 | 28  | 16  | 10 | M20 | 34 |     |    |
| VX20-8225DB      |             |      |           | 859  | 649  | 210  | 35   | 10  | 535           | 475  | 415 | 8   | 27  | 350                     | 300 | 250 | 5   | 20   | 42                | 12  | 46   | 110 | 120                 | 165 | 32  | 18  | 11 | M20 | 34 |     |    |
| VX20-8235DA      |             |      |           | 897  | 647  | 250  | 40   | 10  | 570           | 510  | 450 | 8   | 27  | 350                     | 300 | 250 | 5   | 20   | 42                | 12  | 46   | 110 | 130                 | 200 | 32  | 18  | 11 | M24 | 41 |     |    |
| VX20-8235DB      |             |      |           | 925  | 675  | 250  | 40   | 10  | 570           | 510  | 450 | 8   | 27  | 350                     | 300 | 250 | 5   | 20   | 42                | 12  | 46   | 110 | 130                 | 200 | 32  | 18  | 11 | M24 | 41 |     |    |
| VX20-8245DA      |             |      |           | 934  | 684  | 250  | 40   | 10  | 635           | 560  | 485 | 8   | 33  | 350                     | 300 | 250 | 5   | 20   | 42                | 12  | 46   | 110 | 140                 | 200 | 36  | 20  | 12 | M24 | 41 |     |    |
| VX20-8245DB      |             |      |           | (15) | (6)  | 961  | 711  | 250 | 40            | 10   | 635 | 560 | 485 | 8                       | 33  | 350 | 300 | 250  | 5                 | 20  | 42   | 12  | 46                  | 110 | 140 | 200 | 36 | 20  | 12 | M24 | 41 |
| VX20-8255DA      |             |      |           | 1080 | 785  | 295  | 45   | 10  | 685           | 610  | 535 | 8   | 33  | 350                     | 300 | 250 | 5   | 20   | 42                | 12  | 46   | 110 | 160                 | 240 | 40  | 22  | 13 | M30 | 49 |     |    |
| VX20-8255DB      |             |      |           | 1103 | 808  | 295  | 45   | 10  | 685           | 610  | 535 | 8   | 33  | 350                     | 300 | 250 | 5   | 20   | 42                | 12  | 46   | 110 | 160                 | 240 | 40  | 22  | 13 | M30 | 49 |     |    |
| VX20-8265DA      |             |      |           | 1213 | 853  | 360  | 50   | 10  | 750           | 660  | 570 | 8   | 39  | 350                     | 300 | 250 | 5   | 20   | 42                | 12  | 46   | 110 | 170                 | 300 | 40  | 22  | 13 | M30 | 49 |     |    |
| VX20-8275DA      |             |      |           | 1473 | 1118 | 355  | 60   | 10  | 1160          | 1020 | 900 | 8   | 39  | 350                     | 300 | 250 | 5   | 20   | 42                | 12  | 46   | 110 | 180                 | 320 | 45  | 25  | 15 | M30 | 52 |     |    |

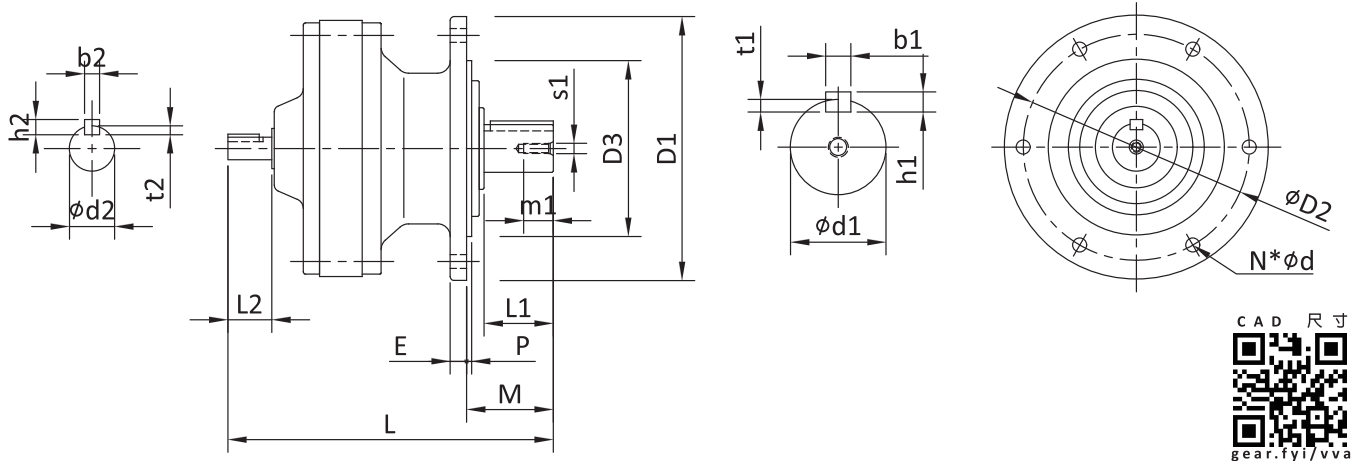
\* Larger model available, contact Varitron or your sales personal. 如需更大型號，請洽中國變速。

\* Dimensions in above drawings are subject to change without notice. 尺寸若有變動，將不另行通知。



# V Single Stage Flange Mount Reducer with Input Shaft 單段法蘭型附入力軸

## Dimensions 外型尺寸表



| Frame Size<br>型號 | L    | M   | E  | P  | Flange 法蘭面 |      |     |    |    | W(kg) |
|------------------|------|-----|----|----|------------|------|-----|----|----|-------|
|                  |      |     |    |    | D1         | D2   | D3  | N  | d  |       |
| V-8090           | 202  | 48  | 9  | 3  | 160        | 134  | 110 | 4  | 11 | 9     |
| V-8105           | 208  | 48  | 9  | 3  | 160        | 134  | 110 | 4  | 11 | 11    |
| V-8125           | 259  | 69  | 13 | 4  | 210        | 180  | 140 | 6  | 11 | 23    |
| V-8135           | 321  | 76  | 15 | 4  | 260        | 230  | 200 | 6  | 11 | 42    |
| V-8145           | 341  | 96  | 15 | 4  | 260        | 230  | 200 | 6  | 11 | 43    |
| V-8165           | 413  | 89  | 20 | 4  | 340        | 310  | 270 | 6  | 11 | 79    |
| V-8175           | 477  | 94  | 22 | 5  | 400        | 360  | 316 | 8  | 14 | 125   |
| V-8185           | 527  | 110 | 22 | 5  | 430        | 390  | 345 | 8  | 18 | 150   |
| V-8195           | 620  | 145 | 30 | 6  | 490        | 450  | 400 | 12 | 18 | 225   |
| V-8205           | 678  | 204 | 30 | 5  | 455        | 405  | 355 | 8  | 22 | 243   |
| V-8215           | 708  | 203 | 35 | 7  | 490        | 440  | 390 | 8  | 24 | 314   |
| V-8225           | 752  | 210 | 35 | 10 | 535        | 475  | 415 | 8  | 27 | 396   |
| V-8235           | 839  | 250 | 40 | 10 | 570        | 510  | 450 | 8  | 27 | 474   |
| V-8245           | 877  | 250 | 40 | 10 | 635        | 560  | 485 | 8  | 33 | 568   |
| V-8255           | 1040 | 295 | 45 | 10 | 685        | 610  | 535 | 8  | 33 | 865   |
| V-8265           | 1150 | 360 | 50 | 10 | 750        | 660  | 570 | 8  | 39 | 1125  |
| V-8275           | 1462 | 355 | 60 | 10 | 1160       | 1020 | 900 | 8  | 39 | 2610  |

| Frame Size<br>型號 | Output Shaft 出力軸 |     |    |    |     |     |    | Input Shaft 入力軸 |     |    |    |     |
|------------------|------------------|-----|----|----|-----|-----|----|-----------------|-----|----|----|-----|
|                  | d1               | L1  | b1 | h1 | t1  | S1  | m1 | d2              | L2  | b2 | h2 | t2  |
| V-8090           | 28               | 35  | 8  | 7  | 4   | M8  | 20 | 15              | 25  | 5  | 5  | 3   |
| V-8105           | 28               | 35  | 8  | 7  | 4   | M8  | 20 | 15              | 25  | 5  | 5  | 3   |
| V-8125           | 38               | 55  | 10 | 8  | 5   | M8  | 20 | 18              | 35  | 6  | 6  | 3.5 |
| V-8135           | 50               | 61  | 14 | 9  | 5.5 | M10 | 18 | 22              | 40  | 6  | 6  | 3.5 |
| V-8145           | 50               | 81  | 14 | 9  | 5.5 | M10 | 18 | 22              | 40  | 6  | 6  | 3.5 |
| V-8165           | 60               | 80  | 18 | 11 | 7   | M10 | 18 | 30              | 45  | 8  | 7  | 4   |
| V-8175           | 70               | 84  | 20 | 12 | 7.5 | M12 | 24 | 35              | 55  | 10 | 8  | 5   |
| V-8185           | 80               | 100 | 22 | 14 | 9   | M12 | 24 | 40              | 65  | 12 | 8  | 5   |
| V-8195           | 95               | 125 | 25 | 14 | 9   | M20 | 34 | 45              | 70  | 14 | 9  | 5.5 |
| V-8205           | 100              | 165 | 28 | 16 | 10  | M20 | 34 | 45              | 82  | 14 | 9  | 5.5 |
| V-8215           | 110              | 165 | 28 | 16 | 10  | M20 | 34 | 50              | 82  | 14 | 9  | 5.5 |
| V-8225           | 120              | 165 | 32 | 18 | 11  | M20 | 34 | 55              | 82  | 16 | 10 | 6   |
| V-8235           | 130              | 200 | 32 | 18 | 11  | M24 | 41 | 60              | 105 | 18 | 11 | 7   |
| V-8245           | 140              | 200 | 36 | 20 | 12  | M24 | 41 | 65              | 105 | 18 | 11 | 7   |
| V-8255           | 160              | 240 | 40 | 22 | 13  | M30 | 49 | 80              | 130 | 22 | 14 | 9   |
| V-8265           | 170              | 300 | 40 | 22 | 13  | M30 | 49 | 80              | 130 | 22 | 14 | 9   |
| V-8275           | 180              | 320 | 45 | 25 | 15  | M30 | 52 | 90              | 150 | 25 | 14 | 9   |

※ Dimensions in above drawings are subject to change without notice. 尺寸若有變動，將不另行通知。

## V Double Stage Flange Mount Reducer with Input Shaft 雙段法蘭型附入力軸

### Dimensions 外型尺寸表

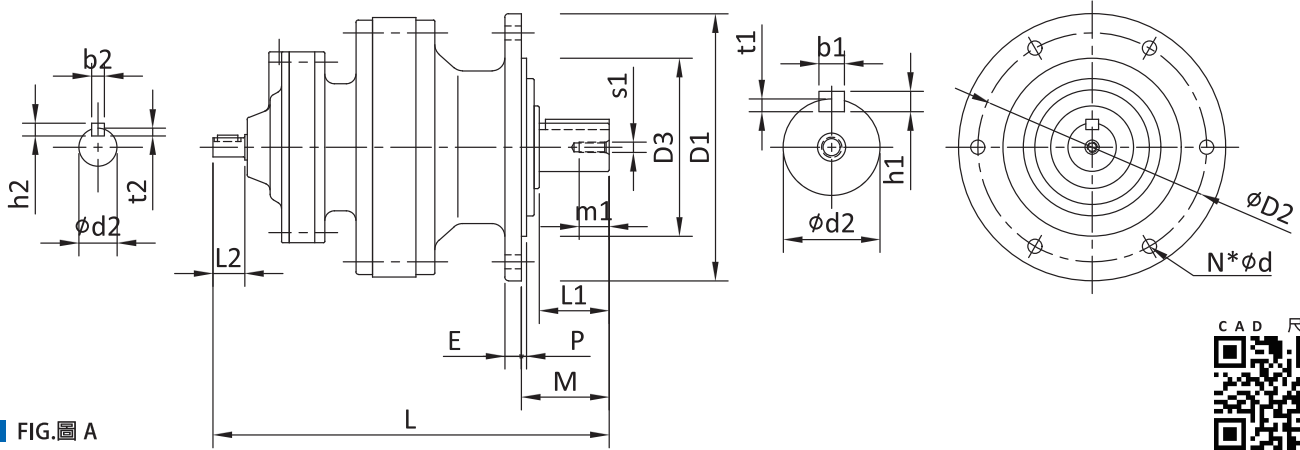


FIG.圖 A

| Frame Size<br>型號 | Fig. 圖 | L   | M  | E  | P | Flange 法蘭面 |     |     |   |    | W(kg) |
|------------------|--------|-----|----|----|---|------------|-----|-----|---|----|-------|
|                  |        |     |    |    |   | D1         | D2  | D3  | N | d  |       |
| V-8090DA         | A      | 243 | 48 | 9  | 3 | 160        | 134 | 110 | 4 | 11 | 11    |
| V-8105DA         | A      | 257 | 48 | 9  | 3 | 160        | 134 | 110 | 4 | 11 | 13    |
| V-8125DA         | A      | 293 | 69 | 13 | 4 | 210        | 180 | 140 | 6 | 11 | 25    |
| V-8125DB         | A      | 312 | 69 | 13 | 4 | 210        | 180 | 140 | 6 | 11 | 29    |
| V-8135DA         | A      | 347 | 76 | 15 | 4 | 260        | 230 | 200 | 6 | 11 | 40    |
| V-8135DB         | A      | 363 | 76 | 15 | 4 | 260        | 230 | 200 | 6 | 11 | 43    |
| V-8135DC         | A      | 369 | 76 | 15 | 4 | 260        | 230 | 200 | 6 | 11 | 44    |
| V-8145DA         | A      | 367 | 96 | 15 | 4 | 260        | 230 | 200 | 6 | 11 | 40    |
| V-8145DB         | A      | 383 | 96 | 15 | 4 | 260        | 230 | 200 | 6 | 11 | 43    |
| V-8145DC         | A      | 389 | 96 | 15 | 4 | 260        | 230 | 200 | 6 | 11 | 44    |
| V-8165DA         | B      | 433 | 89 | 20 | 4 | 340        | 310 | 270 | 6 | 11 | 80    |
| V-8165DB         | B      | 439 | 89 | 20 | 4 | 340        | 310 | 270 | 6 | 11 | 82    |
| V-8165DC         | B      | 462 | 89 | 20 | 4 | 340        | 310 | 270 | 6 | 11 | 90    |
| V-8175DA         | B      | 478 | 94 | 22 | 5 | 400        | 360 | 316 | 8 | 14 | 115   |
| V-8175DB         | B      | 484 | 94 | 22 | 5 | 400        | 360 | 316 | 8 | 14 | 117   |
| V-8175DC         | B      | 509 | 94 | 22 | 5 | 400        | 360 | 316 | 8 | 14 | 125   |

| Frame Size<br>型號 | Output Shaft 出力軸 |    |    |    |     |     |    | Input Shaft 入力軸 |    |    |    |     |
|------------------|------------------|----|----|----|-----|-----|----|-----------------|----|----|----|-----|
|                  | d1               | L1 | b1 | h1 | t1  | S1  | m1 | d2              | L2 | b2 | h2 | t2  |
| V-8090DA         | 28               | 35 | 8  | 7  | 4   | M8  | 20 | 12              | 25 | 4  | 4  | 2.5 |
| V-8105DA         | 28               | 35 | 8  | 7  | 4   | M8  | 20 | 12              | 25 | 4  | 4  | 2.5 |
| V-8125DA         | 38               | 55 | 10 | 8  | 5   | M8  | 20 | 12              | 25 | 4  | 4  | 2.5 |
| V-8125DB         | 38               | 55 | 10 | 8  | 5   | M8  | 20 | 15              | 25 | 5  | 5  | 3   |
| V-8135DA         | 50               | 61 | 14 | 9  | 5.5 | M10 | 18 | 12              | 25 | 4  | 4  | 2.5 |
| V-8135DB         | 50               | 61 | 14 | 9  | 5.5 | M10 | 18 | 15              | 25 | 5  | 5  | 3   |
| V-8135DC         | 50               | 61 | 14 | 9  | 5.5 | M10 | 18 | 15              | 25 | 5  | 5  | 3   |
| V-8145DA         | 50               | 81 | 14 | 9  | 5.5 | M10 | 18 | 12              | 25 | 4  | 4  | 2.5 |
| V-8145DB         | 50               | 81 | 14 | 9  | 5.5 | M10 | 18 | 15              | 25 | 5  | 5  | 3   |
| V-8145DC         | 50               | 81 | 14 | 9  | 5.5 | M10 | 18 | 15              | 25 | 5  | 5  | 3   |
| V-8165DA         | 60               | 80 | 18 | 11 | 7   | M10 | 18 | 15              | 25 | 5  | 5  | 3   |
| V-8165DB         | 60               | 80 | 18 | 11 | 7   | M10 | 18 | 15              | 25 | 5  | 5  | 3   |
| V-8165DC         | 60               | 80 | 18 | 11 | 7   | M10 | 18 | 18              | 35 | 6  | 6  | 3.5 |
| V-8175DA         | 70               | 84 | 20 | 12 | 7.5 | M12 | 24 | 15              | 25 | 5  | 5  | 3   |
| V-8175DB         | 70               | 84 | 20 | 12 | 7.5 | M12 | 24 | 15              | 25 | 5  | 5  | 3   |
| V-8175DC         | 70               | 84 | 20 | 12 | 7.5 | M12 | 24 | 18              | 35 | 6  | 6  | 3.5 |

※ Dimensions in above drawings are subject to change without notice. 尺寸若有變動，將不另行通知。

# V Double Stage Flange Mount Reducer with Input Shaft 雙段法蘭型附入力軸

## Dimensions 外型尺寸表

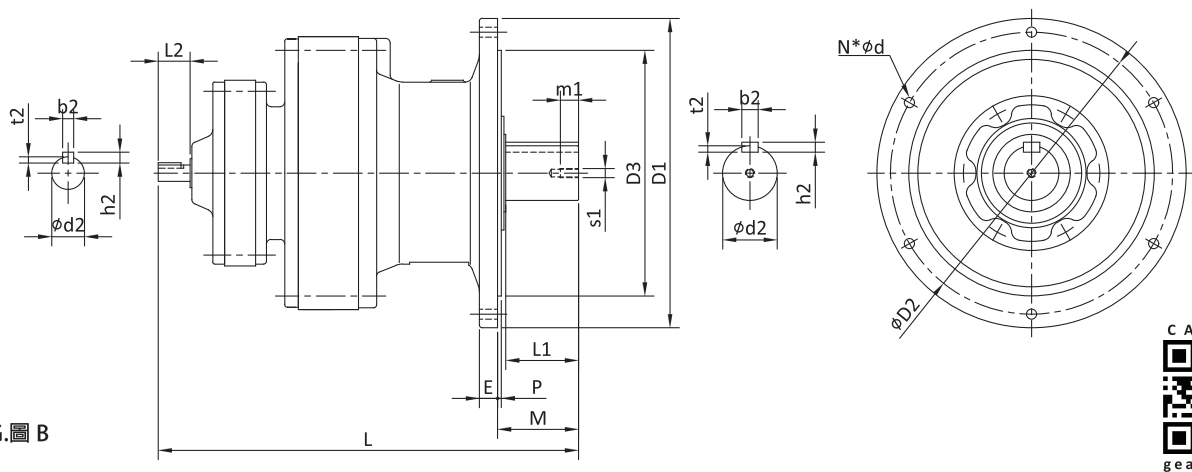


FIG.圖 B

| Frame Size<br>型號 | Fig. 圖 | L    | M   | E  | P  | Flange 法蘭面 |      |     |    |    | W(kg) |
|------------------|--------|------|-----|----|----|------------|------|-----|----|----|-------|
|                  |        |      |     |    |    | D1         | D2   | D3  | N  | d  |       |
| V-8185DA         | B      | 526  | 110 | 22 | 5  | 430        | 390  | 345 | 8  | 18 | 149   |
| V-8185DB         | B      | 577  | 110 | 22 | 5  | 430        | 390  | 345 | 8  | 18 | 171   |
| V-8195DA         | B      | 629  | 145 | 30 | 6  | 490        | 450  | 400 | 12 | 18 | 229   |
| V-8195DB         | B      | 653  | 145 | 30 | 6  | 490        | 450  | 400 | 12 | 18 | 240   |
| V-8205DA         | B      | 670  | 204 | 30 | 5  | 455        | 405  | 355 | 8  | 22 | 246   |
| V-8205DB         | B      | 705  | 204 | 30 | 5  | 455        | 405  | 355 | 8  | 22 | 258   |
| V-8215DA         | B      | 731  | 203 | 35 | 7  | 490        | 440  | 390 | 8  | 24 | 333   |
| V-8215DB         | B      | 780  | 203 | 35 | 7  | 490        | 440  | 390 | 8  | 24 | 355   |
| V-8225DA         | B      | 773  | 210 | 35 | 10 | 535        | 475  | 415 | 8  | 27 | 408   |
| V-8225DB         | B      | 860  | 210 | 35 | 10 | 535        | 475  | 415 | 8  | 27 | 455   |
| V-8235DA         | B      | 883  | 250 | 40 | 10 | 570        | 510  | 450 | 8  | 27 | 510   |
| V-8235DB         | B      | 938  | 250 | 40 | 10 | 570        | 510  | 450 | 8  | 27 | 544   |
| V-8245DA         | B      | 921  | 250 | 40 | 10 | 635        | 560  | 485 | 8  | 33 | 604   |
| V-8245DB         | B      | 975  | 250 | 40 | 10 | 635        | 560  | 485 | 8  | 33 | 633   |
| V-8255DA         | B      | 1081 | 295 | 45 | 10 | 685        | 610  | 535 | 8  | 33 | 925   |
| V-8255DB         | B      | 1133 | 295 | 45 | 10 | 685        | 610  | 535 | 8  | 33 | 993   |
| V-8265DA         | B      | 1243 | 360 | 50 | 10 | 750        | 660  | 570 | 8  | 39 | 1265  |
| V-8275DA         | B      | 1504 | 355 | 60 | 10 | 1160       | 1020 | 900 | 8  | 39 | 2660  |

| Frame Size<br>型號 | Output Shaft 出力軸 |     |    |    |    |     |    | Input Shaft 入力軸 |    |    |    |     |
|------------------|------------------|-----|----|----|----|-----|----|-----------------|----|----|----|-----|
|                  | d1               | L1  | b1 | h1 | t1 | S1  | m1 | d2              | L2 | b2 | h2 | t2  |
| V-8185DA         | 80               | 100 | 22 | 14 | 9  | M12 | 24 | 15              | 25 | 5  | 5  | 3   |
| V-8185DB         | 80               | 100 | 22 | 14 | 9  | M12 | 24 | 22              | 40 | 6  | 6  | 3.5 |
| V-8195DA         | 95               | 125 | 25 | 14 | 9  | M20 | 34 | 18              | 35 | 6  | 6  | 3.5 |
| V-8195DB         | 95               | 125 | 25 | 14 | 9  | M20 | 34 | 22              | 40 | 6  | 6  | 3.5 |
| V-8205DA         | 100              | 165 | 28 | 16 | 10 | M20 | 34 | 18              | 35 | 6  | 6  | 3.5 |
| V-8205DB         | 100              | 165 | 28 | 16 | 10 | M20 | 34 | 22              | 40 | 6  | 6  | 3.5 |
| V-8215DA         | 110              | 165 | 28 | 16 | 10 | M20 | 34 | 22              | 40 | 6  | 6  | 3.5 |
| V-8215DB         | 110              | 165 | 28 | 16 | 10 | M20 | 34 | 30              | 45 | 8  | 7  | 4   |
| V-8225DA         | 120              | 165 | 32 | 18 | 11 | M20 | 34 | 22              | 40 | 6  | 6  | 3.5 |
| V-8225DB         | 120              | 165 | 32 | 18 | 11 | M20 | 34 | 35              | 55 | 10 | 8  | 5   |
| V-8235DA         | 130              | 200 | 32 | 18 | 11 | M24 | 41 | 30              | 45 | 8  | 7  | 4   |
| V-8235DB         | 130              | 200 | 32 | 18 | 11 | M24 | 41 | 40              | 65 | 12 | 8  | 5   |
| V-8245DA         | 140              | 200 | 36 | 20 | 12 | M24 | 41 | 30              | 45 | 8  | 7  | 4   |
| V-8245DB         | 140              | 200 | 36 | 20 | 12 | M24 | 41 | 40              | 65 | 12 | 8  | 5   |
| V-8255DA         | 160              | 240 | 40 | 22 | 13 | M30 | 49 | 35              | 55 | 10 | 8  | 5   |
| V-8255DB         | 160              | 240 | 40 | 22 | 13 | M30 | 49 | 45              | 70 | 14 | 9  | 5.5 |
| V-8265DA         | 170              | 300 | 40 | 22 | 13 | M30 | 49 | 45              | 70 | 14 | 9  | 5.5 |
| V-8275DA         | 180              | 320 | 45 | 25 | 15 | M30 | 52 | 45              | 70 | 14 | 9  | 5.5 |

※ Dimensions in above drawings are subject to change without notice. 尺寸若有變動，將不另行通知。

## Allowable Radial and Axial Load 容許徑向與軸向負載

When a gear, pulley or sprocket is coupled to the slow speed shaft (output shaft), make sure the applied overhung load is within the allowable range for the radial and axial load.

當出力軸（低速軸）聯結齒輪、滑輪或鏈輪時，請確認負載在容許徑向、及軸向負載的範圍內。

### 1.Radial Load 徑向負載 Pr

$$\text{Radial Load } Pr = \frac{T\ell}{R} \leq \frac{Pro}{Lf \times Cf \times Fs}$$

### 2. Axial Load 徑向負載 Pa

$$Pa \leq \frac{Pro}{Cf \cdot Fs} \text{ (kgf)}$$

### 3.When radial and axial load Co-exist 當徑向、軸向負載同時存在

$$\left(\frac{Pr \times Lf}{Pro} + \frac{Pa}{Pa0}\right) \times Cf \times Fs \leq 1$$

Pr: Actual radial load 實際徑向負載 (N, kgf)

Tℓ: Actual transmitted torque on slow speed shaft  
減速機低速軸實際傳達轉矩(N.m, kgf.m)

R: Pitch radius of sprocket, gear or pulley

Pro: Allowable radial load 容許徑向負載  
(refer to selection table from page 82.  
請參考自第 82 頁表格)

Lf: Load location factor 負載位置係數

Cf: Coupling factor 聯結係數

Fs: Shock factor 衝擊負載係數

#### Coupling Factor 聯結係數 Cf

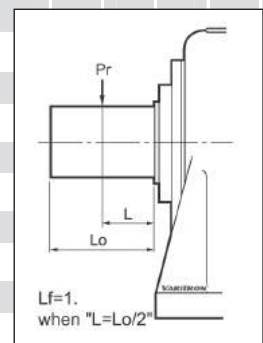
| Coupling Method<br>聯結方法 | Cf   |
|-------------------------|------|
| Chain 鏈條                | 1    |
| Gears 齒輪                | 1.25 |
| V-Belt V 型皮帶            | 1.5  |

#### Shock Factor 衝擊負載係數 Fs

| Degree of shock<br>衝擊負載程度       | Fs      |
|---------------------------------|---------|
| Practically no shock<br>實際無衝擊負載 | 1       |
| Light shock<br>有輕微衝擊負載          | 1~1.2   |
| Severe shock<br>有嚴重衝擊負載         | 1.4~1.6 |

## Radial Load Loading Factor (Output shaft) 徑向負載位置係數(低速軸) Lf

| Frame Size<br>型號 | Load Location L mm |      |      |      |      |      |      |      |      |      |      |      |      |      |      |      |      |      |      |      |      |      |      |     |   |   |  |  |
|------------------|--------------------|------|------|------|------|------|------|------|------|------|------|------|------|------|------|------|------|------|------|------|------|------|------|-----|---|---|--|--|
|                  | ~5                 | 10   | 15   | 20   | 25   | 30   | 35   | 40   | 45   | 50   | 60   | 70   | 80   | 90   | 100  | 120  | 140  | 160  | 180  | 200  | 225  | 250  | 275  | 300 |   |   |  |  |
| 8070             | 0.82               | 0.91 | 1.00 | 1.29 | 1.59 | 1.88 | -    | -    | -    | -    | -    | -    | -    | -    | -    | -    | -    | -    | -    | -    | -    | -    | -    | -   | - | - |  |  |
| 8080             | 0.81               | 0.87 | 0.94 | 1.03 | 1.28 | 1.54 | 1.80 | -    | -    | -    | -    | -    | -    | -    | -    | -    | -    | -    | -    | -    | -    | -    | -    | -   | - | - |  |  |
| 8090             | 0.86               | 0.92 | 0.97 | 1.13 | 1.38 | 1.64 | 1.90 | -    | -    | -    | -    | -    | -    | -    | -    | -    | -    | -    | -    | -    | -    | -    | -    | -   | - | - |  |  |
| 8105             | 0.86               | 0.92 | 0.97 | 1.13 | 1.38 | 1.64 | 1.90 | -    | -    | -    | -    | -    | -    | -    | -    | -    | -    | -    | -    | -    | -    | -    | -    | -   | - | - |  |  |
| 8125             | -                  | 0.82 | 0.87 | 0.92 | 0.97 | 1.08 | 1.25 | 1.42 | 1.59 | 1.76 | -    | -    | -    | -    | -    | -    | -    | -    | -    | -    | -    | -    | -    | -   | - | - |  |  |
| 8135             | -                  | -    | 0.83 | 0.87 | 0.92 | 0.96 | 1.00 | 1.13 | 1.25 | 1.38 | 1.63 | 1.88 | -    | -    | -    | -    | -    | -    | -    | -    | -    | -    | -    | -   | - | - |  |  |
| 8145             | -                  | -    | -    | 0.66 | 0.73 | 0.80 | 0.87 | 0.93 | 1.00 | 1.10 | 1.30 | 1.50 | 1.70 | 1.90 | -    | -    | -    | -    | -    | -    | -    | -    | -    | -   | - | - |  |  |
| 8165             | -                  | -    | -    | 0.83 | 0.87 | 0.90 | 0.93 | 0.97 | 1.00 | 1.11 | 1.32 | 1.53 | 1.75 | 1.96 | -    | -    | -    | -    | -    | -    | -    | -    | -    | -   | - | - |  |  |
| 8175             | -                  | -    | -    | 0.86 | 0.89 | 0.92 | 0.94 | 0.97 | 1.00 | 1.11 | 1.32 | 1.53 | 1.75 | 1.96 | -    | -    | -    | -    | -    | -    | -    | -    | -    | -   | - | - |  |  |
| 8185             | -                  | -    | -    | -    | 0.85 | 0.87 | 0.90 | 0.93 | 0.95 | 0.98 | 1.09 | 1.26 | 1.43 | 1.60 | 1.78 | -    | -    | -    | -    | -    | -    | -    | -    | -   | - | - |  |  |
| 8195             | -                  | -    | -    | -    | -    | 0.85 | 0.87 | 0.89 | 0.91 | 0.93 | 0.97 | 1.04 | 1.18 | 1.32 | 1.46 | 1.75 | -    | -    | -    | -    | -    | -    | -    | -   | - | - |  |  |
| 8205             | -                  | -    | -    | -    | -    | -    | -    | 0.70 | 0.74 | 0.77 | 0.84 | 0.91 | 0.98 | 1.05 | 1.12 | 1.26 | 1.40 | 1.54 | -    | -    | -    | -    | -    | -   | - | - |  |  |
| 8215             | -                  | -    | -    | -    | -    | -    | -    | 0.70 | 0.73 | 0.77 | 0.84 | 0.91 | 0.98 | 1.05 | 1.13 | 1.27 | 1.41 | 1.56 | -    | -    | -    | -    | -    | -   | - | - |  |  |
| 8225             | -                  | -    | -    | -    | -    | -    | -    | 0.86 | 0.88 | 0.90 | 0.93 | 0.96 | 0.99 | 1.02 | 1.06 | 1.12 | 1.19 | 1.25 | -    | -    | -    | -    | -    | -   | - | - |  |  |
| 8235             | -                  | -    | -    | -    | -    | -    | -    | 0.82 | 0.84 | 0.85 | 0.88 | 0.91 | 0.94 | 0.97 | 1.00 | 1.06 | 1.12 | 1.18 | 1.24 | 1.30 | -    | -    | -    | -   | - | - |  |  |
| 8245             | -                  | -    | -    | -    | -    | -    | -    | 0.83 | 0.84 | 0.86 | 0.89 | 0.92 | 0.94 | 0.97 | 1.00 | 1.06 | 1.11 | 1.17 | 1.23 | 1.29 | -    | -    | -    | -   | - | - |  |  |
| 8255             | -                  | -    | -    | -    | -    | -    | -    | -    | 0.83 | 0.85 | 0.88 | 0.90 | 0.93 | 0.95 | 1.00 | 1.05 | 1.10 | 1.22 | 1.36 | 1.52 | 1.69 | -    | -    | -   | - | - |  |  |
| 8265             | -                  | -    | -    | -    | -    | -    | -    | -    | -    | 0.83 | 0.85 | 0.88 | 0.90 | 0.94 | 0.98 | 1.04 | 1.17 | 1.29 | 1.45 | 1.61 | 1.77 | 1.93 | -    | -   | - | - |  |  |
| 8275             | -                  | -    | -    | -    | -    | -    | -    | -    | -    | -    | -    | 0.67 | 0.71 | 0.75 | 0.82 | 0.90 | 0.98 | 1.09 | 1.21 | 1.35 | 1.50 | 1.65 | 1.79 | -   | - | - |  |  |



※ For double reduction, radial load loading factor applied for the output side. 對於雙段減速機，徑向負載位置係數應用於低速出力軸。



## Axial Load Capacity (Output Shaft) Pao 出力軸容許懸垂負荷數值 Pao

Upper row 上排: N, Lower row 下排: kgf (Cf,Lf,Fs=1)

| Frame Size 型號 | Output speed 出力軸轉速 r/min |       |       |       |       |       |       |       |       |       |       |       |       |       |      |      |
|---------------|--------------------------|-------|-------|-------|-------|-------|-------|-------|-------|-------|-------|-------|-------|-------|------|------|
|               | ~10                      | 15    | 20    | 25    | 30    | 35    | 40    | 50    | 60    | 80    | 100   | 125   | 150   | 200   | 250  | 300  |
| 8070          | 785                      | 785   | 785   | 785   | 785   | 785   | 785   | 785   | 785   | 785   | 785   | 785   | 785   | 785   | 785  | 785  |
|               | 80                       | 80    | 80    | 80    | 80    | 80    | 80    | 80    | 80    | 80    | 80    | 80    | 80    | 80    | 80   | 80   |
| 8080          | 981                      | 981   | 981   | 981   | 981   | 981   | 981   | 981   | 981   | 981   | 981   | 981   | 981   | 981   | 981  | 981  |
|               | 100                      | 100   | 100   | 100   | 100   | 100   | 100   | 100   | 100   | 100   | 100   | 100   | 100   | 100   | 100  | 100  |
| 8090          | 981                      | 981   | 981   | 981   | 981   | 981   | 981   | 981   | 981   | 981   | 981   | 981   | 981   | 981   | 981  | 981  |
|               | 100                      | 100   | 100   | 100   | 100   | 100   | 100   | 100   | 100   | 100   | 100   | 100   | 100   | 100   | 100  | 100  |
| 8105          | 1470                     | 1470  | 1470  | 1470  | 1470  | 1470  | 1470  | 1470  | 1470  | 1470  | 1470  | 1470  | 1470  | 1470  | 1470 | 1470 |
|               | 150                      | 150   | 150   | 150   | 150   | 150   | 150   | 150   | 150   | 150   | 150   | 150   | 150   | 150   | 150  | 150  |
| 8125          | 2940                     | 2940  | 2940  | 2940  | 2940  | 2940  | 2940  | 2940  | 2940  | 2940  | 2940  | 2940  | 2940  | 2770  | 2500 | 2390 |
|               | 300                      | 300   | 300   | 300   | 300   | 300   | 300   | 300   | 300   | 300   | 300   | 300   | 300   | 282   | 255  | 244  |
| 8135          | 3920                     | 3920  | 3920  | 3920  | 3920  | 3920  | 3920  | 3920  | 3920  | 3920  | 3920  | 3920  | 3920  | 3920  | 3920 | 3920 |
|               | 400                      | 400   | 400   | 400   | 400   | 400   | 400   | 400   | 400   | 400   | 400   | 400   | 400   | 400   | 400  | 400  |
| 8145          | 5400                     | 5400  | 5400  | 5400  | 5400  | 5400  | 5400  | 5400  | 5400  | 5230  | 4860  | 4560  | 4370  | 3850  | 3670 | 3450 |
|               | 550                      | 550   | 550   | 550   | 550   | 550   | 550   | 550   | 550   | 533   | 495   | 465   | 445   | 392   | 374  | 352  |
| 8165          | 6870                     | 6870  | 6870  | 6870  | 6870  | 6870  | 6870  | 6870  | 6870  | 6870  | 6870  | 6870  | 6870  | 6300  | 5700 | -    |
|               | 700                      | 700   | 700   | 700   | 700   | 700   | 700   | 700   | 700   | 700   | 700   | 700   | 700   | 642   | 581  | -    |
| 8175          | 9810                     | 9810  | 9810  | 9810  | 9810  | 9810  | 9810  | 9810  | 9810  | 9810  | 9810  | 9680  | 9020  | 8090  | 7330 | 6880 |
|               | 1000                     | 1000  | 1000  | 1000  | 1000  | 1000  | 1000  | 1000  | 1000  | 1000  | 1000  | 987   | 919   | 825   | 747  | 701  |
| 8185          | 13700                    | 13700 | 13700 | 13700 | 13700 | 13700 | 13700 | 13700 | 13700 | 13700 | 13700 | 13100 | 12500 | 11000 | -    | -    |
|               | 1400                     | 1400  | 1400  | 1400  | 1400  | 1400  | 1400  | 1400  | 1400  | 1400  | 1400  | 1340  | 1270  | 1120  | -    | -    |
| 8195          | 19600                    | 19600 | 19600 | 19600 | 19600 | 19600 | 19600 | 19600 | 19600 | 19600 | 19600 | 18500 | 17500 | 15400 | -    | -    |
|               | 2000                     | 2000  | 2000  | 2000  | 2000  | 2000  | 2000  | 2000  | 2000  | 2000  | 2000  | 1890  | 1780  | 1570  | -    | -    |
| 8205          | 26500                    | 23500 | 21100 | 19600 | 18600 | 18100 | 17700 | 16700 | 15700 | 14200 | 13200 | 12800 | 12300 | 11300 | -    | -    |
|               | 2700                     | 2400  | 2150  | 2000  | 1900  | 1850  | 1800  | 1700  | 1600  | 1450  | 1350  | 1300  | 1250  | 1150  | -    | -    |
| 8215          | 27500                    | 24500 | 22100 | 20600 | 19600 | 18600 | 18100 | 17200 | 16200 | 14700 | 13700 | 13200 | 12800 | 11800 | -    | -    |
|               | 2800                     | 2500  | 2250  | 2100  | 2000  | 1900  | 1850  | 1750  | 1650  | 1500  | 1400  | 1350  | 1300  | 1200  | -    | -    |
| 8225          | 29400                    | 25600 | 23200 | 21700 | 20600 | 19600 | 18700 | 17600 | 16700 | 15300 | 14400 | 13600 | 13100 | 12100 | -    | -    |
|               | 3000                     | 2610  | 2360  | 2210  | 2100  | 2000  | 1910  | 1790  | 1700  | 1560  | 1470  | 1390  | 1340  | 1230  | -    | -    |
| 8235          | 35300                    | 31400 | 28400 | 26500 | 25000 | 23500 | 22600 | 21100 | 20100 | 18600 | 17700 | 16700 | -     | -     | -    | -    |
|               | 3600                     | 3200  | 2900  | 2700  | 2550  | 2400  | 2300  | 2150  | 2050  | 1900  | 1800  | 1700  | -     | -     | -    | -    |
| 8245          | 37300                    | 33800 | 30900 | 28800 | 27300 | 26100 | 25100 | 23500 | 22300 | 2100  | 19900 | 19100 | -     | -     | -    | -    |
|               | 3800                     | 3450  | 3150  | 2940  | 2780  | 2660  | 2560  | 2400  | 2270  | 2140  | 2030  | 1950  | -     | -     | -    | -    |
| 8255          | 48100                    | 43100 | 39400 | 36900 | 35100 | 33600 | 32300 | 30400 | 28500 | 26800 | 25500 | 24200 | -     | -     | -    | -    |
|               | 4900                     | 4390  | 4020  | 3760  | 3580  | 3430  | 3290  | 3100  | 2910  | 2730  | 2600  | 2470  | -     | -     | -    | -    |
| 8265          | 52000                    | 52000 | 51000 | 47500 | 44800 | 42800 | 41600 | 38900 | 37300 | 34800 | 33000 | 31100 | -     | -     | -    | -    |
|               | 5300                     | 5300  | 5200  | 4840  | 4570  | 4360  | 4240  | 3970  | 3800  | 3550  | 3360  | 3170  | -     | -     | -    | -    |
| 8275          | 58900                    | 58900 | 58900 | 58900 | 58900 | 58900 | 58900 | 58900 | -     | -     | -     | -     | -     | -     | -    | -    |
|               | 6000                     | 6000  | 6000  | 6000  | 6000  | 6000  | 6000  | 6000  | -     | -     | -     | -     | -     | -     | -    | -    |

※ For double reduction, axial load capacity applied for the output side. 對於雙段減速機，懸垂負荷數應用於低速出力軸。

## Allowable Radial and Axial Load (Input Shaft) 入力軸容許徑向軸向負荷



# RV Precision Cycloidal Gear

## 高精密擺線減速機

### The Cycloidal Drive Principle 操作原理

The RV series precision cycloidal gear reducer provides high-end performance in a very compact and highly rigid component type configuration. The gearbox incorporates rolling contact elements to provide high efficiency and long life, integrated angular bearings to support external loads and a 2-stage reduction design to reduce vibration and inertia while increasing ratio capabilities.

RV高精密擺線減速機在非常緊湊和高精度零部件配置下性能卓越。部件包滾動接觸部件，以實現較高效率 and 較長使用壽命，集成式角軸承支持外部負載，而且兩級減速設計在提高減速比的同時減少了震動和慣性。

RV series precision cycloidal gear reducer consists of a two-stage cycloidal design that provides large torque, high-ratio and significant shock-load capabilities with extreme precision and excellent quality. The RV Series cycloidal gear structure design utilizes rolling contact elements to reduce wear, extend life and lower backlash providing higher shock resistance than traditional reducers and further reducing backlash. Cycloidal design allows short time peak loads of up to 5 times the given rated torque (i.e. for emergency stops). The reducer also incorporates a set of large, internal angular support bearings that provide large moment capacities and negate the need for external support devices.

RV高精密擺線減速機使用兩級減速設計，可提供更大扭矩，以及在保證高精密度和輕量的前提下提供高減速比和高耐衝擊荷載能力。RV系列使用擺線設計的獨特針齒和滾動接觸部件結構以減少磨損、延長使用壽命、降低背隙，使其比傳統的減速機具有更強的耐衝擊能力，並進一步降低背隙。擺線結構設計並允許在短時間內達到額定扭矩的5倍（緊急停止時）。減速機搭載了一套大型內角軸承，以實現更大的負荷能力，以便減少外部支撐設備的需求。



### Applications 應用

- Robot Arms      ▪ Solar power system      ▪ Semiconductors equipment      ▪ 機械手臂      ▪ 太陽能系統      ▪ 半導體設備
- Satellite      ▪ Welding      ▪ transportation      ▪ 衛星      ▪ 焊接設備      ▪ 運輸
- CNC machines      ▪ Medical      ▪ measurement machine      ▪ CNC 工具機      ▪ 醫療設備      ▪ 檢驗設備

### Advantage 特長

- Reliability, Long lifetime, Precision.
- Less than 3 arc-min Backlash (High precision 1 arc-min available).
- Very compact with high torsional rigidity.
- In-line version for greater design and space saving flexibility.
- Integrated Angular bearings for large thrust & overhung moment capacity.
- High Ratio availability up to 1/212, without increasing gearbox size.
- Torque capacity up to 5X rated torque (E-Stop).
- 100% Continuous Contact of the cycloidal pin & gear teeth design provides high shock load capacity and very low backlash since forces are distributed throughout the reducer.
- 2-Stage Reduction Structure reduces vibration due to the lower speed rotation of the two cycloidal gears, special input shaft design lowers inertia.
- 可靠、精準、壽命長
- 背隙少於3弧分（高精密型1弧分）
- 緊湊設計，強抗扭剛度
- 同軸式實現更多設計靈活性
- 集成式角軸承設計使減速機有更大推力和懸臂式動量
- 最大1/212 單結構高減速比
- 最大轉矩至5X額定轉矩（緊急停止）
- 擺線齒輪和針齒的100%持續嚙合設計，實現較大衝擊負載能力以及較小齒隙，力被均勻分散到了整個減速機齒輪。
- 兩級減速機制降低了震動，兩個擺線齒輪在以較低的速度旋轉，特殊輸入軸設計降低了慣量。



## How to order 選型

**RV-E 80 - 121 - M1**

| ① | ②                        | ③  | ④                                |
|---|--------------------------|--|----------------------------------|
| ① | Model 型式                 | RV-E: Main bearing built-in type<br>RV-C: Hollow shaft type        | 主軸內置型<br>中空型                     |
| ② | Frame Size 型號            | RV-E: 6,20,40,80,110,160,320,450<br>RV-C: 10,27,50,100,200,320,500 |                                  |
| ③ | Ratio 減速比                | RV-E<br>RV-C   | Refer to details catalog. 參考詳細目錄 |
| ④ | Operation Direction 使用方向 | M1,M2,M3   |                                  |

※ For RV Precision Reduction Gear details, contact Varitron®. 詳細規格內容請洽中國變速。

## Model 型式 ①

RV-E

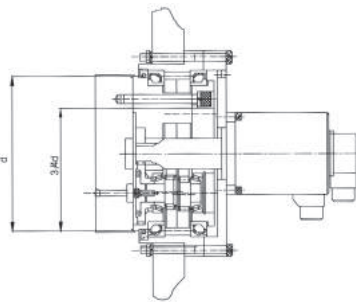


RV-C

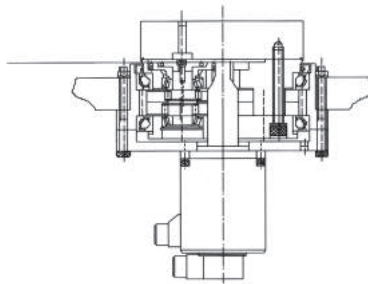


## Operation Direction 使用方向 ④

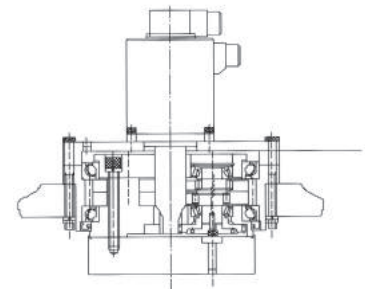
M1



M2



M3



## Construction Drawing 構造圖

