

VARITRON[®]
Take Control In Speed

驅動科技系列產品
Power Transmission Technologies



NMHV Hypoid-Helical Gear Reducer

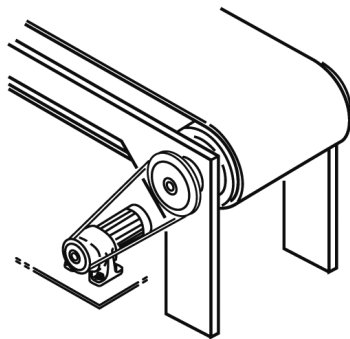
NMHV 萬向螺旋齒輪減速機

NMHV Hypoid-Helical Gear Series 萬向螺旋齒輪減速機

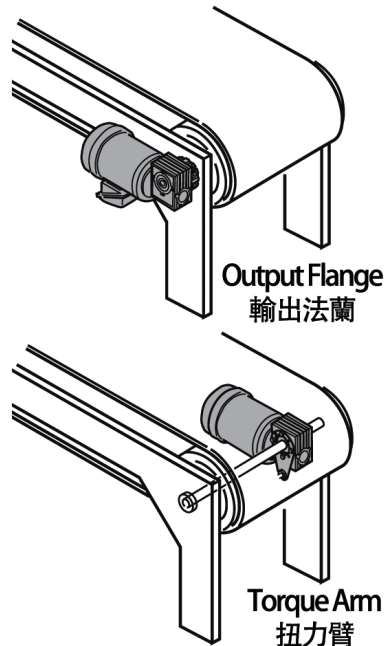
- Hypoid gear design allows high ratio range.
- High gear efficiency, large output torque with durable service life.
- Light weight, rust-free and durable Aluminum alloy housing design. (NMHV050-NMHV090).
- Low noise smooth running, ideal for long working operation.
- Compact design, suitable for wide application.
- Mounting dimension interchange with NMRV worm gear reducer.
- 螺旋齒輪設計提供更大的減速比。
- 高傳動效率，輸出扭矩大，壽命長。
- 鋁合金箱體減速機體積小，輕量及防銹(NMHV050-NMHV090)。
- 低噪音平順運轉，適合長時間運轉。
- 緊湊設計，應用廣泛。
- 安裝尺寸與NMRV萬向蝸輪減速機互換。



Conventional Placement Design 傳統安裝方式
(when mounting to solid shaft 減速機實心軸連結)



Placement with NMHV/NMRV Series
使用中空軸NMHV/NMRV系列減速機

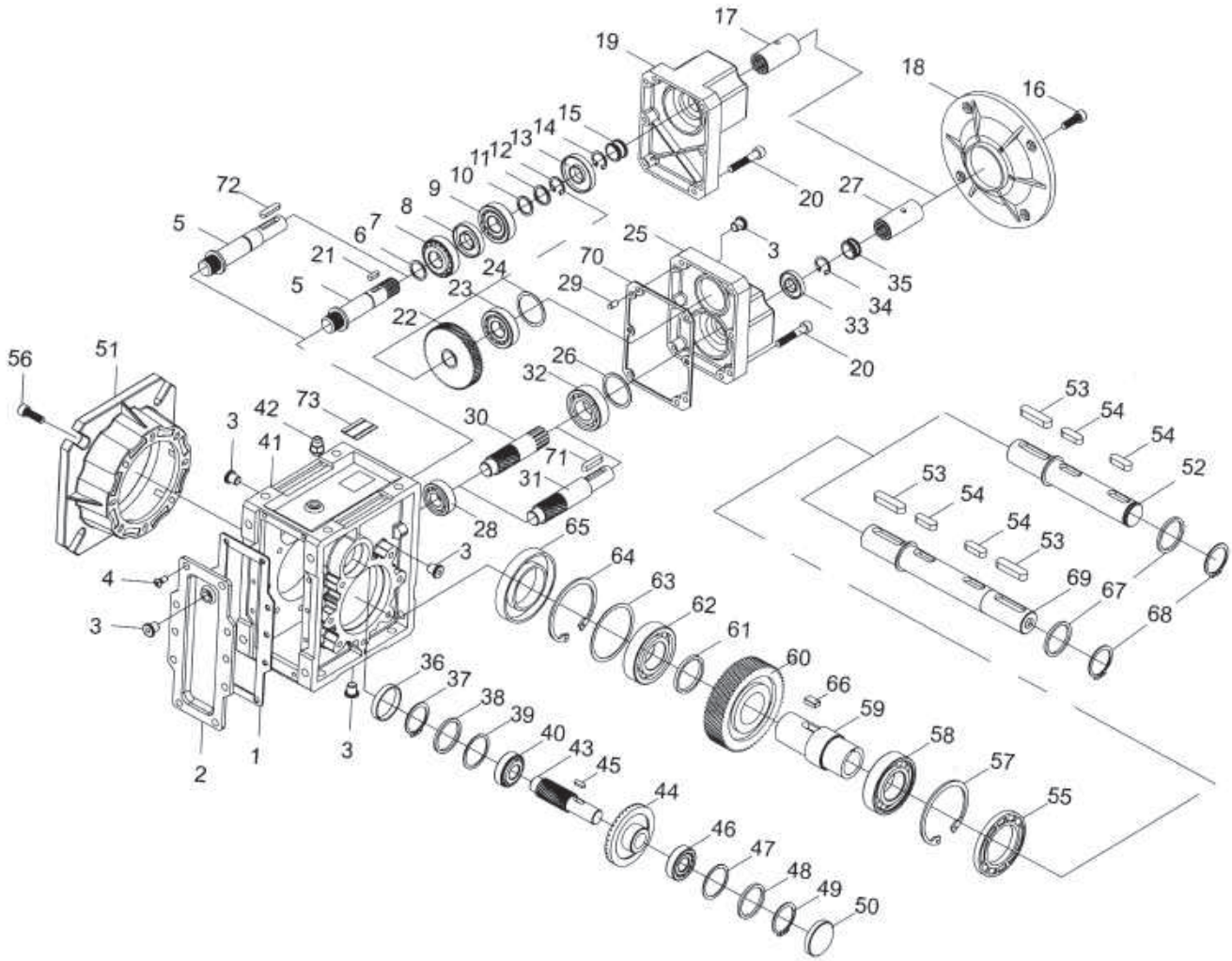


Catalog 目錄



gear.fyi/mhv

NMHV Construction Drawing 構造圖



Item 項次	Component 零組件	Item 項次	Component 零組件	Item 項次	Component 零組件
1	Rubber gasket	26	Spacer	49	Hole-Circlip
2	Housing cover	27	Input shaft	50	Closing cap
3	Oil plug	28	Bearing	51	Output flange
4	Hexagon sunk screw	29	Pin	52	Single output shaft
5	Pinion shaft	30	Pinion	53/54	Key
6	Spacer	31	Pinion shaft	55	Oil seal
7/9	Bearing	32	Bearing	56	Inner hex screw
8	Oil seal	33	Oil seal	57	Hole-Circlip
10	Spacer	34	Shaft-Circlip	58	Bearing
11	Washer	35	Rubber boot	59	Hollow shaft
12/14	Shaft-Circlip	36	Seal Cap	60	Gear
13	Oil seal	37	Hole-circlip	61	Washer
15	Rubber boot	38	Washer	62	Bearing
16	Inner hex screw	39	Spacer	63	Spacer
17	Input shaft	40	Bearing	64	Hole-Circlip
18	Input flange	41	Gear Housing	65	Oil seal
19	2 Stages input cover	42	Breather valve	66	Key
20	Inner hex screw	43	Pinion shaft	67	Washer
21	Key	44	Gear	68	Shaft-Circlip
22	Gear	45	Key	69	Double output shaft
23	Bearing	46	Bearing	70	Housing gasket
24	Spacer	47	Spacer	71/72	Key
25	3 Stages input cover	48	Washer		

How to order 選型

NMHV 063 - L2 - 30 - 90B5 - FA(1) - AS(1) - B3

①
②
③
④
⑤
⑥
⑦
⑧



①	Model 型式	NMHV: Hypoid-Helical Gear with IEC motor Adaptor NHV: Hypoid-Helical Gear with Input Shaft	雙曲面齒輪減速機附入力法蘭 雙曲面齒輪減速機附入力軸
②	Frame Size 型號	050,063,075,090,110	Refer to Performances Table on Page D05~D07. 請參閱第 D05~D07 頁性能表
③	Stages 齒輪段數	L2: 2 Stages 2 段 L3: 3 Stages 3 段	
④	Ratio 減速比	7.5,10,12.5,15,20,25,30,40,50,60,75,100,125,150,200,250,300	Refer to Specifications Table Page D04~D07. 請參閱第 D04~D07 頁規格表性能及馬達選配表
⑤	Input Motor Flange PAM 馬達盤	Refer to Disposition and Combinations Table (NMHV) Page D04. 請參閱第 D04 頁馬達選配表 (NMHV)	
⑥	Output Flange 出力法蘭 (Option 選配)	FA: FA Flange 法蘭 FB: FB Flange 法蘭 FC: FC Flange 法蘭 FD: FD Flange 法蘭 FE: FE Flange 法蘭 TA: Torque Arm 扭力臂 OC: Output Cover 出力軸蓋	Direction 方向 (1) (Standard 標準) (2) Refer to page D24 參考第 D24 頁
⑦	Output Shaft 出力軸 (Option 選配)	AS: Single Output Shaft 單向出力軸 AB: Double Output Shaft 雙向出力軸	(1) (Standard 標準) (2) Refer to page D25 參考第 D25 頁
⑧	Operation Direction 安裝方向	B3 (Standard 標準), B6, B7, B8, V5, V6 ... Refer to page D19. 參考第 D19 頁	

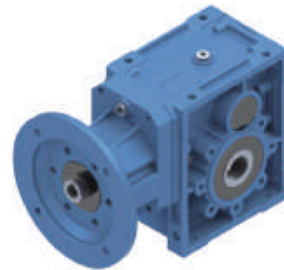
- * For INCH Size Series, contact Varitron® or your sales personal. 如需英制尺寸請洽中國變速。
- * Dimensions and specifications in the catalog are subject to change without notice. 尺寸及規格若有變動，將不另行通知。
- * Optional Smart Monitoring System can be integrated, contact Varitron® or your sales personal. 如需加購智能監控系統，請洽中國變速。

Model 型式 ①

NMHV-L2



NMHV-L3



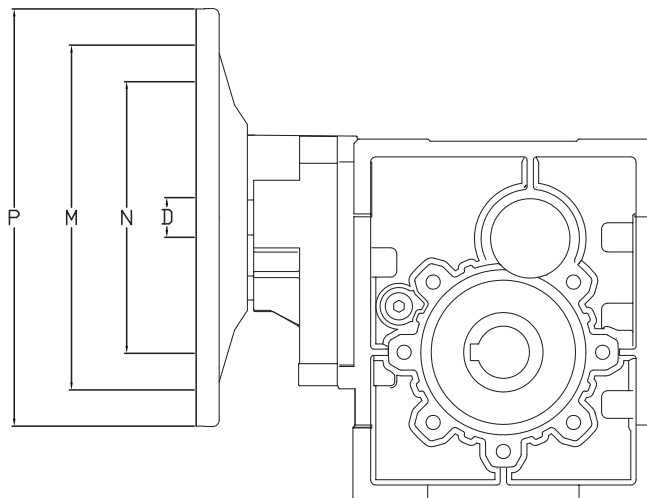
NHV-L2



NHV-L3

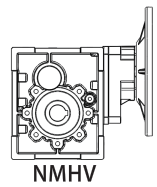


NMHV Disposition and Combinations 馬達選配表



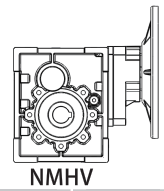
Frame Size 型號	HP (4P)	PAM IEC	N	M	P	Reduction Ratio 減速比 (i)																			
						L2: 2 Stage 二段									L3: 3 Stage 三段										
						7.5	10	12.5	15	20	25	30	40	50	60	50	60	75	100	125	150	200	250	300	
Input Bore 入力孔 (D)																									
NMHV 050	2 HP	90B5 90B14	130 95	165 115	200 140	24	24	24	-	-	-	-	-	-	-	-	-	-	-	-	-	-	-	-	-
	1 HP	80B5 80B14	130 80	165 100	200 120	19	19	19	19	19	19	+	-	-	-	-	-	-	-	-	-	-	-	-	-
	1/2 HP	71B5 71B14	110 70	130 85	160 105	14	14	14	14	14	14	14	14	14	+	14	14	+	+	+	-	-	-	-	-
	1/4 HP	63B5	95	115	140	11	11	11	11	11	11	11	11	11	11	11	11	+	+	+	-	-	-	-	-
NMHV 063	2 HP	90B5 90B14	130 95	165 115	200 140	24	24	24	+	+	+	-	-	-	-	-	-	-	-	-	-	-	-	-	-
	1 HP	80B5 80B14	130 80	165 100	200 120	19	19	19	19	19	19	19	+	+	-	19	19	-	-	-	-	-	-	-	-
	1/2 HP	71B5 71B14	110 70	130 85	160 105	14	14	14	14	14	14	14	14	14	14	14	14	+	+	+	+	-	-	-	-
	1/4 HP	63B5	95	115	140	11	11	11	11	11	11	11	11	11	11	11	11	11	11	11	11	11	11	11	11
NMHV 075	5 HP	112B5 112B14	180 110	215 130	250 160	28	28	+	-	-	-	-	-	-	-	-	-	-	-	-	-	-	-	-	-
	3 HP	100B5 100B14	180 110	215 130	250 160	28	28	28	+	+	+	+	-	-	-	-	-	-	-	-	-	-	-	-	-
	2 HP	90B5 90B14	130 95	165 115	200 140	24	24	24	24	24	24	24	+	+	-	24	24	-	-	-	-	-	-	-	-
	1 HP	80B5 80B14	130 80	165 100	200 120	19	19	19	19	19	19	19	19	19	19	19	19	+	+	+	+	-	-	-	-
	1/2 HP	71B5 71B14	110 110	130 130	160 160	14	14	14	14	14	14	14	14	14	14	14	14	14	14	14	14	+	+	+	+
NMHV 090	5 HP	112B5 112B14	180 110	215 130	250 160	28	28	28	-	-	-	-	-	-	-	-	-	-	-	-	-	-	-	-	-
	3 HP	100B5 100B14	180 110	215 130	250 160	28	28	28	28	28	28	28	+	-	-	-	-	-	-	-	-	-	-	-	-
	2 HP	90B5 90B14	130 95	165 115	200 140	24	24	24	24	24	24	24	24	24	+	24	24	+	+	+	-	-	-	-	-
	1 HP	80B5 80B14	130 80	165 100	200 120	24	24	24	24	24	24	24	24	24	24	24	24	+	+	+	+	+	+	+	-
NMHV 110	7.5HP	132B5	230	265	300	38	38	38	38	+	-	-	-	-	-	-	-	-	-	-	-	-	-	-	-
	5 HP	112B5 112B14	180 110	215 130	250 160	28	28	28	28	28	28	28	-	-	-	-	-	-	-	-	-	-	-	-	-
	3 HP	100B5 100B14	180 110	215 130	250 160	28	28	28	28	28	28	28	28	28	+	28	28	28	+	+	-	-	-	-	-
	2 HP	90B5	130	165	200	24	24	24	24	24	24	24	24	24	24	24	24	+	+	+	+	-	-	-	-
	1 HP	80B5	130	165	200	19	19	19	19	19	19	19	19	19	19	19	19	19	19	19	19	19	19	19	19

※ The above HP is for motor flange sizes, refer to selection table for accurate selection of model. 上述馬達是安裝法蘭尺寸，請依對照表選型。
 ※ (+) Refer to Motor-Ratio combination out of warranty terms due to service factor. (+)符號為此馬達減速比組合安全係數低於1,超出保固範圍。



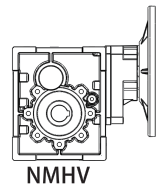
NMHV Performances Table 性能表

HP (kW)	Frame Size 型號	Nominal Ratio 公稱減速比 i	Actual Ratio 實際減速比 i	Output Radial Load 輸出徑向負荷 Fr2 (N)	Output Torque 輸出扭矩 M2 (Nm)	Service Factor 安全係數 SF	Frame Size 型號	Nominal Ratio 公稱減速比 i	Actual Ratio 實際減速比 i	Output Radial Load 輸出徑向負荷 Fr2 (N)	Output Torque 輸出扭矩 M2 (Nm)	Service Factor 安全係數 SF		
1/4Hp4P (0.18kW)	2-Stages 二段 L2						3-Stages 三段 L3							
	NMHV 050-L2	7.5	7.73	1510	8.9	8.0	NMHV 050-L3	50	52.36	2860	58	1.7		
		10	10.47	1670	12.1	6.0		60	62.36	3030	69	1.9		
		12.5	12.47	1770	14.4	5.5		75	74.62	3220	82	0.97		
		15	14.92	1880	17.2	4.7		100	101.04	3560	112	0.9		
		20	20.21	2080	23	4.4		125	120.34	3770	133	0.98		
		25	24.07	2200	27	4.8		NMHV 063-L3	50	52.48	3270	58	2.6	
		30	29.33	2350	33	3.9			60	63.33	3480	70	2.6	
		40	40.09	2610	45	2.9			75	73.33	3650	81	1.4	
	50	48.86	2790	55	2.4	100	101.27		4070	112	1.3			
	60	58.36	2960	66	2.0	125	122.22		4330	135	1.3			
	NMHV 063-L2	40	39.29	2970	44	4.1	150		151.56	4650	167	1.2		
		50	48.71	3190	55	3.6	200		196.43	4800	217	0.83		
		60	60.50	3430	68	2.9	75		75.45	5040	83	2.4		
	-	-	-	-	-	-	NMHV 075-L3	100	99.22	5520	110	2.2		
		-	-	-	-	-		125	125.95	5980	139	2.2		
		-	-	-	-	-		150	151.20	6500	167	2.1		
		-	-	-	-	-		200	200.66	6500	222	1.4		
		-	-	-	-	-		250	240.89	6500	266	1.3		
		-	-	-	-	-		300	297.21	6500	328	1.1		
		-	-	-	-	-	-	NMHV 090-L3	75	75.45	6390	83	3.6	
			-	-	-	-	-		100	99.22	7000	110	3.5	
			-	-	-	-	-		125	125.95	7580	139	3.4	
			-	-	-	-	-		150	151.20	8050	167	3.0	
-			-	-	-	-	200		200.66	8300	222	2.2		
-			-	-	-	-	250		240.89	8300	266	1.9		
1/2Hp4P (0.37kW)	NMHV 050-L2	7.5	7.73	1510	17.9	4.5	NMHV 063-L3	50	52.48	3270	119	1.3		
		10	10.47	1670	24	4.1		60	63.33	3480	144	1.3		
		12.5	12.47	1770	29	4.5		NMHV 075-L3	50	49.18	4370	112	2.1	
		15	14.92	1880	35	2.3			60	62.43	4730	142	2.1	
		20	20.21	2080	47	2.1			75	75.45	5040	171	1.2	
		25	24.07	2200	56	2.3			100	99.22	5520	225	1.1	
		30	29.33	2350	68	1.9			125	125.95	5980	286	1.0	
		40	40.09	2610	93	1.4			150	151.20	6500	343	1.0	
	50	48.86	2790	113	1.1	NMHV 090-L3	50		49.18	5540	112	3.4		
	60	58.36	2960	136	0.96		60		62.43	6000	142	3.4		
	NMHV 063-L2	15	14.67	2130	34		3.2	75	75.45	6390	171	1.8		
		20	20.25	2380	47		3.2	100	99.22	7000	225	1.7		
		25	24.44	2530	57		3.2	125	125.95	7580	286	1.7		
		30	30.31	2720	70		2.8	150	151.20	8050	343	1.5		
		40	39.29	2970	91		2.0	200	200.66	8300	456	1.1		
		50	48.71	3190	113		1.8	250	240.89	8300	547	0.91		
		60	60.50	3430	140	1.4	300	298.18	8300	671	0.75			
		NMHV 075-L2	40	40.13	4080	93	3.2	NMHV 110-L3	75	75.55	7090	172	3.0	
	50		48.18	4340	112	3.1	100		103.64	7880	235	2.8		
	60		59.44	4660	138	2.5	125		129.48	8490	294	2.5		
	NMHV 090-L2		50	48.18	5550	112	4.5		150	153.33	8980	348	2.2	
		60	59.04	5890	137	3.6	200		206.29	9920	469	1.6		
	-	-	-	-	-	-	250		244.29	10000	555	1.4		
		-	-	-	-	-	300		296.10	10000	673	1.1		
1Hp4P (0.75kW)		NMHV 050-L2	7.5	7.73	1510	36	2.2		NMHV 075-L3	50	49.18	4370	226	1.1
			10	10.47	1670	49	2.0	60		62.43	4730	287	1.0	
			12.5	12.47	1770	59	2.2	NMHV 090-L3		50	49.18	5540	226	1.7
			15	14.92	1880	70	1.1			60	62.43	6000	287	1.7
	20		20.21	2080	95	1.1	75			75.45	6390	247	0.86	
	25		24.07	2200	113	1.1	100			99.22	7000	457	0.83	
30	29.33	2350	138	0.94	125	125.95	7580		580	0.83				



NMHV Performances Table 性能表

HP (kW)	Frame Size 型號	Nominal Ratio 公稱減速比 i	Actual Ratio 實際減速比 i	Output Radial Load 輸出徑向負荷 Fr2 (N)	Output Torque 輸出扭矩 M2 (Nm)	Service Factor 安全係數 SF	Frame Size 型號	Nominal Ratio 公稱減速比 i	Actual Ratio 實際減速比 i	Output Radial Load 輸出徑向負荷 Fr2 (N)	Output Torque 輸出扭矩 M2 (Nm)	Service Factor 安全係數 SF
1Hp4P (0.75kW)	2-Stages 二段 L2						3-Stages 三段 L3					
	NMHV 063-L2	7.5	7.60	1710	36	3.1	NMHV 110-L3	50	51.37	6240	237	2.7
		10	10.50	1910	49	3.0		60	64.18	6720	296	2.5
		12.5	12.67	2030	60	3.0		75	75.55	7090	348	1.5
		15	14.67	2130	69	1.6		100	103.64	7880	477	1.4
		20	20.25	2380	95	1.6		125	129.48	8490	596	1.3
		25	24.44	2530	115	1.6		150	153.33	8980	706	1.1
		30	30.31	2720	143	1.4		-	-	-	-	-
		40	39.29	2970	185	0.97		-	-	-	-	-
	NMHV 075-L2	50	48.71	3190	229	0.87	-	-	-	-	-	
		15	15.09	2950	71	2.8	-	-	-	-	-	
		20	19.84	3230	93	2.6	-	-	-	-	-	
		25	25.19	3500	119	2.5	-	-	-	-	-	
		30	30.24	3720	142	2.5	-	-	-	-	-	
		40	40.13	4080	189	1.6	-	-	-	-	-	
	NMHV 090-L2	50	48.18	4340	227	1.5	-	-	-	-	-	
		60	59.44	4660	280	1.3	-	-	-	-	-	
		15	15.09	3730	71	4.2	-	-	-	-	-	
		20	19.84	4090	93	4.1	-	-	-	-	-	
		25	25.19	4430	119	4.0	-	-	-	-	-	
		30	30.24	4710	142	3.5	-	-	-	-	-	
	NMHV 110-L2	40	40.13	5170	189	2.5	-	-	-	-	-	
		50	48.18	5550	227	2.2	-	-	-	-	-	
		60	59.04	5890	278	1.8	-	-	-	-	-	
40		41.26	5800	194	3.9	-	-	-	-	-		
2Hp4P (1.5kW)	NMHV 050-L2	50	48.86	6130	230	3.3	NMHV 110-L3	50	51.37	6240	473	1.4
		60	59.22	6540	279	2.7		60	64.18	6720	591	1.3
		7.5	7.73	1510	73	1.1		-	-	-	-	-
	NMHV 063-L2	10	10.47	1670	99	1.0		-	-	-	-	-
		7.5	7.60	1710	72	1.5		-	-	-	-	-
		10	10.50	1910	99	1.5		-	-	-	-	-
		12.5	12.67	2030	119	1.5		-	-	-	-	-
		15	14.67	2130	138	0.8		-	-	-	-	-
		20	20.25	2380	191	0.8		-	-	-	-	-
	NMHV 075-L2	25	24.44	2530	230	0.8		-	-	-	-	-
		7.5	7.48	2330	70	2.8		-	-	-	-	-
		10	9.84	2550	93	2.6		-	-	-	-	-
		12.5	12.49	2770	118	2.6		-	-	-	-	-
		15	15.09	2950	142	1.4		-	-	-	-	-
		20	19.84	3230	187	1.3		-	-	-	-	-
		25	25.19	3500	237	1.3		-	-	-	-	-
		30	30.24	3720	285	1.2		-	-	-	-	-
	NMHV 090-L2	40	40.13	4080	378	0.79		-	-	-	-	-
		50	48.18	4340	454	0.77		-	-	-	-	-
		7.5	7.48	2950	70	4.3		-	-	-	-	-
		10	9.84	3240	93	4.1		-	-	-	-	-
		12.5	12.49	3510	118	4.1		-	-	-	-	-
		15	15.09	3730	142	2.1		-	-	-	-	-
		20	19.84	4090	187	2.0		-	-	-	-	-
25		25.19	4430	237	2.0	-	-	-	-	-		
30		30.24	4710	285	1.8	-	-	-	-	-		
40		40.13	5170	378	1.3	-	-	-	-	-		
50	48.18	5550	454	1.1	-	-	-	-	-			
60	59.04	5890	556	0.9	-	-	-	-	-			



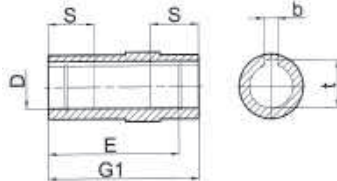
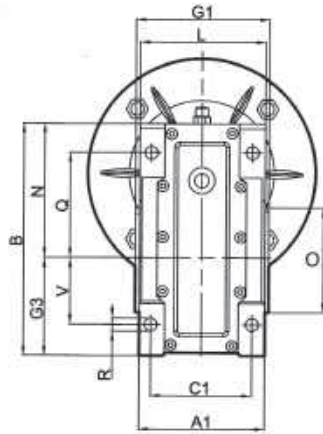
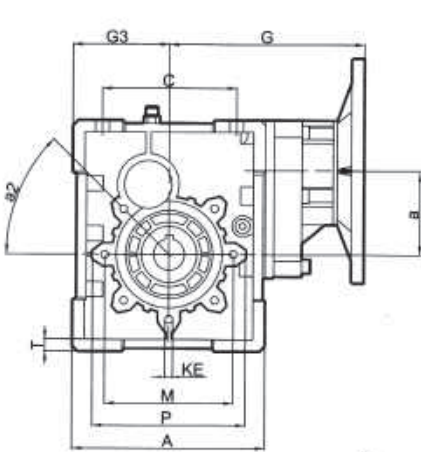
NMHV Performances Table 性能表

HP (kW)	Frame Size 型號	Nominal Ratio 公稱減速比 i	Actual Ratio 實際減速比 i	Output Radial Load 輸出徑向負荷 Fr2 (N)	Output Torque 輸出扭矩 M2 (Nm)	Service Factor 安全係數 SF	Frame Size 型號	Nominal Ratio 公稱減速比 i	Actual Ratio 實際減速比 i	Output Radial Load 輸出徑向負荷 Fr2 (N)	Output Torque 輸出扭矩 M2 (Nm)	Service Factor 安全係數 SF
2Hp4P (1.5kW)	NMHV 110-L2	2-Stages 二段 L2					3-Stages 三段 L3					
		15	15.11	4150	142	3.7	-	-	-	-	-	
		20	20.73	4610	195	3.3	-	-	-	-	-	
		25	25.90	4960	244	3.1	-	-	-	-	-	
		30	30.67	5250	289	2.6	-	-	-	-	-	
		40	41.26	5800	388	1.9	-	-	-	-	-	
		50	48.86	6130	460	1.6	-	-	-	-	-	
3Hp4P (2.2kW)	NMHV 075-L2	7.5	7.48	2330	103	1.9	-	-	-	-	-	
		10	9.84	2550	136	1.8	-	-	-	-	-	
		12.5	12.49	2770	172	1.7	-	-	-	-	-	
		15	15.09	2950	208	0.96	-	-	-	-	-	
		20	19.84	3230	274	0.88	-	-	-	-	-	
		25	25.19	3500	348	0.86	-	-	-	-	-	
		30	30.24	3720	418	0.84	-	-	-	-	-	
	NMHV 090-L2	7.5	7.48	2950	103	2.9	-	-	-	-	-	
		10	9.84	3240	136	2.8	-	-	-	-	-	
		12.5	12.49	3510	172	2.8	-	-	-	-	-	
		15	15.09	3730	208	1.4	-	-	-	-	-	
		20	19.84	4090	274	1.4	-	-	-	-	-	
		25	25.19	4430	348	1.4	-	-	-	-	-	
		30	30.24	4710	418	1.2	-	-	-	-	-	
	NMHV 110-L2	40	40.13	5170	554	0.87	-	-	-	-	-	
		7.5	7.49	3280	103	5.0	-	-	-	-	-	
		10	10.27	3650	142	4.6	-	-	-	-	-	
		12.5	12.84	3930	177	4.2	-	-	-	-	-	
		15	15.11	4150	209	2.5	-	-	-	-	-	
		20	20.73	4610	286	2.3	-	-	-	-	-	
		25	25.90	4960	358	2.1	-	-	-	-	-	
30		30.67	5250	423	1.8	-	-	-	-	-		
40		41.26	5800	570	1.3	-	-	-	-	-		
5.5Hp4P (4kW)	NMHV 075-L2	7.5	7.48	2330	188	1.1	-	-	-	-	-	
		10	9.84	2550	247	1.0	-	-	-	-	-	
		12.5	12.49	2770	314	0.96	-	-	-	-	-	
	NMHV 090-L2	7.5	7.48	2950	188	1.6	-	-	-	-	-	
		10	9.84	3240	247	1.5	-	-	-	-	-	
		12.5	12.49	3510	314	1.5	-	-	-	-	-	
	NMHV 110-L2	7.5	7.49	3280	188	2.8	-	-	-	-	-	
		10	10.27	3650	258	2.5	-	-	-	-	-	
		12.5	12.84	3930	322	2.3	-	-	-	-	-	
		15	15.11	4150	379	1.4	-	-	-	-	-	
7.5Hp4P (5.5kW)	NMHV 110-L2	20	20.73	4610	520	1.2	-	-	-	-	-	
		25	25.90	4960	650	1.2	-	-	-	-	-	
		30	30.67	5250	770	1.0	-	-	-	-	-	
		7.5	7.49	3280	259	2.0	-	-	-	-	-	
		10	10.27	3650	354	1.8	-	-	-	-	-	
12.5	12.84	3930	443	1.7	-	-	-	-	-			
15	15.11	4150	522	1.0	-	-	-	-	-			
20	20.73	4610	716	0.9	-	-	-	-	-			

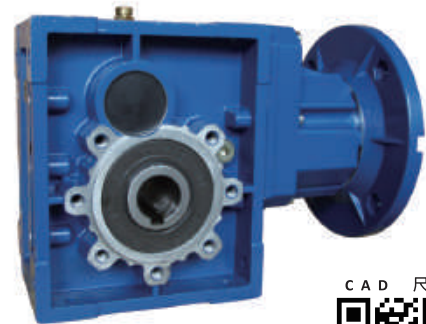
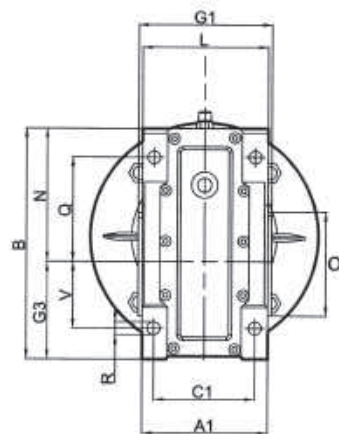
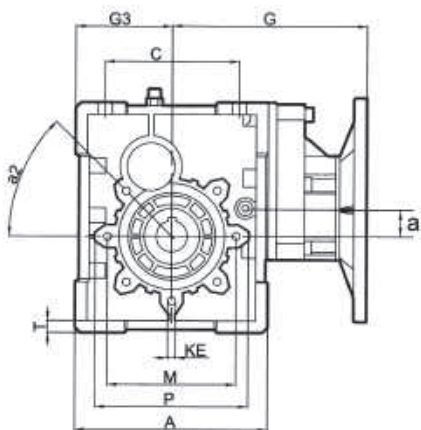
NMHV Hypoid-Helical Gear with IEC Motor Adaptor 附入力法蘭型

Dimensions 外型尺寸表

NMHV-L2



NMHV-L3



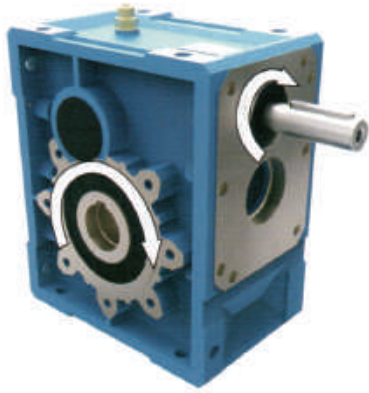
Frame Size 型號	C	A	B	G	G3	a	C1	KE	a2	L	G1	M	O	A1	R	P	Q	N	T	V	S	E	D	b	t	kg
NMHV050-L2	80	120	155	132.5	60	57	70	4xM8x12	45°	87	92	85	70	85	8.5	100	75	95	7	40	30	77	20(24)	6(8)	22.8(27.3)	4.5
NMHV050-L3	80	120	155	148	60	21.5	70	4xM8x12	45°	87	92	85	70	85	8.5	100	75	95	7	40	30	77	20(24)	6(8)	22.8(27.3)	5
NMHV063-L2	100	144	174	143.5	72	64.5	85	7xM8x14	45°	106	112	95	80	103	8.5	110	80	102	9	50	36	97	25(28)	8	28.3(31.3)	6.3
NMHV063-L3	100	144	174	169	72	29	85	7xM8x14	45°	106	112	95	80	103	8.5	110	80	102	9	50	36	97	25(28)	8	28.3(31.3)	7
NMHV075-L2	120	172	205	174	86	74.5	90	7xM8x16	45°	114	120	115	95	112	11	140	93	119	10	60	40	105	28 ⁽³⁰⁾ 35	8(10)	31.3 ^(33.3) (38.3)	9.9
NMHV075-L3	120	172	205	203	86	30.5	90	7xM8x16	45°	114	120	115	95	112	11	140	93	119	10	60	40	105	28 ⁽³⁰⁾ 35	810	31.3 ^(33.3) (38.3)	10.9
NMHV090-L2	140	206	238	192	103	88	100	7xM10x22	45°	134	140	130	110	130	13	160	102	135	11	70	45	122	35(38)	10	38.3(41.3)	13.9
NMHV090-L3	140	206	238	220	103	44	100	7xM10x22	45°	134	140	130	110	130	13	160	102	135	11	70	45	122	35(38)	10	38.3(41.3)	14.9
NMHV110-L2	170	255	295	241.5	127.5	108	115	7xM10x25	45°	148	155	165	130	144	14	185	125	167.5	16	85	50	131	40(42)	12	43.3(45.3)	28
NMHV110-L3	170	255	295	271.5	127.5	52	155	7xM10x25	45°	148	155	165	130	144	14	185	125	167.5	16	85	50	131	40(42)	12	43.3(45.3)	30

※ () Custom Size 訂製規格

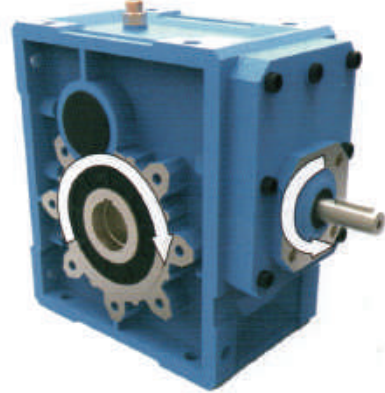
※ kg: Weight not include motor. 重量(不含馬達)。

NHV Hypoid-Helical Gear with Input Shaft 附入力軸型

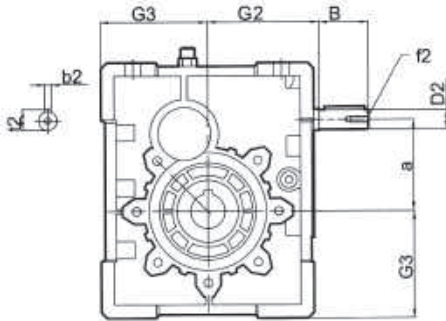
Dimensions 外型尺寸表



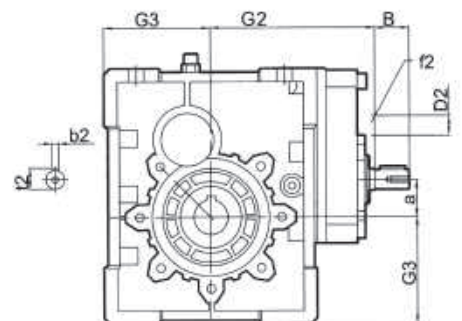
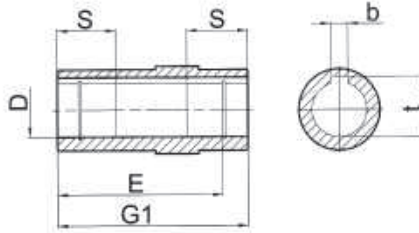
■ NHV-L2



■ NHV-L3



■ NHV-L2



■ NHV-L3



Frame Size 型號	B	D2	G1	G2	G3	a	b2	t2	f2	S	E	D	b	t
NHV050-L2	23	11	92	65	60	57	4	12.5	-	30	77	20(24)	6(8)	22.8(27.3)
NHV050-L3	23	11	92	100	60	21.5	4	12.5	-	30	77	20(24)	6(8)	22.8(27.3)
NHV063-L2	30	14	112	76	72	64.5	5	16	M6	36	97	25(28)	8	28.3(31.3)
NHV063-L3	23	11	112	111	72	29	4	12.5	-	36	97	25(28)	8	28.3(31.3)
NHV075-L2	40	16	120	91	86	74.5	5	18	M6	40	105	28 ⁽³⁰⁾ (35)	8(10)	31.3 ^(33.3) (38.3)
NHV075-L3	30	14	120	132	86	30.5	5	16	M6	40	105	28 ⁽³⁰⁾ (35)	8(10)	31.3 ^(33.3) (38.3)
NHV090-L2	40	19	140	107	103	88	6	21.5	M6	45	122	35(38)	10	38.3(41.3)
NHV090-L3	30	14	140	146	103	44	5	16	M6	45	122	35(38)	10	38.3(41.3)
NHV110-L2	50	24	155	132	127.5	108	8	27	M6	50	131	40(42)	12	43.3(45.3)
NHV110-L3	40	19	155	181	127.5	52	6	21.5	M6	50	131	40(42)	12	43.3(45.3)

※ () Custom Size. 訂製規格。

POWER TRANSMISSION INDEX

A1

Cycloidal Drive Reducer

賽驅樂減速機

HM



Pg.A47

HX



Pg.A55

H



Pg.A61

VM



Pg.A64

VX



Pg.A72

V



Pg.A78

Page
A01~A82

A2

RV Precision Cycloidal Gear

高精密擺線減速機

RV-E



Pg.A84

RV-C



Pg.A84

Page
A83~A84

B1

Precision Planetary Gearbox

精密行星減速機

DA



Pg.B06

DG



Pg.B08

DGT



Pg.B10

DM



Pg.B12

DML



Pg.B14

DF



Pg.B16

DH



Pg.B18

DL



Pg.B20

DN



Pg.B22

RAM-S



Pg.B24

RAM-SS



Pg.B25

RAM-H



Pg.B26

RAM-D



Pg.B27

RAM-F



Pg.B28

RAH-S



Pg.B30

RAH-SS



Pg.B31

RAH-H



Pg.B32

RAH-D



Pg.B33

RAH-F



Pg.B34

HRP



Pg.B38

HRP-H



Pg.B39

Page
B01~B39

B2

Planetary Gear Reducer

遊星式減速機

HF



Pg.B47

VF



Pg.B48

HS



Pg.B49

VS



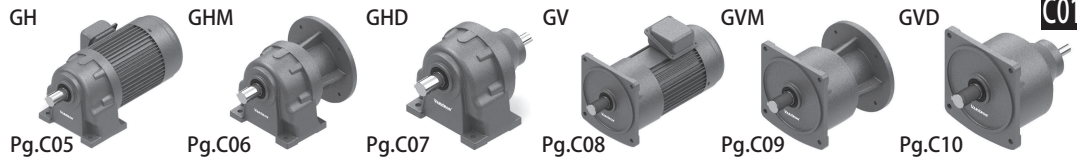
Pg.B50

Page
B40~B51

C1

Compact Helical Gear Motor Reducers

小型齒輪減速機



Page
C01~C10

C2

Helical Gear Motor Reducers

齒輪減速機



Page
C11~C16

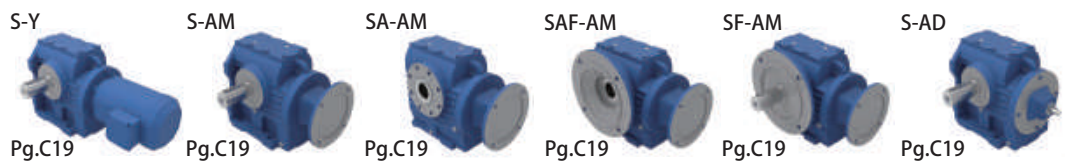
C3

SEW Type Gear Reducer

歐規齒輪減速機



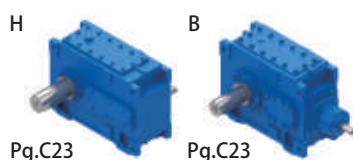
Page
C18~C21



C4

Industrial Helical Bevel Gearbox

齒輪箱



Page
C22~C23

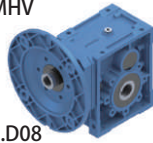
POWER TRANSMISSION INDEX

D1

NMHV Hypoid-Helical Gear Reducer

萬向螺旋齒輪減速機

NMHV



Pg.D08

NHV



Pg.D09

Page
D01~D09

D2

NMRV Worm Gear Reducer

萬向蝸輪減速機

NMRV



Pg.D20

NMRV-NMRV



Pg.D21

NRV



Pg.D22

NRV-NMRV



Pg.D22

PC-NMRV



Pg.D23

Page
D10~D25

D3

Worm Gear Speed Reducer

蝸輪減速機

HW



Pg.D33

HMW



Pg.D34

HOM



Pg.D35

LW



Pg.D36

LMW



Pg.D37

HOW



Pg.D38

Page
D26~D53

LOW



Pg.D38

VW



Pg.D39

VMW



Pg.D40

VOW



Pg.D41

VOM



Pg.D42

UW



Pg.D43

UMW



Pg.D44

TW



Pg.D45

TMW



Pg.D45

TOW



Pg.D46

TOM



Pg.D46

VOF



Pg.D47

VOFM



Pg.D47

LH



Pg.D48

LHM



Pg.D48

LOH



Pg.D49

LOHM



Pg.D49

VH



D50

UH



Pg.D50

VHM



Pg.D51

UHM



Pg.D51

VOH



Pg.D52

VOHM



Pg.D52

E1

Disco Speed Variator

無段變速機



Pg.E07

Pg.E07

Pg.E07

Pg.E07

Pg.E07



Pg.E08

Pg.E08

Page
E01~E08

E2

Belt Stepless Variable Speed Drive

皮帶變速機



Pg.E09

Pg.E10

Page
E09~E10

E3

Five Steps Buffered Speed Changer

五段緩衝式變速機



Pg.E11

Page
E11

E4

PIV Chain Variable Speed Drive

鍊條無段變速機



Pg.E13

Pg.E13

Page
E12~E14

F1

Spiral Bevel Gear Box

十字轉向機



Pg.F03

Page
F01~F03

F2

Spiral Screw Rod Actuators

螺桿升降機



Pg.F06

Pg.F06

Page
F05~F07

G

Induction Electric Motor

感應馬達



Pg.G06

Pg.G07

Pg.G09

Pg.G10

Pg.G10

Page
G01~G10

H

Agitator Mixer

攪拌機



Pg.H05

Pg.H06

Pg.H07

Pg.H08

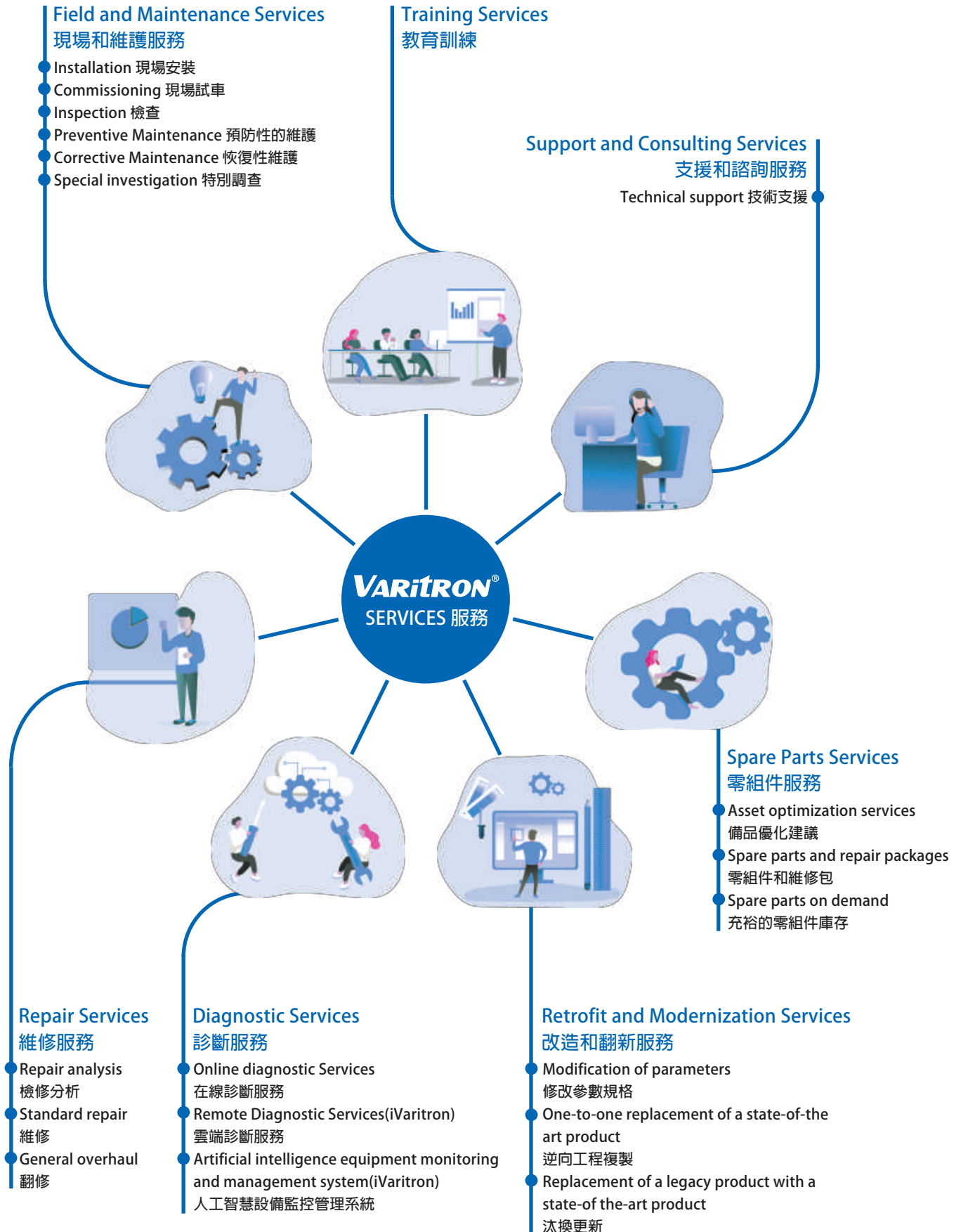
Pg.H09

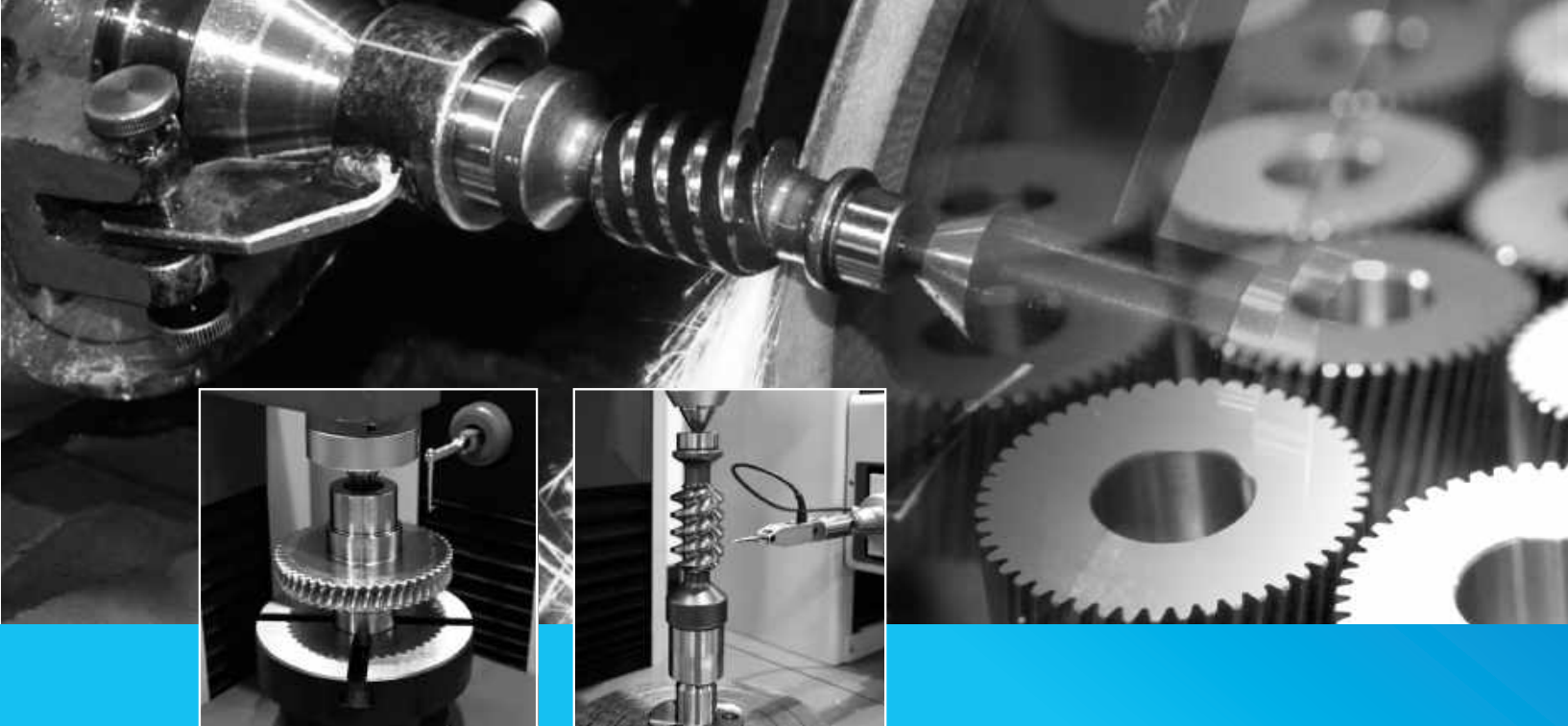
Pg.H10

Page
H01~H10

VARITRON® Total Solution for Transmission Units

全方位的驅動產品服務





MADE IN TAIWAN

Service perfection, Quality superiority, Research and Development are the core enterprise spirits of VARITRON since 1971. Responding to both domestic customers and international market demands, we never stop to make innovation for gearbox function, efficiency and quality improvement, accompany with accurate and in-time after service. To improve quality control, VARITRON has been certified with ISO9001 since 2008.

Varitron wide power transmission product line including Cycloidal Drive, Precision Planetary Gearbox, Helical Gearmotor, Planetary Gear Reducers, Worm Gearbox, Variator and Induction Motor provides different industries sectors including CNC Machineries, Semi-conductor, Chemical, Steel Industries, Factory facilities, Automation Machineries, robo-tic arm With Varitron strong mechanical engineering team, Varitron provides customizes transmission gearbox and many newly innovated pattern products.

Service

Towards Varitron's Half-century, we serve more than 40 countries. VARITRON has more than 10 service points in cooperation with regional agents globally to timely assist our customers not only for hardware, like parts and maintenance, but also for software, like design consultant

Quality

Quality Perfection is Varitron's core value, new machinery and quality check equipment is deploy in the manufacturing. Minimum 30 quality check point is done from raw material to final gearbox. In-house testing laboratory, ISO9001 and ISO14001 quality control system to ensure every gearbox meets perfection.

Innovation

Our specialized R&D teams constantly developing new gearbox, gear motor and motors for effectively fabricating transmission products, and working to improve machine quality. VARITRON never stops doing market surveys and attending international exhibitions. With decades of knowledge accumulated about market information and changes in machineries trends, we can provide the most valuable information to our clients and assist our clients in industrial upgrading.



VARITRON®
Take Control In Speed

「服務」、「品質」、「研發」是中國變速工程股份有限公司自1971年成立以來一直秉持的核心精神。為因應國際多元化的市場需求，我們不斷挑戰速度及品質的極限亦擁有領先且精密的技術，在近半世紀的努力下，終於從一家國內的減速機工廠蛻變為國際優秀的工業自動化領導品牌。

本公司生產之減速機種類多元，包含賽驅樂減速機、低背隙行星減速機、齒輪減速機、遊星式減速機、蝸輪減速機、無段變速機、攪拌機系列等等，其工業品上的應用更是跨足不同產業，從CNC自動化、汙水處理廠、造紙廠、機械手臂、半導體及到化工廠等等…。為了滿足客戶各項傳動需求，我們尚提供客製化技術，為客戶量身打造一套屬於自己的產品，為客戶節省更多測試及人力成本。

我們具有性能卓越的獨家技術、不斷研發的專利產品，同時還有完善的售前/後服務，才能讓本公司於眾多製造廠商中脫穎而出。

服務

經過半世紀的努力，我們的客戶已超過40個國家，為因應海外市場龐大的業務量及秉持服務品質不縮水的精神，我們已在海外增設多個據點，提供給客戶更即時性的服務。

品質

因為品質的堅持是我們最重要的信念，所以本公司引進最新型、最先進的技術及機器，生產的每樣產品從原料到成品皆須歷經30道以上的檢驗關卡，我們希望透過最嚴謹的製造流程，來確保品質的無虞，並致力通過ISO9001及ISO14001的認證。除證實我們對於品質與自我的要求外，更帶領我們達到積極追求的目標 - 「提供高效率且環境友善的產品」，為環境永續更盡一份心力。

研發

本公司憑藉著永續經營、鍥而不捨的研發精神，不斷吸納專業人才、研發新技術，並努力拓銷至國際市場(韓國、日本、東南亞、澳洲、美國及歐洲等四十多個國家)，歡迎您來體驗中國變速所帶給您的傳動新感受。

www.varitron.com.tw
www.c-var.com

台灣 **中國變速工程股份有限公司**
Varitron Engineering (Taiwan) Co., Ltd.

台灣新北市五股區中興路一段171巷45號
No.45, Ln.171, Sec.1, Zhongxing Rd.,
Wugu Dist., New Taipei City, Taiwan
TEL:+886-2-2988-9598
FAX:+886-2-2985-0998
EMAIL:sales@c-var.com

