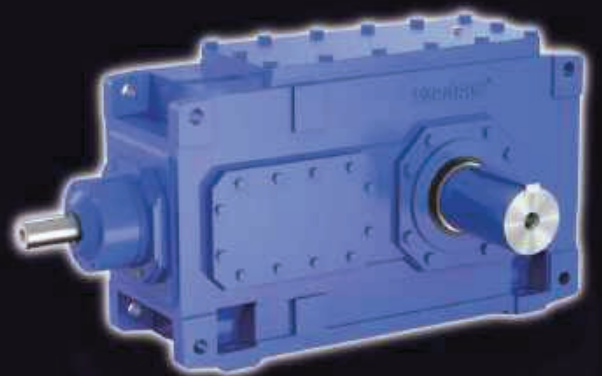


**VARITRON<sup>®</sup>**  
Take Control In Speed

**工業齒輪箱系列產品**  
*Industrial Helical Bevel Gearbox Series*



# VARITRON® Total Solution for Transmission Units

## 全方位的驅動產品服務

### Field and Maintenance Services 現場和維護服務

- Installation 現場安裝
- Commissioning 現場試車
- Inspection 檢查
- Preventive Maintenance 預防性的維護
- Corrective Maintenance 恢復性維護
- Special investigation 特別調查

### Training Services 教育訓練

### Support and Consulting Services 支援和諮詢服務

- Technical support 技術支援

## VARITRON® SERVICES 服務

### Spare Parts Services 零組件服務

- Asset optimization services  
備品優化建議
- Spare part and repair packages  
零組件和維修包
- Spare parts on demand  
充裕的零組件庫存

### Repair Services 維修服務

- Repair analysis  
檢修分析
- Standard repair  
維修
- General overhaul  
翻修

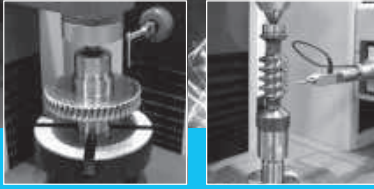
### Diagnostic Services 診斷服務

- Online diagnostic Services  
在線診斷服務
- Remote Diagnostic Services(iVaritron)  
雲端診斷服務
- Artificial intelligence equipment monitoring  
and management system(iVaritron)  
人工智慧設備監控管理系統

### Retrofit and Modernization Services 改造和翻新服務

- Modification of parameters  
修改參數規格
- One-to-one replacement of a state-of-the-  
art product  
逆向工程複製
- Replacement of a legacy product with a  
state-of-the-art product  
汰換更新





## Company Profile 公司簡介

「服務」、「品質」、「研發」是中國變速工程股份有限公司自1971年成立以來一直秉持的核心精神。為因應國際多元化的市場需求，我們不斷挑戰速度及品質的極限亦擁有領先且精密的技術，在近半世紀的努力下，終於從一家國內的減速機工廠蛻變為國際優秀的工業自動化領導品牌。

本公司生產之減速機種類多元，包含賽驅樂減速機、低背隙行星減速機、齒輪減速機、遊星式減速機、蝸輪減速機、無段變速機、攪拌機系列等等，其工業品上的應用更是跨足不同產業，從CNC自動化、汙水處理廠、造紙廠、機械手臂、半導體及到化工廠等等…。為了滿足客戶各項傳動需求，我們尚提供客製化技術，為客戶量身打造一套屬於自己的產品，為客戶節省更多測試及人力成本。

我們具有性能卓越的獨家技術、不斷研發的專利產品，同時還有完善的售前/後服務，才能讓本公司於眾多製造廠商中脫穎而出。

Service perfection, Quality superiority, Research and Development are the core enterprise spirits of VARITRON since 1971. Responding to both domestic customers and international market demands, we never stop to make innovation for gearbox function, efficiency and quality improvement, accompany with accurate and in-time after service. To improve quality control, VARITRON has been certified with ISO9001 since 2008.

Varitron wide power transmission product line including Cycloidal Drive, Precision Planetary Gearbox, Helical Gearmotor, Planetary Gear Reducers, Worm Gearbox, Variator and Induction Motor provides different industries sectors including CNC Machineries, Semi-conductor, Chemical, Steel Industries, Factory facilities, Automation Machineries, robo-tic arm With Varitron strong mechanical engineering team, Varitron provides customizes transmission gearbox and many newly innovated pattern products.

# Industrial Helical Bevel Gearbox

## 齒輪箱



**H Series Helical Gearbox**  
H 系列平行軸齒輪箱



**B Series Bevel-Helical Gearbox**  
B 系列直交軸齒輪箱

Power 功率	2.52~5366kW
Reduction Ratio 減速比	1/1.25~1/450
Output Speed 輸出轉速	1.7~1200rpm
Output Torque 輸出轉矩	Up to 最高1,400,000 Nm

Varitron Helical and Bevel-Helical Gear industrial gearbox series portfolio is by far the most comprehensive range of industrial gear units in the market. It includes a multifaceted range of universal gear units, application-specific gear units and customer-specific solutions. Today, our standardized industrial gear units are especially important due to their high level of availability, their quality and their attractive price-performance ratio. Our selection of universal gear unit designs is perfectly supplemented by a wide range of standard options such as motor connection flange, backstops and taconite seals. The gear units supporting horizontal and vertical mounting positions, they can also be installed on the front (base- or shaft-mounted gear units). The standardized connections offer flexibility in terms of mounting options, such as those required for temperature control or gearbox lubrication.

H B 系列工業齒輪箱系列是新型平行和直交軸齒輪箱，具有大功率大轉矩範圍，採用元件模數化設計，可臥式安裝也可立式安裝，有實心軸、空心軸和收縮盤空心軸輸出，應用範圍廣，採用高強度合金鋼滲碳處理後研磨，具有效率高，壽命長、可承受較大軸向力和徑向載荷、運行噪音低、可靠性高、結構緊湊等優點。

### Mounting

- Gearbox can be supplied for either horizontal or vertical installation.
- Other arrangements are possible on request.
- Input Motor flange or multiple output shafts can be customize.

### Low Noise

- Precision Gears machined, carburized and precision tooth grinding/skiving to ensure perfect tooth profile.
- Housing design to reduce resonance and noise absorbing
- Gears with large contact area design

### Thermal

- Housing design to increase thermal conduction areas
- High efficiency ventilation fans design (optional)
- Oil lubrication pump or force lubrication system (optional) for efficiency reducing heat to increase gearbox service life.

### 安裝設計

- 齒輪箱即可臥式安裝，也可立式安裝
- 特殊要求可採用其他安裝方式
- 多輸出軸、入力馬達法蘭可供選配

### 低噪音

- 齒輪採切削成型後滲碳處理後精加工研磨
- 齒輪箱本體採用透過降低共振及利用吸收噪音的結構設計
- 採用特大的齒面接觸比

### 齒輪箱散熱設計

- 加大齒輪箱體的表面散熱面積
- 採用大風扇及新型導流風扇罩(選購)
- 自潤系統(選購)或強制潤滑系統(選購)有效降低工作溫度提升齒輪箱效率



# CONTENTS 目錄

■ Reduction Ratio & Nominal Torque Overview 減速比與額定扭矩總覽	01
■ Code Description 常用代號說明	02
■ Model Selection 選型步驟	03~05
■ How to order 選型	06
■ Load Classifications Table 負載係數表	07~10
■ Model Selection Example 選型範例	11
■ Performances Table 性能表	12~36
(1) H Series Helical Parallel Shaft Gearbox H 系列平行軸斜齒輪	12~25
(2) B Series Bevel-Helical Right Angle Gearbox B 系列直交軸螺旋-斜齒輪	26~36
■ Rated Capacity Table 額定容量表	37~55
(1) H Series Helical Parallel Shaft Gearbox H 系列平行軸斜齒輪	37~46
(2) B Series Bevel-Helical Right Angle Gearbox B 系列直交軸螺旋-斜齒輪	47~55
■ Permissible Additional Radial Forces on Output Shaft 出力軸允許的附加徑向力	56~57
■ Arrangement Form and Direction of Rotation 布置型式及旋轉方向	58~61
■ Dimensions 外形尺寸	62~86
(1) HH Parallel Shaft Gearbox(Horizontal Installation) 平行軸齒輪箱(臥式安裝)	62~68
(2) BH Right Angle Shaft Gearbox(Horizontal Installation) 直交軸齒輪箱(臥式安裝)	69~74
(3) HV Parallel Shaft Gearbox(Vertical Installation) 平行軸齒輪箱(立式安裝)	75~80
(4) BV Right Angle Shaft Gearbox(Vertical Installation) 直交軸齒輪箱(立式安裝)	81~86
■ Output Shaft Connection Dimensions 輸出軸連接尺寸	87~92
(1) Hollow Output Shaft with Keyway 平鍵連接的空心軸	87
(2) Hollow Output Shaft with Shirk Disk 帶鎖緊盤連接的空心軸	88
(3) Hollow Output Shaft with involute Spline 帶花鍵連接的空心軸	89~90
(4) Flange Shaft 與法蘭軸連接的對接法蘭	91~92
■ Center Bore Thread Size on Shaft Side 軸端中心孔螺紋	93
■ Parallel Key and Keyways Dimensions 平鍵與鍵槽尺寸	94

# H Series Reduction Ratio & Nominal Output Torque Overview H 系列減速比與額定扭矩總覽

T<sub>2N</sub>(kN.m)

Nominal Ratio 公稱減速比 iN	H Gearbox sizes H 齒輪箱框號																				Type 型號	
	3	4	5	6	7	8	9	10	11	12	13	14	15	16	17	18	19	20	21	22		
1.25	2.9	-	8.0	-	15.2	-	24.7	-	-	-	-	-	-	-	-	-	-	-	-	-	-	H1
1.4	3.1	-	8.2	-	15.9	-	25.6	-	-	-	-	-	-	-	-	-	-	-	-	-	-	
1.6	3.3	-	8.6	-	16.3	-	27.1	-	46.0	-	67.4	-	-	-	-	-	-	-	-	-	-	
1.8	2.7	-	8.8	-	17.4	-	28.0	-	47.6	-	70.9	-	-	-	-	-	-	-	-	-	-	
2	2.8	-	9.4	-	17.8	-	28.7	-	49.1	-	72.9	-	129	-	-	-	-	-	-	-	-	
2.24	2.8	-	9.6	-	17.8	-	28.7	-	50.6	-	75.2	-	130	-	-	-	-	-	-	-	-	
2.5	2.9	-	9.6	-	17.8	-	28.7	-	50.6	-	77.0	-	117	-	-	-	-	-	-	-	-	
2.8	3.1	-	9.6	-	17.1	-	27.2	-	50.6	-	77.0	-	120	-	171	-	-	-	-	-	-	
3.15	3.1	-	9.6	-	17.4	-	28.1	-	48.1	-	73.1	-	124	-	173	-	-	-	-	-	-	
3.55	3.2	-	9.5	-	18.8	-	28.6	-	50.2	-	74.4	-	126	-	173	-	-	-	-	-	-	
4	3.2	-	9.6	-	17.8	-	28.7	-	50.6	-	75.7	-	130	-	173	-	245	-	-	-	-	
4.5	2.5	-	7.7	-	15.8	-	24.6	-	46.0	-	61.6	-	109	-	146	-	216	-	-	-	-	
5	2.4	-	7.2	-	13.8	-	23.5	-	38.7	-	58.3	-	95.0	-	124	-	174	-	-	-	-	
5.6	2.3	-	6.9	-	13.1	-	20.1	-	36.5	-	55.4	-	90.4	-	118	-	150	-	-	-	-	
6.3	-	6.3	10.7	-	20.3	-	33.7	-	59.3	-	86.0	-	143	-	195	-	292	-	410	-	-	
7.1	-	6.5	11.2	-	20.3	-	33.7	-	59.3	-	86.0	-	143	-	195	230	292	335	410	458	-	
8	-	6.7	11.2	13.5	20.3	25.6	33.7	42.2	59.3	73.8	86.0	107	143	160	195	230	292	335	410	458	H2	
9	-	6.7	11.2	14.4	20.3	25.6	33.7	42.2	59.3	73.8	86.0	107	143	160	195	230	292	335	410	458		
10	-	6.3	10.5	14.4	20.3	25.6	33.7	42.2	59.3	73.8	86.0	107	143	160	195	230	292	335	410	458		
11.2	-	6.3	10.6	14.4	20.3	25.6	33.7	42.2	59.3	73.8	86.0	107	143	160	195	230	292	335	410	458		
12.5	-	6.7	11.2	13.5	20.2	25.6	33.7	42.2	59.3	73.8	86.0	107	143	160	195	230	292	335	410	458		
14	-	6.7	11.2	13.5	20.3	25.6	33.7	42.2	59.3	73.8	86.0	107	143	160	195	230	292	335	410	458		
16	-	6.7	11.2	14.4	20.3	25.6	33.7	42.2	59.3	73.8	86.0	107	143	160	195	230	292	335	410	458		
18	-	6.3	10.5	14.4	19.0	25.6	33.7	42.2	59.3	73.8	86.0	107	143	160	195	230	292	335	410	458		
20	-	6.6	11.2	14.4	19.0	25.6	33.7	42.2	59.3	73.8	86.0	107	143	160	195	230	292	335	410	458		
22.4	-	6.3	10.9	13.5	19.8	24	33.1	42.2	58.3	73.8	88.0	107	153	160	200	230	300	335	420	458		
25	-	-	11.6	14.3	21.7	24	35.7	42.2	63.5	73.8	88.0	107	153	173	200	240	300	345	420	470	H3	
28	-	-	11.6	13.9	21.7	25	35.7	41.6	63.5	72.5	88.0	109	153	173	200	240	300	345	420	470		
31.5	-	-	11.6	15.5	21.7	27.2	35.7	43.8	63.5	77.2	88.0	109	153	173	200	240	300	345	420	470		
35.5	-	-	11.6	15.5	21.7	27.2	35.7	43.8	63.5	77.2	88.0	109	153	173	200	240	300	345	420	470		
40	-	-	11.6	15.5	21.7	27.2	35.7	43.8	63.5	77.2	88.0	109	153	173	200	240	300	345	420	470		
45	-	-	11.6	15.5	21.7	27.2	35.7	43.8	63.5	77.2	88.0	109	153	173	200	240	300	345	420	470		
50	-	-	11.6	15.5	21.7	27.2	35.7	43.8	63.5	77.2	88.0	109	153	173	200	240	300	345	420	470		
56	-	-	11.6	15.5	21.7	27.2	35.7	43.8	63.5	77.2	88.0	109	153	173	200	240	300	345	420	470		
63	-	-	11.6	15.5	21.7	27.2	35.7	43.8	63.5	77.2	88.0	109	153	173	200	240	300	345	420	470		
71	-	-	11.6	15.5	21.7	27.2	35.7	43.8	63.5	77.2	88.0	109	153	173	200	240	300	345	420	470		
80	-	-	11.6	15.5	21.7	27.2	35.7	43.8	63.5	77.2	88.0	109	153	173	200	240	300	345	420	470		
90	-	-	11.6	15.5	20.0	27.2	34.5	43.8	63.5	77.2	88.0	109	153	173	200	240	290	345	410	470		
100	-	-	-	14.5	21.7	27.2	35.7	43.8	61.6	77.2	90.7	109	153	173	200	226	300	335	420	465		
112	-	-	-	15.0	21.7	25.2	35.7	42.8	61.6	77.2	90.7	109	153	173	200	240	300	345	420	470		
125	-	-	-	-	21.7	27.2	35.7	44.2	61.6	78.0	90.7	113	153	173	200	240	300	345	420	470	H4	
140	-	-	-	-	21.7	27.2	35.7	44.2	61.6	78.0	90.7	113	153	173	200	240	300	345	420	470		
160	-	-	-	-	21.7	27.2	35.7	44.2	61.6	78.0	90.7	113	153	173	200	240	300	345	420	470		
180	-	-	-	-	21.7	27.2	35.7	44.2	61.6	78.0	90.7	113	153	173	200	240	300	345	420	470		
200	-	-	-	-	21.7	27.2	35.7	44.2	61.6	78.0	90.7	113	153	173	200	240	300	345	420	470		
224	-	-	-	-	21.7	27.2	35.7	44.2	61.6	78.0	90.7	113	153	173	200	240	300	345	420	470		
250	-	-	-	-	21.7	27.2	35.7	44.2	61.6	78.0	90.7	113	153	173	200	240	300	345	420	470		
280	-	-	-	-	21.7	27.2	35.7	44.2	61.6	78.0	90.7	113	153	173	200	240	300	345	420	470		
315	-	-	-	-	21.7	27.2	35.7	44.2	61.6	78.0	90.7	113	153	173	200	240	300	345	420	470		
355	-	-	-	-	19.6	27.2	35.7	44.2	61.6	78.0	90.7	113	140	173	-	240	290	345	410	470		
400	-	-	-	-	-	27.2	-	44.2	-	78.0	-	113	-	158	-	223	-	335	-	465		
450	-	-	-	-	-	25.3	-	42.8	-	78.0	-	113	-	-	-	-	-	-	-	-		

\*For Higher gear ratio or larger model, contact Varitron® or your sales personal.如需更高減速比或馬力請洽中國變速。

## B Series Reduction Ratio &amp; Nominal Output Torque Overview B 系列減速比與額定扭矩總覽

Nominal Ratio 公稱減速比 iN	B Gearbox sizes B 齒輪箱程式																	T <sub>2N</sub> (kN.m)			
	4	5	6	7	8	9	10	11	12	13	14	15	16	17	18	19	20	21	22	Type 型號	
5	6.1	9.4	-	19	-	29.9	-	46	-	68.6	-	122	-	-	-	-	-	-	-	-	B2
5.6	6.2	9.4	-	19	-	29.9	-	48.1	-	69.6	-	122	135	195	-	-	-	-	-	-	B2
6.3	6.2	9.4	12	19	23.8	29.9	38	50.2	58.8	73.8	85.2	130	141	195	-	-	-	-	-	-	B2
7.1	6.2	9.4	12	19	23.8	29.9	38	52.4	60.9	75.9	87.3	132	145	195	230	-	-	-	-	-	B2
8	6.2	9.4	12	19	23.8	29.9	38	54	63.1	80.0	91.5	132	148	195	230	-	-	-	-	-	B2
9	6.2	9.4	12	19	23.8	29.9	38	54	66.3	81.1	94.6	132	148	195	230	-	-	-	-	-	B2
10	6.2	9.4	12	19	23.8	29.9	38	54	66.3	81.1	98.8	132	148	195	230	-	-	-	-	-	B2
11.2	6.2	9.4	12	19	23.8	29.9	38	54	66.3	81.1	101	132	148	195	230	-	-	-	-	-	B2
12.5	5.5	9.4	12	17	23.8	28	38	52.4	66.3	79.5	101	132	148	195	230	250	-	340	-	-	B3
14	6	9.8	12	18.2	23.8	29.5	38	56.7	66.3	81.6	101	137	148	195	230	262	295	360	405	-	B3
16	6.6	10.5	12	19.8	21.5	31	35.6	59.9	66.3	83.8	99.4	142	154	200	230	275	308	380	422	-	B3
18	6.7	11.3	12.6	21.1	23.1	33.9	37.5	62	69.5	86.7	102	148	160	200	240	288	320	400	438	-	B3
20	6.7	11.6	13.2	21.7	26.5	35.7	39.3	63.5	72.7	90.7	105	153	167	200	240	300	332	420	455	-	B3
22.4	6.7	11.6	14.2	21.7	27.2	35.7	41.8	63.5	75.6	90.7	108	153	173	200	240	300	345	420	470	-	B3
25	6.7	11.6	15.5	21.7	27.2	35.7	43.8	63.5	77.2	90.7	113	153	173	200	240	300	345	420	470	-	B3
28	6.7	11.6	15.5	21.7	27.2	35.7	43.8	63.5	77.2	90.7	113	153	173	200	240	300	345	420	470	-	B3
31.5	6.7	11.6	15.5	21.7	27.2	35.7	43.8	63.5	77.2	90.7	113	153	173	200	240	300	345	420	470	-	B3
35.5	6.7	11.6	15.5	21.7	27.2	35.7	43.8	63.5	77.2	90.7	113	153	173	200	240	300	345	420	470	-	B3
40	6.7	11.6	15.5	21.7	27.2	35.7	43.8	63.5	77.2	90.7	113	153	173	200	240	300	345	420	470	-	B3
45	6.7	11.6	15.5	21.7	27.2	35.7	43.8	63.5	77.2	90.7	113	153	173	200	240	300	345	420	470	-	B3
50	6.7	11.6	15.5	21.7	27.2	35.7	43.8	63.5	77.2	90.7	113	153	173	200	240	300	345	420	470	-	B3
56	6.7	11.6	15.5	21.7	27.2	35.7	43.8	63.5	77.2	90.7	113	153	173	200	240	300	345	420	470	-	B3
63	6.6	11.4	15.5	21.4	27.2	35.7	43.8	63.5	77.2	90.7	113	153	173	200	240	300	345	420	470	-	B3
71	6.6	11	15.5	20	27.2	34	43.8	60	77.2	90.7	113	153	173	200	240	300	345	420	470	-	B3
80	-	11.6	14	21.7	26.9	35.7	43.8	61.6	77.2	90.7	113	153	173	200	240	300	345	420	470	-	B4
90	-	11.6	14	21.7	25.2	35.7	43	61.6	75	90.7	113	153	173	200	240	300	345	420	470	-	B4
100	-	11.6	15.5	21.7	27.2	35.7	44.2	61.6	78	90.7	113	153	173	200	240	300	345	420	470	-	B4
112	-	11.6	15.5	21.7	27.2	35.7	44.2	61.6	78	90.7	113	153	173	200	240	300	345	420	470	-	B4
125	-	11.6	15.5	21.7	27.2	35.7	44.2	61.6	78	90.7	113	153	173	200	240	300	345	420	470	-	B4
140	-	11.6	15.5	21.7	27.2	35.7	44.2	61.6	78	90.7	113	153	173	200	240	300	345	420	470	-	B4
160	-	11.6	15.5	21.7	27.2	35.7	44.2	61.6	78	90.7	113	153	173	200	240	300	345	420	470	-	B4
180	-	11.6	15.5	21.7	27.2	35.7	44.2	61.6	78	90.7	113	153	173	200	240	300	345	420	470	-	B4
200	-	11.6	15.5	21.7	27.2	35.7	44.2	61.6	78	90.7	113	153	173	200	240	300	345	420	470	-	B4
224	-	11.6	15.5	21.7	27.2	35.7	44.2	61.6	78	90.7	113	153	173	200	240	300	345	420	470	-	B4
250	-	11.6	15.5	21.7	27.2	35.7	44.2	61.6	78	90.7	113	153	173	200	240	300	345	420	470	-	B4
280	-	11.6	15.5	21.7	27.2	35.3	44.2	61.6	78	90.7	113	153	173	200	240	300	345	420	470	-	B4
315	-	11.2	15.5	20.5	27.2	34	44.2	60	78	90.7	113	153	173	200	240	300	345	420	470	-	B4
355	-	-	15.5	-	26.5	-	44.2	-	78	-	113	-	173	-	240	-	345	-	470	-	B4
400	-	-	14.5	-	25.5	-	43	-	75	-	113	-	-	-	-	-	-	-	-	-	B4

\*For Higher gear ratio or larger model, contact Varitron® or your sales personal.如需要高減速比或馬力請洽中國變速。

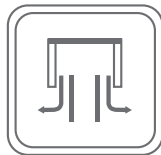


## Code Description 常用代號說明

Code 代號	Description 說明	Unit 單位	
i	實際減速比	Fact Ratio	
i <sub>N</sub>	公稱減速比	Nominal ratio	
i <sub>ex</sub>	精準減速比	Accurate ratio	
T <sub>2</sub>	輸出扭矩	Output torque	Nm
T <sub>2N</sub>	額定輸出扭矩	Rated output torque	Nm
T <sub>A</sub>	峰值扭矩	Peak torque factor	Nm
T <sub>n2atmax</sub>	在最高轉速時的額定輸出扭矩	Fastest speed rated output torque	Nm
T <sub>n2atmin</sub>	在最低轉速時的額定輸出扭矩	Lowest speed rated output torque	Nm
P <sub>1N</sub>	減速機額定輸入功率	Gearbox rated input power	kW
PG <sub>A</sub>	齒輪箱不含冷卻裝置的額定熱容量	Thermal capacity for gear units without auxiliary cooling	kW
PG <sub>B</sub>	齒輪箱含冷風扇的額定熱容量	Thermal capacity for gear units with fan cooling	kW
PG <sub>C</sub>	齒輪箱含冷卻盤管的額定熱容量	Thermal capacity for gear units with cooling coil	kW
PG <sub>D</sub>	齒輪箱含冷卻盤管和風扇的額定熱容量	Thermal capacity for gear units with cooling coil and fan	kW
P <sub>1</sub>	輸入功率	Power rating of driven machine	kW
P <sub>2</sub>	被驅動設備使用功率	Driven machine using power	kW
f <sub>1</sub>	負載係數與負載類別表	Recommended load classifications	
f <sub>2</sub>	原動機係數	Factor for prime mover	
f <sub>3</sub>	峰值負荷係數	Peak torque factor	
f <sub>4</sub>	環境溫度係數 (無輔助冷卻裝置或僅帶冷卻風扇)	Thermal factor (without auxiliary cooling or with fan cooling)	
f <sub>5</sub>	環境溫度係數 (含冷卻盤管和風扇)	Thermal factor (with cooling coil and fan cooling)	
f <sub>8</sub>	立式安裝齒輪箱供油係數	Vertical mounted applying oil factor of gearbox	
SF	齒輪箱安全係數	Gearbox service factor	
n <sub>1</sub>	輸入轉速	Input speed	r/min
n <sub>2</sub>	輸出轉速	Output speed	r/min
n <sub>2N</sub>	公稱輸出轉速	Nominal output speed	r/min
η	傳動效率	Efficiency	
Fr	徑向力	Radial Load	
F <sub>RZ2</sub>	允許的外部徑向力	Permissible external radial force	
F <sub>R2</sub>	允許的附加徑向力	Permissible additional radial force	
f	馬達頻率	Motor frequency	Hz
Um	馬達電壓	Motor voltage	V
ED	每小時工作週期	Operation cycle per hour	%

The nominal output torques specified in the catalog can be permanently transferred if the load direction is constant.

目錄中的額定輸出扭矩是指單一運轉平均負載時



Air plug  
通氣帽



Oil level indicator  
油位指示器



Oil filling hole  
注油孔



Oil drain hole  
放油孔

# Model Selection 選型步驟

Steps	Specification	Code	Calculate Parameter				
1	Determine machine service factor	$f_1$	Recommended Load Classifications Table Page 07~08				
2	Factor for prime mover	$f_2$	Electric motors, hydraulic motors, turbines	1.0			
			Piston engines 4-6 cylindes cyclic variation 1:100 to 1:200	1.25			
			Piston engines 1-3 cylindes cyclic variation up to 1:100	1.5			
3	Gearbox service factor	SF	See Page 05 SF table				
4	Position of input and output	H、B	H: Parallel shaft B: Right-angled shaft				
5	Efficiency	$\eta$	Single stage: 96%, 2-stage: 94%, 3-stage: 94%,4-stage: 92%				
6	Input speed	$n_1$	$\leq 1800r/min$ (Contact Varitron for higher speed)				
7	Determine ratio	$i$	$i = n_1/n_2$				
8	Determine input power	$P_1$	$P_1 = T_2 \cdot n_1 / (9500 \cdot i \cdot \eta)$ or $P_1 = P_2 / \eta$				
9	By calculation determine type in reference to transmission table (Page 12~36)	$T_{2N}$ 、 $P_{1N}$	$T_{2N} \geq T_2 \cdot f_1 \cdot f_2 \cdot SF$ $P_{1N} \geq P_1 \cdot f_1 \cdot f_2 \cdot SF$ If not meet: $3.33 \cdot P_1 \geq P_{1N}$ (Contact Varitron® or your sales personal)				
10	Check for Peak (maximum) torque*	$T_A$	$P_{1N} \geq T_A \cdot n_1 \cdot f_3 / 9550$	$f_3$ Peak torque factor per hour			
				Steady direction of lead	0.5	0.65	0.7
			Alternating direction of lead	0.7	0.95	1.1	1.25
11	Verify intensity of shaft	Fr、Fa	When the input and output shaft is the pulley, sprocket, or gear, etc. When there was an obvious additional radial force transmission Must check the radial force.( Page 56~57)				
12	Determine lubrication method and lubrication oil (see attachment)	Horizontal Installing		Vertical Installing			
		Immersion, splash, forces lubrication: 1) Splash lubrication 2) Dip lubrication 3) Forced lubrication a. Shaft end pump lubrication b. Motor oil pump lubrication c. Users should bring along their own thin oi terminal lubrication.		A: Immersion, B: Pump-force lubrication 1) Dip lubrication 2) Forced lubrication a. Shaft end pump lubrication b. Motor oil pump lubrication c. Users should bring along their own thin oi terminal lubrication			
13	Cooling Method	1. Adequate gear units without auxiliary cooling, if: $P_1 \leq PG_A \times f_4 \times f_8$ 2. Adequate for gear units with fan cooling, if: $P_1 \leq PG_B \times f_4 \times f_8$ 3. Adequate for gear units with fitted cooling coil, if: $P_1 \leq PG_C \times f_5 \times f_8$ 4. Adequate for gear units with fitted cooling coil and fan, if: $P_1 \leq PG_D \times f_5 \times f_8$ 5. Gearbox can be installed with cooling system: fan system, water system and cycle oil system( $f_4$ , $f_5$ , $f_8$ refer to Page 05)					
14	Confirm item up to model expressing	Model expressing sample refer to Page 06					

\* Peak torque(Maximum torque): maximum starting torque or maximum breaking torque

Selection 選型步驟



gear.fyi/shb



# Model Selection 選型步驟

序號	說明	代號	參數計算
1	選定安全係數	$f_1$	查負載係數與負載類別表 9~10 頁
2	原動機係數	$f_2$	馬達、油壓馬達，汽輪機
			4-6 缸活塞發動機、週期變化 1:100 至 1:200
			1-3 缸活塞發動機、週期變化 1:100
3	齒輪箱可靠安全係數選擇	SF	齒輪箱可靠安全係數表 05 頁
4	齒輪箱型式	H、B	平行軸: H 系列, 直角軸: B 系列
5	齒輪箱傳動效率	$\eta$	二段 2-stage: 96%, 三段 3-stage: 94%, 四段 4-stage: 92%
6	輸入轉速	$n_1$	$\leq 1800r/min$ (更高轉速請洽 VARITRON)
7	計算減速比	$i$	$i = n_1 / n_2$
8	以被驅動設備所需的扭矩或功率， 確認齒輪箱輸入功率	$P_1$	$P_1 = T_2 n_1 / (9500 \cdot i \cdot \eta)$ 或 $P_1 = P_2 / \eta$
9	根據計算，查傳動能力表(Page 12~36)， 確定齒輪箱規格	$T_{2N}$ 、 $P_{1N}$	$T_{2N} \geq T_2 \cdot f_1 \cdot f_2 \cdot SF$ 或 $P_{1N} \geq P_1 \cdot f_1 \cdot f_2 \cdot SF$ 如果不滿足條件： $3.33 \cdot P_1 \geq P_{1N}$ ，請洽 VARITRON
10	峰值扭矩 校核 (最大負載扭矩是指啟動、制動或最大脈動載荷一起的最大扭矩。(一般工況下峰值扭矩為啟動或制動時的最大扭矩))	$T_A$	$P_{1N} \geq T_A \cdot n_1 \cdot f_3 / 9550$
			$f_3$ 每小時峰值負荷次數
			單向負荷
11	選定型號後確定齒輪箱徑向力是否足夠	Fr	當輸入、輸出軸鏈接為皮帶輪、鏈輪或齒輪等明顯有附加徑向力傳動時，必須校核徑向力。56~57 頁
			變動方向負荷
12	確定潤滑方式	臥式安裝	
		立式安裝	
13	確定冷卻方式	可供選擇的潤滑方式：	
		可供選擇的潤滑方式	
14	按型號表示方法確定各項	型號表示方法見 06 頁	

\*峰值扭矩(最大負載扭矩): 指啟動、制動或最大脈動載荷一起的最大扭矩

# Model Selection 選型步驟

<b>SF</b> Gearbox Service Factor 齒輪箱可靠安全係數	*this is not the final Service Factor for the whole gearbox *此表安全係數不指最終整台安全係數需求
General equipment, after gear unit failure only caused by single machine production, and replacement parts is easy, loss is smaller 一般設備，齒輪箱停機後僅僅引起單機停產，並且更換零部件比較容易，損失較小。	1.0 ≤ SF ≤ 1.3
Important equipment, after gear unit failure making production line or plant shutdown, outage loss is larger 重要設備，齒輪箱停機後使生產線或者全廠停工，停機事故損失比較大。	1.3 < SF ≤ 1.5
High reliability requirements, after gear unit failure may cause significant production accident, cause great economic loss, as well as personal life 高可靠性要求，齒輪箱停機後可能造成重大停產事故，造成極大的經濟損失，以及人身生命事故	1.5 < SF

<b>f<sub>4</sub></b> Ambient Thermal Factor 環境溫度係數	Without auxiliary cooling or with cooling fan 無輔助冷卻裝置或強製冷卻風				
Ambient temperature 環境溫度	Operating cycle per hour(ED)in% 每小時工作週期(ED)百分比%				
	100	80	60	40	20
10°C	1.11	1.31	1.60	2.14	3.64
20°C	1.00	1.18	1.44	1.93	3.28
30°C	0.88	1.04	1.27	1.70	2.89
40°C	0.75	0.89	1.08	1.45	2.46
50°C	0.63	0.74	0.74	1.22	2.07

Note: Working circle 工作週期 ED:  $ED = \frac{tf}{tf+tr} \times 100\%$  tf: Work time with load 帶負載的工作時間; tr: Down time 停歇時間

<b>f<sub>5</sub></b> Ambient Thermal Factor 環境溫度係數	For cooling with cooling coil and fan cooling 含冷卻盤管和風扇				
Ambient temperature 環境溫度	Operating cycle per hour(ED)in% 每小時工作週期(ED)百分比%				
	100	80	60	40	20
10°C	1.05	1.23	1.50	2.03	3.41
20°C	1.00	1.17	1.43	1.93	3.25
30°C	0.93	1.09	1.33	1.79	3.02
40°C	0.87	1.02	1.24	1.68	2.83
50°C	0.81	0.95	1.16	1.56	2.63

Note: Working circle 工作週期 ED:  $ED = \frac{tf}{tf+tr} \times 100\%$  tf: Work time with load 帶負載的工作時間; tr: Down time 停歇時間

<b>f<sub>8</sub></b> Oil supply factor for vertical gear units. 立式安裝齒輪箱供油係數	*For horizontal gear units f <sub>8</sub> =1.0; forced lubrication f <sub>8</sub> =1.05 *對於臥式安裝齒輪箱 f <sub>8</sub> =1.0; 當採用強制潤滑時, f <sub>8</sub> =1.05				
Gear unit type 齒輪箱類型	Oil supply 供油方式	Without auxiliary cooling 無輔助冷卻裝置	With cooling fan 冷卻風扇	With cooling coil 冷卻盤管	With cooling fan and cooling coil 風扇和冷卻盤管
H2..VH3..V	Dip lubrication 浸油潤滑	0.95	*	0.95	*
H4..V	Forced lubrication 強制潤滑	1.15	*	1.05	*
B2..V,B3..V	Dip lubrication 浸油潤滑	0.95	0.95	0.95	0.95
B4..V	Forced lubrication 強制潤滑	1.15	1.10	1.10	1.10

\* Contact Varitron®, or your sales personal 請洽中國變速

# How to order 選型

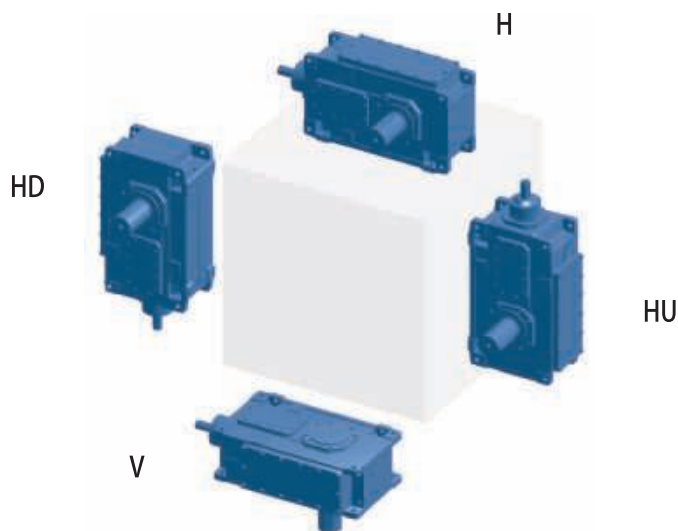
## B 2 S H 10 - 12.5 - A - CW - SM

① ② ③ ④ ⑤ ⑥ ⑦ ⑧ ⑨ Options 選配

①	Model 型式	H: Helical Parallel Shaft Gearbox B: Bevel-Helical Right Angle Gearbox	平行軸斜齒輪 直交軸螺旋齒輪-斜齒輪
②	Stages 段數	1, 2, 3, 4	
③	Output Shaft Design 出力軸形式	S: Solid Shaft 實心軸 H: Hollow Shaft 空心軸 D: Hollow Shaft with Shrink Disk 帶鎖緊盤空心軸 K: Spline Hollow Shaft 花鍵空心軸 F: Flanged Shaft 法蘭軸	
④	Mounting 安裝方式	H: Horizontal Installing 臥式 V: Vertical Installing 立式	
⑤	Frame Size 框號	Size 1~26 號	
⑥	Nominal Ratio 公稱傳動比	$i_N = 12.5 \sim 450$	
⑦	Design for Assemble 裝配佈置形式	A, B, C, D, ... Refer to Page 58~61. 參考第 58~61 頁	
⑧	Direction of Rotation of Input Shaft 出力軸旋轉方向	Viewing from input shaft 面對入力軸方向看: CW: Clockwise 順時針方向      CCW: Counter clockwise 逆時針方向	
⑨	Suffix 特殊 (Options 選配)	Empty if non: 無記號: 無特殊      SM: Smart Monitoring 智能監控 BS: Back Stop 止逆器      S: Special 特殊 R1: Heavy Radial 高徑向軸承      EN: Encoder 編碼器 GB: Fan Cooling 冷卻風扇      GC: Cooling coil 冷卻盤管 GD: Cooling Coil and Fan 冷卻盤管和冷卻風扇      AM: Input Motor Flange 入力法蘭 CT: Compensation Tank 補償油箱 FP: Flanged Pump Force Lub. 法蘭泵強制潤滑 MP: Motor Pump Force Lub. 電動泵強制潤滑 VM: Volumetric Flow Measuring 強制潤滑油流量監測	

※ Dimensions and specifications in the catalog are subject to change without notice. 尺寸及規格若有變動，將不另行通知。

## Mounting 安裝方式 ④



Video 影片



gear.fyi/vhb

Catalog 目錄



gear.fyi/gbc

Manual 保養手冊



gear.fyi/mbc

# Load Classifications Table 負載係數表

## f<sub>1</sub> Recommended Load Classifications Table

Application	Daily Operation (Hour)			Application	Daily Operation (Hour)		
	≤2	2~10	>10		≤2	2~10	>10
<b>Waste water treatment</b>				<b>Conveyors</b>			
Thickeners(central drive)	-	-	1.2	Bucket conveyors	-	1.4	1.5
Filter presses	1.0	1.3	1.5	Hauling winches	1.4	1.6	1.6
Flocculation apparata	0.8	1.0	1.3	Hoists	-	1.5	1.8
Aerators	-	1.8	2.0	Belt conveyors ≤150KW	1.0	1.2	1.3
Raking equipment	1.0	1.2	1.3	Belt conveyors ≥150KW	1.1	1.3	1.4
Screw pumps	-	1.3	1.5	Goods lifts*	-	1.2	1.5
<b>Raking equipment</b>				Passenger lifts*	-	1.5	1.8
Compound raking device	-	1.3	1.5	Apron conveyors	-	1.2	1.5
Pre-thickeners	-	1.3	1.5	Escalators	1.0	1.2	1.4
Screw pumps	-	1.1	1.3	Rail traveling gears	-	1.5	-
Water turbines	-	-	2.0	Frequency converters	-	1.8	2.0
<b>Pump</b>				Reciprocating compressors	-	1.8	1.9
Centrifugal pumps	1.0	1.2	1.3	<b>Cranes**</b>			
<b>Positive-displacement Pump</b>				Slewing gears*		1.4	1.8
1 piston	1.3	1.4	1.8	Luffing gears		1.1	1.4
>1 piston	1.2	1.4	1.5	Traveling gears	-	1.6	2.0
<b>Dredgers</b>				Hoisting gears		1.1	1.4
Bucket conveyors	-	1.6	1.6	Derricking jib Cranes		1.2	1.6
Dumping calenders	-	1.3	1.5	<b>Cooling towers</b>			
Crawler walking mechanism	1.2	1.6	1.8	Cooling tower fans	-	-	2.0
<b>Bucket wheel excavators</b>				Blowers(axial and radial)	-	1.4	1.5
For pick up	-	1.7	1.7	<b>Food industry</b>			
For primitive material	-	2.2	2.2	<b>Cane sugar production</b>			
Cutter machine	-	2.2	2.2	Cane knives*	-	-	1.7
Traversing gears*	-	1.4	1.8	Cane mills	-	-	1.7
<b>Plate bending machines</b>	-	1.0	1.0	<b>Beet sugar production</b>			
<b>Chemical industry</b>				Beet cossetes macerators	-	-	1.2
Extruders	-	-	1.6	Extractions plants, Mechanical refrigerators, Juice boilers	-	-	1.4
Dough mills	-	1.8	1.8	Sugar beet washing machines	-	-	1.5
Rubber calenders	-	1.5	1.5	Sugar beet cutting machinese	-	-	1.5
Cooling drums	-	1.3	1.4	<b>Paper machines</b>			
<b>Mixers for</b>				All-kinds of**	-	1.8	2.0
uniform media	1.0	1.3	1.4	Pulper drives		On request	
on- uniform media	1.4	1.6	1.7	<b>Centrifugal compressors</b>	-	1.4	1.5
<b>Agitator for media with</b>				<b>Cableways</b>			
uniform density	1.2	1.4	1.6	Material ropeways	-	1.3	1.4
non-uniform gas absorption	1.4	1.6	1.8	To and fro system aerial ropeways	-	1.6	1.8
<b>Toasters</b>	1.0	1.3	1.5	T-bar lifts	-	1.3	1.4
<b>Centrifuges</b>	1.0	1.2	1.3	Continuous ropeways	-	1.4	1.6

# Load Classifications Table 負載係數表

**f<sub>1</sub> Recommended Load Classifications Table**

Application	Daily Operation (Hour)			Application	Daily Operation (Hour)		
	≤2	2~10	>10		≤2	2~10	>10
<b>Metal working mills</b>				<b>Cement industry</b>			
plate tilers	1	1	1.2	concrete mixers	-	1.5	1.5
ingot pushes	1	1.2	1.2	breaks*	-	1.2	1.4
winding machines	-	1.6	1.6	rotary kilns	-	1.5	1.8
cooling bed transfer frames	-	1.5	1.5	tube mills	-	-	2.0
roller straighteners	-	1.6	1.6	separators	-	1.6	1.6
<b>Roller tables</b>				roll crushers	-	-	2.0
continuous	-	1.5	1.5	<b>Wood industry</b>			
intermittent	-	2.0	2.0	peeling machine	1.25	1.25	1.5
reversing tube mills	-	1.8	1.8	feed drive	1.25	1.25	1.5
<b>Shears</b>				main drive	1.75	1.75	1.75
continuous*	-	1.5	1.5	<b>Transporter</b>			
crank type*	1	1	1	burner, repeatedly saw turret-style	1.25	1.25	1.5
<b>continuous casting drivers</b>				Transshipment transport main load, heavy load	1.5	1.5	1.5
	-	1.4	1.4	the main log, billet	1.75	1.75	2.0
<b>Rolls</b>				<b>Conveyor chain</b>			
reversing blooming mills	-	2.5	2.5	floor	1.5	1.5	1.5
reversing slabbing mills	-	2.5	2.5	green timber	1.5	1.5	1.75
reversing wire mills	-	1.8	1.8	<b>Cutting chain</b>			
reversing sheet mills	-	2.0	2.0	sawing transmission, traction	1.5	1.5	1.75
reversing plate mills	-	1.8	1.8	Peeling drum	1.75	1.75	2.0
roll adjustment drives	0.9	1	-	<b>Feed drive</b>			
<b>Rubber industry</b>				edging, wood trimmer planer feeder, assorting table Automatic tilt lifting	1.25	1.25	1.5
Continuous strong interior mixer Mixing mill, Partial discharge grinding machine, refiner(except Double-ray roller), rubber calendars	1.5	1.5	1.5	Multiaxial feeder, log Moving and rotating Moving	1.75	1.75	1.75
Double roller gripping feed and Mixing mill	1.25	1.25	1.5	charging tray, Veneer lathe transmission conveyor chain, lifting type	1.5	1.5	1.75
Batch type strong interior mixer, Double-ray roller type single grooved roller crusher heater, Double-ray roller partial discharge grinding machine	1.75	1.75	1.75	<b>Plastic industry</b>			
Corrugated roller crusher	2.0	2.0	2.0	Mill, Compound grinding,coating,film, conveyer tube, pull rod Slim	1.25	1.25	1.25
<b>Generator and exciter</b>				continuous mixer, calender, membrane blowing, plasticizing	1.5	1.5	1.5
	1.0	1.0	1.25	batch-type mixer	1.75	1.75	1.75
<b>Hammer crusher</b>							
	1.75	1.75	2.0				
<b>Sand mill</b>							
	1.25	1.25	1.5				

Note:1. Design for Driven machine using power P<sub>2</sub>  
 \*) Designed power corresponding to max. torque  
 \*\*) The reality service factor refers to exactly classified.  
 \*\*\*) A check for thermal capacity is absolutly essential.

2. The listed factors are empirical values. Prerequisite for their application is that the machinery and equipment mentioned corresponding to generally accepted design and load specification. In case fo deviations from standard conditions, contact Varitron or your sales personal.  
 3. For driven machines which are not listed in this table, contact Varitron or your sales personal.

## Load Classifications Table 負載係數表

f<sub>1</sub> 負載係數與負載類別表

應用方式	日常運轉時間 (小時)			應用方式	日常運轉時間 (小時)		
	≤2	2~10	>10		≤2	2~10	>10
污水處理				輸送機械			
濃縮器 (中心傳動)	-	-	1.2	鬥式輸送機	-	1.4	1.5
壓濾機	1.0	1.3	1.5	絞車	1.4	1.6	1.6
絮凝器	0.8	1.0	1.3	捲揚機	-	1.5	1.8
曝氣機	-	1.8	2.0	皮帶輸送機≤150KW	1.0	1.2	1.3
搜集設備	1.0	1.2	1.3	皮帶輸送機≥150KW	1.1	1.3	1.4
螺桿泵	-	1.3	1.5	貨用電梯*	-	1.2	1.5
搜集設備				客用電梯*	-	1.5	1.8
合式搜集裝置	-	1.3	1.5	刮板式輸送機	-	1.2	1.5
濃縮器	-	1.3	1.5	自動扶梯	1.0	1.2	1.4
螺桿泵	-	1.1	1.3	軌道行走機構	-	1.5	-
水輪機	-	-	2.0	變頻裝置	-	1.8	2.0
泵				往復式壓縮機	-	1.8	1.9
離心泵	1.0	1.2	1.3	起重機械**			
容積式泵				回轉機構*		1.4	1.8
1 個活塞	1.3	1.4	1.8	俯仰機構		1.1	1.4
>1 個活塞	1.2	1.4	1.5	行走機構	-	1.6	2.0
挖泥機				提升機構		1.1	1.4
鬥式輸送機	-	1.6	1.6	轉臂式起重機		1.2	1.6
傾斜裝置	-	1.3	1.5	冷卻塔			
履帶式行走機構	1.2	1.6	1.8	冷卻塔風扇	-	-	2.0
鬥式挖掘機				風機(軸流和離心式)	-	1.4	1.5
用於撿拾	-	1.7	1.7	食品工業			
用於粗斜	-	2.2	2.2	蔗糖生產			
切碎機	-	2.2	2.2	甘蔗切碎機*	-	-	1.7
行走機構*	-	1.4	1.8	甘蔗碾磨機	-	-	1.7
彎板機	-	1.0	1.0	甜菜糖生產			
化學工業				甜菜鉸碎機	-	-	1.2
擠壓機	-	-	1.6	榨取機、機械製冷機、蒸餾機	-	-	1.4
調漿機	-	1.8	1.8	甜菜清洗機	-	-	1.5
橡膠研光機	-	1.5	1.5	甜菜切碎機	-	-	1.5
冷卻圓筒	-	1.3	1.4	造紙機械			
混料機，用於				各種類型***	-	1.8	2.0
均勻介質	1.0	1.3	1.4	碎漿機驅動裝置		根據使用者要求供貨	
非均勻介質	1.4	1.6	1.7	離心式壓縮機	-	1.4	1.5
攪拌機，用於密度				索道纜車			
均勻介質	1.2	1.4	1.6	運貨索道	-	1.3	1.4
不均勻氣體吸收	1.4	1.6	1.8	往返系統空中索道	-	1.6	1.8
烘爐	1.0	1.3	1.5	T 型杆升降機	-	1.3	1.4
離心機	1.0	1.2	1.3	連續索道	-	1.4	1.6

# Load Classifications Table 負載係數表

$f_1$  負載係數與負載類別表

應用方式	日常運轉時間 (小時)			應用方式	日常運轉時間 (小時)		
	≤2	2~10	>10		≤2	2~10	>10
金屬加工設備				水泥工業			
翻板機	1	1	1.2	混凝土攪拌器	-	1.5	1.5
推鋼機	1	1.2	1.2	破碎機*	-	1.2	1.4
繞線機	-	1.6	1.6	回轉窯	-	1.5	1.8
冷床橫移架	-	1.5	1.5	管式磨機	-	-	2.0
輓式矯直機	-	1.6	1.6	選粉機	-	1.6	1.6
輓道				輓壓機*	-	-	2.0
連續式	-	1.5	1.5	木材工業			
間歇式	-	2.0	2.0	剝皮機	1.25	1.25	1.5
可逆式軋管機	-	1.8	1.8	進給傳動	1.25	1.25	1.5
剪切機				主傳動	1.75	1.75	1.75
連續式*	-	1.5	1.5	運送機			
曲柄式*	1	1	1	燃燒器、反復鋸、轉塔式、轉運輸送	1.25	1.25	1.5
連鑄機驅動裝置	-	1.4	1.4	主要載荷、重載	1.5	1.5	1.5
軋機				主原木、地坯	1.75	1.75	2.0
可逆式開還機	-	2.5	2.5	輸送鏈			
可逆式板坯軋機	-	2.5	2.5	地板	1.5	1.5	1.75
可逆式線材軋機	-	1.8	1.8	生材	1.5	1.5	1.75
可逆式薄板軋機	-	2.0	2.0	切割鏈			
可逆式中厚板軋機	-	1.8	1.8	鋸傳動、牽引	1.5	1.5	1.75
輓縫調節驅動裝置	0.9	1	-	剝皮筒	1.75	1.75	2.0
橡膠工業				進給傳動			
連續式強力內式拌合機、混合軋機、分批下料碾磨機、(雙光棍式除外) 精煉機、壓延機	1.5	1.5	1.5	軋邊、修木、刨床進給、分類台、自動傾斜升降	1.25	1.25	1.5
雙棍式夾持近給，及混合碾磨機	1.25	1.25	1.5	多軸送進、原木搬運和旋轉搬運	1.75	1.75	1.75
分批式強力內式拌合機雙光棍式單槽紋棍碾磨機加熱器、雙光棍式分批下料碾磨機	1.75	1.75	1.75	料盤、膠合板車床傳動、輸送鏈、起重式	1.5	1.5	1.75
波形棍式碾磨機	2.0	2.0	2.0	塑膠工業			
發電機和勵磁機	1.0	1.0	1.25	碾磨機、複式磨、塗料、塗膜、輸送管、拉杆、薄型	1.25	1.25	1.25
錘式破碎機	1.75	1.75	2.0	連續混合機、壓延機、吹膜、欲塑化	1.5	1.5	1.5
砂碾機	1.25	1.25	1.5	分批混合機	1.75	1.75	1.75

注：1.被驅動設備使用功率  $P_2$  的確定：

- \*) 按最大的扭矩確定額定功率。
- \*\*) 實際的服務係數應根據準確的載荷分類進行選擇，具體可諮詢我司。
- \*\*\*) 檢驗熱容量是絕對必要的。

2.所列各項係數均為經驗值。使用這些係數的前提條件是，所述機械設備應符合通常的設計規範和載荷條件。

如遇特殊情況，請洽 Varitron。

3.對於那些未列入此表的工作機械，敬請垂詢。



# Model Selection Example 選型範例

Given Condition	已知條件
<b>Input Power:</b> Motor power: 90kW Motor speed: $n_1=1450$ r/min Max starting torque: $T_A=860$ N.m (Data supplied by user, Or calculated with 1.6 times the motor rated torque) <b>Driven machine (working machine):</b> Machine: Belt conveyor Speed: $n_2=33$ r/min Power: $P_2=72$ kW Service duration: 12h/day Start-up: 7 times/hour Working circle: 100% Ambient temperature: 40°C Installation: Outdoor Altitude: 500m <b>Gearbox:</b> Bevel Gear-helical gearbox, Horizontal design mounting, output solid shaft with Key C Arrangement of output shaft Rotary direction of output shaft: C.W.	<b>輸入功率:</b> 馬達功率: 90kW 馬達轉速: $n_1=1450$ r/min 最大啟動扭矩: $T_A=860$ N.m (由使用者提供資料, 如果無法提供則按照電機額定扭矩的 1.6 倍估算) <b>被驅動設備 (工作機):</b> 設備名稱: 皮帶輸送機 設備轉速: $n_2=33$ r/min 使用功率: $P_2=72$ kW 工作制: 12 小時/天 每小時啟動次數: 7 每小時工作週期: 100% 環境溫度: 40°C 安裝空間: 室外安裝 海拔高度: 500m <b>齒輪箱:</b> 螺旋錐齒輪-斜齒齒輪箱, 臥式安裝, 實心輸出軸平鍵, 軸佈置形式 C 輸出軸旋轉方向: 面向輸出軸順時針旋轉
Selecting Steps:	選型步驟:
<b>1. Calculate ratio:</b> $i = n_1 / n_2 = 1450/33 = 43.9$ $i_N = 45$ <b>2. Determine the rated power of gearbox:</b> $P_1 = P_2 / \eta = 72 / (94\%) = 76.6$ kW $P_{1N} \geq P_1 \cdot f_1 \cdot f_2 \cdot SF = 76.6 \times 1.3 \times 1 \times 1.4 = 139.4$ kW Refer to transmission capacity table B3 size 10, $P_{1N} = 146$ kW $3.33 \cdot P_1 = 3.33 \times 76.6 = 255.1$ kW $\geq P_{1N}$ <b>3. Verify peak torque:</b> $P_{1N} \geq T_A \cdot n_1 \cdot f_3 / 9550 = 860 \times 1450 \times 0.65 / 9550 = 84.9$ kW $P_{1N} = 146$ kW $\geq 84.9$ kW Meet the requirements <b>4. Verify thermal capacity:</b> $PG_A \cdot f_4 \cdot f_8 = 80.8 \times 0.75 \times 1 = 60.6$ kW $\leq P_1 = 76.6$ kW out of requirement $PG_B \cdot f_4 \cdot f_8 = 180 \times 0.75 \times 1 = 135$ kW $\geq P_1 = 76.6$ kW meets requirement Thus Gearbox with fan cooling is required <b>5. Others</b> According to the direction requirement of output shaft rotate and refer to Page 59~61 Input shaft rotate direction: C.W <b>6. Select model: B3SH10-C-CW with cooling device</b> *Refer to Page 2 for Code description 常用代號說明請參考第 2 頁	<b>1. 計算速比:</b> $i = n_1 / n_2 = 1450/33 = 43.9$ $i_N = 45$ <b>2. 確定齒輪箱的額定功率:</b> $P_1 = P_2 / \eta = 72 / (94\%) = 76.6$ kW $P_{1N} \geq P_1 \cdot f_1 \cdot f_2 \cdot SF = 76.6 \times 1.3 \times 1 \times 1.4 = 139.4$ kW 根據 B3 傳動能力表, 框號 10, $P_{1N} = 146$ kW $3.33 \cdot P_1 = 3.33 \times 76.6 = 255.1$ kW $\geq P_{1N}$ 滿足要求 <b>3. 峰值扭矩校核:</b> $P_{1N} \geq T_A \cdot n_1 \cdot f_3 / 9550 = 860 \times 1450 \times 0.65 / 9550 = 84.9$ kW $P_{1N} = 146$ kW $\geq 84.9$ kW 滿足要求 <b>4. 校核熱容量</b> $PG_A \cdot f_4 \cdot f_8 = 80.8 \times 0.75 \times 1 = 60.6$ kW $\leq P_1 = 76.6$ kW 不滿足要求 $PG_B \cdot f_4 \cdot f_8 = 180 \times 0.75 \times 1 = 135$ kW $\geq P_1 = 76.6$ kW 滿足要求 所以齒輪箱配置冷卻風扇可以滿足熱容量要求, <b>5. 其它</b> 根據輸出旋向要求 (順時針) 以及查 59~61 頁, 確定面對輸入軸看輸入軸旋向為 CW <b>6. 確定型號: B3SH10-C-CW 帶風扇</b>

# H1 Frame Size 框號: 3~11 Ratio 減速比: 1.25~5.6

H1 Series Helical Parallel Shaft Gearbox Performances Table H1 系列平行軸斜齒輪箱性能表

H1 Gearbox Size 齒輪箱框號 (H1SH3 / H1SV3 / H1HH3 / H1HV3 / H1DH3 / H1DV3 / H1KH3 / H1KV3 / H1FH3 / H1FV3)																	
Input Speed 輸入 轉速 n <sub>1</sub> (r/min)	Output Speed 輸出 轉速 n <sub>2N</sub> (r/min)	Nominal Ratio 公稱 減速比 i <sub>N</sub>	3			5			7			9			11		
			Nominal Output Torque 額定輸出 扭矩 T <sub>2N</sub> (kN.m)	Accurate Ratio 精準 減速比 i <sub>ex</sub>	Nominal Input Power 額定輸入 功率 P <sub>1N</sub> (kW)	Nominal Output Torque 額定輸出 扭矩 T <sub>2N</sub> (kN.m)	Accurate Ratio 精準 減速比 i <sub>ex</sub>	Nominal Input Power 額定輸入 功率 P <sub>1N</sub> (kW)	Nominal Output Torque 額定輸出 扭矩 T <sub>2N</sub> (kN.m)	Accurate Ratio 精準 減速比 i <sub>ex</sub>	Nominal Input Power 額定輸入 功率 P <sub>1N</sub> (kW)	Nominal Output Torque 額定輸出 扭矩 T <sub>2N</sub> (kN.m)	Accurate Ratio 精準 減速比 i <sub>ex</sub>	Nominal Input Power 額定輸入 功率 P <sub>1N</sub> (kW)	Nominal Output Torque 額定輸出 扭矩 T <sub>2N</sub> (kN.m)	Accurate Ratio 精準 減速比 i <sub>ex</sub>	Nominal Input Power 額定輸入 功率 P <sub>1N</sub> (kW)
1500	1200	1.25			364			1005			1909			3103			
1000	800		2.9	1.243	242	8	1.256	670	15.2	1.263	1273	24.7	1.27	2069	-	-	-
750	600				182			502			954			1551			
1500	1071	1.4			347			919			1783			2870			
1000	714		3.1	1.371	231	8.2	1.378	613	15.9	1.389	1188	25.6	1.4	1913	-	-	-
750	536				173			464			891			1435			
1500	938	1.6			324			844			1600			2661			4518
1000	625		3.3	1.594	215	8.6	1.588	562	16.3	1.606	1066	27.1	1.625	1773	46	1.636	3010
750	469				162			422			800			1330			2259
1500	833	1.8			235			767			1517			2442			4151
1000	556		2.7	1.829	157	8.8	1.839	512	17.4	1.774	1013	28	1.8	1630	47.6	1.806	2771
750	417				117			383			1,774			1221			2075
1500	750	2.0			219			738			1397			2253			3856
1000	500		2.8	2.0	146	9.4	2.034	492	17.8	1.966	931	28.7	2.0	1502	49.16	2.0	2570
750	375				109			369			698			1126			1928
1500	670	2.24			196			673			1248			2013			3549
1000	446		2.8	2.194	130	9.6	2.259	448	17.8	2.308	831	28.7	2.231	1340	50.6	2.222	2563
750	335				68			336			624			1006			1774
1500	600	2.5			182			603			1118			1803			3179
1000	400		2.9	2.536	121	9.6	2.52	402	17.8	2.583	745	28.7	2.5	1202	50.6	2.48	2119
750	300				91			301			559			901			1589
1500	536	2.8			173			538			959			1526			2839
1000	357		3.1	2.808	115	9.6	2.826	359	17.1	2.8	639	27.2	2.741	1016	50.6	2.783	1891
750	268				86			269			480			763			1419
1500	476	3.15			154			478			567			1400			2397
1000	317		3.1	3.125	102	9.6	3.19	318	17.4	3.13	577	28.1	3.208	932	48.1	3.08	1596
750	238				77			239			433			700			1198
1500	423	3.55			141			420			788			1266			2223
1000	282		3.2	3.5	94	9.5	3.591	280	17.8	3.524	525	28.6	3.591	844	50.2	3.478	1482
750	211				70			210			394			633			1112
1500	375	4			125			376			698			1126			1986
1000	250		3.2	3.95	83	9.6	4.05	251	17.8	4	465	28.7	4.05	751	50.6	3.905	1324
750	188				62			188			349			563			993
1500	333	4.5			87			268			550			857			1603
1000	222		2.5	4.435	58	7.7	4.619	178	15.8	4.4	367	24.6	4.381	571	46	4.421	1069
750	167				43			134			275			428			801
1500	300	5			75			226			433			738			1215
1000	200		2.4	4.952	50	7.2	4.9	150	13.8	4.905	289	23.5	4.947	492	38.7	5.15	810
750	150				37			113			217			369			608
1500	268	5.6			64			193			367			564			1024
1000	179		2.3	5.579	43	6.9	5.556	129	13.1	5.526	245	20.1	5.684	376	36.5	5.474	684
750	134				32			96			184			282			512

Note:   Forced lubrication required on horizontal gear units 注:   臥式安裝齒輪箱須採用強制潤滑  
Refer to Page 37 for Rated Thermal Capacity 請參考第 37 頁額定容量

# H1 Frame Size 框號: 13~19 Ratio 減速比: 1.25~5.6

**H1 Series Helical Parallel Shaft Gearbox Performances Table H1 系列平行軸斜齒輪箱性能表**

H1 Gearbox Size 齒輪箱框號 (H1SH13 / H1SV13 / H1HH13 / H1HV13 / H1DH13 / H1DV13 / H1KH13 / H1KV13 / H1FH13 / H1FV13)														
Input Speed 輸入 轉速 $n_1$ (r/min)	Output Speed 輸出 轉速 $n_{2N}$ (r/min)	Nominal Ratio 公稱 減速比 $i_N$	13			15			17			19		
			Nominal Output Torque 額定輸出 扭矩 $T_{2N}$ (kN.m)	Accurate Ratio 精準 減速比 $i_{ex}$	Nominal Input Power 額定輸入 功率 $P_{1N}$ (kW)	Nominal Output Torque 額定輸出 扭矩 $T_{2N}$ (kN.m)	Accurate Ratio 精準 減速比 $i_{ex}$	Nominal Input Power 額定輸入 功率 $P_{1N}$ (kW)	Nominal Output Torque 額定輸出 扭矩 $T_{2N}$ (kN.m)	Accurate Ratio 精準 減速比 $i_{ex}$	Nominal Input Power 額定輸入 功率 $P_{1N}$ (kW)	Nominal Output Torque 額定輸出 扭矩 $T_{2N}$ (kN.m)	Accurate Ratio 精準 減速比 $i_{ex}$	Nominal Input Power 額定輸入 功率 $P_{1N}$ (kW)
1800	1440	1.25	-	-	-	-	-	-	-	-	-	-	-	-
1500	1200		-	-	-	-	-	-	-	-	-	-	-	-
1000	800		-	-	-	-	-	-	-	-	-	-	-	-
750	600		-	-	-	-	-	-	-	-	-	-	-	-
1800	1286	1.4	-	-	-	-	-	-	-	-	-	-	-	-
1500	1071		-	-	-	-	-	-	-	-	-	-	-	-
1000	714		-	-	-	-	-	-	-	-	-	-	-	-
750	536		-	-	-	-	-	-	-	-	-	-	-	-
1800	1125	1.6	67.4	1.588	-	-	-	-	-	-	-	-	-	-
1500	938		-	-	4410	-	-	-	-	-	-	-	-	-
1000	625		-	-	3308	-	-	-	-	-	-	-	-	-
750	469		-	-	-	-	-	-	-	-	-	-	-	-
1800	1000	1.8	70.9	1.839	-	-	-	-	-	-	-	-	-	-
1500	833		-	-	4127	-	-	-	-	-	-	-	-	-
1000	556		-	-	3095	-	-	-	-	-	-	-	-	-
750	417		-	-	-	-	-	-	-	-	-	-	-	-
1800	900	2.0	72.9	2.034	-	-	-	-	-	-	-	-	-	-
1500	750		-	-	3816	-	-	-	-	-	-	-	-	-
1000	500		-	-	2862	-	-	-	-	-	-	-	-	-
750	375		-	-	-	-	-	-	-	-	-	-	-	-
1800	804	2.24	75.2	2.259	-	-	-	-	-	-	-	-	-	-
1500	670		-	-	3511	-	-	-	-	-	-	-	-	-
1000	446		-	-	2633	-	-	-	-	-	-	-	-	-
750	335		-	-	-	-	-	-	-	-	-	-	-	-
1800	720	2.5	77	2.52	4837*	117	2481	4900	-	-	-	-	-	-
1500	600		-	-	3225	-	-	3675	-	-	-	-	-	-
1000	400		-	-	2419	-	-	-	-	-	-	-	-	-
750	300		-	-	-	-	-	-	-	-	-	-	-	-
1800	643	2.8	77	2.826	4321	120	2476	4485	-	-	-	-	-	-
1500	536		-	-	2878	-	-	3364	-	-	-	-	-	-
1000	357		-	-	2158	-	-	-	-	-	-	-	-	-
750	268		-	-	4370*	-	-	-	-	-	-	-	-	-
1800	571	3.15	73.1	3.208	3643	124	3.087	4116	-	-	-	-	-	-
1500	476		-	-	2426	-	-	3087	-	-	-	-	-	-
1000	317		-	-	1821	-	-	-	-	-	-	-	-	-
750	238		-	-	3949	-	-	-	-	-	-	-	-	-
1800	507	3.55	74.4	3.591	3295	126	3.476	3720	-	-	-	-	-	-
1500	423		-	-	2196	-	-	2790	-	-	-	-	-	-
1000	282		-	-	1647	-	-	-	-	-	-	-	-	-
750	211		-	-	3567*	-	-	-	-	-	-	-	-	-
1800	450	4.0	75.7	4.05	2972	130	3.947	3403	173	3.947	4528	-	-	-
1500	375		-	-	1981	-	-	2552	-	-	3396	-	-	-
1000	250		-	-	1486	-	-	-	-	-	-	-	-	-
750	188		-	-	2580*	-	-	4565*	-	-	-	-	-	-
1800	400	4.5	61.6	4.619	2147	109	4.579	3800	146	4.526	3393	-	-	-
1500	333		-	-	1431	-	-	2533	-	-	2545	-	-	-
1000	222		-	-	1073	-	-	1900	-	-	-	-	-	-
750	167		-	-	2197*	-	-	3581*	-	-	4674*	-	-	*
1800	360	5.0	58.3	4.9	1831	95	5.1	2984	124	4.9	3895*	174	4.95	3643
1500	300		-	-	1220	-	-	1959	-	-	2596	-	-	2732
1000	200		-	-	915	-	-	1492	-	-	1947	-	-	-
750	150		-	-	1862*	-	-	3038*	-	-	3966*	-	-	*
1800	321	5.6	55.4	5.556	1554	90.4	5.778	2536	118	5.556	3311*	150	5.7	4209
1500	268		-	-	1038	-	-	1694	-	-	2211	-	-	2811
1000	179		-	-	778	-	-	1268	-	-	1658	-	-	2108
750	134		-	-	-	-	-	-	-	-	-	-	-	-

Note:   Forced lubrication required on horizontal gear units 注:   臥式安裝齒輪箱須採用強制潤滑  
Refer to Page 38 for Rated Thermal Capacity 請參考第 38 頁額定容量

# H2 Frame Size 框號: 4~9 Ratio 減速比: 6.3~28

## H2 Series Helical Parallel Shaft Gearbox Performances Table H2 系列平行軸斜齒輪箱性能表

H2 Gearbox Size 齒輪箱框號 (H2SH4 / H2SV4 / H2HH4 / H2HV4 / H2DH4 / H2DV4 / H2KH4 / H2KV4 / H2FH4 / H2FV4)																					
Input Speed 輸入 轉速 n <sub>1</sub> (r/min)	Output Speed 輸出 轉速 n <sub>2N</sub> (r/min)	Nominal Ratio 公稱 減速比 i <sub>N</sub>	4			5			6			7			8			9			
			Nominal Output Torque 額定輸出 扭矩 T <sub>2N</sub> (kN.m)	Accurate Ratio 精準 減速比 i <sub>ex</sub>	Nominal Input Power 額定輸入 功率 P <sub>1N</sub> (kW)	Nominal Output Torque 額定輸出 扭矩 T <sub>2N</sub> (kN.m)	Accurate Ratio 精準 減速比 i <sub>ex</sub>	Nominal Input Power 額定輸入 功率 P <sub>1N</sub> (kW)	Nominal Output Torque 額定輸出 扭矩 T <sub>2N</sub> (kN.m)	Accurate Ratio 精準 減速比 i <sub>ex</sub>	Nominal Input Power 額定輸入 功率 P <sub>1N</sub> (kW)	Nominal Output Torque 額定輸出 扭矩 T <sub>2N</sub> (kN.m)	Accurate Ratio 精準 減速比 i <sub>ex</sub>	Nominal Input Power 額定輸入 功率 P <sub>1N</sub> (kW)	Nominal Output Torque 額定輸出 扭矩 T <sub>2N</sub> (kN.m)	Accurate Ratio 精準 減速比 i <sub>ex</sub>	Nominal Input Power 額定輸入 功率 P <sub>1N</sub> (kW)	Nominal Output Torque 額定輸出 扭矩 T <sub>2N</sub> (kN.m)	Accurate Ratio 精準 減速比 i <sub>ex</sub>	Nominal Input Power 額定輸入 功率 P <sub>1N</sub> (kW)	
1800	286	6.3			188			320						607						1009	
1500	238		6.3	6.319	157	10.7	6.286	266	-				20.3	6.088	505	-			33.7	6.26	839
1000	159				104			178							337						561
750	119				78			133							378						420
1800	254	7.1			172			297						539						896	
1500	211		6.5	6.857	143	11.2	7.213	247	-				7.04	7.048	448	-			33.7	7.247	744
1000	141				95			165							299						497
750	106				71			124							224						372
1800	225	8			157			263						478			603			793	
1500	188		6.7	7.778	131	11.2	7.889	220	13.5	7.792	265	20.3	7.799	399	25.6	7.676	503	33.7	8.018	663	
1000	125				87			146			176			265			335			441	
750	94				65			110			132			200			251			330	
1800	200	9			140			234						425			536			705	
1500	167		6.7	8.485	117	11.2	8.652	195	14.4	8.94	251	20.3	8.66	354	25.6	8.887	447	33.7	8.904	589	
1000	111				77			130			167			235			297			391	
750	83				58			97			125			176			223			293	
1800	180	10			118			197						382			482			635	
1500	150		6.3	9.722	98	10.5	10.002	164	14.4	9.778	226	20.3	9.66	318	25.6	9.833	402	33.7	9.932	529	
1000	100				65			109			150			212			268			352	
750	75				49			82			112			159			201			264	
1800	161	11.2			106			178						342			431			568	
1500	134		6.3	10.694	88	10.6	11.075	148	14.4	10.724	202	20.2	10.648	284	25.6	10.92	359	33.7	11.138	472	
1000	89				58			98			134			189			238			314	
750	67				43.5			74			100			142			178			235	
1800	144	12.5			101			168						304			386			508	
1500	120		6.7	12.444	84	11.2	12.326	140	13.5	12.397	168	20.3	11.807	227	25.6	12.18	321	33.7	12.574	423	
1000	80				56			93			113			169			214			282	
750	60				42			70			85			126			160			211	
1800	129	14			90			151						274			345			455	
1500	107		6.7	13.865	75	11.2	13.806	125	13.5	13.726	151	20.3	13.939	227	25.6	13.426	286	33.7	14.152	377	
1000	71				49			83			100			150			190			250	
750	54				37			62.5			75			113			142			187	
1800	113	16			79			132						240			301			398	
1500	94		6.7	15.556	65	11.2	15.581	110	14.4	15.278	141	20.3	15.717	199	25.6	14.887	250	33.7	15.962	331	
1000	63				44			73			94			133			168			222	
750	47				33			55			70			100			125			166	
1800	100	18			65			109						198			268			352	
1500	83		6.3	17.602	54	10.5	17.493	91	14.4	17.111	125	19	17.598	165	25.6	17.576	222	33.7	18.204	292	
1000	56				36			61			84			111			150			197	
750	42				27			46			63			82			111			146	
1800	90	20			62			105						179			241			317	
1500	75		6.6	19.444	51	11.2	19.534	87	14.4	19.311	113	19	19.742	149	25.6	19.817	201	33.7	19.312	264	
1000	50				34			58			75			99			134			176	
750	38				25.5			43			56			74			100			132	
1800	80	22.4			52			91						165			201			277	
1500	67		6.3	22.037	44	10.9	22.006	76	13.5	21.681	94	19.8	20.982	138	24	22.189	168	33.7	21.895	232	
1000	45				29			51			63			93			113			155	
750	33				22			38			47			70			84			116	
1800	72	25						107						180							
1500	60		-			Refer H3 Series Page 18 請參考 H3 系列第 18 頁					89	14.3	24.212	89	Refer H3 Series Page 18 請參考 H3 系列第 18 頁	24	24.892	150	33.1	21.895	232
1000	40								59					44			75			116	
750	30								44					44			75			116	
1800	64	28						93						167							
1500	54		-			Refer H3 Series Page 18 請參考 H3 系列第 18 頁					78	13.9	27.275	78	Refer H3 Series Page 18 請參考 H3 系列第 18 頁	25	26.456	141	Refer H3 Series Page 18 請參考 H3 系列第 18 頁		232
1000	36								52					52			94			155	
750	27								39					39			70			116	

Refer to Page 39 for Rated Thermal Capacity 請參考第 39 頁額定容量

# H2 Frame Size 框號: 10~15 Ratio 減速比: 6.3~28

## H2 Series Helical Parallel Shaft Gearbox Performances Table H2 系列平行軸斜齒輪箱性能表

H2 Gearbox Size 齒輪箱框號 (H2SH10 / H2SV10 / H2HH10 / H2HV10 / H2DH10 / H2DV10 / H2KH10 / H2KV10 / H2FH10 / H2FV10)																						
Input Speed 輸入 轉速 n <sub>1</sub> (r/min)	Output Speed 輸出 轉速 n <sub>2N</sub> (r/min)	Nominal Ratio 公稱 減速比 i <sub>N</sub>	10		11		12		13		14		15									
			Nominal Output Torque 額定輸出 扭矩 T <sub>2N</sub> (kN.m)	Accurate Ratio 精準 減速比 i <sub>ex</sub>	Nominal Input Power 額定輸入 功率 P <sub>1N</sub> (kW)	Nominal Output Torque 額定輸出 扭矩 T <sub>2N</sub> (kN.m)	Accurate Ratio 精準 減速比 i <sub>ex</sub>	Nominal Input Power 額定輸入 功率 P <sub>1N</sub> (kW)	Nominal Output Torque 額定輸出 扭矩 T <sub>2N</sub> (kN.m)	Accurate Ratio 精準 減速比 i <sub>ex</sub>	Nominal Input Power 額定輸入 功率 P <sub>1N</sub> (kW)	Nominal Output Torque 額定輸出 扭矩 T <sub>2N</sub> (kN.m)	Accurate Ratio 精準 減速比 i <sub>ex</sub>	Nominal Input Power 額定輸入 功率 P <sub>1N</sub> (kW)	Nominal Output Torque 額定輸出 扭矩 T <sub>2N</sub> (kN.m)	Accurate Ratio 精準 減速比 i <sub>ex</sub>	Nominal Input Power 額定輸入 功率 P <sub>1N</sub> (kW)					
1800	286	6.3																			1775	
1500	238																					1477
1000	159					59.3	6246															987
750	119																					740
1800	254																					1577
1500	211	7.1																			1310	
1000	141					59.3	6.9															875
750	106																					655
1800	225	8																			1397	
1500	188																					1167
1000	125			42.2	7.848		59.3	7.644														776
750	94																					582
1800	200	9																			1241	
1500	167																					1036
1000	111			42.2	9.085		59.3	8.974														689
750	83																					518
1800	180																					1117
1500	150	10																			931	
1000	100			42.2	10.053		59.3	10.046														620
750	75																					465
1800	161	11.2																			999	
1500	134																					832
1000	89			42.2	11.163		59.3	10.889														552
750	67																					414
1800	144	12.5																			894	
1500	120																					745
1000	80			42.2	12.452		59.3	12.174														496
750	60																					372
1800	129																					801
1500	107	14																			664	
1000	71			42.2	13.964		59.3	13.704														440
750	54																					330
1800	113																					701
1500	94	16																			583	
1000	63			42.2	15.765		59.3	15.556														391
750	47																					293
1800	100																					620
1500	83		18																			515
1000	56			42.2	17.743		59.3	17.11														347
750	42																					260
1800	90	20																			558	
1500	75																					465
1000	50			42.2	20.012		59.3	19.074														310
750	38																					232
1800	80																					488
1500	67	22.4																			296	
1000	45			42.2	22.824		58.3	21.491														198
750	33																					148
1800	72	25																			318	
1500	60																					265
1000	40			42.2	24.212		Refer H3 Series Page 19 請參考 H3 系列第 19 頁															176
750	30																					131
1800	64																					278
1500	54	28																			135	
1000	36			41.6	27.451		Refer H3 Series Page 19 請參考 H3 系列第 19 頁															156
750	27																					117

Note:   Forced lubrication required on horizontal gear units 注:   臥式安裝齒輪箱須採用強制潤滑

Refer to Page 40 for Rated Thermal Capacity 請參考第 40 頁額定容量



H2 Series Helical Parallel Shaft Gearbox Performances Table H2 系列平行軸斜齒輪箱性能表

H2 Gearbox Size 齒輪箱框號 (H2SH 16 / H2SV16 / H2HH 16 / H2HV16 / H2DH 16 / H2DV16 / H2KH 16 / H2KV16 / H2FH 16 / H2FV16)																						
Input Speed 輸入轉速 n <sub>1</sub> (r/min)	Output Speed 輸出轉速 n <sub>2N</sub> (r/min)	Nominal Ratio 公稱減速比 i <sub>N</sub>	16		17		18		19		20		21									
			Nominal Output Torque 額定輸出扭矩 T <sub>2N</sub> (kN.m)	Accurate Ratio 精準減速比 i <sub>ex</sub>	Nominal Input Power 額定輸入功率 P <sub>1N</sub> (kW)	Nominal Output Torque 額定輸出扭矩 T <sub>2N</sub> (kN.m)	Accurate Ratio 精準減速比 i <sub>ex</sub>	Nominal Input Power 額定輸入功率 P <sub>1N</sub> (kW)	Nominal Output Torque 額定輸出扭矩 T <sub>2N</sub> (kN.m)	Accurate Ratio 精準減速比 i <sub>ex</sub>	Nominal Input Power 額定輸入功率 P <sub>1N</sub> (kW)	Nominal Output Torque 額定輸出扭矩 T <sub>2N</sub> (kN.m)	Accurate Ratio 精準減速比 i <sub>ex</sub>	Nominal Input Power 額定輸入功率 P <sub>1N</sub> (kW)	Nominal Output Torque 額定輸出扭矩 T <sub>2N</sub> (kN.m)	Accurate Ratio 精準減速比 i <sub>ex</sub>	Nominal Input Power 額定輸入功率 P <sub>1N</sub> (kW)					
1800	286	6.3	-	-	-	-	-	-	-	-	-	-	-	-	-	-	-	-	-	-	-	
1500	238		-	-	-	-	-	-	-	-	-	-	-	-	-	-	-	-	-	-	-	-
1000	159		-	-	-	195	61.54	4859	-	-	-	-	-	-	-	-	-	-	-	410	6.5	-
750	119		-	-	-	-	-	3246	-	-	-	-	-	6.41	-	-	-	-	-	-	-	-
1800	254		-	-	-	-	-	2434	-	-	-	-	-	-	-	-	-	-	-	-	-	-
1500	211	7.1	160	7.316	3769*	-	-	-	-	-	-	-	-	-	-	-	-	-	-	-	-	
1000	141		-	-	3535	195	7.125	4308	230	7.147	-	-	-	-	-	-	-	-	-	-	-	-
750	106		-	-	2362	-	-	2879	-	-	3395	292	7.1	-	4311	335	7.3127	4946	-	410	7.2	-
1800	225		-	-	1771	-	-	2159	-	-	2546	-	-	-	3233	-	-	3709	-	-	-	-
1500	188		-	-	3769*	-	-	4594*	-	-	-	-	-	-	-	-	-	-	-	-	-	-
1000	125	8	160	8.076	3149	195	8.755	3838	230	8.274	4527	292	7.889	-	-	-	-	-	-	-	-	
750	94		-	-	2094	-	-	2552	-	-	3010	-	-	3821	335	8.1	4384	-	410	8	-	
1800	200		-	-	1571	-	-	1914	-	-	2257	-	-	2866	-	-	3288	-	-	-	-	
1500	167		-	-	3350*	-	-	4083*	-	-	4816*	-	-	-	-	-	-	-	-	-	-	-
1000	111		9	160	8.941	2797	195	8.755	3409	230	9.155	4021	292	8.799	-	-	-	-	-	-	-	-
750	83	-		-	1859	-	-	2266	-	-	2673	-	-	3393	335	9	3893	-	410	8.923	4765	
1800	180	-		-	1394	-	-	1700	-	-	2005	-	-	2545	-	-	2920	-	-	-	-	3574
1500	150	-		-	3015*	-	-	3675*	-	-	4335*	-	-	-	-	-	-	-	-	-	-	-
1000	100	10		160	9.935	2513	195	9.765	3062	230	10.167	3612	292	9.788	4586	335	10.038	3507	-	410	9.926	4293
750	75		-	-	1675	-	-	2041	-	-	2405	-	-	2293	-	-	2630	-	-	-	-	3220
1800	161		-	-	1256	-	-	1531	-	-	1806	-	-	2293	-	-	2630	-	-	-	-	-
1500	134		-	-	2697*	-	-	3287*	-	-	3877*	-	-	4922*	-	-	-	-	-	-	-	-
1000	89		11.2	160	11.087	2245	195	12.432	2736	230	11.34	3227	292	10.887	4097*	335	11.167	4700*	-	410	11.04	3820
750	67	-		-	1491	-	-	1817	-	-	2143	-	-	2721	-	-	3121	-	-	-	-	2865
1800	144	-		-	1118	-	-	1363	-	-	1607	-	-	2040	-	-	2340	-	-	-	-	-
1500	120	-		-	2412*	-	-	2940*	-	-	3468*	-	-	4402*	-	-	-	-	-	-	-	-
1000	80	12.5		160	12.44	2010	195	12.432	2450	230	12.717	2890	292	12.176	3669	335	12.42	4209*	-	410	12.348	3434
750	60		-	-	1340	-	-	1633	-	-	1926	-	-	2446	-	-	2806	-	-	-	-	2575
1800	129		-	-	1005	-	-	1255	-	-	1444	-	-	1752	-	-	2104	-	-	-	-	-
1500	107		-	-	2161*	-	-	2634*	-	-	3106*	-	-	3944*	-	-	4525*	-	-	-	-	-
1000	71		14	160	13.769	1792	195	13.915	2184	230	14.438	2576	292	13.712	3271	335	13.891	3753	-	410	13.905	4593*
750	54	-		-	1189	-	-	1449	-	-	1709	-	-	2170	-	-	2490	-	-	-	-	3048
1800	113	-		-	892	-	-	1087	-	-	1281	-	-	1627	-	-	1867	-	-	-	-	2286
1500	94	-		-	1893*	-	-	2307*	-	-	2721*	-	-	3455*	-	-	3963*	-	-	-	-	4851*
1000	63	16		160	15.55	1574	195	15.694	1919	230	16.159	2263	292	15.57	2874	335	15.643	3297	-	410	15.789	4035
750	47		-	-	1055	-	-	1286	-	-	1517	-	-	1926	-	-	2209	-	-	-	-	2704
1800	100		-	-	791	-	-	964	-	-	1178	-	-	1444	-	-	1657	-	-	-	-	2028
1500	83		-	-	1675*	-	-	2041*	-	-	2408*	-	-	3057*	-	-	3507*	-	-	-	-	4293*
1000	56		18	160	17.457	1390	195	17.899	1694	230	18.225	1998	292	18.061	2537	335	17.763	2911	-	410	18.316	3563*
750	42	-		-	938	-	-	1143	-	-	1348	-	-	1712	-	-	1954	-	-	-	-	2404
1800	90	-		-	703	-	-	857	-	-	1011	-	-	1284	-	-	1473	-	-	-	-	1803
1500	75	-		-	1507*	-	-	1837*	-	-	2167*	-	-	2751*	-	-	3157*	-	-	-	-	3863*
1000	50	20		160	19.765	1256	195	18.988	1531	230	20.786	1806	292	20.117	2293	335	20.605	2630	-	410	20.4	3219*
750	38		-	-	837	-	-	1020	-	-	1204	-	-	1528	-	-	1753	-	-	-	-	2146
1800	80		-	-	628	-	-	765	-	-	903	-	-	1146	-	-	1315	-	-	-	-	1609
1500	67		-	-	1340*	-	-	1926*	-	-	2296*	-	-	2896*	-	-	3396*	-	-	-	-	4293*
1000	45		22.4	160	23.024	1122	Refer H3 Series Page 20 請參考 H3 系列第 20 頁	Refer H3 Series Page 20 請參考 H3 系列第 20 頁	1613	230	22.05	1613	Refer H3 Series Page 20 請參考 H3 系列第 20 頁	Refer H3 Series Page 20 請參考 H3 系列第 20 頁	2058	335	22.95	2350	Refer H3 Series Page 20 請參考 H3 系列第 20 頁	410	Refer H3 Series Page 20 請參考 H3 系列第 20 頁	2146
750	33	-		-	565	-	-	812	-	-	964	-	-	1216	-	-	1444	-	-	-	-	2028
1800	72	-		-	-	-	-	-	-	-	-	-	-	-	-	-	-	-	-	-	-	-
1500	60	25		-	-	-	-	-	-	-	-	-	-	-	-	-	-	-	-	-	-	-
1000	40			-	-	-	-	-	-	-	-	-	-	-	-	-	-	-	-	-	-	-
750	30		-	-	-	-	-	-	-	-	-	-	-	-	-	-	-	-	-	-	-	-
1800	64	28	-	-	-	-	-	-	-	-	-	-	-	-	-	-	-	-	-	-	-	
1500	54		-	-	-	-	-	-	-	-	-	-	-	-	-	-	-	-	-	-	-	-
1000	36		-	-	-	-	-	-	-	-	-	-	-	-	-	-	-	-	-	-	-	-
750	27		-	-	-	-	-	-	-	-	-	-	-	-	-	-	-	-	-	-	-	-

Note:   Forced lubrication required on horizontal gear units 注:   臥式安裝齒輪箱須採用強制潤滑  
Refer to Page 41 for Rated Thermal Capacity 請參考第 41 頁額定容量

# H2 Frame Size 框號: 22~26 Ratio 減速比: 6.3~28

H2 Series Helical Parallel Shaft Gearbox Performances Table H2 系列平行軸斜齒輪箱性能表

H2 Gearbox Size 齒輪箱框號 (H2SH22 / H2SV22 / H2HH22 / H2HV22 / H2DH22 / H2DV22 / H2KH22 / H2KV22 / H2FH22 / H2FV22)																	
Input Speed 輸入 轉速 n <sub>1</sub> (r/min)	Output Speed 輸出 轉速 n <sub>2N</sub> (r/min)	Nominal Ratio 公稱 減速比 i <sub>N</sub>	22			23			24			25			26		
			Nominal Output Torque 額定輸出 扭矩 T <sub>2N</sub> (kN.m)	Accurate Ratio 精準 減速比 i <sub>ex</sub>	Nominal Input Power 額定輸入 功率 P <sub>1N</sub> (kW)	Nominal Output Torque 額定輸出 扭矩 T <sub>2N</sub> (kN.m)	Accurate Ratio 精準 減速比 i <sub>ex</sub>	Nominal Input Power 額定輸入 功率 P <sub>1N</sub> (kW)	Nominal Output Torque 額定輸出 扭矩 T <sub>2N</sub> (kN.m)	Accurate Ratio 精準 減速比 i <sub>ex</sub>	Nominal Input Power 額定輸入 功率 P <sub>1N</sub> (kW)	Nominal Output Torque 額定輸出 扭矩 T <sub>2N</sub> (kN.m)	Accurate Ratio 精準 減速比 i <sub>ex</sub>	Nominal Input Power 額定輸入 功率 P <sub>1N</sub> (kW)	Nominal Output Torque 額定輸出 扭矩 T <sub>2N</sub> (kN.m)	Accurate Ratio 精準 減速比 i <sub>ex</sub>	Nominal Input Power 額定輸入 功率 P <sub>1N</sub> (kW)
1800	286	6.3															
1500	238																
1000	159																
750	119																
1800	254	7.1			*			*			*			*			*
1500	211		7.265					7.038				7.059			6.915		7.232
1000	141																
750	106																
1800	225	8			*			*			*			*			*
1500	188		458	8.047				7.882				7.878			7.635		7.963
1000	125																
750	94																
1800	200	9			*			*			*			*			*
1500	167		458	8.941			540	8.868				8.824			8.915		8.795
1000	111																
750	83																
1800	180	10			*			*			*			*			*
1500	150		458	9.973			540	9.78			620	9.926			9.939		10.266
1000	100				4795												
750	75				3596												
1800	161	11.2			*			*			*			*			*
1500	134		458	11.094			540	10.878			620	10.948			780	11.141	11.445
1000	89				4268												
750	67				3201												
1800	144	12.5			*			*			*			*			*
1500	120		458	12.339			540	12.166			620	12.176			780	12.571	880 12.829
1000	80				3836												
750	60				2877												
1800	129	14			*			*			*			*			*
1500	107		458	13.801			540	13.7			620	13.619			780	13.394	880 14.476
1000	71				3405							4609					
750	54				2554							3456					
1800	113	16			*			*			*			*			*
1500	94		458	15.541			540	15.557			620	15.336			780	15.314	880 15.424
1000	63				4508*							4090					
750	47				3021							3067					
1800	100	18			4795*			*			*			*			*
1500	83		458	17.647			540	17.839			620	17.415			780	17.082	880 17.634
1000	56				3980*							3635				4573	
750	42				2685							2726				3430	
1800	90	20			4316*			*			*			*			*
1500	75		458	20.471			540	19.312			620	19.969			780	19.218	880 19.671
1000	50				3596*							4869*				4083	
750	38				2397							3246				3062	
1800	80	22.4			3836-			*			*			*			*
1500	67		458	22.8			540	22.8			620	21.618			780	22.129	880 22.129
1000	45				3213*							4349*					4146
750	33				2158							2921					3109
1800	72	25			1618			*			*			*			*
1500	60																
1000	40																
750	30																
1800	64	28						*			*			*			*
1500	54																
1000	36																
750	27																

\* Larger model available, contact Varitron® or your sales personal. 如需更大型號，請洽中國變速。



# H3 Frame Size 框號: 5~9 Ratio 減速比: 22.4~112

## H3 Series Helical Parallel Shaft Gearbox Performances Table H3 系列平行軸斜齒輪箱性能表

H3 Gearbox Size 齒輪箱框號 (H3SH5 / H3SV5 / H3HH5 / H3HV5 / H3DH5 / H3DV5 / H3KH5 / H3KV5 / H3FH5 / H3FV5)																		
Input Speed 輸入 轉速 n <sub>1</sub> (r/min)	Output Speed 輸出 轉速 n <sub>2N</sub> (r/min)	Nominal Ratio 公稱 減速比 i <sub>N</sub>	5			6			7			8			9			
			Nominal Output Torque 額定輸出 扭矩 T <sub>2N</sub> (kN.m)	Accurate Ratio 精準 減速比 i <sub>ex</sub>	Nominal Input Power 額定輸入 功率 P <sub>1N</sub> (kW)	Nominal Output Torque 額定輸出 扭矩 T <sub>2N</sub> (kN.m)	Accurate Ratio 精準 減速比 i <sub>ex</sub>	Nominal Input Power 額定輸入 功率 P <sub>1N</sub> (kW)	Nominal Output Torque 額定輸出 扭矩 T <sub>2N</sub> (kN.m)	Accurate Ratio 精準 減速比 i <sub>ex</sub>	Nominal Input Power 額定輸入 功率 P <sub>1N</sub> (kW)	Nominal Output Torque 額定輸出 扭矩 T <sub>2N</sub> (kN.m)	Accurate Ratio 精準 減速比 i <sub>ex</sub>	Nominal Input Power 額定輸入 功率 P <sub>1N</sub> (kW)	Nominal Output Torque 額定輸出 扭矩 T <sub>2N</sub> (kN.m)	Accurate Ratio 精準 減速比 i <sub>ex</sub>	Nominal Input Power 額定輸入 功率 P <sub>1N</sub> (kW)	
1800	80	22.4	Refer H2 Series Page14 請參考 H2 系列第 14 頁															
1500	67																	
1000	45																	
750	33																	
1800	72	25	11.6	25.011	87	Refer H2 Series Page14 請參考 H2 系列第 14 頁			21.7	25.54	163	Refer H2 Series Page14 請參考 H2 系列第 14 頁			35.7	25.439	269	
1500	60				72	136	224											
1000	40				48	90	149											
750	30				36	68	112											
1800	64	28	11.6	28.49	77	Refer H2 Series Page14 請參考 H2 系列第 14 頁			21.7	27.711	145	Refer H2 Series Page14 請參考 H2 系列第 14 頁			35.7	29.187	239	
1500	54				65	122	201											
1000	36				43	81	134											
750	27				32	61	100											
1800	57	31.5	11.6	31.161	69	15.5	30.999	92	21.7	31.433	129	27.2	32.202	162	35.7	31.924	213	
1500	48				58			109			179							
1000	32				38			72			119							
750	24				29			54			89							
1800	51	35.5	11.6	34.177	61	15.5	35.312	82	21.7	34.291	115	27.2	34.94	145	35.7	35.013	190	
1500	42				51			95			157							
1000	28				34			63			104							
750	21				25.5			47			78							
1800	45	40	11.6	39.508	54	15.5	38.622	73	21.7	39.292	102	27.2	39.633	128	35.7	40.474	168	
1500	38				46			86			142							
1000	25				30			56			93							
750	18.8				23			43			71							
1800	40	45	11.6	43.745	48	15.5	42.36	64	21.7	43.221	90	27.2	43.236	113	35.7	44.816	149	
1500	33				40			74			123							
1000	22				26			49			82							
750	16.7				20			37			61.5							
1800	36	50	11.6	48.629	43	15.5	48.967	58	21.7	50.293	81	27.2	49.542	102	35.7	49.881	134	
1500	33				36			68			112							
1000	22				24			45			74							
750	15				18			34			56							
1800	32	56	11.6	54.532	38	15.5	54.22	51	21.7	56.033	72	27.2	54.496	91	35.7	55.866	119	
1500	27				32			61			100							
1000	17.8				21			40			66							
750	13.4				16			30			50							
1800	29	63	11.6	61.543	35	15.5	60.347	47	21.7	62.867	65	27.2	63.413	82	35.7	63.049	108	
1500	24				29			54			89							
1000	15.9				19			36			59							
750	11.9				14			27			44							
1800	25	71	11.6	69.745	30	15.5	67.589	40	21.7	71.139	56	27.2	70.651	71	35.7	70.787	93	
1500	21				25			34			78							
1000	14.1				17			22			52							
750	10.6				13			16.5			39							
1800	23	80	11.6	78.723	27	15.5	76.279	37	21.7	78.583	52	27.2	79.267	65	35.7	79.049	85	
1500	18.8				22			30			70							
1000	12.5				15			20			46							
750	9.4				11			15			35							
1800	20	90	11.6	86.806	24	15.5	86.44	32	20	89.061	41	27.2	89.696	56	34.5	89.05	72	
1500	16.7				20			27			60							
1000	11.1				13			18			40							
750	8.3				9.75			14			30							
1800	18	100	-	-	-	14.5	97.572	27	Refer H4 Series Page 22 請參考 H4 系列第 22 頁	27.2	99.083	51	Refer H4 Series Page 22 請參考 H4 系列第 22 頁	28	Refer H4 Series Page 22 請參考 H4 系列第 22 頁	28		
1500	15		22	15	21													
1000	10		15	11	17													
750	7.5		11	11	17													
1800	16.1	112	-	-	-	15	107.59	21	Refer H4 Series Page 22 請參考 H4 系列第 22 頁	25.2	112.294	35	Refer H4 Series Page 22 請參考 H4 系列第 22 頁	23	Refer H4 Series Page 22 請參考 H4 系列第 22 頁	23		
1500	13.4		13	13	17													
1000	8.9		10	10	17													
750	6.7		10	10	17													

Refer to Page 42 for Rated Thermal Capacity 請參考第 42 頁額定容量

# H3 Frame Size 框號: 10~15 Ratio 減速比: 22.4~112

## H3 Series Helical Parallel Shaft Gearbox Performances Table H3 系列平行軸斜齒輪箱性能表

H3 Gearbox Size 齒輪箱框號 (H3SH10/H3SV10/H3HH10/H3HV10/H3DH10/H3DV10/H3KH10/H3KV10/H3FH10/H3FV10)																					
Input Speed 輸入轉速 n <sub>1</sub> (r/min)	Output Speed 輸出轉速 n <sub>2N</sub> (r/min)	Nominal Ratio 公稱減速比 i <sub>N</sub>	10			11			12			13			14			15			
			Nominal Output Torque 額定輸出扭矩 T <sub>2N</sub> (kN.m)	Accurate Ratio 精準減速比 i <sub>ex</sub>	Nominal Input Power 額定輸入功率 P <sub>1N</sub> (kW)	Nominal Output Torque 額定輸出扭矩 T <sub>2N</sub> (kN.m)	Accurate Ratio 精準減速比 i <sub>ex</sub>	Nominal Input Power 額定輸入功率 P <sub>1N</sub> (kW)	Nominal Output Torque 額定輸出扭矩 T <sub>2N</sub> (kN.m)	Accurate Ratio 精準減速比 i <sub>ex</sub>	Nominal Input Power 額定輸入功率 P <sub>1N</sub> (kW)	Nominal Output Torque 額定輸出扭矩 T <sub>2N</sub> (kN.m)	Accurate Ratio 精準減速比 i <sub>ex</sub>	Nominal Input Power 額定輸入功率 P <sub>1N</sub> (kW)	Nominal Output Torque 額定輸出扭矩 T <sub>2N</sub> (kN.m)	Accurate Ratio 精準減速比 i <sub>ex</sub>	Nominal Input Power 額定輸入功率 P <sub>1N</sub> (kW)	Nominal Output Torque 額定輸出扭矩 T <sub>2N</sub> (kN.m)	Accurate Ratio 精準減速比 i <sub>ex</sub>	Nominal Input Power 額定輸入功率 P <sub>1N</sub> (kW)	
1800	80	22.4																		737	
1500	67																				617
1000	45																				414
750	33																				310
1800	72	25																			663
1500	60																				555
1000	40																				368
750	30																				276
1800	64	28																			589
1500	54																				497
1000	36																				248
750	27																				179
1800	57	31.5																			379
1500	48																				319
1000	32																				212
750	24																				159
1800	51	35.5																			425
1500	42																				359
1000	28																				239
750	21																				179
1800	45	40																			379
1500	38																				319
1000	25																				212
750	18.8																				159
1800	40	45																			425
1500	33																				359
1000	22																				239
750	16.7																				179
1800	36	50																			379
1500	30																				319
1000	20																				212
750	15																				159
1800	32	56																			425
1500	27																				359
1000	17.9																				239
750	13.4																				179
1800	29	63																			379
1500	24																				319
1000	15.9																				212
750	11.9																				159
1800	25	71																			425
1500	21																				359
1000	14.1																				239
750	10.6																				179
1800	23	80																			379
1500	18.8																				319
1000	12.5																				212
750	9.4																				159
1800	20	90																			425
1500	16.7																				359
1000	11.1																				239
750	8.3																				179
1800	18	100																			379
1500	15																				319
1000	10																				212
750	7.5																				159
1800	16.1	112																			425
1500	13.4																				359
1000	8.9																				239
750	6.7																				179

Refer to Page 43 for Rated Thermal Capacity 請參考第 43 頁額定容量

# H3 Frame Size 框號: 16~21 Ratio 減速比: 22.4~112

## H3 Series Helical Parallel Shaft Gearbox Performances Table H3 系列平行軸斜齒輪箱性能表

H3 Gearbox Size 齒輪箱框號 (H3SH16 / H3SV16 / H3HH16 / H3HV16 / H3DH16 / H3DV16 / H3KH16 / H3KV16 / H3FH16 / H3FV16)																				
Input Speed 輸入轉速 n <sub>1</sub> (r/min)	Output Speed 輸出轉速 n <sub>2N</sub> (r/min)	Nominal Ratio 公稱減速比 i <sub>N</sub>	16			17			18			19			20			21		
			Nominal Output Torque 額定輸出扭矩 T <sub>2N</sub> (kN.m)	Accurate Ratio 精準減速比 i <sub>ex</sub>	Nominal Input Power 額定輸入功率 P <sub>1N</sub> (kW)	Nominal Output Torque 額定輸出扭矩 T <sub>2N</sub> (kN.m)	Accurate Ratio 精準減速比 i <sub>ex</sub>	Nominal Input Power 額定輸入功率 P <sub>1N</sub> (kW)	Nominal Output Torque 額定輸出扭矩 T <sub>2N</sub> (kN.m)	Accurate Ratio 精準減速比 i <sub>ex</sub>	Nominal Input Power 額定輸入功率 P <sub>1N</sub> (kW)	Nominal Output Torque 額定輸出扭矩 T <sub>2N</sub> (kN.m)	Accurate Ratio 精準減速比 i <sub>ex</sub>	Nominal Input Power 額定輸入功率 P <sub>1N</sub> (kW)	Nominal Output Torque 額定輸出扭矩 T <sub>2N</sub> (kN.m)	Accurate Ratio 精準減速比 i <sub>ex</sub>	Nominal Input Power 額定輸入功率 P <sub>1N</sub> (kW)	Nominal Output Torque 額定輸出扭矩 T <sub>2N</sub> (kN.m)	Accurate Ratio 精準減速比 i <sub>ex</sub>	Nominal Input Power 額定輸入功率 P <sub>1N</sub> (kW)
1800	80	22.4	Refer H2 Series Page 16 請參考 H2 系列第 16 頁			200	20.93	1675	Refer H2 Series Page 16 請參考 H2 系列第 16 頁			300	21.782	2513*	Refer H2 Series Page 16 請參考 H2 系列第 16 頁			420	22.368	3518*
1500	67							1403						2104				2946		
1000	45							942						1413				1979		
750	33							706.5						1060				1473		
1800	72							1507						2261*				3166*		
1500	60	25	173	24.245	1086	200	24.202	1256	240	24.306	1507	300	25.283	1884	345	24.85	2167	420	25.837	2638
1000	40							837						1256				1759		
750	30							543						942				1319		
1800	64	28						1159						2010*				2814*		
1500	54		173	28.036	978	200	26.736	1130	240	28.106	1357	300	28.006	1696	345	28.844	1950	420	28.523	2374
1000	36							652						1130				1583		
750	27							489						847.5				1187		
1800	57							1032						1790*				2506*		
1500	48	31.5	173	30.971	869	200	29.619	1005	240	31.048	1206	300	31.117	1507	345	31.95	2059-	420	31.579	2110
1000	32							579						804				1407		
750	24							434						603				1583		
1800	51	35.5						1068						1281				2242*		
1500	42		173	34.311	760	200	34.776	879	240	34.397	1055	300	34.708	1319	345	35.5	1842*	420	35.088	1847
1000	28							507						703				1231		
750	21							380						527				923		
1800	45							815						1130				1979*		
1500	38	40	173	40.284	688	200	38.929	795	240	40.385	954	300	38.897	1193	345	39.596	1625*	420	39.158	1671
1000	25							452						628				1099		
750	18.8							339						471				824		
1800	40	45						724						1005				1759*		
1500	33		173	45.096	597	200	42.194	691	240	40.208	829	300	42.642	1036	345	44.375	1445*	420	43.936	1451
1000	20							398						552				967		
750	16.7							298.5						414				725		
1800	36							652						904				1583*		
1500	30	50	173	48.878	543	200	47.174	628	240	49	753	300	49.917	942	345	48.648	1300*	420	48.632	1319
1000	22							362						502				879		
750	15							271						376.5				659		
1800	32	56						670						804				1407*		
1500	27		173	54.647	489	200	53.102	565	240	54.783	678	300	55.87	848	345	56.948	1156	420	54.92	1187
1000	17.9							324						449				787		
750	13.4							243						239				590		
1800	29							525						728				1275*		
1500	24	63	173	61.514	434	200	60.278	502	240	61.667	603	300	63.013	753	345	63.739	1047	420	61.654	1055
1000	15.9							288						399				699		
750	11.9							216						299				525		
1800	25	71						452						628				1099*		
1500	21		173	69.826	380	200	66.306	439	240	70	527	300	68.162	659	345	71.888	758	420	69.806	923
1000	14.1							255						354				620		
750	10.6							191						265.5				465		
1800	23							416						722				1011*		
1500	18.8	80	173	76.809	340	200	73.912	393	240	77	472	300	76.974	590	345	77.762	830	420	81.316	826
1000	12.5							226						314				549		
750	9.4							169.5						235.5				413		
1800	20	90						418						607				858*		
1500	16.7		173	85.62	302	200	83.279	349	240	85.833	419	300	88.439	507	345	87.816	722	410	86.427	716
1000	11.1							201						278				476		
750	8.3							151						208.5				357		
1800	18							326						425				631		
1500	15	100	173	96.471	271	Refer H4 Series Page 24 請參考 H4 系列第 24 頁			240	96.711	354	Refer H4 Series Page 24 請參考 H4 系列第 24 頁			345	100.895	526	Refer H4 Series Page 25 請參考 H4 系列第 25 頁		
1000	10							181						236				350		
750	7.5							136						177				263		
1800	16.1	112																		
1500	13.4																			
1000	8.9																			
750	6.7																			

Note:    Forced lubrication required on horizontal gear units 注:    臥式安裝齒輪箱須採用強制潤滑

Refer to Page 43~44 for Rated Thermal Capacity 請參考第 43~44 頁額定容量

# H3 Frame Size 框號: 22~26 Ratio 減速比: 22.4~112

## H3 Series Helical Parallel Shaft Gearbox Performances Table H3 系列平行軸斜齒輪箱性能表

H3 Gearbox Size 齒輪箱框號 (H3SH22 / H3SV22 / H3HH22 / H3HV22 / H3DH22 / H3DV22 / H3KH22 / H3KV22 / H3FH22 / H3FV22)																				
Input Speed 輸入 轉速 n <sub>1</sub> (r/min)	Output Speed 輸出 轉速 n <sub>2N</sub> (r/min)	Nominal Ratio 公稱 減速比 i <sub>N</sub>	22			23			24			25			26					
			Nominal Output Torque 額定輸出 出扭矩 T <sub>2N</sub> (kN.m)	Accurate Ratio 精準 減速比 i <sub>ex</sub>	Nominal Input Power 額定輸入功 率 P <sub>1N</sub> (kW)	Nominal Output Torque 額定輸出 出扭矩 T <sub>2N</sub> (kN.m)	Accurate Ratio 精準 減速比 i <sub>ex</sub>	Nominal Input Power 額定輸入 入功率 P <sub>1N</sub> (kW)	Nominal Output Torque 額定輸出 出扭矩 T <sub>2N</sub> (kN.m)	Accurate Ratio 精準 減速比 i <sub>ex</sub>	Nominal Input Power 額定輸入 功率 P <sub>1N</sub> (kW)	Nominal Output Torque 額定輸出 出扭矩 T <sub>2N</sub> (kN.m)	Accurate Ratio 精準 減速比 i <sub>ex</sub>	Nominal Input Power 額定輸入 入功率 P <sub>1N</sub> (kW)	Nominal Output Torque 額定輸出 出扭矩 T <sub>2N</sub> (kN.m)	Accurate Ratio 精準 減速比 i <sub>ex</sub>	Nominal Input Power 額定輸入 入功率 P <sub>1N</sub> (kW)			
1800	80	22.4	Refer H2 Series Page 17 請參考 H2 系列第 17 頁			560	22.039	3928			Refer H2 Series Page 17 請參考 H2 系列第 17 頁			800	21.108	Refer H2 Series Page 17 請參考 H2 系列第 17 頁				
1500	67							2638								3769				
1000	45							1979								2827				
750	33							*								*				
1800	72	25	3543*			560	25.457	3518			4020			800	24.322	3350				
1500	60		2952					2345			2680					2512				
1000	40		1968					1759			2010					*				
750	30		1476					*			*					*				
1800	64	28	3149*			560	28.103	3166			3618			800	28.157	4523				
1500	54		2657					2110			2412					3015				
1000	36		1771					1583			1809					2261				
750	27		1328					*			*					*				
1800	57	31.5	2805*			560	31.115	2814			3216			800	31.156	4020				
1500	48		2362					1876			2144					2680				
1000	32		1574					1407			1608					2010				
750	24		1180					*			*					*				
1800	51	35.5	2509*			560	34.572	2462			2814			800	34.598	3518				
1500	42		2067					1641			1876					2345				
1000	28		1378					1231			1407					1759				
750	21		1034					*			*					*				
1800	45	40	2214*			560	38.582	2228			2546			800	38.591	3183				
1500	38		1870					1465			1675					2094				
1000	25		1230					1099			1257					1571				
750	18.8		935					*			*					*				
1800	40	45	1968*			560	43.29	1935			2211			800	43.278	2764				
1500	33		1624					1290			1474					1842				
1000	22		1082					968			1106					1382				
750	16.7		812					*			*					*				
1800	36	50	1771*			560	47.916	1759			2010			800	49.132	2513				
1500	30		1476					1172			1340					1675				
1000	20		984					879			1005					1256				
750	15		738					*			*					*				
1800	32	56	1574*			560	54.112	1583			1809			800	54.99	2261				
1500	27		1328					1049			1199					1499				
1000	17.9		880					787			899					1124				
750	13.4		660					*			*					*				
1800	29	63	1427*			560	60.747	1407			1608			800	62.021	2010				
1500	24		1181					932			1065					1331				
1000	15.9		782					699			799					1005				
750	11.9		586.5					*			*					*				
1800	25	71	1230*			560	68.78	1231			1407			800	70.735	1759				
1500	21		1033					826			944					1181				
1000	14.1		693					619			708					886				
750	10.6		520					*			*					*				
1800	23	80	1131**			560	80.12	1102			1259			800	75.037	1574				
1500	18.8		925					732			837					1047				
1000	12.5		615					549			628					785				
750	9.4		461					*			*					*				
1800	20	90	984*			560	85.156	979			1119			800	85.076	1398				
1500	16.7		821					650			743					929				
1000	11.1		546					488			558					697				
750	8.3		410					*			*					*				
1800	18	100	876*			Refer H4 Series Page 25 請參考 H4 系列第 25 頁			640			95.323			1005			Refer H4 Series Page 25 請參考 H4 系列第 25 頁		
1500	15		730						670						942					
1000	10		486						502.5						707					
750	7.5		365																	
1800	16.1	112																		
1500	13.4																			
1000	8.9																			
750	6.7																			

Note:   Forced lubrication required on horizontal gear units 注:   臥式安裝齒輪箱須採用強制潤滑

Refer to Page 44 for Rated Thermal Capacity 請參考第 44 頁額定容量



# H4 Frame Size 框號: 7~11 Ratio 減速比: 100~450

**H4 Series Helical Parallel Shaft Gearbox Performances Table H4 系列平行軸斜齒輪箱性能表**

H4 Gearbox Size 齒輪箱框號 (H4SH7 / H4SV7 / H4HH7 / H4HV7 / H4DH7 / H4DV7 / H4KH7 / H4KV7 / H4FH7 / H4FV7)																																
Input Speed 輸入 轉速 n <sub>1</sub> (r/min)	Output Speed 輸出 轉速 n <sub>2N</sub> (r/min)	Nominal Ratio 公稱 減速比 i <sub>N</sub>	7			8			9			10			11																	
			Nominal Output Torque 額定輸出 扭矩 T <sub>2N</sub> (kN.m)	Accurate Ratio 精準 減速比 i <sub>ex</sub>	Nominal Input Power 額定輸入 功率 P <sub>1N</sub> (kW)	Nominal Output Torque 額定輸出 扭矩 T <sub>2N</sub> (kN.m)	Accurate Ratio 精準 減速比 i <sub>ex</sub>	Nominal Input Power 額定輸入 功率 P <sub>1N</sub> (kW)	Nominal Output Torque 額定輸出 扭矩 T <sub>2N</sub> (kN.m)	Accurate Ratio 精準 減速比 i <sub>ex</sub>	Nominal Input Power 額定輸入 功率 P <sub>1N</sub> (kW)	Nominal Output Torque 額定輸出 扭矩 T <sub>2N</sub> (kN.m)	Accurate Ratio 精準 減速比 i <sub>ex</sub>	Nominal Input Power 額定輸入 功率 P <sub>1N</sub> (kW)	Nominal Output Torque 額定輸出 扭矩 T <sub>2N</sub> (kN.m)	Accurate Ratio 精準 減速比 i <sub>ex</sub>	Nominal Input Power 額定輸入 功率 P <sub>1N</sub> (kW)															
1800	18	100	21.7	101.554	40	Refer H3 Series Page 18 請參考 H3 系列第 18 頁	35.7	101.21	67	Refer H3 Series Page 19 請參考 H3 系列第 19 頁	61.6	103.639	96	64	48	103	86	57														
1500	15				34				22										27.75	48	59	66	77	83	92							
1000	10				22				16.5										36	20	33	24.78	37	44	55	66	77	83	92			
750	7.5				16.5				15										30	15	24.78	19.5	29	37	44	55	66	77	83	92		
1800	16.1				112				21.7										115.256	36	Refer H3 Series Page 18 請參考 H3 系列第 18 頁	35.7	115.29	60	Refer H3 Series Page 19 請參考 H3 系列第 19 頁	61.6	112.45	86	57	42.75	103	86
1500	13.4	30	20	24.78		33	24.78	29		37	44	55	66	77	83	92																
1000	8.9	20	15	30		15	24.78	19.5		29	37	44	55	66	77	83	92															
750	6.7	15	11.5	24.78		19.5	24.78	19.5		29	37	44	55	66	77	83	92															
1800	14.4	125	21.7	125.733		32	27.2	128.046		35.7	126.098	44.2	126.89	61.6	127.556	51	38.25	92		77				51								
1500	12				27	18			21.75										29		37	44	55		66	77	83	92				
1000	8				18	13.5			21.75										13.5		16.5	19.5	29		37	44	55	66	77	83	92	
750	6				13.5	10			16.5										10		13.5	16.5	19.5		29	37	44	55	66	77	83	92
1800	12.9				140	21.7			143.985										29		27.2	145.322	35.7		138.301	44.2	144.542	61.6	139.152	45	33.75	83
1500	10.7	24	16	19.5			20	26		26	29	37	44	55	66	77	83	92														
1000	7.1	16	12	19.5			12	15		19.5	29	37	44	55	66	77	83	92														
750	5.4	12	9	19.5			9	11.5		15	29	37	44	55	66	77	83	92														
1800	11.3	160	21.7	158.251			25	27.2		158.533	35.7	159.874	44.2	158.093	61.6	159.444	40	30	60	40				30								
1500	9.4				21	14	17.25		17												23	23	29		37	44	55	66	77	83	92	
1000	6.3				14	10.5	17.25		10.5												13	17.25	29		37	44	55	66	77	83	92	
750	4.7				10.5	7.5	17.25		7.5												10	13.5	29		37	44	55	66	77	83	92	
1800	10				180	21.7	174.63		22												27.2	181.546	35.7		177.022	44.2	173.392	61.6	175.389	36	27	58
1500	8.3	18	12	21.75				12	15	19.5	29	37	44	55	66	77	83	92														
1000	5.6	12	9	21.75				9	11.5	15	29	37	44	55	66	77	83	92														
750	4.2	9	6.5	21.75				6.5	8.3	10.5	29	37	44	55	66	77	83	92														
1800	9	200	21.7	193.629				20	27.2	199.533	35.7	197.028	44.2	200.439	61.6	204.089	32	24	51	43				29								
1500	7.5				17	11	17.25	11													14	18	29		37	44	55	66	77	83	92	
1000	5				11	8	17.25	8													10.5	13.5	29		37	44	55	66	77	83	92	
750	3.8				8	5.5	17.25	5.5													7.5	10.5	29		37	44	55	66	77	83	92	
1800	8				224	21.7	228.606	18													27.2	220.185	35.7		220.671	44.2	221.938	61.6	227.382	29	21.75	46
1500	6.7	15	10	17.25				10	12	16	29	37	44	55	66	77	83	92														
1000	4.5	10	7.5	17.25				7.5	9	12	29	37	44	55	66	77	83	92														
750	3.3	7.5	5.5	17.25				5.5	7.5	9.75	29	37	44	55	66	77	83	92														
1800	7.2	250	21.7	257.753				16	27.2	244.141	35.7	249.043	44.2	247.02	61.6	255.111	25	18.75	36	30				20								
1500	6				13	9	17.25	9													11	14	29		37	44	55	66	77	83	92	
1000	4				9	6.5	17.25	6.5													8.3	10.5	29		37	44	55	66	77	83	92	
750	3				6.5	4.5	17.25	4.5													6.5	8.25	29		37	44	55	66	77	83	92	
1800	6.4				280	21.7	288.615	14													27.2	288.242	35.7		282.219	44.2	276.663	61.6	288.678	23	17.25	41
1500	5.4	12	8.1	17.25				8.1	12	13	29	37	44	55	66	77	83	92														
1000	3.6	8.1	6	17.25				6	7.5	9.75	29	37	44	55	66	77	83	92														
750	2.7	6	4.5	17.25				4.5	6	7.5	29	37	44	55	66	77	83	92														
1800	5.7	315	21.7	305.352				12	27.2	324.993	35.7	318.563	44.2	312.234	61.6	318.889	15	13.5	32	27				18								
1500	4.8				10	7.2	17.25	7.2													9.1	11	29		37	44	55	66	77	83	92	
1000	3.2				7.2	5	17.25	5													6.5	8.25	29		37	44	55	66	77	83	92	
750	2.4				5	3.5	17.25	3.5													5	6.5	29		37	44	55	66	77	83	92	
1800	5.1				355	19.6	344.112	10													27.2	363.906	35.7		351.273	44.2	353.827	61.6	361.407	18	13.5	32
1500	4.2	8.6	5.7	17.25				5.7	7.9	10	29	37	44	55	66	77	83	92														
1000	2.8	5.7	4.3	17.25				4.3	5.9	7.5	29	37	44	55	66	77	83	92														
750	2.1	4.3	3	17.25				3	4.3	5.9	29	37	44	55	66	77	83	92														
1800	4.5	400	-	-				12	27.2	385.01	-	-	-	44.2	399.393	-	-	-	-	-				-								
1500	3.8				10	7.1	17.25	7.1													10	13.5	29		37	44	55	66	77	83	92	
1000	2.5				7.1	5.3	17.25	5.3													7.1	9.8	29		37	44	55	66	77	83	92	
750	1.9				5.3	4	17.25	4													5.3	7.1	29		37	44	55	66	77	83	92	
1800	4				450	-	-	10													25.3	433.881	-		-	-	42.8	440.402	-	-	-	-
1500	3.3	8.7	5.8	17.25				5.8	8.7	11.5	29	37	44	55	66	77	83	92														
1000	2.2	5.8	4.4	17.25				4.4	5.8	7.35	29	37	44	55	66	77	83	92														
750	1.7	4.4	3.3	17.25				3.3	4.4	5.8	29	37	44	55	66	77	83	92														

Refer to Page 45 for Rated Thermal Capacity 請參考第 45 頁額定容量

# H4 Frame Size 框號: 12~16 Ratio 減速比: 100~450

## H4 Series Helical Parallel Shaft Gearbox Performances Table H4 系列平行軸斜齒輪箱性能表

H4 Gearbox Size 齒輪箱框號 (H4SH12/H4SV12/H4HH12/H4HV12/H4DH12/H4DV12/H4KH12/H4KV12/H4FH12/H4FV12)																		
Input Speed 輸入轉速 n <sub>1</sub> (r/min)	Output Speed 輸出轉速 n <sub>2N</sub> (r/min)	Nominal Ratio 公稱減速比 i <sub>N</sub>	12			13			14			15			16			
			Nominal Output Torque 額定輸出扭矩 T <sub>2N</sub> (kN.m)	Accurate Ratio 精準減速比 i <sub>ex</sub>	Nominal Input Power 額定輸入功率 P <sub>1N</sub> (kW)	Nominal Output Torque 額定輸出扭矩 T <sub>2N</sub> (kN.m)	Accurate Ratio 精準減速比 i <sub>ex</sub>	Nominal Input Power 額定輸入功率 P <sub>1N</sub> (kW)	Nominal Output Torque 額定輸出扭矩 T <sub>2N</sub> (kN.m)	Accurate Ratio 精準減速比 i <sub>ex</sub>	Nominal Input Power 額定輸入功率 P <sub>1N</sub> (kW)	Nominal Output Torque 額定輸出扭矩 T <sub>2N</sub> (kN.m)	Accurate Ratio 精準減速比 i <sub>ex</sub>	Nominal Input Power 額定輸入功率 P <sub>1N</sub> (kW)	Nominal Output Torque 額定輸出扭矩 T <sub>2N</sub> (kN.m)	Accurate Ratio 精準減速比 i <sub>ex</sub>	Nominal Input Power 額定輸入功率 P <sub>1N</sub> (kW)	
1800	18	100	Refer H3 Series Page19 請參考 H3 系列第 19 頁			90.7	103.114	142	Refer H3 Series Page19 請參考 H3 系列第 19 頁			153	97.768	240	Refer H3 Series Page20 請參考 H3 系列第 20 頁			
1500	15		170	94	70.5	127.503	94	120	120	120	120	120	120	120	120	120	120	
1000	10		112	Refer H3 Series Page19 請參考 H3 系列第 19 頁			90.7	118.306	127	Refer H3 Series Page19 請參考 H3 系列第 19 頁			153	113.186	214	173	110.901	242
750	7.5		63				90.7	118.306	84				153	113.186	142	173	110.901	161
1800	16.1	125				90.7	129.398	136				153	125.238	230				
1500	13.4		117				90.7	129.398	113				153	125.238	192	173	128.39	260
1000	8		98	78	131.769	65	90.7	129.398	75	113	127.503	94	153	125.238	128	173	128.39	217
750	6		48.75				90.7	129.398	56.25				153	125.238	96			
1800	12.9	140				90.7	141.92	122				153	139.074	206				
1500	10.7		105				90.7	141.92	101				153	139.074	171	173	142.06	233
1000	7.1		87	78	142.973	57	90.7	141.92	67	113	146.633	84	153	139.074	113	173	142.06	193
750	5.4		42.75				90.7	141.92	50.25				153	139.074	84.75			
1800	11.3	160				90.7	164.058	107				153	155.125	181				
1500	9.4		92				90.7	164.058	89				153	155.125	150	173	157.756	204
1000	6.3		76	78	162.178	51	90.7	164.058	59	113	160.38	74	153	155.125	100	173	157.756	170
750	4.7		38.25				90.7	164.058	44.25				153	155.125	75			
1800	10	180				90.7	181.654	94				153	170.993	160				
1500	8.3		81				90.7	181.654	78				153	170.993	132	173	175.962	181
1000	5.6		67	78	176.921	45	90.7	181.654	53	113	175.901	66	153	170.993	89	173	175.962	150
750	4.2		33.75				90.7	181.654	39.75				153	170.993	66.75			
1800	9	200				90.7	202.184	85				153	189.597	144				
1500	7.5		73				90.7	202.184	71				153	189.597	120	173	193.962	163
1000	5		61	78	202.722	40	90.7	202.184	47	113	203.339	59	153	189.597	80	173	193.962	135
750	3.8		30				90.7	202.184	35.25				153	189.597	60			
1800	8	224				90.7	226.446	75				153	223.845	128				
1500	6.7		65				90.7	226.446	63				153	223.845	107	173	215.065	144
1000	4.5		54	78	222.994	36	90.7	226.446	42	113	225.149	53	153	223.845	72	173	215.065	121
750	3.3		27				90.7	226.446	31.5				153	223.845	54			
1800	7.2	250				90.7	255.56	68				153	252.385	115				
1500	6		58				90.7	255.56	56				153	252.385	96	173	253.914	130
1000	4		49	78	259.484	32	90.7	255.56	37	113	250.594	47	153	252.385	64	173	253.914	108
750	3		24				90.7	255.56	27.75				153	252.385	48			
1800	6.4	280				90.7	286.926	60				153	282.605	102				
1500	5.4		52				90.7	286.926	51				153	282.605	86	173	286.288	115
1000	3.6		44	78	289.1	29	90.7	286.926	34	113	280.665	42	153	282.605	57	173	286.288	97
750	2.7		21.75				90.7	286.926	25.5				153	282.605	42.75			
1800	5.7	315				90.7	320.413	54				153	317.021	91				
1500	4.8		32				90.7	320.413	45				153	317.021	76	173	320.566	103
1000	3.2		26	78	324.356	22	90.7	320.413	30	113	316.751	37	153	317.021	51	173	320.566	86
750	2.4		19.5				90.7	320.413	22.5				153	317.021	38.25			
1800	5.1	355				90.7	360.951	48				140	336.946	82.5				
1500	4.2		41				90.7	360.951	39				140	336.946	74	173	359.606	92
1000	2.8		34	78	367.034	22	90.7	360.951	26	113	355.625	33	140	336.946	41	173	359.606	76
750	2.1		16.5				90.7	360.951	19.5				140	336.946	30.75			
1800	4.5	400				-	-	-				-	-	-				
1500	3.8		36				-	-	-				-	-	-	158	398.3	62
1000	2.5		31	78	405.444	20	-	-	-	113	397.131	29	-	-	-	158	398.3	41
750	1.9		15				-	-	-				-	-	-			
1800	4	450				-	-	-				-	-	-				
1500	3.3		32				-	-	-				-	-	-	-	-	-
1000	2.2		26	78	459.504	17	-	-	-	113	447.376	39	-	-	-	-	-	-
750	1.7		12.75				-	-	-				-	-	-			

Refer to Page 45~46 for Rated Thermal Capacity 請參考第 45~46 頁額定容量

# H4 Frame Size 框號: 17~20 Ratio 減速比: 100~450

## H4 Series Helical Parallel Shaft Gearbox Performances Table H4 系列平行軸斜齒輪箱性能表

H4 Gearbox Size 齒輪箱框號 (H4SH17/H4SV17/H4HH17/H4HV17/H4DH17/H4DV17/H4KH17/H4KV17/H4FH17/H4FV17)															
Input Speed 輸入轉速 $n_1$ (r/min)	Output Speed 輸出轉速 $n_{2N}$ (r/min)	Nominal Ratio 公稱減速比 $i_N$	17			18			19			20			
			Nominal Output Torque 額定輸出扭矩 $T_{2N}$ (kN.m)	Accurate Ratio 精準減速比 $i_{ex}$	Nominal Input Power 額定輸入功率 $P_{1N}$ (kW)	Nominal Output Torque 額定輸出扭矩 $T_{2N}$ (kN.m)	Accurate Ratio 精準減速比 $i_{ex}$	Nominal Input Power 額定輸入功率 $P_{1N}$ (kW)	Nominal Output Torque 額定輸出扭矩 $T_{2N}$ (kN.m)	Accurate Ratio 精準減速比 $i_{ex}$	Nominal Input Power 額定輸入功率 $P_{1N}$ (kW)	Nominal Output Torque 額定輸出扭矩 $T_{2N}$ (kN.m)	Accurate Ratio 精準減速比 $i_{ex}$	Nominal Input Power 額定輸入功率 $P_{1N}$ (kW)	
1800	18	100	200	95.735	376	Refer H3 Series Page 20 請參考 H3 系列第 20 頁	300	100.079	565	Refer H3 Series Page 20 請參考 H3 系列第 20 頁	345	114.174	114.174	114.174	
1500	15				314				471						471
1000	10				209				314						314
750	7.5				156.75				235.5						235.5
1800	16.1	112	200	110.833	337	240	111.176	300	505	345	114.174	114.174	581		
1500	13.4				280				420				484		
1000	8.9				186				279				321		
750	6.7				139.5				209.25				240.75		
1800	14.4	125	200	122.634	301	240	128.71	300	452	345	132.18	132.18	520		
1500	12				251				376				433		
1000	8				167				251				289		
750	6				125.25				188.25				216.75		
1800	12.9	140	200	136.183	270	240	142.414	300	405	345	146.254	146.254	466		
1500	10.7				224				336				386		
1000	7.1				148				223				256		
750	5.4				111				167.25				192		
1800	11.3	160	200	151.9	236	240	158.148	300	354	345	162.413	162.413	408		
1500	9.4				196				295				339		
1000	6.3				131				197				227		
750	4.7				98.25				147.75				170.25		
1800	10	180	200	167.438	209	240	176.4	300	314	345	181.156	181.156	361		
1500	8.3				173				260				299		
1000	5.6				117				175				202		
750	4.2				87.75				131.25				151.5		
1800	9	200	200	185.656	188	240	194.444	300	282	345	203.16	203.16	325		
1500	7.5				157				235				270		
1000	5				104				157				180		
750	3.8				78				117.75				135		
1800	8	224	200	219.192	167	240	215.6	300	251	345	229.355	229.355	289		
1500	6.7				140				210				242		
1000	4.5				94				141				162		
750	3.3				70.5				105.75				121.5		
1800	7.2	250	200	247.139	150	240	254.545	300	226	345	258.141	258.141	260		
1500	6				125				188				216		
1000	4				83				125				144		
750	3				62.25				93.75				108		
1800	6.4	280	200	276.73	134	240	287	300	201	345	291.144	291.144	231		
1500	5.4				113				169				195		
1000	3.6				75				113				130		
750	2.7				56.25				84.75				97.5		
1800	5.7	315	200	310.431	119	240	321.364	300	179	345	332.052	332.052	205		
1500	4.8				100				150				173		
1000	3.2				67				100				115		
750	2.4				50.25				75				86.25		
1800	5.1	355	192	329.942	102	240	360.5	290	154	345	352.248	352.248	184		
1500	4.2				84				127				151		
1000	2.8				56				85				101		
750	2.1				42				63.75				75.75		
1800	4.5	400	-	-	105	223	383.158	-	105	335	399.375	399.375	157		
1500	3.8				88				88				133		
1000	2.5				58				58				87		
750	1.9				43.5				43.5				65.25		
1800	4	450	-	-	105	-	-	-	105	-	-	-	105		
1500	3.3				88				88				133		
1000	2.2				58				58				87		
750	1.7				43.5				43.5				65.25		

Refer to Page 46 for Rated Thermal Capacity 請參考第 46 頁額定容量



# H4 Frame Size 框號: 21~26 Ratio 減速比: 100~450

**H4 Series Helical Parallel Shaft Gearbox Performances Table H4 系列平行軸斜齒輪箱性能表**

H4 Gearbox Size 齒輪箱框號 (H4SH21 / H4SV21 / H4HH21 / H4HV21 / H4DH21 / H4DV21 / H4KH21 / H4KV21 / H4FH21 / H4FV21)																																
Input Speed 輸入轉速 n <sub>1</sub> (r/min)	Output Speed 輸出轉速 n <sub>2N</sub> (r/min)	Nominal Ratio 公稱減速比 i <sub>N</sub>	21			22			23			24			25			26														
			Nominal Output Torque 額定輸出扭矩 T <sub>2N</sub> (kN.m)	Accurate Ratio 精準減速比 i <sub>ex</sub>	Nominal Input Power 額定輸入功率 P <sub>1N</sub> (kW)	Nominal Output Torque 額定輸出扭矩 T <sub>2N</sub> (kN.m)	Accurate Ratio 精準減速比 i <sub>ex</sub>	Nominal Input Power 額定輸入功率 P <sub>1N</sub> (kW)	Nominal Output Torque 額定輸出扭矩 T <sub>2N</sub> (kN.m)	Accurate Ratio 精準減速比 i <sub>ex</sub>	Nominal Input Power 額定輸入功率 P <sub>1N</sub> (kW)	Nominal Output Torque 額定輸出扭矩 T <sub>2N</sub> (kN.m)	Accurate Ratio 精準減速比 i <sub>ex</sub>	Nominal Input Power 額定輸入功率 P <sub>1N</sub> (kW)	Nominal Output Torque 額定輸出扭矩 T <sub>2N</sub> (kN.m)	Accurate Ratio 精準減速比 i <sub>ex</sub>	Nominal Input Power 額定輸入功率 P <sub>1N</sub> (kW)	Nominal Output Torque 額定輸出扭矩 T <sub>2N</sub> (kN.m)	Accurate Ratio 精準減速比 i <sub>ex</sub>	Nominal Input Power 額定輸入功率 P <sub>1N</sub> (kW)												
1800	18	100	791			1206			1621			Refer H3 Series Page 21 請參考 H3 系列第 21 頁			800 100.783			1256 837			Refer H3 Series Page 21 請參考 H3 系列第 21 頁											
1500	15		659			879			1000			Refer H3 Series Page 21 請參考 H3 系列第 21 頁			1000 100.783			1256 837			Refer H3 Series Page 21 請參考 H3 系列第 21 頁											
1000	10		439			560			97.564			879			Refer H3 Series Page 21 請參考 H3 系列第 21 頁			800 100.783			1256 837			Refer H3 Series Page 21 請參考 H3 系列第 21 頁								
750	7.5		329.25			439.5			627.75			Refer H3 Series Page 21 請參考 H3 系列第 21 頁			800 100.783			1256 837			Refer H3 Series Page 21 請參考 H3 系列第 21 頁											
1800	16.1	112	708			1077			1447			1733			Refer H3 Series Page 21 請參考 H3 系列第 21 頁			800 111.637			1447 1733			Refer H3 Series Page 21 請參考 H3 系列第 21 頁								
1500	13.4		589			785			1122			1262			Refer H3 Series Page 21 請參考 H3 系列第 21 頁			800 111.637			1447 1733			Refer H3 Series Page 21 請參考 H3 系列第 21 頁								
1000	8.9		391			521			745			838			Refer H3 Series Page 21 請參考 H3 系列第 21 頁			800 111.637			1447 1733			Refer H3 Series Page 21 請參考 H3 系列第 21 頁								
750	6.7		293.25			390.75			558.75			628.5			Refer H3 Series Page 21 請參考 H3 系列第 21 頁			800 111.637			1447 1733			Refer H3 Series Page 21 請參考 H3 系列第 21 頁								
1800	14.4	125	633			965			1297			1553			Refer H3 Series Page 21 請參考 H3 系列第 21 頁			800 124.041			1297 1553			Refer H3 Series Page 21 請參考 H3 系列第 21 頁								
1500	12		527			703			1005			1130			Refer H3 Series Page 21 請參考 H3 系列第 21 頁			800 124.041			1297 1553			Refer H3 Series Page 21 請參考 H3 系列第 21 頁								
1000	8		351			469			670			753			Refer H3 Series Page 21 請參考 H3 系列第 21 頁			800 124.041			1297 1553			Refer H3 Series Page 21 請參考 H3 系列第 21 頁								
750	6		263.25			351.75			469.75			670.75			Refer H3 Series Page 21 請參考 H3 系列第 21 頁			800 124.041			1297 1553			Refer H3 Series Page 21 請參考 H3 系列第 21 頁								
1800	12.9	140	567			850			1088			1206			Refer H3 Series Page 21 請參考 H3 系列第 21 頁			800 138.354			1088 1206			Refer H3 Series Page 21 請參考 H3 系列第 21 頁								
1500	10.7		470			625			896			1008			Refer H3 Series Page 21 請參考 H3 系列第 21 頁			800 138.354			1088 1206			Refer H3 Series Page 21 請參考 H3 系列第 21 頁								
1000	7.1		315			416			594			669			Refer H3 Series Page 21 請參考 H3 系列第 21 頁			800 138.354			1088 1206			Refer H3 Series Page 21 請參考 H3 系列第 21 頁								
750	5.4		234			321			445.5			501.75			Refer H3 Series Page 21 請參考 H3 系列第 21 頁			800 138.354			1088 1206			Refer H3 Series Page 21 請參考 H3 系列第 21 頁								
1800	11.3	160	496			754			1013			1213			Refer H3 Series Page 21 請參考 H3 系列第 21 頁			800 155.051			787 885			Refer H3 Series Page 21 請參考 H3 系列第 21 頁								
1500	9.4		413			551			787			885			Refer H3 Series Page 21 請參考 H3 系列第 21 頁			800 155.051			787 885			Refer H3 Series Page 21 請參考 H3 系列第 21 頁								
1000	6.3		277			369			527			593			Refer H3 Series Page 21 請參考 H3 系列第 21 頁			800 155.051			787 885			Refer H3 Series Page 21 請參考 H3 系列第 21 頁								
750	4.7		207.75			276.75			369.75			527.75			Refer H3 Series Page 21 請參考 H3 系列第 21 頁			800 155.051			787 885			Refer H3 Series Page 21 請參考 H3 系列第 21 頁								
1800	10	180	439			670			901			1079			Refer H3 Series Page 21 請參考 H3 系列第 21 頁			800 169.982			695 782			Refer H3 Series Page 21 請參考 H3 系列第 21 頁								
1500	8.3		365			486			695			782			Refer H3 Series Page 21 請參考 H3 系列第 21 頁			800 169.982			695 782			Refer H3 Series Page 21 請參考 H3 系列第 21 頁								
1000	5.6		246			328			469			527			Refer H3 Series Page 21 請參考 H3 系列第 21 頁			800 169.982			695 782			Refer H3 Series Page 21 請參考 H3 系列第 21 頁								
750	4.2		184.5			246			351.75			395.25			Refer H3 Series Page 21 請參考 H3 系列第 21 頁			800 169.982			695 782			Refer H3 Series Page 21 請參考 H3 系列第 21 頁								
1800	9	200	395			603			810			971			Refer H3 Series Page 21 請參考 H3 系列第 21 頁			800 198.983			628 706			Refer H3 Series Page 21 請參考 H3 系列第 21 頁								
1500	7.5		329			439			628			706			Refer H3 Series Page 21 請參考 H3 系列第 21 頁			800 198.983			628 706			Refer H3 Series Page 21 請參考 H3 系列第 21 頁								
1000	5		219			293			418			471			Refer H3 Series Page 21 請參考 H3 系列第 21 頁			800 198.983			628 706			Refer H3 Series Page 21 請參考 H3 系列第 21 頁								
750	3.8		164.25			219.75			293.75			418.75			Refer H3 Series Page 21 請參考 H3 系列第 21 頁			800 198.983			628 706			Refer H3 Series Page 21 請參考 H3 系列第 21 頁								
1800	8	224	351			539			724			867			Refer H3 Series Page 21 請參考 H3 系列第 21 頁			800 222.721			561 631			Refer H3 Series Page 21 請參考 H3 系列第 21 頁								
1500	6.7		294			392			561			631			Refer H3 Series Page 21 請參考 H3 系列第 21 頁			800 222.721			561 631			Refer H3 Series Page 21 請參考 H3 系列第 21 頁								
1000	4.5		197			263			376			424			Refer H3 Series Page 21 請參考 H3 系列第 21 頁			800 222.721			561 631			Refer H3 Series Page 21 請參考 H3 系列第 21 頁								
750	3.3		147.75			197.25			263.75			376.75			Refer H3 Series Page 21 請參考 H3 系列第 21 頁			800 222.721			561 631			Refer H3 Series Page 21 請參考 H3 系列第 21 頁								
1800	7.2	250	316			483			648			777			Refer H3 Series Page 21 請參考 H3 系列第 21 頁			800 251.183			502 565			Refer H3 Series Page 21 請參考 H3 系列第 21 頁								
1500	6		263			351			502			565			Refer H3 Series Page 21 請參考 H3 系列第 21 頁			800 251.183			502 565			Refer H3 Series Page 21 請參考 H3 系列第 21 頁								
1000	4		175			234			335			376			Refer H3 Series Page 21 請參考 H3 系列第 21 頁			800 251.183			502 565			Refer H3 Series Page 21 請參考 H3 系列第 21 頁								
750	3		131.25			175.75			234.75			335.75			Refer H3 Series Page 21 請參考 H3 系列第 21 頁			800 251.183			502 565			Refer H3 Series Page 21 請參考 H3 系列第 21 頁								
1800	6.4	280	281			431			579			693			Refer H3 Series Page 21 請參考 H3 系列第 21 頁			800 271.709			452 508			Refer H3 Series Page 21 請參考 H3 系列第 21 頁								
1500	5.4		237			316			452			508			Refer H3 Series Page 21 請參考 H3 系列第 21 頁			800 271.709			452 508			Refer H3 Series Page 21 請參考 H3 系列第 21 頁								
1000	3.6		158			211			301			339			Refer H3 Series Page 21 請參考 H3 系列第 21 頁			800 271.709			452 508			Refer H3 Series Page 21 請參考 H3 系列第 21 頁								
750	2.7		118.5			158.75			211.75			301.75			Refer H3 Series Page 21 請參考 H3 系列第 21 頁			800 271.709			452 508			Refer H3 Series Page 21 請參考 H3 系列第 21 頁								
1800	5.7	315	250			383			515			616			Refer H3 Series Page 21 請參考 H3 系列第 21 頁			800 306.839			402 452			Refer H3 Series Page 21 請參考 H3 系列第 21 頁								
1500	4.8		211			321			425			547			Refer H3 Series Page 21 請參考 H3 系列第 21 頁			800 306.839			402 452			Refer H3 Series Page 21 請參考 H3 系列第 21 頁								
1000	3.2		140			187			268			301			Refer H3 Series Page 21 請參考 H3 系列第 21 頁			800 306.839			402 452			Refer H3 Series Page 21 請參考 H3 系列第 21 頁								
750	2.4		105			140.25			201.75			268.75			Refer H3 Series Page 21 請參考 H3 系列第 21 頁			800 306.839			402 452			Refer H3 Series Page 21 請參考 H3 系列第 21 頁								
1800	5.1	355	218			311			425			547			Refer H3 Series Page 21 請參考 H3 系列第 21 頁			785 352.538			351 395			Refer H3 Series Page 21 請參考 H3 系列第 21 頁								
1500	4.2		180			246			351			452			Refer H3 Series Page 21 請參考 H3 系列第 21 頁			785 352.538			351 395			Refer H3 Series Page 21 請參考 H3 系列第 21 頁								
1000	2.8		120			164			234			263			Refer H3 Series Page 21 請參考 H3 系列第 21 頁			785 352.538			351 395			Refer H3 Series Page 21 請參考 H3 系列第 21 頁								
750	2.1		90			123			175.5			197.25			Refer H3 Series Page 21 請參考 H3 系列第 21 頁			785 352.538			351 395			Refer H3 Series Page 21 請參考 H3 系列第 21 頁								
1800	4.5	400	219			311			425			547			Refer H3 Series Page 21 請參考 H3 系列第 21 頁			-			890 405.953			358 429			Refer H3 Series Page 21 請參考 H3 系列第 21 頁					
1500	3.8		185			246			351			452			Refer H3 Series Page 21 請參考 H3 系列第 21 頁			-			890 405.953			358 429			Refer H3 Series Page 21 請參考 H3 系列第 21 頁					
1000	2.5		120			164			234			263			Refer H3 Series Page 21 請參考 H3 系列第 21 頁			-			890 405.953			358 429			Refer H3 Series Page 21 請參考 H3 系列第 21 頁					
750	1.9		90.75			123.75			175.75			201.75			Refer H3 Series Page 21 請參考 H3 系列第 21 頁			-			890 405.953			358 429			Refer H3 Series Page 21 請參考 H3 系列第 21 頁					
1800	4	450	-			-			-			-			-			-			-			-			-			-		
1500	3.3		-			-			-			-			-			-			-			-			-			-		
1000	2.2		-			-			-			-			-			-			-			-			-			-		
750	1.7		-			-			-			-			-			-			-			-			-			-		

Refer to Page 46 for Rated Thermal Capacity 請參考第 46 頁額定容量

B2 Series Bevel-Helical Right Angle Gearbox Performances Table B2 系列直交軸螺旋齒輪-斜齒輪性能表

B2 Gearbox Size 齒輪箱框號 (B2SH4 / B2SV4 / B2HH4 / B2HV4 / B2DH4 / B2DV4 / B2KH4 / B2KV4 / B2FH4 / B2FV4)																				
Input Speed 輸入 轉速 $n_1$ (r/min)	Output Speed 輸出 轉速 $n_{2N}$ (r/min)	Nominal Ratio 公稱 減速比 $i_N$	4			5			6			7			8					
			Nominal Output Torque 額定輸出 扭矩 $T_{2N}$ (kN.m)	Accurate Ratio 精準 減速比 $i_{ex}$	Nominal Input Power 額定輸入 功率 $P_{1N}$ (kW)	Nominal Output Torque 額定輸出 扭矩 $T_{2N}$ (kN.m)	Accurate Ratio 精準 減速比 $i_{ex}$	Nominal Input Power 額定輸入 功率 $P_{1N}$ (kW)	Nominal Output Torque 額定輸出 扭矩 $T_{2N}$ (kN.m)	Accurate Ratio 精準 減速比 $i_{ex}$	Nominal Input Power 額定輸入 功率 $P_{1N}$ (kW)	Nominal Output Torque 額定輸出 扭矩 $T_{2N}$ (kN.m)	Accurate Ratio 精準 減速比 $i_{ex}$	Nominal Input Power 額定輸入 功率 $P_{1N}$ (kW)	Nominal Output Torque 額定輸出 扭矩 $T_{2N}$ (kN.m)	Accurate Ratio 精準 減速比 $i_{ex}$	Nominal Input Power 額定輸入 功率 $P_{1N}$ (kW)			
1800	360	5	229			354			716											
1500	300		6.1	4.936	191	9.4	5.006	295	-	-	-	19	4.865	596	-	-	-			
1000	200		127			196			397											
750	150		95.25			147			297.75											
1800	321	5.6	208			315			638											
1500	268		6.2	5.48	173	9.4	5.488	263	-	-	-	19	5.333	533	-	-	-			
1000	179		116			176			356											
750	134		87			132			267											
1800	286	6.3	185			281			359			569			712					
1500	238		6.2	6.296	154	9.4	6.386	234	12	6.205	299	19	6.206	473	23.8	6.135	593			
1000	159		103			156			199			316			396					
750	119		77.25			117			149.25			237			297					
1800	254	7.1	164			250			319			505			633					
1500	211		6.2	6.959	136	9.4	7.058	207	12	6.802	265	19	6.86	419	23.8	6.725	525			
1000	141		91			138			177			280			351					
750	109		68.25			103.5			132.75			210			263.25					
1800	225	8	146			221			282			447			560					
1500	188		6.2	7.549	122	9.4	7.657	185	12	7.915	236	19	7.88	374	23.8	7.825	468			
1000	125		81			123			157			248			311					
750	94		60.75			92.25			117.75			186			233.25					
1800	200	9	129			196			251			397			498					
1500	167		6.2	8.693	108	9.4	8.817	164	12	8.749	209	19	8.569	332	23.8	8.649	416			
1000	111		72			108			139			220			276					
750	83		54			81.75			104.25			165			207					
1800	180	10	116			177			226			358			448					
1500	150		6.2	9.872	97	9.4	10.108	147	12	9.49	188	19	9.823	298	23.8	9.935	373			
1000	100		64			98			125			198			249					
750	75		48			73.5			93.75			148.5			186.75					
1800	161	11.2	104			158			202			320			401					
1500	134		6.2	10.769	86	9.4	10.923	131	12	10.928	168	19	10.615	266	23.8	10.804	333			
1000	89		57			87			111			177			221					
750	67		42.75			65.25			83.25			132.75			165.75					
1800	144	12.5	180			270			360			540			675					
1500	120		Refer B3 Series Page 29 請參考 H3 系列第 29 頁						12	12.528	150	Refer B3 Series Page 29 請參考 H3 系列第 29 頁						23.8	12.385	299
1000	80		100			150			200			300			375					
750	60		75			112.5			150			225			281.25					
1800	129	14	162			243			324			486			607.5					
1500	107		Refer B3 Series Page 29 請參考 H3 系列第 29 頁						12	13.538	134	Refer B3 Series Page 29 請參考 H3 系列第 29 頁						23.8	13.385	266
1000	71		89			134			178			267			333.75					
750	54		66.75			100.125			133.5			200.25			250.3125					

Refer to Page 47 for Rated Thermal Capacity 請參考第 47 頁額定容量

B2 Series Bevel-Helical Right Angle Gearbox Performances Table B2 系列直交軸螺旋齒輪-斜齒輪性能表

B2 Gearbox Size 齒輪箱框號 (B2SH9 / B2SV9 / B2HH9 / B2HV9 / B2DH9 / B2DV9 / B2KH9 / B2KV9 / B2FH9 / B2FV9)																	
Input Speed 輸入轉速 $n_1$ (r/min)	Output Speed 輸出轉速 $n_{2N}$ (r/min)	Nominal Ratio 公稱減速比 $i_N$	9			10			11			12			13		
			Nominal Output Torque 額定輸出扭矩 $T_{2N}$ (kN.m)	Accurate Ratio 精準減速比 $i_{ex}$	Nominal Input Power 額定輸入功率 $P_{1N}$ (kW)	Nominal Output Torque 額定輸出扭矩 $T_{2N}$ (kN.m)	Accurate Ratio 精準減速比 $i_{ex}$	Nominal Input Power 額定輸入功率 $P_{1N}$ (kW)	Nominal Output Torque 額定輸出扭矩 $T_{2N}$ (kN.m)	Accurate Ratio 精準減速比 $i_{ex}$	Nominal Input Power 額定輸入功率 $P_{1N}$ (kW)	Nominal Output Torque 額定輸出扭矩 $T_{2N}$ (kN.m)	Accurate Ratio 精準減速比 $i_{ex}$	Nominal Input Power 額定輸入功率 $P_{1N}$ (kW)	Nominal Output Torque 額定輸出扭矩 $T_{2N}$ (kN.m)	Accurate Ratio 精準減速比 $i_{ex}$	Nominal Input Power 額定輸入功率 $P_{1N}$ (kW)
1800	360	5			1127						1734*						2585*
1500	300				939	-	-	-	46	4.897	1445	-	-	-	68.6	4.967	2154
1000	200		29.91	5.002	626						963						1436
750	150				469.5						722.25						1077
1800	321	5.6			1005						1616*						2339*
1500	268				839	-	-	-	48.1	5.534	1349	-	-	-	69.6	5.613	1953
1000	179		29.9	5.483	560						901						1304
750	134				420						675.75						978
1800	286	6.3			895			1138			1503*			1760*			2210*
1500	238				745	38	6.271	947	50.2	6.296	1251	58.8	6.226	1465	73.8	6.386	1839
1000	159		29.9	6.384	497			632			835			978			1228
750	119				372.75			474			626.25			733.5			921
1800	254	7.1			795			1010			1393*			1619*			2018*
1500	211				660	38	6.875	839	52.4	7.037	1157	60.9	7.036	1345	75.9	7.138	1676
1000	141		29.9	7.053	441			561			773			899			1120
750	106				330.75			420.75			579.75			674.25			840
1800	225	8			704			895			1272*			1486*			1884*
1500	188				588	38	8	748	54	7.994	1063	63.1	8.005	1242	80	8.108	1574
1000	125		29.9	8.101	391			497			706			825			1047
750	94				293.25			372.75			529.5			618.75			785.25
1800	200	9			626			795			1130*			1365*			1698*
1500	167				522	38	8.842	664	54	8.693	944	65.2	8.947	1140	81.1	8.817	1418
1000	111		29.9	8.81	347			441			627			757			942
750	83				260.25			330.75			470.25			567.75			706.5
1800	180	10			563			716			1017*			1249*			1528*
1500	150				469	38	10.157	596	54	9.965	848	66.3	10.164	1041	81.1	10.108	1273
1000	100		29.9	10.099	313			397			565			694			849
750	75				234.75			297.75			423.75			520.5			636.75
1800	161	11.2			504			640			910*			1117*			1367*
1500	134				419	38	11.045	533	54	10.769	757	66.3	11.052	930	81.1	10.923	1137
1000	89		29.9	10.914	278			354			503			617			755
750	67				208.5			265.5			377.25			462.75			566.25
1800	144	12.5						572						999*			
1500	120				Refer B3 Series Page 29 請參考 B3 系列第 29 頁	38	12.662	477	Refer B3 Series Page 30 請參考 B3 系列第 30 頁		66.3	12.67	833	Refer B3 Series Page 30 請參考 B3 系列第 30 頁			
1000	80							318					555				
750	60							238.5					416.25				
1800	129	14						513						895*			
1500	107				Refer B3 Series Page 29 請參考 B3 系列第 29 頁	38	13.683	425	Refer B3 Series Page 30 請參考 B3 系列第 30 頁		66.3	13.692	742	Refer B3 Series Page 30 請參考 B3 系列第 30 頁			
1000	71							282					492				
750	54							211.5					369				

Note:   Forced lubrication required on horizontal gear units 注:   臥式安裝齒輪箱須採用強制潤滑  
Refer to Page 48 for Rated Thermal Capacity 請參考第 48 頁額定容量

B2 Series Bevel-Helical Right Angle Gearbox Performances Table B2 系列直交軸螺旋齒輪-斜齒輪性能表

B2 Gearbox Size 齒輪箱框號 (B2SH14/B2SV14/B2HH14/B2HV14/B2DH14/B2DV14/B2KH14/B2KV14/B2FH14/B2FV14)																	
Input Speed 輸入 轉速 $n_1$ (r/min)	Output Speed 輸出 轉速 $n_{2N}$ (r/min)	Nominal Ratio 公稱 減速比 $i_N$	14		15		16		17		18						
			Nominal Output Torque 額定輸出 出扭矩 $T_{2N}$ (kN.m)	Accurate Ratio 精準 減速比 $i_{ex}$	Nominal Input Power 額定輸入 入功率 $P_{1N}$ (kW)	Nominal Output Torque 額定輸出 出扭矩 $T_{2N}$ (kN.m)	Accurate Ratio 精準 減速比 $i_{ex}$	Nominal Input Power 額定輸入 入功率 $P_{1N}$ (kW)	Nominal Output Torque 額定輸出 出扭矩 $T_{2N}$ (kN.m)	Accurate Ratio 精準 減速比 $i_{ex}$	Nominal Input Power 額定輸入 入功率 $P_{1N}$ (kW)	Nominal Output Torque 額定輸出 出扭矩 $T_{2N}$ (kN.m)	Accurate Ratio 精準 減速比 $i_{ex}$	Nominal Input Power 額定輸入 入功率 $P_{1N}$ (kW)			
1800	360	5	-	-	-	122	4.963	4598*	-	-	-	-	-	-	-	-	-
1500	300		-	-	-	-	-	3832*	-	-	-	-	-	-	-	-	-
1000	200		-	-	-	-	-	2554	-	-	-	-	-	-	-	-	-
750	150		-	-	-	-	-	1915.4	-	-	-	-	-	-	-	-	-
1800	321	5.6	-	-	-	122	5.609	4100*	135	5.63	4537*	195	5.514	*	-	-	-
1500	268		-	-	-	-	-	3423*	-	-	3788*	-	-	*	-	-	-
1000	179		-	-	-	-	-	2286	-	-	2530	-	-	3564*	-	-	-
750	134		-	-	-	-	-	1714.5	-	-	1897.5	-	-	2740	-	-	-
1800	286	6.3	85.2	6.156	2551*	130	6.34	3893*	141	6.362	4222*	195	6.235	*	-	-	-
1500	238		-	-	2123	-	-	3239*	-	-	3513*	-	-	4859*	-	-	-
1000	159		-	-	1418	-	-	2164	-	-	2347	-	-	3246*	-	-	-
750	119		-	-	1063.5	-	-	1623	-	-	1760.25	-	-	3184	-	-	-
1800	254	7.1	87.3	6.957	2321*	132	7.132	3510*	145	7.192	3856*	195	7.012	*	230	7.239	*
1500	211		-	-	1928	-	-	2916*	-	-	3203*	-	-	4308*	-	-	*
1000	141		-	-	1288	-	-	1461	-	-	140	-	-	2879	-	-	3395*
750	106		-	-	966	-	-	-	-	-	1605	-	-	2159.25	-	-	2546
1800	225	8	91.5	7.915	2155*	132	8.101	3109*	148	8.09	3486*	195	7.965	4594*	230	8.143	*
1500	188		-	-	1801	-	-	2598	-	-	2913*	-	-	3838*	-	-	4527*
1000	125		-	-	1197	-	-	1727	-	-	1937	-	-	2552	-	-	3010
750	94		-	-	897.75	-	-	1295.25	-	-	1452.75	-	-	1914	-	-	2257.5
1800	200	9	94.6	8.847	1981*	132	8.81	2764*	148	9.19	3099*	195	8.662	4083*	230	9.25	4816*
1500	167		-	-	1654	-	-	2308	-	-	2588	-	-	3409*	-	-	4021*
1000	111		-	-	1099	-	-	1534	-	-	1720	-	-	2266	-	-	2673
750	83		-	-	824.25	-	-	1150.5	-	-	1290	-	-	1699.5	-	-	2004.75
1800	180	10	98.8	10.049	1862*	132	10.099	2487*	148	9.993	2789*	195	9.93	3675*	230	10.059	4335*
1500	150		-	-	1551	-	-	2073	-	-	2324	-	-	3062*	-	-	3612*
1000	100		-	-	1034	-	-	1382	-	-	1549	-	-	2041	-	-	2408
750	75		-	-	775.5	-	-	1036.5	-	-	1161.75	-	-	1530.75	-	-	1806
1800	161	11.2	101	10.928	1709*	132	10.914	2225*	148	11.456	2495*	195	10.731	3287*	230	11.534	3877*
1500	134		-	-	1422	-	-	1852	-	-	2076	-	-	2736*	-	-	3227*
1000	89		-	-	944	-	-	1230	-	-	1379	-	-	1817	-	-	2143
750	67		-	-	708	-	-	922.5	-	-	1034.25	-	-	1362.75	-	-	1607.25
1800	144	12.5	101	12.528	1528*	Refer B3 Series Page 30 請參考 B3 系列第 30 頁	148	12.38	2231*	Refer B3 Series Page 31 請參考 B3 系列第 31 頁	1859	230	12.462	3268*	2890*		
1500	120		-	-	1274	-	-	1239	-	-	1239	-	-	1926	1444.5		
1000	80		-	-	849	-	-	636.75	-	-	929.25	-	-				
750	60		-	-	636.75	-	-		-	-		-	-				
1800	129	14	101	13.538	1369*	Refer B3 Series Page 30 請參考 B3 系列第 30 頁	Refer B3 Series Page 31 請參考 B3 系列第 31 頁										
1500	107		-	-	1136	-	-		-	-		-	-				
1000	71		-	-	753	-	-		-	-		-	-				
750	54		-	-	564.75	-	-		-	-		-	-				

Note: Forced lubrication required on horizontal gear units 注: 臥式安裝齒輪箱須採用強制潤滑  
Refer to Page 49 for Rated Thermal Capacity 請參考第 49 頁額定容量

B3 Frame Size 框號: 4~9 Ratio 減速比: 12.5~90

B3 Series Bevel-Helical Right Angle Gearbox Performances Table B3 系列直交軸螺旋齒輪-斜齒輪性能表

B3 Gearbox Size 齒輪箱框號 (B3SH4 / B3SV4 / B3HH4 / B3HV4 / B3DH4 / B3DV4 / B3KH4 / B3KV4 / B3FH4 / B3FV4)																				
Input Speed 輸入轉速 n <sub>1</sub> (r/min)	Output Speed 輸出轉速 n <sub>2</sub> (r/min)	Nominal Ratio 公稱減速比 i <sub>N</sub>	4			5			6			7			8			9		
			Nominal Output Torque 額定輸出扭矩 T <sub>2N</sub> (kN.m)	Accurate Ratio 精準減速比 i <sub>ex</sub>	Nominal Input Power 額定輸入功率 P <sub>1N</sub> (kW)	Nominal Output Torque 額定輸出扭矩 T <sub>2N</sub> (kN.m)	Accurate Ratio 精準減速比 i <sub>ex</sub>	Nominal Input Power 額定輸入功率 P <sub>1N</sub> (kW)	Nominal Output Torque 額定輸出扭矩 T <sub>2N</sub> (kN.m)	Accurate Ratio 精準減速比 i <sub>ex</sub>	Nominal Input Power 額定輸入功率 P <sub>1N</sub> (kW)	Nominal Output Torque 額定輸出扭矩 T <sub>2N</sub> (kN.m)	Accurate Ratio 精準減速比 i <sub>ex</sub>	Nominal Input Power 額定輸入功率 P <sub>1N</sub> (kW)	Nominal Output Torque 額定輸出扭矩 T <sub>2N</sub> (kN.m)	Accurate Ratio 精準減速比 i <sub>ex</sub>	Nominal Input Power 額定輸入功率 P <sub>1N</sub> (kW)	Nominal Output Torque 額定輸出扭矩 T <sub>2N</sub> (kN.m)	Accurate Ratio 精準減速比 i <sub>ex</sub>	Nominal Input Power 額定輸入功率 P <sub>1N</sub> (kW)
1800	144	12.5	5.5	12.258	82	9.4	12.611	141	Refer B2 Series Page 26 請參考 B2 系列第 26 頁	17	12.261	256	Refer B2 Series Page 26 請參考 B2 系列第 26 頁	28	12.606	422	28	12.606	351	
1500	120				69			118				213				351				
1000	80				46			78				142				234				
750	60				34.5			58.5				107				176				
1800	129	14	6	13.484	81	9.8	13.964	132	Refer B2 Series Page 26 請參考 B2 系列第 26 頁	18.2	13.515	245	Refer B2 Series Page 26 請參考 B2 系列第 26 頁	29.5	14.137	398	29.5	14.137	330	
1500	107				67			109				203				330				
1000	71				44			72				135				219				
750	54				33			54				101				164				
188	113	16	6.6	15.694	78	10.5	15.542	124	12	15.63	14.985	234	21.5	15.775	366	31	15.959	254		
1500	94				64			103				194			305					
1000	63				43			69				130			204					
750	47				32.25			51.75				98			153					
1800	100	18	6.7	17.482	70	11.3	17.407	118	12.6	17.307	17.692	220	23.1	17.041	354	33.9	17.963	241		
1500	83				58			98				183			294					
1000	56				39			66				123			198					
750	42				29.25			49.5				92			149					
1800	90	20	6.7	19.614	63	11.6	19.645	109	13.2	19.63	19.948	204	25	18.895	336	35.7	20.259	235		
1500	75				52			91				170			280					
1000	50				35			60				113			186					
750	38				26.25			45				85			140					
1800	80	22.4	6.7	21.919	56	11.6	21.954	97	14.2	21.575	22.146	181	26.55	22.308	299	35.7	22.208	221		
1500	67				47			81				152			250					
1000	45				31			54				102			168					
750	33				23.25			40.5				77			126					
1800	72	25	6.7	25.38	50	11.6	25.421	87	15.5	24.349	25.446	163	27.2	25.152	269	35.7	25.843	205		
1500	60				42			72				136			224					
1000	40				28			48				90			149					
750	30				21			36				68			112					
1800	64	28	6.7	27.836	44	11.6	27.881	77	15.5	27.211	28.125	145	27.2	27.923	239	35.7	28.563	182		
1500	54				37			65				122			201					
1000	36				25			43				81			134					
750	27				18.75			32.25				61			101					
1800	57	31.5	6.7	30.196	39	11.6	30.245	69	15.5	31.508	30.509	129	27.2	32.084	213	35.7	30.985	162		
1500	48				33			58				109			179					
1000	30				22			38				72			119					
750	20				16.5			28.5				54			89					
1800	51	35.5	6.7	34.771	35	11.6	34.827	61	15.5	34.557	35.131	115	27.2	35.461	190	35.7	35.679	145		
1500	42				29			51				95			157					
1000	28				19			34				63			104					
750	21				14.25			25.5				47			78					
1800	45	40	6.7	39.487	31	11.6	39.551	54	15.5	37.486	39.896	102	27.2	38.468	168	35.7	41.045	128		
1500	38				26			46				86			142					
1000	25				17			30				56			93					
750	18.8				12.75			22.5				42			70					
1800	40	45	6.7	43.077	28	11.6	43.146	48	15.5	43.166	45.523	90	27.2	44.296	149	35.7	44.202	113		
1500	33				23			40				74			123					
1000	22				15			26				49			82					
750	16.4				11.25			19.5				37			62					
1800	36	50	6.7	49.495	25	11.6	49.574	43	15.5	49.021	50.008	81	27.2	50.304	134	35.7	50.787	102		
1500	30				21			36				68			112					
1000	20				14			24				45			75					
750	15				10.5			18				34			56					
1800	32	56	6.7	55.309	22	11.6	55.398	38	15.5	53.477	55.881	72	27.2	54.877	119	35.7	56.753	91		
1500	27				18			32				61			100					
1000	17.9				12			21				40			66					
750	13.5				9			15.75				30			50					
1800	29	63	6.6	60.494	20	11.4	60.591	34	15.5	61.444	61.12	64	27.2	63.053	108	35.7	62.074	82		
1500	24				16			28				53			89					
1000	15.9				10			18				35			59					
750	11.9				7.5			13.5				26			44					
1800	25	71	6.6	70	17	11	70.113	28	15.5	68.662	70.725	52	27.2	70.459	89	35.7	71.828	71		
1500	21				14			24				43			74					
1000	14.1				9.7			16				22			50					
750	10.6				7.275			12				16.5			38					
1800	23	80	-	-	33	-	-	33	14	75.099	-	64	26.9	77.065	119	-	-	64		
1500	18.8				27			38				51			119					
1000	12.5				18			27				40			66					
750	9.4				13.5			21.75				30			50					
1800	20	90	-	-	29	-	-	29	14	86.9	-	29	25.2	89.175	100	-	-	52		
1500	16.7				24			34				43			100					
1000	11.1				16			22				29			66					
750	8.3				12			16.5				22			50					

Refer to Page 50~51 for Rated Thermal Capacity 請參考第 50~51 頁額定容量



**B3 Series Bevel-Helical Right Angle Gearbox Performances Table B3 系列直交軸螺旋齒輪-斜齒輪性能表**

B3 Gearbox Size 齒輪箱框號 (B3SH10 / B3SV10 / B3HH10 / B3HV10 / B3DH10 / B3DV10 / B3KH10 / B3KV10 / B3FH10 / B3FV10)																				
Input Speed 輸入轉速 n <sub>1</sub> (r/min)	Output Speed 輸出轉速 n <sub>2N</sub> (r/min)	Nominal Ratio 公稱減速比 i <sub>N</sub>	10		11		12		13		14		15							
			Nominal Output Torque 額定輸出扭矩 T <sub>2N</sub> (kN.m)	Accurate Ratio 精準減速比 i <sub>ex</sub>	Nominal Input Power 額定輸入功率 P <sub>1N</sub> (kW)	Nominal Output Torque 額定輸出扭矩 T <sub>2N</sub> (kN.m)	Accurate Ratio 精準減速比 i <sub>ex</sub>	Nominal Input Power 額定輸入功率 P <sub>1N</sub> (kW)	Nominal Output Torque 額定輸出扭矩 T <sub>2N</sub> (kN.m)	Accurate Ratio 精準減速比 i <sub>ex</sub>	Nominal Input Power 額定輸入功率 P <sub>1N</sub> (kW)	Nominal Output Torque 額定輸出扭矩 T <sub>2N</sub> (kN.m)	Accurate Ratio 精準減速比 i <sub>ex</sub>	Nominal Input Power 額定輸入功率 P <sub>1N</sub> (kW)	Nominal Output Torque 額定輸出扭矩 T <sub>2N</sub> (kN.m)	Accurate Ratio 精準減速比 i <sub>ex</sub>	Nominal Input Power 額定輸入功率 P <sub>1N</sub> (kW)			
1800	144	12.5	Refer B2 Series Page 27 請參考 B2 系列第 27 頁		52.4	12.751	790	Refer B2 Series Page 27 請參考 B2 系列第 27 頁		79	12.516	1198	Refer B2 Series Page 27 請參考 B2 系列第 27 頁		132	12.308	1990*			
1500	120		658	998			1658													
1000	80		438	665			1105													
750	60	329	499	829																
1800	129	14	Refer B2 Series Page 27 請參考 B2 系列第 27 頁		56.7	13.821	765	Refer B2 Series Page 27 請參考 B2 系列第 27 頁		81.6	13.721	1198	Refer B2 Series Page 27 請參考 B2 系列第 27 頁		137	13.81	1658			
1500	107		635	914			1534													
1000	71		421	606			1018													
750	54	316	455	764																
1800	113	16	35.6	15.804	59.5	15.452	708	66.3	16.212	83.8	16.062	991	99.4	15.513	142	15.286	1680*			
1500	94						350					824					1397			
1000	63						234					552					936			
750	47	176	414	702																
1800	100	18	37.5	17.724	62	17.393	649	69.5	17.572	86.7	17.978	907	102	17.007	148	17.262	1549*			
1500	83						392					753					1286			
1000	56						325					508					867			
750	42	219	381	650																
1800	90	20	39.3	20.009	63.5	19.744	598	72.7	19.645	90.7	20.276	854	105	19.908	153	19.379	1441*			
1500	75						370					712					1201			
1000	50						308					474					801			
750	38	205	356	601																
1800	80	22.4	41.8	22.52	63.5	21.643	531	75.6	22.114	90.7	22.226	759	108	22.282	153	21.9	1281*			
1500	67						293					636					1073			
1000	45						196					427					720			
750	33	147	320	540																
1800	72	25	43.8	25.4	63.5	25.185	478	77.2	25.103	90.7	25.864	683	113	25.131	153	24.916	1153*			
1500	60						330					569					961			
1000	40						275					379					640			
750	30	183	284	480																
1800	64	28	43.8	27.842	63.5	27.836	425	77.2	27.517	90.7	28.587	607	113	27.578	153	27.847	1025*			
1500	54						293					512					865			
1000	36						247					341					576			
750	27	165	256	432																
1800	57	31.5	43.8	32.4	63.5	31.975	379	77.2	32.021	90.7	32.838	541	113	32.057	153	31.634	913*			
1500	48						261					455					769			
1000	30						220					303					512			
750	22	146	227	384																
1800	51	35.5	43.8	35.811	63.5	34.771	159	77.2	35.392	90.7	35.709	227	113	35.432	153	34.4	817*			
1500	42						233					484					672			
1000	28						192					398					448			
750	21	128	265	336																
1800	45	40	43.8	38.846	63.5	40	206	77.2	40.654	90.7	41.079	427	113	40.7	153	9.573	720*			
1500	38						174					360					608			
1000	25						114					237					400			
750	18.8	86	178	300																
1800	40	45	43.8	44.732	63.5	43.077	183	77.2	44.209	90.7	44.238	379	113	44.259	153	42.617	640*			
1500	33						151					313					528			
1000	22						100					208					352			
750	16.7	75	156	264																
1800	36	50	43.8	51.459	63.5	49.495	239	77.2	50.857	90.7	50.83	341	113	50.914	153	48.966	576			
1500	30						137					287					480			
1000	20						91					189					320			
750	15	68	142	240																
1800	32	56	43.8	55.417	63.5	55.309	212	77.2	54.769	90.7	56.8	303	113	54.831	153	54.718	512			
1500	27						146					256					432			
1000	17.9						123					170					286			
750	13.4	82	128	215																
1800	29	63	43.8	63.674	63.5	60.494	192	77.2	62.929	90.7	62.125	275	113	63	153	59.847	464			
1500	24						133					227					384			
1000	15.9						110					151					254			
750	11.9	72	113	191																
1800	25	71	43.8	71.153	60	70	157	77.2	70.321	90.7	71.888	202	113	70.4	153	69.252	400			
1500	21						114					199					336			
1000	14.1						96					133					225			
750	10.6	64	100	169																
1800	23	80	43.8	77.824	Refer B4 Series Page 34 請參考 B4 系列第 34 頁		105	77.2	76.914	Refer B4 Series Page 34 請參考 B4 系列第 34 頁		113	77	Refer B4 Series Page 34 請參考 B4 系列第 34 頁		169				
1500	18.8				86	222	347													
1000	12.5				57	147	210													
750	9.4	43	110	169																
1800	20	90	43	90.053	Refer B4 Series Page 34 請參考 B4 系列第 34 頁		90	75	89	Refer B4 Series Page 34 請參考 B4 系列第 34 頁		113	89.1	Refer B4 Series Page 34 請參考 B4 系列第 34 頁		236				
1500	16.7				75	197	300													
1000	11.1				49	131	211													
750	8.3	37	98	169																

Note:   Forced lubrication required on horizontal gear units 注:   臥式安裝齒輪箱須採用強制潤滑

Refer to Page 51-52 for Rated Thermal Capacity 請參考第 51-52 頁額定容量

# B3 Frame Size 框號: 16~21 Ratio 減速比: 12.5~90

## B3 Series Bevel-Helical Right Angle Gearbox Performances Table B3 系列直交軸螺旋齒輪-斜齒輪性能表

B3 Gearbox Size 齒輪箱框號 (B3SH16 / B3SV16 / B3HH16 / B3HV16 / B3DH16 / B3DV16 / B3KH16 / B3KV16 / B3FH16 / B3FV16)																						
Input Speed 輸入轉速 n <sub>1</sub> (r/min)	Output Speed 輸出轉速 n <sub>2N</sub> (r/min)	Nominal Ratio 公稱減速比 i <sub>N</sub>	16			17			18			19			20			21				
			Nominal Output Torque 額定輸出扭矩 T <sub>2N</sub> (kN.m)	Accurate Ratio 精準減速比 i <sub>ex</sub>	Nominal Input Power 額定輸入功率 P <sub>1N</sub> (kW)	Nominal Output Torque 額定輸出扭矩 T <sub>2N</sub> (kN.m)	Accurate Ratio 精準減速比 i <sub>ex</sub>	Nominal Input Power 額定輸入功率 P <sub>1N</sub> (kW)	Nominal Output Torque 額定輸出扭矩 T <sub>2N</sub> (kN.m)	Accurate Ratio 精準減速比 i <sub>ex</sub>	Nominal Input Power 額定輸入功率 P <sub>1N</sub> (kW)	Nominal Output Torque 額定輸出扭矩 T <sub>2N</sub> (kN.m)	Accurate Ratio 精準減速比 i <sub>ex</sub>	Nominal Input Power 額定輸入功率 P <sub>1N</sub> (kW)	Nominal Output Torque 額定輸出扭矩 T <sub>2N</sub> (kN.m)	Accurate Ratio 精準減速比 i <sub>ex</sub>	Nominal Input Power 額定輸入功率 P <sub>1N</sub> (kW)	Nominal Output Torque 額定輸出扭矩 T <sub>2N</sub> (kN.m)	Accurate Ratio 精準減速比 i <sub>ex</sub>	Nominal Input Power 額定輸入功率 P <sub>1N</sub> (kW)		
1800	144	12.5	Refer B2 Series Page 28 請參考 B2 系列第 28 頁			195	12.297	2940*	Refer B2 Series Page 28 請參考 B2 系列第 28 頁			250	12.326	3769*	Refer B2 Series Page 28 請參考 B2 系列第 28 頁			340	12.499	4272*		
1500	120							2450						3141*						3848		
1000	80							1633						2094						2886		
750	60							1225						1571						2886		
1800	129		14	148	13.832	1999*	195	13.79	2634*	230	14.28	3106*	262	13.709	3539*	295	14.062	3984*	360	13.902	4862*	
1500	107						1658						2935*						4033*			
1000	71						1100						1947						2676			
750	54						837						1460						2007			
1800	113	16		154	15.665	1822*	200	15.655	2366*	230	16.014	2721*	275	15.333	3253*	308	15.64	3644*	380	15.549	4496*	
1500	94							1515						2706*						3704*		
1000	63							1015						1814						2506		
750	47							757						1361						1880		
1800	100		18	160	17.29	1675*	200	17.522	2094*	240	17.472	2513*	288	17.267	3015*	320	17.493	3350*	400	17.51	4188*	
1500	83						1390						2503*						3476*			
1000	56						938						1407						2345			
750	42						703						1055						1759			
1800	90	20		167	19.581	1573*	200	19.762	1884*	240	20.348	2261*	300	19.607	2827*	332	19.698	3128*	420	19.883	3958*	
1500	75							1311						2356*						3298*		
1000	50							874						1570						2198		
750	38							665						1178						1649		
1800	80		22.4	173	21.982	1449*	200	22.333	1675*	240	22.95	2010*	300	22.158	2513*	345	22.368	2890*	420	22.47	3518*	
1500	67						1213						2104						2946*			
1000	45						815						1413						1976			
750	33						598						1060						1482			
1800	72	25		173	24.842	1304*	200	25.409	1507*	240	25.936	1809*	300	25.048	2261*	345	25.278	2601*	420	25.4	3166*	
1500	60							1086						1507						2638*		
1000	40							724						1005						1759		
750	30							543						754						1319		
1800	64		28	173	28.263	1159*	200	28.398	1340*	240	29.507	1608*	300	28.175	2010*	345	28.576	2312*	420	28.571	2814*	
1500	54						978						1357						2374			
1000	36						652						904						1583			
750	27						489						678						1187			
1800	57	31.5		173	31.588	1032*	200	32.259	1193*	240	32.979	1432*	300	32.005	1790*	345	32.143	2059*	420	32.456	2506*	
1500	48							869						1206						2110		
1000	30							579						804						1407		
750	21							435						603						1055		
1800	51		35.5	173	35.883	923*	200	35.08	1068*	240	37.463	1281*	300	34.804	1602*	345	36.513	1842*	420	35.294	2242*	
1500	42						760						1055						1847			
1000	28						507						703						1231			
750	21						380						527						923			
1800	45	40		173	39.021	815*	200	40.355	942*	240	40.738	1130*	300	40.038	1413*	345	39.706	1625*	420	40.602	1979*	
1500	38							688						954						1671		
1000	25							452						628						1099		
750	18.8							341						471						824		
1800	40		45	173	44.732	724*	200	43.46	837*	240	46.864	1005*	300	43.117	1256*	345	45.677	1445*	420	43.725	1759*	
1500	33						597						829						1451			
1000	22						398						552						967			
750	16.7						303						414						725			
1800	36	50		173	48.341	652*	200	49.935	753*	240	50.469	904*	300	49.541	1130*	345	49.19	1300*	420	50.239	1583*	
1500	30							543						753						1319		
1000	20							362						502						879		
750	15							272						377						659		
1800	32		56	173	55.055	579	200	55.8	670*	240	57.989	804*	300	55.361	1005*	345	56.519	1156*	420	56.14	1407*	
1500	27						489						677						1187			
1000	17.9						324						449						787			
750	13.4						243						337						590			
1800	29	63		173	61.892	525	200	61.031	607*	240	64.8	728*	300	60.551	910*	345	63.518	1047*	420	61.404	1275*	
1500	24							435						603						1055		
1000	15.9							288						399						699		
750	11.9							216						299						524		
1800	25		71	173	68.239	452	200	70.622	523*	240	70.875	628*	300	70.066	785*	345	69.079	903*	420	71.053	1099*	
1500	21						380						527						923			
1000	14.1						255						354						620			
750	10.6						192						266						465			
1800	23	80		173	77.761	416	200	77.761	478*	240	82.013	578*	300	82.013	758*	345	79.934	830*	420	79.934	1099*	
1500	18.8							341	Refer B4 Series Page 35 請參考 B4 系列第 35 頁					472	Refer B4 Series Page 35 請參考 B4 系列第 35 頁					679	Refer B4 Series Page 35 請參考 B4 系列第 35 頁	
1000	12.5							226						314						451		
750	9.4							170						236						338		
1800	20		90	Refer B4 Series Page 35 請參考 B4 系列第 35 頁																		
1500	16.7																					
1000	11.1																					
750	8.3																					

Note:   Forced lubrication required on horizontal gear units 注:   臥式安裝齒輪箱須採用強制潤滑

Refer to Page 52~53 for Rated Thermal Capacity 請參考第 52~53 頁額定容量



# B3 Frame Size 框號: 22~26 Ratio 減速比: 12.5~90

**B3 Series Bevel-Helical Right Angle Gearbox Performances Table B3 系列直交軸螺旋齒輪-斜齒輪性能表**

B3 Gearbox Size 齒輪箱框號 (B3SH22 / B3SV22 / B3HH22 / B3HV22 / B3DH22 / B3DV22 / B3KH22 / B3VH22 / B3FH22 / B3FH22)																					
Input Speed 輸入轉速 n <sub>1</sub> (r/min)	Output Speed 輸出轉速 n <sub>2N</sub> (r/min)	Nominal Ratio 公稱減速比 i <sub>N</sub>	22			23			24			25			26						
			Nominal Output Torque 額定輸出扭矩 T <sub>2N</sub> (kN.m)	Accurate Ratio 精準減速比 i <sub>ex</sub>	Nominal Input Power 額定輸入功率 P <sub>1N</sub> (kW)	Nominal Output Torque 額定輸出扭矩 T <sub>2N</sub> (kN.m)	Accurate Ratio 精準減速比 i <sub>ex</sub>	Nominal Input Power 額定輸入功率 P <sub>1N</sub> (kW)	Nominal Output Torque 額定輸出扭矩 T <sub>2N</sub> (kN.m)	Accurate Ratio 精準減速比 i <sub>ex</sub>	Nominal Input Power 額定輸入功率 P <sub>1N</sub> (kW)	Nominal Output Torque 額定輸出扭矩 T <sub>2N</sub> (kN.m)	Accurate Ratio 精準減速比 i <sub>ex</sub>	Nominal Input Power 額定輸入功率 P <sub>1N</sub> (kW)	Nominal Output Torque 額定輸出扭矩 T <sub>2N</sub> (kN.m)	Accurate Ratio 精準減速比 i <sub>ex</sub>	Nominal Input Power 額定輸入功率 P <sub>1N</sub> (kW)				
1800	144	12.5	-	-	-	-	-	-	-	-	-	-	-	-	-	-	-				
1500	120		-	-	-	-	-	-	-	-	-	-	-	-	-	-	-				
1000	80		-	-	-	-	-	-	-	-	-	-	-	-	-	-	-				
750	60		-	-	-	-	-	-	-	-	-	-	-	-	-	-	-				
1800	129		-	-	-	-	-	-	-	-	-	-	-	-	-	-	-				
1500	107	14	405	13.97	4537*	-	-	-	-	-	-	-	-	-	-	-	-				
1000	71		-	-	3010	-	-	-	-	-	-	-	-	-	-	-	-				
750	54		-	-	2258	-	-	-	-	-	-	-	-	-	-	-	-				
1800	113		-	-	4993*	-	-	-	-	-	-	-	-	-	-	-	-				
1500	94		16	422	15.538	4153*	-	-	-	-	-	-	-	-	-	-	-	-			
1000	63	-		-	2783	-	-	-	-	-	-	-	-	-	-	-	-				
750	47	-		-	2087	-	-	-	-	-	-	-	-	-	-	-	-				
1800	100	-		-	4586*	-	-	-	-	-	-	-	-	-	-	-	-				
1500	83	18		428	17.378	3806*	-	-	-	-	-	-	-	-	-	-	-	-			
1000	56		-	-	2568	-	-	-	-	-	-	-	-	-	-	-	-				
750	42		-	-	1926	-	-	-	-	-	-	-	-	-	-	-	-				
1800	90		-	-	4287*	-	-	-	-	-	-	-	-	-	-	-	-				
1500	75		20	455	19.57	3573*	560	19.591	4397*	-	-	-	800	-	4188*	-	-	-			
1000	50	-		-	2382	-	-	2931	-	-	-	-	-	3141	-	-	-				
750	38	-		-	1787	-	-	2198	-	-	-	-	-	-	-	-	-				
1800	80	-		-	3937*	-	-	-	-	-	-	-	-	-	-	-	-				
1500	67	22.4		470	22.222	3297*	560	22.139	3928*	640	21.98	4490*	800	21.793	3769*	900	-	-			
1000	45		-	-	2214	-	-	2638*	-	-	3015	-	-	3769*	-	-	4240*				
750	33		-	-	1661	-	-	1979	-	-	2261	-	-	2827	-	-	3180				
1800	72		-	-	3543*	-	-	-	-	-	-	-	-	-	-	-	-				
1500	60		25	470	25.113	2952*	560	25.027	3518*	640	24.783	4020*	800	24.635	3350*	900	25.095	3769*			
1000	40	-		-	1968	-	-	2345	-	-	2680	-	-	3350*	-	-	2827				
750	30	-		-	1476	-	-	1759	-	-	2010	-	-	2513	-	-	-				
1800	64	-		-	3149*	-	-	-	-	-	-	-	-	-	-	-	-				
1500	54	28		470	28.389	2657*	560	28.151	3166*	640	28.015	3618*	800	27.711	4523*	900	28.368	3392*			
1000	36		-	-	1771	-	-	2110	-	-	2414	-	-	3015	-	-	2544				
750	27		-	-	1328	-	-	1583	-	-	1811	-	-	2261	-	-	-				
1800	57		-	-	2805*	-	-	-	-	-	-	-	-	-	-	-	-				
1500	48		31.5	470	31.933	2362	560	31.979	2814*	640	31.513	3216*	800	31.478	4020*	900	31.909	4523*			
1000	80	-		-	1574	-	-	1876	-	-	2144	-	-	2680	-	-	3015				
750	60	-		-	1181	-	-	1407	-	-	1608	-	-	2010	-	-	2261				
1800	51	-		-	2509*	-	-	-	-	-	-	-	-	-	-	-	-				
1500	42	35.5		470	36.275	2067	560	34.775	2462	640	35.797	2814*	800	34.231	3518*	900	36.248	3358*			
1000	28		-	-	1378	-	-	1641	-	-	1876	-	-	2345	-	-	2638				
750	21		-	-	1034	-	-	1231	-	-	1407	-	-	1759	-	-	1979				
1800	45		-	-	2214*	-	-	-	-	-	-	-	-	-	-	-	-				
1500	38		40	470	39.446	1870	560	40.004	2228	640	38.927	2546	800	39.378	3183*	900	39.417	3581*			
1000	25	-		-	1230	-	-	1465	-	-	1675	-	-	2094	-	-	2356				
750	18.8	-		-	923	-	-	1099	-	-	1256	-	-	1571	-	-	1767				
1800	40	-		-	1968*	-	-	-	-	-	-	-	-	-	-	-	-				
1500	33	45		470	45.378	1624	560	43.082	1935	640	44.781	2211	800	42.407	2764	900	45.345	3109*			
1000	22		-	-	1082	-	-	1290	-	-	1474	-	-	1842	-	-	2073				
750	16.7		-	-	812	-	-	968	-	-	1106	-	-	1382	-	-	1555				
1800	36		-	-	1771*	-	-	-	-	-	-	-	-	-	-	-	-				
1500	30		50	470	48.869	1476	560	49.5	1759	640	48.226	2010	800	48.725	2513	900	48.833	2827			
1000	20	-		-	984	-	-	1172	-	-	1340	-	-	1675	-	-	1887				
750	15	-		-	738	-	-	879	-	-	1005	-	-	1256	-	-	1413				
1800	32	-		-	1574*	-	-	-	-	-	-	-	-	-	-	-	-				
1500	27	56		470	56.15	1328	560	55.315	1583	640	55.411	1809	800	55.449	2261	900	56.108	2544			
1000	17.9		-	-	880	-	-	1049	-	-	1199	-	-	1499	-	-	1686				
750	13.4		-	-	660	-	-	787	-	-	899	-	-	1124	-	-	1265				
1800	29		-	-	1427*	-	-	-	-	-	-	-	-	-	-	-	-				
1500	24		63	470	62.745	1184	560	60.501	1407	640	61.92	1608	800	59.553	2010	900	62.699	2261			
1000	15.9	-		-	782	-	-	932	-	-	1065	-	-	1331	-	-	1498				
750	11.9	-		-	587	-	-	699	-	-	799	-	-	998	-	-	1124				
1800	25	-		-	1230*	-	-	-	-	-	-	-	-	-	-	-	-				
1500	21	71		470	68.627	1033	560	70.008	1231	640	67.724	1407	800	68.912	1759	900	68.577	1979			
1000	14.1		-	-	693	-	-	826	-	-	944	-	-	1181	-	-	1328				
750	10.6		-	-	520	-	-	620	-	-	708	-	-	886	-	-	996				
1800	23		-	-	1131*	-	-	-	-	-	-	-	-	-	-	-	-				
1500	18.8		80	470	79.412	925	Refer B4 Series Page 36 請參考 B4 系列第 36 頁			640	78.367	1259	Refer B4 Series Page 36 請參考 B4 系列第 36 頁			-	-	-			
1000	12.5	-		-	615				-	-	837				-	-	-				
750	9.4	-		-	461				-	-	628				-	-	-				
1800	20	-		-	-				Refer B4 Series Page 36 請參考 B4 系列第 36 頁												
1500	16.7	90		-	-																
1000	11.1		-	-	-																
750	8.3		-	-	-																

Note:   Forced lubrication required on horizontal gear units 注:   臥式安裝齒輪箱須採用強制潤滑  
Refer to Page 53 for Rated Thermal Capacity 請參考第 53 頁額定容量

B4 Frame Size 框號: 5~9 Ratio 減速比: 80~400

B4 Series Bevel-Helical Right Angle Gearbox Performances Table B4 系列直交軸螺旋齒輪-斜齒輪性能表

Input Speed 輸入 轉速 n <sub>1</sub> (r/min)	Output Speed 輸出 轉速 n <sub>2N</sub> (r/min)	Nominal Ratio 公稱 減速比 i <sub>N</sub>	B4 Gearbox Size 齒輪箱框號 (B4SH5 / B4SV5 / B4HH5 / B4HV5 / B4DH5 / B4DV5 / B4KH5 / B4KV5 / B4FH5 / B4FV5)																											
			5			6			7			8			9															
			Nominal Output Torque 額定輸出 扭矩 T <sub>2N</sub> (kN.m)	Accurate Ratio 精準 減速比 i <sub>ex</sub>	Nominal Input Power 額定輸入 功率 P <sub>IN</sub> (kW)	Nominal Output Torque 額定輸出 扭矩 T <sub>2N</sub> (kN.m)	Accurate Ratio 精準 減速比 i <sub>ex</sub>	Nominal Input Power 額定輸入 功率 P <sub>IN</sub> (kW)	Nominal Output Torque 額定輸出 扭矩 T <sub>2N</sub> (kN.m)	Accurate Ratio 精準 減速比 i <sub>ex</sub>	Nominal Input Power 額定輸入 功率 P <sub>IN</sub> (kW)	Nominal Output Torque 額定輸出 扭矩 T <sub>2N</sub> (kN.m)	Accurate Ratio 精準 減速比 i <sub>ex</sub>	Nominal Input Power 額定輸入 功率 P <sub>IN</sub> (kW)	Nominal Output Torque 額定輸出 扭矩 T <sub>2N</sub> (kN.m)	Accurate Ratio 精準 減速比 i <sub>ex</sub>	Nominal Input Power 額定輸入 功率 P <sub>IN</sub> (kW)													
1800	23	80			27														85											
1500	18.8				22														70											
1000	12.5		11.6	77.598	15				Refer B3 Series Page 29 請參考 B3 系列第 29 頁	21.7	79.267								Refer B3 Series Page 29 請參考 B3 系列第 29 頁	35.7	79.497	46								
750	9.4				11.3															35										
1800	20				24															74										
1500	16.7	90			20														62											
1000	11.1		11.6	86.72	13				Refer B3 Series Page 29 請參考 B3 系列第 29 頁	21.7	8.585								Refer B3 Series Page 29 請參考 B3 系列第 29 頁	8.84	88.842	41								
750	8.3				9.8															56										
1800	18				21															67										
1500	15		100			18														56										
1000	10	11.6		100.413	12			15.5	96.178	24			21.7	102.572				27.2	99.945	42	28	35.7	102.869	37						
750	7.5				9					12										21					28					
1800	16.1				19					26										40						60				
1500	13.4	112				16				21										30							50			
1000	8.9		11.6	110.13	10			15.5	107.487	14			21.7	112.498					20							33				
750	6.7				7.5					10.5										15							25			
1800	14.4				17					23										32							53			
1500	12		125			14				19										27								44		
1000	8	11.6		119.466	9.7			15.5	124.455	12			21.7	122.035					18								29			
750	6				7.3					9										13.5								22		
1800	12.9				15					20										29								48		
1500	10.7	140				12				17										24								39		
1000	7.4		11.6	137.567	8.6			15.5	136.499	11			21.7	140.525					16									26		
750	5.4				6.5					8.3										12									20	
1800	11.3				13					18										25									42	
1500	9.4		160			11				15										21									35	
1000	6.3	11.6		156.225	7.6			15.5	148.071	10			21.7	159.585					14										23	
750	4.7				5.7					7.5										10.5									17	
1800	10				12					16										22									37	
1500	8.3	180				10				13										18									31	
1000	5.6		11.6	170.427	6.8			15.5	170.506	9			21.7	174.092					12										20	
750	4.2				5.1					6.8										9									15	
1800	9				10					14										20									33	
1500	7.5		200			9.1				12										17									28	
1000	5	11.6		195.819	6			15.5	193.631	8.1			21.7	200.03					11										18	
750	3.8				4.5					6.1										8.3									14	
1800	8				9.7					12										18									29	
1500	6.7	224				8.1				10										15									25	
1000	4.5		11.6	218.82	5.4			15.5	211.234	7.3			21.7	223.526					10										16	
750	3.3				4.1					5.5										7.5									12	
1800	7.2				8.7					11										16									26	
1500	6		250			7.2				9.7										13									22	
1000	4	11.6		239.335	4.8			15.5	242.706	6.4			21.7	244.481					9										14	
750	3				3.6					4.8										6.8										11
1800	6.4				7.7					10										14									23	
1500	5.4	280				6.5				8.7										12									19	
1000	3.6		11.6	276.944	4.3			15.5	271.214	5.8			21.7	282.9					8.1										13	
750	2.7				3.2					4.4										6.1										10
1800	5.7				6.6					9.2										12										20
1500	4.8		315			5.6				7.7										10									17	
1000	3.2	11.2		300.023	3.7			15.5	296.64	5.1			20.5	306.475					6.8										11	
750	2.4				2.8					3.8										5.1										8
1800	5.1									8.2											14									
1500	4.2	355								6.8											11									
1000	2.8		-	-	-			15.5	343.255	4.5			-	-	-					26.5										
750	2.1									3.4											7.7									
1800	4.5									6.8											12									
1500	3.8		400							5.7											10									
1000	2.5	-		-	-			14.5	371.86	3.7			-	-	-					25.5										
750	1.5									2.8											6.6									
																					5									

Refer to Page 54 for Rated Thermal Capacity 請參考第 54 頁額定容量

# B4 Frame Size 框號: 10~15 Ratio 減速比: 80~400

## B4 Series Bevel-Helical Right Angle Gearbox Performances Table B4 系列直交軸螺旋齒輪-斜齒輪性能表

B4 Gearbox Size 齒輪箱框號 (B4SH10 / B4SV10 / B4HH10 / B4HV10 / B4DH10 / B4DV10 / B4KH10 / B4KV10 / B4FH10 / B4FV10)																				
Input Speed 輸入 轉速 n <sub>1</sub> (r/min)	Output Speed 輸出 轉速 n <sub>2N</sub> (r/min)	Nominal Ratio 公稱 減速比 i <sub>N</sub>	10			11			12			13			14			15		
			Nominal Output Torque 額定輸出 扭矩 T <sub>2N</sub> (kN.m)	Accurate Ratio 精準 減速比 i <sub>ex</sub>	Nominal Input Power 額定輸入 功率 P <sub>1N</sub> (kW)	Nominal Output Torque 額定輸出 扭矩 T <sub>2N</sub> (kN.m)	Accurate Ratio 精準 減速比 i <sub>ex</sub>	Nominal Input Power 額定輸入 功率 P <sub>1N</sub> (kW)	Nominal Output Torque 額定輸出 扭矩 T <sub>2N</sub> (kN.m)	Accurate Ratio 精準 減速比 i <sub>ex</sub>	Nominal Input Power 額定輸入 功率 P <sub>1N</sub> (kW)	Nominal Output Torque 額定輸出 扭矩 T <sub>2N</sub> (kN.m)	Accurate Ratio 精準 減速比 i <sub>ex</sub>	Nominal Input Power 額定輸入 功率 P <sub>1N</sub> (kW)	Nominal Output Torque 額定輸出 扭矩 T <sub>2N</sub> (kN.m)	Accurate Ratio 精準 減速比 i <sub>ex</sub>	Nominal Input Power 額定輸入 功率 P <sub>1N</sub> (kW)	Nominal Output Torque 額定輸出 扭矩 T <sub>2N</sub> (kN.m)	Accurate Ratio 精準 減速比 i <sub>ex</sub>	Nominal Input Power 額定輸入 功率 P <sub>1N</sub> (kW)
1800	23	80						148												368
1500	18.8		Refer B3 Series Page 30 請參考 B3 系列第 30 頁			61.6	80.949	121		Refer B3 Series Page 30 請參考 B3 系列第 30 頁		90.7	82.118	178		Refer B3 Series Page 30 請參考 B3 系列第 30 頁		163	78.131	301
1000	12.5							80												200
750	9.4	90						60												150
1800	20		Refer B3 Series Page 30 請參考 B3 系列第 30 頁			61.6	89.869	107		Refer B3 Series Page 30 請參考 B3 系列第 30 頁		90.7	90.016	189		Refer B3 Series Page 30 請參考 B3 系列第 30 頁		153	85.645	320
1500	16.7							71												267
1000	11.1	100						53												177
750	8.3							116												133
1800	18							69												288
1500	15	112	44.2	99.667	46	61.6	103.259	64	78	102.921	81	90.7	104.75	94	113	101.78	118	153	99.664	240
1000	10							48												160
750	7.5							35												120
1800	16.1	125						103												257
1500	13.4		44.2	111.384	41	61.6	114.129	57	78	114.262	72	90.7	115.777	84	113	111.569	105	153	110.155	214
1000	8.9							43												142
750	6.7	140						31												107
1800	14.4		44.2	128.971	37	61.6	123.804	51	78	131.287	65	90.7	125.592	75	113	129.831	94	153	126.535	230
1500	12							77												192
1000	8	160						38												128
750	6		44.2	141.452	32	61.6	142.562	45	78	145.106	57	90.7	144.621	67	113	143.4981	84	153	137.599	96
1800	12.9							59												206
1500	10.7	180						49												171
1000	7.1		44.2	153.445	24	61.6	161.897	34	78	157.408	43	90.7	166.368	50	113	155.663	63	153	158.291	113
750	5.4							24												85
1800	11.3	200						72												181
1500	9.4		44.2	176.692	38	61.6	176.615	53	78	181.258	67	90.7	179.166	78	113	179.248	98	153	170.467	150
1000	6.3							29												100
750	4.7	224						30												75
1800	10		44.2	200.656	17	61.6	202.929	48	78	205.841	61	90.7	205.86	71	113	206.203	88	153	195.865	160
1500	8.3							34												132
1000	5.6	250						51												89
750	4.2		44.2	218.898	20	61.6	226.765	29	78	224.554	36	90.7	230.04	42	113	222.065	53	153	218.871	67
1800	9							41												144
1500	7.5	280						58												120
1000	5		44.2	251.511	18	61.6	248.025	25	78	258.01	32	90.7	251.606	37	113	255.15	47	153	239.39	80
750	3.8							24												60
1800	8	315						37												128
1500	6.4		44.2	281.054	16	61.6	287	23	78	288.316	29	90.7	291.144	34	113	285.12	42	153	277.008	107
1000	4.5							20												72
750	3.3	355						22												54
1800	7.2		44.2	307.403	12	60	310.817	30	78	315.346	39	90.7	315.406	45	113	311.85	56	153	300.092	115
1500	6							38												96
1000	4	400						25												64
750	3		44.2	355.709	9	-	-	-	78	364.9	22	-	-	-	113	360.855	33	-	-	48
1800	6.4							41												102
1500	5.4	400						34												86
1000	3.6		43	385.352	11	-	-	-	75	395.308	19	-	-	-	113	390.926	29	-	-	57
750	2.7							17												43
1800	5.7	400						35												91
1500	4.8		44.2	307.403	14	60	310.817	20	78	315.346	26	90.7	315.406	30	113	311.85	37	153	300.092	76
1000	3.2							15												51
750	2.4	355						20												38
1800	5.1		44.2	355.709	23	-	-	-	78	364.9	41	-	-	-	113	360.855	60	-	-	-
1500	4.2							19												-
1000	2.8	400						12												-
750	2.1		43	385.352	11	-	-	-	75	395.308	17	-	-	-	113	390.926	25	-	-	-
1800	4.5							20												-
1500	3.8	400						17												-
1000	2.5		43	385.352	11	-	-	-	75	395.308	19	-	-	-	113	390.926	29	-	-	-
750	1.5							8												-

Refer to Page 54~55 for Rated Thermal Capacity 請參考第 54~55 頁額定容量

B4 Frame Size 框號: 16~21 Ratio 減速比: 80~400

B4 Series Bevel-Helical Right Angle Gearbox Performances Table B4 系列直交軸螺旋齒輪-斜齒輪性能表

B4 Gearbox Size 齒輪箱框號 (B4SH 16 / B4SV 16 / B4HH 16 / B4HV 16 / B4DH 16 / B4DV 16 / B4KH 16 / B4KV 16 / B4FH 16 / B4FV 16)																							
Input Speed 輸入轉速 n <sub>1</sub> (r/min)	Output Speed 輸出轉速 n <sub>2N</sub> (r/min)	Nominal Ratio 公稱減速比 i <sub>N</sub>	16			17			18			19			20			21					
			Nominal Output Torque 額定輸出扭矩 T <sub>2N</sub> (kN.m)	Accurate Ratio 精準減速比 i <sub>ex</sub>	Nominal Input Power 額定輸入功率 P <sub>1N</sub> (kW)	Nominal Output Torque 額定輸出扭矩 T <sub>2N</sub> (kN.m)	Accurate Ratio 精準減速比 i <sub>ex</sub>	Nominal Input Power 額定輸入功率 P <sub>1N</sub> (kW)	Nominal Output Torque 額定輸出扭矩 T <sub>2N</sub> (kN.m)	Accurate Ratio 精準減速比 i <sub>ex</sub>	Nominal Input Power 額定輸入功率 P <sub>1N</sub> (kW)	Nominal Output Torque 額定輸出扭矩 T <sub>2N</sub> (kN.m)	Accurate Ratio 精準減速比 i <sub>ex</sub>	Nominal Input Power 額定輸入功率 P <sub>1N</sub> (kW)	Nominal Output Torque 額定輸出扭矩 T <sub>2N</sub> (kN.m)	Accurate Ratio 精準減速比 i <sub>ex</sub>	Nominal Input Power 額定輸入功率 P <sub>1N</sub> (kW)	Nominal Output Torque 額定輸出扭矩 T <sub>2N</sub> (kN.m)	Accurate Ratio 精準減速比 i <sub>ex</sub>	Nominal Input Power 額定輸入功率 P <sub>1N</sub> (kW)			
1800	23	80	Refer B3 Series Page 31 請參考 B3 系列第 31 頁			200	76.056	481	Refer B3 Series Page 31 請參考 B3 系列第 31 頁			300	79.977	722*	Refer B3 Series Page 31 請參考 B3 系列第 31 頁			420	77.639	826	1011*		
1500	18.8		393				261				392				590				420	77.639	826		
1000	12.5		196				196				294				294				412				549
750	9.4	90				362				418				502				722*				879*	
1800	20		173	88.626	201	200	83.865	349	240	88.846	419	300	87.67	628*	343	91.242	603	603	87.739	734			
1500	16.7		201				232				278				524				400				488
1000	11.1	100				151				174				209				300				366	
750	8.3		173	97.15	181	200	97.593	376	240	97.391	452	300	102.02	565*	345	100.017	650*	420	99.821	791*			
1800	18		271				314				376				471				541				659
1500	15	112				209				251				314				361				439	
1000	10		173	113.052	136	200	107.865	157	240	113.333	188	300	112.759	236	345	116.389	271	420	111.565	329			
750	7.5		291				337				404				505*				581*				708*
1800	16.1	125				242				280				336				420				589	
1500	13.4		173	124.952	161	200	107.865	186	240	113.333	223	300	112.759	279	345	116.389	321	420	111.565	391			
1000	8.9		161				140				167				209				241				293
750	6.7	140				260				301				361				452*				633*	
1800	14.4		173	143.532	217	200	123.904	251	240	125.263	301	300	129.526	376	345	128.641	433	420	126.733	527			
1500	12		144				167				201				251				289				351
1000	8	160				108				125				151				188				263	
750	6		173	156.082	233	200	134.739	270	240	143.889	324	300	140.851	405*	345	147.769	484	420	137.815	567*			
1800	12.9		193				224				268				336				386				470
1500	10.7	180				148				178				223				256				312	
1000	7.1		173	179.553	96	200	155	111	240	156.471	134	300	162.032	167	345	160.69	192	420	158.539	234			
750	5.4		204				236				283				354*				408*				596*
1800	11.3	200				170				196				236				295				413	
1500	9.4		173	193.365	114	200	155	98	240	156.471	119	300	162.032	148	345	160.69	170	420	158.539	277			
1000	6.3		86				108				131				158				197				208
750	4.7	224				181				209				251				314*				439*	
1800	10		173	222.175	150	200	166.923	173	240	180	208	300	174.496	260	345	184.854	361*	420	170.735	439*			
1500	8.3		101				117				140				175				202				246
1000	5.6	250				76				88				105				131				185	
750	4.2		163				188				226				282*				325*				395*
1800	9		135				157				188				235				270				329
1500	7.5	380				90				104				125				157				199	
1000	5		173	193.365	68	200	191.793	78	240	193.846	94	300	200.494	118	345	199.073	135	420	196.172	164			
750	3.8		144				167				201				251*				289*				351*
1800	8	315				121				140				168				210				294	
1500	6.7		173	222.175	81	200	214.321	94	240	222.727	113	300	224.044	141	345	228.733	162	420	219.215	197			
1000	4.5		61				71				85				106				122				148
750	3.3	355				130				150				180				226*				316*	
1800	7.2		173	248.271	108	200	224.414	125	240	248.889	150	300	245.049	188	345	255.6	216	420	239.766	263			
1500	6		72				83				100				125				152				175
1000	4	400				54				62				75				94				131	
750	3		115				134				160				201*				231*				281*
1800	6.4		173	271.547	97	200	271.25	113	240	272.222	135	300	283.556	169	345	279.563	195	420	277.444	237			
1500	5.4	315				65				75				90				113				158	
1000	3.6		173	314.218	49	200	293.854	56	240	315	68	300	307.186	85	345	323.494	98	420	300.564	119			
750	2.7		103				119				143				179*				205*				250*
1800	5.7	355				86				100				120				150				211	
1500	4.8		173	314.218	57	200	293.854	67	240	315	80	300	307.186	100	345	323.494	115	420	300.564	140			
1000	3.2		43				50				60				75				86				105
750	2.4	355				92				128				158				184*				-	
1800	5.1		173	340.403	76	-	-	-	240	341.25	105	-	-	-	345	350.452	151	-	-	-			
1500	4.2		50				50				70				86				101				-
1000	2.8	400				38				53				75				94				-	
750	2.1		-				-				-				-				-				-
1800	4.5		-				-				-				-				-				-
1500	3.8	-				-				-				-				-				-	
1000	2.5	-				-				-				-				-				-	
750	1.5	-				-				-				-				-				-	

Refer to Page 55 for Rated Thermal Capacity 請參考第 55 頁額定容量



# B4 Frame Size 框號: 22~26 Ratio 減速比: 80~400

**B4 Series Bevel-Helical Right Angle Gearbox Performances Table B4 系列直交軸螺旋齒輪-斜齒輪性能表**

B4 Gearbox Size 齒輪箱框號 (B4SH22 / B4SV22 / B4HH22 / B4HV22 / B4DH22 / B4DV22 / B4KH22 / B4KV22 / B4FH22 / B4FV22)																			
Input Speed 輸入轉速 n <sub>1</sub> (r/min)	Output Speed 輸出轉速 n <sub>2N</sub> (r/min)	Nominal Ratio 公稱減速比 i <sub>N</sub>	22			23			24			25			26				
			Nominal Output Torque 額定輸出扭矩 T <sub>2N</sub> (kN.m)	Accurate Ratio 精準減速比 i <sub>ex</sub>	Nominal Input Power 額定輸入功率 P <sub>1N</sub> (kW)	Nominal Output Torque 額定輸出扭矩 T <sub>2N</sub> (kN.m)	Accurate Ratio 精準減速比 i <sub>ex</sub>	Nominal Input Power 額定輸入功率 P <sub>1N</sub> (kW)	Nominal Output Torque 額定輸出扭矩 T <sub>2N</sub> (kN.m)	Accurate Ratio 精準減速比 i <sub>ex</sub>	Nominal Input Power 額定輸入功率 P <sub>1N</sub> (kW)	Nominal Output Torque 額定輸出扭矩 T <sub>2N</sub> (kN.m)	Accurate Ratio 精準減速比 i <sub>ex</sub>	Nominal Input Power 額定輸入功率 P <sub>1N</sub> (kW)	Nominal Output Torque 額定輸出扭矩 T <sub>2N</sub> (kN.m)	Accurate Ratio 精準減速比 i <sub>ex</sub>	Nominal Input Power 額定輸入功率 P <sub>1N</sub> (kW)		
1800	23	80	Refer B3 Series Page 32 請參考 B3 系列第 32 頁			560	76.497	1102	Refer B3 Series Page 32 請參考 B3 系列第 32 頁			800	78.1	1574	-	-	-		
1500	18.8		* 732																
1000	12.5			* 549															
750	9.4				* 785														
1800	20	90	470	86.772	984*	560	86.448	1398	640	85.631	1119	800	88.26	1398	900	89.933	1573		
1500	16.7																	* 743	
1000	11.1																		* 557
750	8.3																		
1800	18	100	470	98.061	885*	560	98.353	879	640	96.771	1005	800	100.414	1256	900	101.633	1413		
1500	15																	* 670	
1000	10																		* 503
750	7.5																		
1800	16.1	112	470	111.565	792*	560	109.927	785	640	110.097	898	800	112.228	1122	900	115.629	1262		
1500	13.4																	* 521	
1000	8.9																		* 391
750	6.7																		
1800	14.4	125	470	124.69	708*	560	124.87	703	640	123.049	804	800	127.487	1005	900	129.232	1130		
1500	12																	* 469	
1000	8																		* 402
750	6																		
1800	12.9	140	470	141.643	634*	560	135.788	627	640	139.78	717	800	138.634	896	900	146.803	1008		
1500	10.7																	* 416	
1000	7.1																		* 312
750	5.4																		
1800	11.3	160	470	154.029	556*	560	156.208	551	640	152.002	629	800	159.482	787	900	159.639	885		
1500	9.4																	* 269	
1000	6.3																		* 277
750	4.7																		
1800	10	180	470	177.191	492*	560	168.224	670	640	174.859	556	800	171.749	695	900	183.645	782		
1500	8.3																	* 486	
1000	5.6																		* 328
750	4.2																		
1800	9	200	470	190.821	442*	560	193.287	603	640	188.31	683	800	197.338	810	900	197.772	971		
1500	7.5																	* 439	
1000	5																		* 293
750	3.8																		
1800	8	224	470	219.251	393*	560	215.991	539	640	216.366	610	800	220.518	724	900	227.238	867		
1500	6.7																	* 392	
1000	4.5																		* 263
750	3.3																		
1800	7.2	250	470	245.005	354*	560	236.24	475	640	241.784	547	800	241.191	648	900	253.929	777		
1500	6																	* 351	
1000	4																		* 234
750	3																		
1800	6.4	280	470	267.974	314*	560	273.364	411	640	264.446	478	800	290.093	579	900	277.735	693		
1500	5.4																	* 316	
1000	3.6																		* 211
750	2.7																		
1800	5.7	315	470	310.084	280*	560	296.144	350	640	306.004	413	800	302.35	479	900	321.379	616		
1500	4.8																	* 281	
1000	3.2																		* 187
750	2.4																		
1800	5.1	355	470	355.924	250*	-	-	-	640	331.504	350	-	-	-	900	348.161	483		
1500	4.2																	* 281	
1000	2.8																		* 187
750	2.1																		
1800	4.5	400	-	-	-	-	-	-	-	-	-	-	-	-	-	-	-		
1500	3.8																		
1000	2.5																		
750	1.5																		

Refer to Page 55 for Rated Thermal Capacity 請參考第 55 頁額定容量

# H1 Frame Size 框號: 3~9 Ratio 減速比: 1.25~5.6

H1 Series Helical Parallel Shaft Gearbox Rated Thermal Rated Capacity Table H1 系列平行軸斜齒輪箱額定容量表 (kW)

H1 Gearbox Size 齒輪箱框號 (H1SH3 / H1SV3 / H1HH3 / H1HV3 / H1DH3 / H1DV3 / H1KH3 / H1KV3 / H1FH3 / H1FV3)														
Nominal Ratio 公稱減速比 iN	Thermal Power 熱功率	Frame Size 框號	3			5			7			9		
		Input Speed 輸入轉速(r/min)	750	1000	1500	750	1000	1500	750	1000	1500	750	1000	1500
1.25		PG <sub>A</sub>	77.6	63		127			129			93		
		PG <sub>B</sub>	163	187	210	385	402	372	526	517	408	594	536	
		PG <sub>C</sub>	244	271	307	583	369	686	840	911	946	1203	1288	1276
		PG <sub>D</sub>	316	377	472	803	934	1117	1153	1322	1537	1589	1783	1991
1.4		PG <sub>A</sub>	78.3	65		134			145			127		
		PG <sub>B</sub>	161	186	212	386	409	392	532	534	447	622	578	374
		PG <sub>C</sub>	237	264	299	572	629	680	820	892	937	1188	1277	1285
		PG <sub>D</sub>	306	366	459	784	916	1104	1126	1298	1523	1557	1760	1992
1.6		PG <sub>A</sub>	78.3	69		141			160			170		
		PG <sub>B</sub>	157	183	213	376	412	420	517	540	500	642	630	495
		PG <sub>C</sub>	222	248	284	540	595	655	785	833	894	1134	1230	1276
		PG <sub>D</sub>	289	347	438	739	870	1063	1043	1214	1452	1489	1706	1982
1.8		PG <sub>A</sub>	88.1	80		145			179			192		
		PG <sub>B</sub>	174	205	241	368	410	435	523	561	554	641	655	575
		PG <sub>C</sub>	240	269	309	507	561	625	744	819	894	1087	1187	1259
		PG <sub>D</sub>	313	376	478	698	827	1019	1019	1196	1450	1425	1650	1953
2		PG <sub>A</sub>	85.6	79		142	104		177			203		
		PG <sub>B</sub>	167	197	234	354	397	427	506	549	553	629	651	590
		PG <sub>C</sub>	228	256	295	479	534	593	705	778	852	1033	1130	1207
		PG <sub>D</sub>	297	358	455	657	779	964	965	1135	1382	1354	1573	1873
2.24		PG <sub>A</sub>	83.3	78		140	109		175			211		
		PG <sub>B</sub>	159	189	227	37	385	422	472	520	544	608	621	614
		PG <sub>C</sub>	215	241	278	446	496	558	636	704	779	967	986	1151
		PG <sub>D</sub>	280	338	431	615	733	913	870	1029	1264	1270	1381	1790
2.5		PG <sub>A</sub>	77	73		134	108		170			210		
		PG <sub>B</sub>	147	175	211	317	362	405	452	494	525	579	621	614
		PG <sub>C</sub>	193	216	251	412	459	518	586	649	723	895	986	1075
		PG <sub>D</sub>	252	304	388	568	679	848	802	950	1172	1177	1381	1674
2.8		PG <sub>A</sub>	72.8	70	50	127	105		180	133		226		
		PG <sub>B</sub>	137	164	199	296	340	384	455	511	553	598	649	658
		PG <sub>C</sub>	177	199	231	376	419	475	591	655	733	901	994	1091
		PG <sub>D</sub>	232	281	359	518	620	777	808	959	1189	1181	1390	1695
3.15		PG <sub>A</sub>	72.9	73	64	137	127		213	189		263	217	
		PG <sub>B</sub>	133	161	200	293	348	415	514	601	702	636	731	6828
		PG <sub>C</sub>	172	193	226	371	416	481	687	769	881	978	1091	1237
		PG <sub>D</sub>	222	270	348	507	612	779	948	1140	1442	1294	1548	1941
3.55		PG <sub>A</sub>	67.2	68	60	135	127		199	178		249	209	
		PG <sub>B</sub>	121	147	183	286	340	407	471	553	649	590	682	778
		PG <sub>C</sub>	155	174	204	355	398	460	615	689	791	885	988	1124
		PG <sub>D</sub>	201	244	314	484	585	746	853	1027	1301	1174	1407	1768
4		PG <sub>A</sub>	61.2	62	56	124	118	85	182	167		217	189	
		PG <sub>B</sub>	110	134	166	259	309	374	421	498	591	502	585	677
		PG <sub>C</sub>	137	155	181	315	353	410	539	604	696	733	820	937
		PG <sub>D</sub>	178	217	280	430	521	665	748	902	1147	978	1175	1483
4.5		PG <sub>A</sub>	67.9	70	66	131	129	106	191	183	135	257	238	
		PG <sub>B</sub>	118	144	180	262	316	389	421	504	611	563	667	795
		PG <sub>C</sub>	147	165	194	315	354	413	533	599	696	810	908	1049
		PG <sub>D</sub>	189	230	298	429	521	669	734	889	1137	1071	1294	1646
5		PG <sub>A</sub>	61.7	64	63	125	125	111	186	184	151	238	228	169
		PG <sub>B</sub>	107	131	165	248	301	373	404	488	599	508	608	738
		PG <sub>C</sub>	130	147	173	296	333	390	501	564	659	713	801	930
		PG <sub>D</sub>	169	205	266	403	490	631	693	841	1080	945	1145	1464
5.6		PG <sub>A</sub>	55.2	57	56	111	111	99	168	166	136	228	220	163
		PG <sub>B</sub>	95.2	116	146	219	266	330	361	435	535	485	581	704
		PG <sub>C</sub>	114	128	151	256	288	337	440	494	577	663	745	866
		PG <sub>D</sub>	148	179	232	350	425	549	609	739	949	884	1071	1370

PG<sub>A</sub>: Thermal capacity for gear units without auxiliary cooling  
齒輪箱不含冷卻裝置的額定熱容量

PG<sub>C</sub>: Thermal capacity for gear units with cooling coil  
齒輪箱含冷卻盤管的額定熱容量

PG<sub>B</sub>: Thermal capacity for gear units with fan cooling  
齒輪箱含冷風扇的額定熱容量

PG<sub>D</sub>: Thermal capacity for gear units with cooling coil and fan  
齒輪箱含冷卻盤管和風扇的額定熱容量



# H1 Frame Size 框號: 11~19 Ratio 減速比: 1.25~5.6

H1 Series Helical Parallel Shaft Gearbox Rated Thermal Capacity Table H1 系列平行軸斜齒輪箱額定容量表 (kW)

H1 Gearbox Size 齒輪箱框號 (H1SH11/H1SV11/H1HH11/H1HV11/H1DH11/H1DV11/H1KH11/H1KV11/H1FH11/H1FV11)		11			13			15			17			19						
Nominal Ratio 公稱減速比 iN	Thermal Power 熱功率	Frame Size 框號	750			1000			1500			750			1000			1500		
		Input Speed 輸入轉速(r/min)	750	1000	1500	750	1000	1500	750	1000	1500	750	1000	1500	750	1000	1500			
1.25		PG <sub>A</sub>	-	-	-	-	-	-	-	-	-	-	-	-	-	-	-			
		PG <sub>B</sub>	-	-	-	-	-	-	-	-	-	-	-	-	-	-	-			
		PG <sub>C</sub>	-	-	-	-	-	-	-	-	-	-	-	-	-	-	-			
		PG <sub>D</sub>	-	-	-	-	-	-	-	-	-	-	-	-	-	-	-			
1.4		PG <sub>A</sub>	-	-	-	-	-	-	-	-	-	-	-	-	-	-	-			
		PG <sub>B</sub>	-	-	-	-	-	-	-	-	-	-	-	-	-	-	-			
		PG <sub>C</sub>	-	-	-	-	-	-	-	-	-	-	-	-	-	-	-			
		PG <sub>D</sub>	-	-	-	-	-	-	-	-	-	-	-	-	-	-	-			
1.6		PG <sub>A</sub>	100			*														
		PG <sub>B</sub>	885	729		795	510	999												
		PG <sub>C</sub>	1946	2057	1944	2394	2459	2060												
		PG <sub>D</sub>	2579	2838	3039	3166	3313	3187												
1.8		PG <sub>A</sub>	158			*														
		PG <sub>B</sub>	924	821		981	674													
		PG <sub>C</sub>	1895	2025	1990	2318	2417	2161												
		PG <sub>D</sub>	2504	2802	3106	3033	3264	3328												
2		PG <sub>A</sub>	196			115			*			*			*					
		PG <sub>B</sub>	936	852	509	986	757		770			*			*					
		PG <sub>C</sub>	1824	1955	1947	2260	236	2161	2047	2073	1626									
		PG <sub>D</sub>	240	2700	3026	2941	3190	3313	3037	3116	2826									
2.24		PG <sub>A</sub>	232			179			*			*			*					
		PG <sub>B</sub>	931	887	631	1025	851		812	523		*			*					
		PG <sub>C</sub>	1726	1864	1902	2163	2290	2172	1993	2048	1719									
		PG <sub>D</sub>	2276	2588	2964	2817	3104	3366	2924	3073	2963									
2.5		PG <sub>A</sub>	249			222			*			*			*					
		PG <sub>B</sub>	907	884	676	1031	888		900	621		*			*					
		PG <sub>C</sub>	1618	1753	1810	2044	2174	2102	1947	2016	1746									
		PG <sub>D</sub>	2131	2437	2819	2660	2955	3228	2818	2993	2972									
2.8		PG <sub>A</sub>	261			253			*			*			*					
		PG <sub>B</sub>	870	865	705	1062	902		962	107		789	500		*					
		PG <sub>C</sub>	1495	1625	1698	1903	2034	2002	1877	1957	1748	2147	2203	1836						
		PG <sub>D</sub>	1970	2265	2647	2475	2770	3075	2689	2892	2947	3075	3223	3087						
3.15		PG <sub>A</sub>	344			378			248	999		*			*					
		PG <sub>B</sub>	928	1019	1055	1085	1128	1033	1203	1146	816	1159	1040		*					
		PG <sub>C</sub>	1522	1682	1858	1895	2075	2221	2018	2179	2223	2352	2517	2487						
		PG <sub>D</sub>	1989	2349	2879	2445	2844	3394	2790	3148	3634	3231	3624	4035						
3.55		PG <sub>A</sub>	330			377			290			212			*					
		PG <sub>B</sub>	858	949	998	1026	1078	1014	1176	1140	860	1194	1096	678	*					
		PG <sub>C</sub>	1372	1519	1685	1728	1896	2042	1872	2027	2087	2223	2387	2387						
		PG <sub>D</sub>	1798	2128	2617	2231	2603	3123	2575	2942	3397	3026	3412	3839						
4		PG <sub>A</sub>	318	235		372			318			277			*					
		PG <sub>B</sub>	794	891	964	953	1024	1012	1120	1124	938	1181	1132	821	1131	1032	623			
		PG <sub>C</sub>	1236	1372	1534	1066	1715	1870	1701	1851	1973	2047	2212	2263						
		PG <sub>D</sub>	1622	1927	2387	2014	2364	2866	2336	2692	3159	2772	3158	3625						
4.5		PG <sub>A</sub>	318	267		414	304		418			395			192					
		PG <sub>B</sub>	756	872	994	989	1107	1193	1205	1289	1261	1260	1307	1192	1268	1274	1069			
		PG <sub>C</sub>	1174	1310	1489	1607	1783	1992	1734	1908	2075	2035	2227	2382						
		PG <sub>D</sub>	1548	1855	2330	2083	2474	3062	2355	2760	3339	2726	3170	3779						
5		PG <sub>A</sub>	324	290		414	340		455			506	506		229					
		PG <sub>B</sub>	740	869	1020	947	1087	1227	1187	1395	1450	1419	1541	1560	1493	1585	1526			
		PG <sub>C</sub>	1110	1243	1427	512	1686	1911	1643	2022	2197	2197	2424	2660						
		PG <sub>D</sub>	1470	1770	2242	1963	2348	2942	2230	3255	2928	2928	3447	4202						
5.6		PG <sub>A</sub>	309	277		378	311		424			486	486		208					
		PG <sub>B</sub>	701	823	967	852	978	1104	1077	1266	1333	1304	1416	1433	1568	1665	1604			
		PG <sub>C</sub>	1040	1164	1337	1326	1478	1675	1451	1787	1955	1955	2157	2367						
		PG <sub>D</sub>	1381	1663	2106	1726	2065	2586	1974	2880	2607	2607	3069	3741						

PG<sub>A</sub>: Thermal capacity for gear units without auxiliary cooling  
齒輪箱不含冷卻裝置的額定熱容量

PG<sub>C</sub>: Thermal capacity for gear units with cooling coil  
齒輪箱含冷卻盤管的額定熱容量

PG<sub>B</sub>: Thermal capacity for gear units with fan cooling  
齒輪箱含冷風扇的額定熱容量

PG<sub>D</sub>: Thermal capacity for gear units with cooling coil and fan  
齒輪箱含冷卻盤管和風扇的額定熱容量

# H2 Frame Size 框號: 4~9 Ratio 減速比: 6.3~28

H2 Series Helical Parallel Shaft Gearbox Rated Thermal Capacity Table H2 系列平行軸斜齒輪箱額定容量表 (kW)

Nominal Ratio 公稱減速比 iN	Thermal Power 熱功率	H2 Gearbox Size 齒輪箱框號 (H2SH4/H2SV4/H2HH4/H2HV4/H2DH4/H2DV4/H2KH4/H2KV4/H2FH4/H2FV4)																				
		Frame Size 框號			4			5			6			7			8			9		
		Input Speed 輸入轉速 (r/min)	750	1000	1500	750	1000	1500	750	1000	1500	750	1000	1500	750	1000	1500	750	1000	1500		
6.3	PG <sub>A</sub>	53.1	54.1	48.5	68.9	66.5	48.8							97.9	90.3	*				134	116	*
	PG <sub>B</sub>	86.4	106	132	116	143	172							178	221	256				234	293	322
	PG <sub>C</sub>	104	120	146	165	190	226							265	305	357				413	475	542
	PG <sub>D</sub>	134	162	210	214	256	327							350	417	525				528	626	774
7.1	PG <sub>A</sub>	54.5	56.1	51.6	70.4	69	53.9							95.2	89.8	*				131	117	8
	PG <sub>B</sub>	88.8	109	137	118	146	177							172	214	252				229	286	323
	PG <sub>C</sub>	105	121	148	164	189	226							248	287	339				389	447	516
	PG <sub>D</sub>	136	165	214	213	256	327							329	394	499				49	589	735
8	PG <sub>A</sub>	52.4	54.4	51.4	68.6	68.3	56.4	75.6	74.5	59.2	92.5	89.1	64.9	105	99	*	129	118	*			
	PG <sub>B</sub>	85.2	104	132	116	142	175	127	157	191	168	208	249	189	235	276	224	279	322			
	PG <sub>C</sub>	99	115	140	157	182	219	170	197	236	236	272	323	270	312	367	369	425	496			
	PG <sub>D</sub>	128	155	202	204	245	316	221	266	341	314	376	479	358	428	542	471	562	707			
9	PG <sub>A</sub>	50.8	53.4	52.4	66.7	67.9	60.5	77.3	78.1	67.8	89.8	89.3	73.2	102	100	77.2	125	120	86.3			
	PG <sub>B</sub>	82.7	101	129	113	139	174	129	159	198	164	202	248	184	228	275	220	272	324			
	PG <sub>C</sub>	95	109	135	150	174	211	170	197	238	224	259	311	255	294	352	349	403	477			
	PG <sub>D</sub>	123	150	196	194	234	303	221	266	344	296	357	458	337	405	518	47	536	682			
10	PG <sub>A</sub>	48.1	51.1	51.4	63.2	65.4	61.1	75.3	77.4	70.9	87.1	88.3	77.7	100	100	84.2	121	119	96			
	PG <sub>B</sub>	78.2	95.7	107	107	131	165	127	156	196	157	193	241	180	222	273	212	262	320			
	PG <sub>C</sub>	88	102	126	138	160	196	163	189	230	210	243	295	242	280	338	327	378	453			
	PG <sub>D</sub>	115	139	182	178	217	282	211	255	331	279	337	436	320	386	498	419	505	648			
11.2	PG <sub>A</sub>	46.1	49.3	50.4	60.7	63.4	61.2	73	76	72.2	88.1	90.7	83.4	97	99	88	115	116	99.9			
	PG <sub>B</sub>	75	91.7	118	102	126	160	123	251	191	159	196	246	174	214	267	202	249	309			
	PG <sub>C</sub>	83	97	120	130	151	185	156	180	221	208	241	294	228	264	321	305	353	427			
	PG <sub>D</sub>	109	132	174	170	205	268	202	245	319	277	336	436	304	367	475	392	473	610			
12.5	PG <sub>A</sub>	44.5	47.8	49.5	59.7	63	62.1	68.9	72.3	70.5	86.7	90.2	85.6	92.8	95.6	88.3	113	116	104			
	PG <sub>B</sub>	71.7	87.6	113	100	123	157	116	142	181	155	191	242	167	205	258	198	244	305			
	PG <sub>C</sub>	81	93.6	116	128	149	183	143	165	204	204	236	289	216	250	305	295	342	416			
	PG <sub>D</sub>	104	126	166	166	201	263	186	226	295	270	327	425	286	346	450	376	455	589			
14	PG <sub>A</sub>	42.2	45.5	47.6	56.5	60	60.4	66	69.8	69.5	79.8	83.8	81.7	93.7	97.7	93.2	110	114	106			
	PG <sub>B</sub>	67.8	82.9	108	95.1	116	150	111	135	174	143	175	224	169	207	263	192	236	298			
	PG <sub>C</sub>	75	87.5	108	119	138	171	135	156	193	182	211	259	214	248	304	278	322	393			
	PG <sub>D</sub>	97	118	155	153	186	243	175	213	279	242	294	384	284	345	449	357	432	562			
16	PG <sub>A</sub>	38.7	41.8	44.1	53	56.6	57.8	64.8	68.9	69.8	74.7	79	78.6	92.3	97	94.9	104	108	104			
	PG <sub>B</sub>	62	75.7	98.9	88.5	108	140	107	131	169	133	163	210	164	201	257	180	221	281			
	PG <sub>C</sub>	68	78.8	98.1	109	126	157	133	154	191	167	194	239	208	242	297	255	295	362			
	PG <sub>D</sub>	88	107	141	141	171	225	172	208	273	221	269	352	276	336	438	327	397	518			
18	PG <sub>A</sub>	37	40.1	42.7	50.7	54.4	56.4	61.3	65.7	67.6	71.5	76.1	77.3	84.6	89.7	89.8	97.9	103	101			
	PG <sub>B</sub>	59	72.1	94.4	84.7	103	134	102	124	162	128	157	202	150	184	237	170	208	266			
	PG <sub>C</sub>	64	74.1	92.4	103	119	148	123	142	177	159	185	229	187	217	268	238	276	339			
	PG <sub>D</sub>	83	100	132	133	162	213	160	194	255	212	257	338	248	301	395	306	371	486			
20	PG <sub>A</sub>	36.2	39.3	42	47.5	51.1	53.3	57.4	61.7	64	66.6	71.3	73.1	80	85.2	86.3	94.8	100	100			
	PG <sub>B</sub>	57.5	70.2	92.1	79.2	96.8	126	94.8	115	150	119	145	188	140	172	222	163	200	257			
	PG <sub>C</sub>	62	71.7	89.4	96	111	138	113	131	162	149	169	209	172	199	247	228	264	326			
	PG <sub>D</sub>	80	97.4	128	123	150	198	147	179	235	194	236	310	227	276	363	292	355	465			
22.4	PG <sub>A</sub>	33.4	36.4	38.9	44.1	47.5	49.7	54.8	59	61.3	64.2	68.7	70.7	76.1	81.1	82.4	87	92.3	92.6			
	PG <sub>B</sub>	53.2	64.9	85.2	73.2	89.4	116	90.8	111	144	114	139	181	135	165	213	151	185	239			
	PG <sub>C</sub>	56	65.3	81.5	87	101	125	107	124	155	139	161	200	164	190	235	205	238	293			
	PG <sub>D</sub>	73	88.9	117	113	137	181	139	169	223	184	224	295	217	263	346	264	320	420			
25	PG <sub>A</sub>							51.4	55.3	57.6				71.1	75.8	77.2						
	PG <sub>B</sub>				Refer H3 Series Page 42 請參考 H3 系列第 42 頁			84.7	103	134	Refer H3 Series Page 42 請參考 H3 系列第 42 頁			124	152	197	Refer H3 Series Page 42 請參考 H3 系列第 42 頁					
	PG <sub>C</sub>							98	114	142				150	174	216						
	PG <sub>D</sub>							128	156	206				199	242	318						
28	PG <sub>A</sub>							47.7	51.5	54.1				68	73.3	75.5						
	PG <sub>B</sub>				Refer H3 Series Page 42 請參考 H3 系列第 42 頁			78.4	95.8	125	Refer H3 Series Page 42 請參考 H3 系列第 42 頁			120	146	190	Refer H3 Series Page 42 請參考 H3 系列第 42 頁					
	PG <sub>C</sub>							90	104	130				143	166	206						
	PG <sub>D</sub>							117	142	187				189	230	302						

PG<sub>A</sub>: Thermal capacity for gear units without auxiliary cooling  
齒輪箱不含冷卻裝置的額定熱容量

PG<sub>B</sub>: Thermal capacity for gear units with fan cooling  
齒輪箱含冷風扇的額定熱容量

PG<sub>C</sub>: Thermal capacity for gear units with cooling coil  
齒輪箱含冷卻盤管的額定熱容量

PG<sub>D</sub>: Thermal capacity for gear units with cooling coil and fan  
齒輪箱含冷卻盤管和風扇的額定熱容量

# H2 Frame Size 框號: 10~15 Ratio 減速比: 6.3~28

H2 Series Helical Parallel Shaft Gearbox Rated Thermal Capacity Table H2 系列平行軸斜齒輪箱額定容量表 (kW)

H2 Gearbox Size 齒輪箱框號 (H2SH10 / H2SV10 / H2HH10 / H2HV10 / H2DH10 / H2DV10 / H2KH10 / H2KV10 / H2FH10 / H2FV10)		10			11			12			13			14			15			
Nominal Ratio 公稱減速比 iN	Thermal Power 熱功率	Frame Size 框號																		
		Input Speed 輸入轉速 (r/min)	750	1000	1500	750	1000	1500	750	1000	1500	750	1000	1500	750	1000	1500	750	1000	1500
6.3	PG <sub>A</sub>					186	134	*				239	*	*				224	*	*
	PG <sub>B</sub>					354	450	428				445	579	442				416	563	*
	PG <sub>C</sub>	-	-	-		609	696	746				1059	1201	1197				1279	1434	1267
	PG <sub>D</sub>					818	951	1124				1366	1553	1739				1620	1782	1824
7.1	PG <sub>A</sub>					190	145	*				247	*	*				245	*	*
	PG <sub>B</sub>					359	454	453				456	588	493				444	591	338
	PG <sub>C</sub>	-	-	-		592	677	740				1022	1163	1193				1236	1392	1289
	PG <sub>D</sub>					797	931	1117				1317	1510	1728				1567	1746	1851
8	PG <sub>A</sub>	134	120	*	189	152	*	216	161	*	250	*	*	272	*	*	262	*	*	
	PG <sub>B</sub>	232	290	328	357	449	469	402	509	501	462	591	537	512	656	580	467	613	422	
	PG <sub>C</sub>	410	472	545	563	646	720	773	884	961	973	1110	1171	1108	1263	1319	1192	1348	1306	
	PG <sub>D</sub>	519	618	772	761	895	1088	1003	1170	1397	1258	1455	1700	1439	1658	1923	1504	1696	1860	
9	PG <sub>A</sub>	132	124	*	184	160	*	220	182	*	252	195	*	281	212	*	273	*	*	
	PG <sub>B</sub>	228	283	333	349	437	484	414	520	553	471	594	600	531	672	666	494	635	541	
	PG <sub>C</sub>	383	442	521	521	599	686	750	861	968	921	1055	1159	1069	1224	1335	1135	1292	1332	
	PG <sub>D</sub>	486	582	736	703	833	1033	974	1149	1405	1192	1395	1679	1379	1611	1927	1432	1644	1889	
10	PG <sub>A</sub>	128	125	95.3	179	164	*	219	193	*	249	209	*	284	234	*	277	200	*	
	PG <sub>B</sub>	225	278	335	341	424	489	413	516	577	468	587	631	536	673	715	504	640	612	
	PG <sub>C</sub>	365	422	503	489	564	657	713	821	943	869	999	1128	1016	1167	1309	1071	1224	1316	
	PG <sub>D</sub>	463	556	710	659	786	987	931	1106	1375	1123	1326	1628	1316	1551	1896	1351	1571	1861	
11.2	PG <sub>A</sub>	125	124	103	183	173	119	211	195	*	256	226	*	283	247	*	276	218	*	
	PG <sub>B</sub>	219	270	331	347	430	509	398	495	572	482	601	674	532	665	738	501	632	648	
	PG <sub>C</sub>	344	298	479	485	560	662	655	756	882	856	986	1135	966	1113	1274	1001	1148	1269	
	PG <sub>D</sub>	438	528	679	655	784	995	855	1020	1283	1110	1319	1642	1250	1482	1838	1266	1485	1796	
12.5	PG <sub>A</sub>	121	122	106	183	178	135	205	194	*	247	226	*	277	252	*	280	135	*	
	PG <sub>B</sub>	210	259	322	344	425	512	384	475	562	460	572	660	521	648	742	508	637	685	
	PG <sub>C</sub>	324	375	454	475	549	655	614	710	837	785	906	1056	907	1046	1215	981	1128	1272	
	PG <sub>D</sub>	413	498	644	637	766	978	802	960	1218	1015	1212	1523	1175	1401	1755	1236	1459	1790	
14	PG <sub>A</sub>	116	119	108	175	173	142	208	202	153	238	225	*	283	266	*	272	240	*	
	PG <sub>B</sub>	201	247	310	327	403	494	391	483	583	442	547	647	532	659	774	492	614	686	
	PG <sub>C</sub>	301	349	425	440	509	611	610	705	841	727	840	991	898	1037	1220	911	1049	1205	
	PG <sub>D</sub>	384	465	603	590	711	914	797	958	1223	944	1131	1434	1163	1392	1761	1150	1365	1697	
16	PG <sub>A</sub>	113	117	110	164	166	144	208	206	169	218	212	16	272	263	193	275	252	*	
	PG <sub>B</sub>	195	240	303	307	377	469	386	476	583	405	501	603	507	626	751	497	617	710	
	PG <sub>C</sub>	392	339	414	400	464	561	594	688	827	643	744	887	819	947	1125	890	1027	1196	
	PG <sub>D</sub>	370	449	584	538	650	839	773	932	1197	838	1007	1286	1062	1276	1626	1124	1341	1684	
18	PG <sub>A</sub>	109	114	111	152	156	143	198	200	175	220	219	181	261	259	209	261	248	170	
	PG <sub>B</sub>	189	231	296	287	352	443	366	450	560	411	506	621	485	598	731	471	583	690	
	PG <sub>C</sub>	275	319	392	373	432	527	548	635	769	645	747	899	761	881	1057	820	947	1119	
	PG <sub>D</sub>	350	425	555	503	609	790	714	864	1115	837	1009	1297	987	1189	1526	1038	1244	1578	
20	PG <sub>A</sub>	103	109	107	147	152	142	185	189	170	207	208	179	239	239	202	251	242	179	
	PG <sub>B</sub>	177	217	278	276	339	428	341	419	525	384	473	586	441	543	670	448	554	665	
	PG <sub>C</sub>	253	293	362	352	408	499	498	577	702	588	681	823	673	780	941	753	871	1036	
	PG <sub>D</sub>	322	392	512	474	575	747	650	786	1019	764	923	1191	875	1056	1360	951	1142	1455	
22.4	PG <sub>A</sub>	97.1	102	101	137	142	133	171	175	159				240	241	206				
	PG <sub>B</sub>	166	203	261	256	314	397	317	390	489	Refer H3 Series Page 43 請參考 H3 系列第 43 頁			442	544	673	Refer H3 Series Page 43 請參考 H3 系列第 43 頁			
	PG <sub>C</sub>	236	273	337	320	371	454	466	540	657	Refer H3 Series Page 43 請參考 H3 系列第 43 頁			673	780	942	Refer H3 Series Page 43 請參考 H3 系列第 43 頁			
	PG <sub>D</sub>	301	266	478	432	524	682	608	736	954	Refer H3 Series Page 43 請參考 H3 系列第 43 頁			875	1057	1362	Refer H3 Series Page 43 請參考 H3 系列第 43 頁			
25	PG <sub>A</sub>	94	99.4	98.9				166	170	155				225	227	195				
	PG <sub>B</sub>	160	196	252	Refer H3 Series Page 43 請參考 H3 系列第 43 頁			305	374	470	Refer H3 Series Page 43 請參考 H3 系列第 43 頁			411	506	627	Refer H3 Series Page 43 請參考 H3 系列第 43 頁			
	PG <sub>C</sub>	226	262	323	Refer H3 Series Page 43 請參考 H3 系列第 43 頁			437	506	617	Refer H3 Series Page 43 請參考 H3 系列第 43 頁			615	713	862	Refer H3 Series Page 43 請參考 H3 系列第 43 頁			
	PG <sub>D</sub>	288	350	458	Refer H3 Series Page 43 請參考 H3 系列第 43 頁			571	692	898	Refer H3 Series Page 43 請參考 H3 系列第 43 頁			799	965	1245	Refer H3 Series Page 43 請參考 H3 系列第 43 頁			
28	PG <sub>A</sub>	87	92.5	93.4	Refer H3 Series Page 43 請參考 H3 系列第 43 頁			154	160	150	Refer H3 Series Page 43 請參考 H3 系列第 43 頁						Refer H3 Series Page 43 請參考 H3 系列第 43 頁			
	PG <sub>B</sub>	149	182	235	Refer H3 Series Page 43 請參考 H3 系列第 43 頁			283	347	439	Refer H3 Series Page 43 請參考 H3 系列第 43 頁						Refer H3 Series Page 43 請參考 H3 系列第 43 頁			
	PG <sub>C</sub>	204	236	292	Refer H3 Series Page 43 請參考 H3 系列第 43 頁			396	459	562	Refer H3 Series Page 43 請參考 H3 系列第 43 頁						Refer H3 Series Page 43 請參考 H3 系列第 43 頁			
	PG <sub>D</sub>	262	318	417	Refer H3 Series Page 43 請參考 H3 系列第 43 頁			519	630	819	Refer H3 Series Page 43 請參考 H3 系列第 43 頁						Refer H3 Series Page 43 請參考 H3 系列第 43 頁			

PG<sub>A</sub>: Thermal capacity for gear units without auxiliary cooling  
齒輪箱不含冷卻裝置的額定熱容量

PG<sub>C</sub>: Thermal capacity for gear units with cooling coil  
齒輪箱含冷卻盤管的額定熱容量

PG<sub>B</sub>: Thermal capacity for gear units with fan cooling  
齒輪箱含冷風扇的額定熱容量

PG<sub>D</sub>: Thermal capacity for gear units with cooling coil and fan  
齒輪箱含冷卻盤管和風扇的額定熱容量

# H2 Frame Size 框號: 16~26 Ratio 減速比: 6.3~28

H2 Series Helical Parallel Shaft Gearbox Rated Thermal Capacity Table H2 系列平行軸斜齒輪箱額定容量表 (kW)

H2 Gearbox Size 齒輪箱框號 (H2SH16 / H2SV16 / H2HH16 / H2HV16 / H2DH16 / H2DV16 / H2KH16 / H2KV16 / H2FH16 / H2FV16)		16			17			18			19			20			21			22-26
Nominal Ratio 公稱減速比 iN	Thermal Power 熱功率	Frame Size 框號	Input Speed 輸入轉速 (r/min)																	
			750	1000	1500	750	1000	1500	750	1000	1500	750	1000	1500	750	1000	1500	750	1000	1500
6.3	PG <sub>A</sub>				154	*	*					189							*	
	PG <sub>B</sub>				449	625	*					*							*	
	PG <sub>C</sub>				1559	1736	1410													
	PG <sub>D</sub>				2080	2240	2151													
7.1	PG <sub>A</sub>	237	*	*	215	*	*	175	*	*	250						212		*	
	PG <sub>B</sub>	439	589	*	502	683	*	477	659	*	*						*		*	
	PG <sub>C</sub>	1289	1448	1305	1509	1689	1458	1556	1737	1443										
	PG <sub>D</sub>	1637	1810	1880	1999	2186	2199	2086	2260	2209										
8	PG <sub>A</sub>	259	*	*	254	*	*	234	*	*	294						271		243	
	PG <sub>B</sub>	469	620	390	548	733	*	532	719	*	*						*		*	
	PG <sub>C</sub>	1247	1407	1332	1466	1649	1507	1509	1693	1500										
	PG <sub>D</sub>	1582	1772	1910	1940	2154	2261	2001	2203	2260										
9	PG <sub>A</sub>	277	*	*	286	*	*	276	*	*	330						320		311	
	PG <sub>B</sub>	506	655	530	603	786	584	601	590	542	*						*		*	
	PG <sub>C</sub>	1202	1366	1386	1421	1611	1593	1470	1662	1608										
	PG <sub>D</sub>	1519	1736	1970	1869	2120	2360	1943	2191	2400										
10	PG <sub>A</sub>	286	198	*	305	*	*	304	*	*	366						353		262	
	PG <sub>B</sub>	524	668	617	787	812	710	643	830	691	*						*		*	
	PG <sub>C</sub>	1141	1303	1383	1359	1548	1611	1416	1611	1649										
	PG <sub>D</sub>	1446	1674	1964	1783	2053	2374	1870	2143	2447										
11.2	PG <sub>A</sub>	290	222	*	315	229	*	321	223	*	388						387		409	
	PG <sub>B</sub>	529	669	669	642	815	784	664	847	787	*						*		*	
	PG <sub>C</sub>	1080	1237	1354	1284	1468	1582	1360	1553	1651										
	PG <sub>D</sub>	1363	1594	1913	1683	1958	2323	1786	2070	2431										
12.5	PG <sub>A</sub>	288	135	*	331	260	*	329	250	*	411	301					406	289	440	
	PG <sub>B</sub>	522	656	691	660	833	851	667	844	840	*						*		*	
	PG <sub>C</sub>	1014	1164	1302	1247	1430	1579	1283	1470	1605										
	PG <sub>D</sub>	1279	1506	1836	1632	1914	2311	1682	1965	2355										
14	PG <sub>A</sub>	291	252	*	327	274	*	344	281	*	412	328					428	333	472	
	PG <sub>B</sub>	528	659	726	649	814	875	484	860	906	*						*		*	
	PG <sub>C</sub>	989	1138	1298	1165	1339	1511	1246	1431	1600										
	PG <sub>D</sub>	1250	1482	1832	1526	1802	2211	1632	1921	2342										
16	PG <sub>A</sub>	282	254	*	319	280	*	339	292	*	404	341					427	354	478	
	PG <sub>B</sub>	509	634	721	627	782	873	669	837	919	*						*		*	
	PG <sub>C</sub>	918	1059	1226	1081	1245	1429	1166	1341	1528										
	PG <sub>D</sub>	1159	1381	1726	1415	1680	2088	1528	1810	2236										
18	PG <sub>A</sub>	286	268	*	317	292	*	330	299	*	406	362					418	368	473	
	PG <sub>B</sub>	514	638	748	619	768	888	647	805	919	*						*		*	
	PG <sub>C</sub>	898	1037	1219	1030	1189	1387	1078	1243	1442										
	PG <sub>D</sub>	1136	1359	1718	1346	1606	2020	1417	1689	2114										
20	PG <sub>A</sub>	270	258	182	311	293	*	328	304	*	395	361					418	378	478	
	PG <sub>B</sub>	484	599	712	606	751	882	634	787	915	*						*		*	
	PG <sub>C</sub>	828	957	1133	987	1140	1342	1023	1181	1382										
	PG <sub>D</sub>	1048	1257	1597	1292	1546	1956	1341	1602	2019										
22.4	PG <sub>A</sub>	258	248	179				322	300	*							405	369	454	
	PG <sub>B</sub>	458	566	676	Refer H3 Series Page 43			616	764	893	Refer H3 Series Page 43						*		*	
	PG <sub>C</sub>	759	877	1041	請參考 H3 系列第 43 頁			981	1133	1329	請參考 H3 系列第 43 頁									
	PG <sub>D</sub>	960	1153	1467				1285	1537	1939										

Contact Varitron or your sales persona | 請聯絡本公司

PG<sub>A</sub>: Thermal capacity for gear units without auxiliary cooling  
齒輪箱不含冷卻裝置的額定熱容量

PG<sub>B</sub>: Thermal capacity for gear units with fan cooling  
齒輪箱含冷風扇的額定熱容量

PG<sub>C</sub>: Thermal capacity for gear units with cooling coil  
齒輪箱含冷卻盤管的額定熱容量

PG<sub>D</sub>: Thermal capacity for gear units with cooling coil and fan  
齒輪箱含冷卻盤管和風扇的額定熱容量



# H3 Frame Size 框號: 5~10 Ratio 減速比: 22.4~112

H3 Series Helical Parallel Shaft Gearbox Rated Thermal Capacity Table H3 系列平行軸斜齒輪箱額定容量表 (kW)

		H3 Gearbox Size 齒輪箱框號 (H3SH5 / H3SV5 / H3HH5 / H3HV5 / H3DH5 / H3DV5 / H3KH5 / H3KV5 / H3FH5 / H3FV5)																		
Nominal Ratio 公稱減速比 iN	Thermal Power 熱功率	Frame Size 框號	5			6			7			8			9			10		
		Input Speed 輸入轉速 (r/min)	750	1000	1500	750	1000	1500	750	1000	1500	750	1000	1500	750	1000	1500	750	1000	1500
22.4	PGA		Refer H2 Series Page 39 請參考 H2 系列第 39 頁																	
	PGB		Refer H2 Series Page 40 請參考 H2 系列第 40 頁																	
	PGC																			
	PGD																			
25	PGA	45.9	49.9	52.5	Refer H2 Series Page 39 請參考 H2 系列第 39 頁			68.1	73.5	76.1	Refer H2 Series Page 39 請參考 H2 系列第 39 頁			92.9	99.3	100	Refer H2 Series Page 40 請參考 H2 系列第 40 頁			
	PGB	62.7	73.4	92.4				95	110	138				130	152	187				
	PGC	89.8	105	130				144	169	208				120	247	302				
	PGD	105	125	163				168	201	261				245	293	378				
28	PGA	44.1	48	50.9	Refer H2 Series Page 39 請參考 H2 系列第 39 頁			68.5	74.2	77.5	Refer H2 Series Page 39 請參考 H2 系列第 39 頁			92.1	99	101	Refer H2 Series Page 40 請參考 H2 系列第 40 頁			
	PGB	60.2	70.7	89.4				95.9	112	140				129	150	186				
	PGC	84.8	99.7	123				143	167	207				204	239	294				
	PGD	98.8	118	155				167	200	261				238	284	268				
31.5	PGA	42.8	46.7	49.9	49.5	54	57.4	65.6	71.4	75.3	73	79.1	82.8	89.7	96.9	100	92.9	100	102	
	PGB	58.3	68.5	86.9	67	78.6	99.6	91.5	107	135	101	118	148	125	146	183	130	151	188	
	PGC	81.4	95.6	118	92.8	109	135	135	158	195	147	173	214	196	230	283	244	286	352	
	PGD	95	114	149	108	130	170	159	190	248	172	206	268	228	273	355	278	333	432	
33.5	PGA	41.2	45.2	48.6	47.5	51.9	55.7	63.6	69.4	73.9	73.3	79.7	84.4	86.5	93.9	98.7	92.2	99.8	104	
	PGB	56.2	66.2	84.3	64.3	75.6	96.2	88.9	104	132	101	119	150	121	142	178	127	149	186	
	PGC	77.7	91.3	113	87.6	103	127	129	151	188	146	171	211	187	219	271	237	278	343	
	PGD	90.6	109	143	103	123	161	152	183	239	171	205	268	219	262	342	270	324	421	
40	PGA	38.9	42.7	46.1	45.8	50.4	54.3	60.3	66	70.6	70.2	76.6	81.4	81.7	88.9	93.9	88.9	96.5	101	
	PGB	52.9	62.3	79.5	62.2	73.3	93.4	84.1	98.9	125	97	113	144	115	134	170	124	145	182	
	PGC	72.2	84.8	105	84.1	98.8	122	120	141	175	137	161	200	174	204	252	226	265	327	
	PGD	84.2	101	133	97.9	117	154	142	170	223	162	194	254	203	244	319	258	310	404	
45	PGA	37.2	40.8	44.2	44.4	48.7	52.5	58.1	63.6	68.2	68	74.3	79.2	78.6	85.6	90.8	86.5	94	99.1	
	PGB	50.5	59.6	76.1	60	70.7	90.2	80.7	95	120	94.3	110	140	109	128	162	120	141	177	
	PGC	68.2	80.1	99.7	80.4	94.4	117	115	134	167	132	155	192	165	193	239	217	254	314	
	PGD	79.6	96	126	93.8	113	148	135	162	212	155	186	243	193	232	303	248	298	388	
50	PGA	35.9	39.6	43.2	41.8	46.1	50.1	54.7	60.1	65.2	64.5	70.9	76.6	76.8	84.2	90.6	81.7	89.4	95.9	
	PGB	48.7	57.5	73.8	56.5	66.7	85.5	76	89.6	114	88.9	104	133	107	126	160	113	133	169	
	PGC	65.8	77.3	96.4	74.6	87.7	109	107	126	157	124	145	181	161	189	235	201	236	293	
	PGD	76.9	92.8	122	87.1	105	138	126	152	200	144	174	228	187	225	295	230	277	362	
55	PGA	34	37.6	41.2	40.1	48.5	52.1	58.5	62.7	62	68.4	74.4	73.1	80.4	87.3	78.5	78.5	86.2	93.4	
	PGB	46	54.6	70.1	63.9	82.2	72.1	85.2	109	85.4	100	129	101	120	153	108	108	128	160	
	PGC	61.8	72.6	90.6	83	103	101	118	148	117	138	172	150	176	219	190	190	223	278	
	PGD	71.8	86.7	114	99.7	131	119	143	188	138	166	218	176	212	278	278	218	262	344	
63	PGA	32	35.5	39.1	38.6	42.7	47	48.5	53.7	59	58.6	64.7	71	69	76.2	83.5	76.6	84.6	92.5	
	PGB	43.2	51.2	66.1	51.9	61.4	79.2	67	79.4	102	80.4	95.1	122	95.4	112	145	105	124	160	
	PGC	57.2	67.3	84.1	68.2	80.1	100	92.8	109	136	110	129	161	139	163	204	186	218	272	
	PGD	66.7	80.6	106	79.6	96.2	126	108	130	172	129	156	205	163	197	259	213	257	338	
71	PGA	31.7	35.1	38.7	36.6	40.5	44.6	47.1	52.1	7.3	55.7	61.6	67.7	67.5	74.6	81.8	72.9	80.5	88.2	
	PGB	42.7	50.6	65.3	49.1	58.1	75	64.8	76.7	98.9	76.4	90.4	116	93.6	110	142	101	119	153	
	PGC	56.6	66.5	83.1	63.9	75.1	93.8	89.1	104	130	103	120	151	137	160	200	174	204	255	
	PGD	65.9	79.7	105	74.4	89.9	118	105	126	166	121	145	192	159	191	252	199	239	315	
80	PGA	30.1	33.3	36.8	34.5	38.2	42.1	45.9	50.9	7.3	52	57.6	63.3	63.8	70.6	77.6	68.9	76.1	83.5	
	PGB	40.4	47.9	61.9	46	45.5	70.3	63.2	74.9	98.9	71.1	84.1	108	88	104	134	94.5	111	143	
	PGC	52.6	61.8	77.3	59.3	69.7	87.2	85.7	100	130	94.6	111	139	127	148	185	161	189	236	
	PGD	61.4	74.2	97.9	69.2	83.6	110	101	121	166	111	134	177	148	179	236	184	222	293	
90	PGA	29.7	32.9	36.3	34.1	37.8	41.8	43.4	48.1	53.1	50.3	55.7	61.4	60.6	67.1	73.8	67.2	74.3	81.6	
	PGB	39.9	47.3	61.1	45.6	54.1	69.8	59.7	70.7	91.3	68.5	81.1	104	83.4	98.8	127	91.8	108	140	
	PGC	51.1	60.1	75.1	58.8	69.1	86.4	79.3	93.1	116	91	107	133	117	138	172	157	185	231	
	PGD	59.9	72.3	95.5	68.5	82.8	109	93.4	112	148	107	129	171	138	166	219	180	217	286	
100	PGA				32.3	35.9	39.7	Refer H4 Series Page 45 請參考 H4 系列第 45 頁			49.3	54.6	60.4	Refer H4 Series Page 45 請參考 H4 系列第 45 頁			63.8	70.7	78	
	PGB				43.2	51.2	66.2				67.1	79.5	102				87.2	103	133	
	PGC				54.6	64.2	80.3				88	103	129				147	172	215	
	PGD				63.8	77.2	101				104	125	165				167	202	266	
112	PGA				31.9	35.5	39.3	Refer H4 Series Page 45 請參考 H4 系列第 45 頁			46.6	51.7	57.2	Refer H4 Series Page 45 請參考 H4 系列第 45 頁			60.6	67.2	74.3	
	PGB				42.7	50.7	65.6				63.4	75.2	97.3				82.9	98.3	127	
	PGC				53.2	62.5	78.3				81.5	95.8	119				136	159	199	
	PGD				62.2	75.2	99.4				96	116	153				156	188	248	

PGA: Thermal capacity for gear units without auxiliary cooling  
齒輪箱不含冷卻裝置的額定熱容量

PGB: Thermal capacity for gear units with fan cooling  
齒輪箱含冷風扇的額定熱容量

PGC: Thermal capacity for gear units with cooling coil  
齒輪箱含冷卻盤管的額定熱容量

PGD: Thermal capacity for gear units with cooling coil and fan  
齒輪箱含冷卻盤管和風扇的額定熱容量



# H3 Frame Size 框號: 11~16 Ratio 減速比: 22.4~112

H3 Series Helical Parallel Shaft Gearbox Rated Thermal Capacity Table H3 系列平行軸斜齒輪箱額定容量表 (kW)

Nominal Ratio 公稱減速比 iN		Thermal Power 熱功率	Frame Size 框號	11			12			13			14			15			16				
Input Speed 輸入轉速 (r/min)				750	1000	1500	750	1000	1500	750	1000	1500	750	1000	1500	750	1000	1500	750	1000	1500		
22.4	PGA								193	196	169				265	258	193						
	PGB		Refer H2 Series Page 40							269	303	346	Refer H2 Series Page 40				393	432	463	Refer H2 Series Page 41			
	PGC		請參考 H2 系列第 40 頁							478	561	668	請參考 H2 系列第 40 頁				768	903	1050	請參考 H2 系列第 41 頁			
	PGD								551	650	811				894	1043	1267						
25	PGA	139	145	138					188	191	167				259	253	192	192	265	193			
	PGB	201	230	275	Refer H2 Series Page 40				261	294	338	Refer H2 Series Page 40				381	420	453	453	443	470		
	PGC	357	419	507	請參考 H2 系列第 40 頁				454	533	636	請參考 H2 系列第 40 頁				724	850	992	992	913	1059		
	PGD	414	492	626					523	617	771				844	986	1201	1201	1055	1277			
28	PGA	134	142	137					181	186	169	208	214	191	256	254	206	268	264	207			
	PGB	193	222	268	Refer H2 Series Page 40				252	286	334	289	327	380	375	417	463	392	434	475			
	PGC	334	392	477	請參考 H2 系列第 40 頁				426	500	600	499	586	701	698	820	966	732	860	1008			
	PGD	390	464	593					492	583	734	575	680	854	815	957	1179	853	999	1224			
31.5	PGA	130	138	137	156	164	159	176	184	173	203	211	196	249	252	217	264	265	222				
	PGB	186	215	263	222	255	308	244	279	332	280	319	377	365	411	468	386	432	487				
	PGC	319	374	457	367	431	523	409	480	580	473	556	670	666	783	930	705	829	981				
	PGD	372	443	570	428	509	650	471	560	710	545	647	819	778	917	1143	824	969	1202				
33.5	PGA	125	134	135	150	159	158	171	180	175	196	206	198	238	244	222	258	264	235				
	PGB	179	208	257	212	246	300	236	271	328	271	311	374	348	395	461	376	425	493				
	PGC	301	354	434	343	403	492	429	456	555	445	523	634	617	725	870	674	792	948				
	PGD	353	422	544	402	480	617	406	534	683	514	612	781	721	854	1075	790	934	1171				
40	PGA	120	129	132	145	155	156	164	174	172	190	201	197	229	237	221	245	245	232				
	PGB	171	199	248	205	238	293	226	261	318	262	302	366	333	380	449	357	357	476				
	PGC	284	333	410	327	384	470	367	431	525	425	499	608	582	683	823	624	624	882				
	PGD	332	397	514	382	457	589	424	506	649	491	586	750	681	809	1024	732	732	1094				
45	PGA	119	128	132	139	149	151	157	167	166	183	194	192	227	237	223	236	245	227				
	PGB	170	199	247	197	229	283	216	250	306	252	291	355	330	378	450	342	390	460				
	PGC	278	326	401	310	364	447	345	405	495	404	475	579	570	669	809	590	693	835				
	PGD	325	389	505	363	434	561	398	475	611	467	557	714	667	793	1006	689	817	1034				
50	PGA	117	127	134	134	145	151	154	166	171	177	190	195	227	241	240	235	249	246				
	PGB	166	195	246	190	222	278	210	245	306	243	283	352	326	378	462	340	393	479				
	PGC	272	319	395	293	344	425	336	394	485	381	448	551	563	662	809	577	678	827				
	PGD	317	381	497	342	411	534	388	465	603	442	529	686	657	785	1009	675	805	1033				
56	PGA	108	118	127	133	145	154	148	161	170	169	183	192	215	232	239	233	250	256				
	PGB	154	181	230	188	221	280	203	238	300	231	271	341	310	361	449	335	390	484				
	PGC	247	289	359	287	337	417	318	373	461	359	421	521	525	617	759	570	669	822				
	PGD	287	345	452	335	403	527	367	441	574	415	499	650	613	735	952	655	795	1028				
63	PGA	102	113	122	130	143	154	140	154	166	165	180	194	203	222	235	222	242	255				
	PGB	145	171	219	183	216	276	192	226	288	225	265	338	292	343	434	319	375	473				
	PGC	228	268	334	281	330	411	296	347	432	349	410	510	485	570	706	530	622	770				
	PGD	266	321	421	328	395	518	341	411	538	404	486	637	566	681	889	620	746	973				
71	PGA	100	110	120	121	133	144	136	150	162	159	174	188	198	216	230	210	229	243				
	PGB	140	166	213	169	200	256	186	219	279	216	255	325	283	333	422	301	353	447				
	PGC	220	258	322	254	298	371	282	331	412	331	389	484	467	548	680	491	577	715				
	PGD	257	309	407	296	357	469	326	393	515	383	461	605	544	655	857	574	690	902				
80	PGA	94.7	104	113	114	125	136	132	145	158	150	165	178	191	208	223	203	222	237				
	PGB	132	156	201	159	188	241	180	213	272	205	241	308	272	320	406	291	342	434				
	PGC	203	238	297	236	277	345	272	319	398	308	361	449	440	517	642	472	555	688				
	PGD	238	286	377	276	332	437	314	378	496	356	429	564	515	620	812	551	663	868				
90	PGA	91.4	100	110	111	123	134	123	136	148	145	160	173	179	196	211	196	215	231				
	PGB	128	151	194	155	183	235	168	199	255	197	233	298	255	301	383	279	328	418				
	PGC	195	228	285	228	267	333	249	293	365	294	345	430	408	479	595	446	524	651				
	PGD	228	275	362	266	321	422	289	348	458	339	409	537	476	573	752	522	628	823				
100	PGA				105	116	128							141	156	171			184	203	221		
	PGB		Refer H4 Series Page 45				146	173	223	Refer H4 Series Page 45				192	227	293	Refer H4 Series Page 46				262	310	397
	PGC		請參考 H4 系列第 45 頁				210	247	308	請參考 H4 系列第 45 頁				283	332	415	請參考 H4 系列第 46 頁				412	484	604
	PGD					246	297	392						327	394	520			481	510	764		
112	PGA				102	112	124							132	146	161							
	PGB		Refer H4 Series Page 45				141	168	216	Refer H4 Series Page 45				180	213	274	Refer H4 Series Page 46						
	PGC		請參考 H4 系列第 45 頁				202	237	296	請參考 H4 系列第 45 頁				260	306	382	請參考 H4 系列第 46 頁						
	PGD					237	286	377						301	364	479							

PGA: Thermal capacity for gear units without auxiliary cooling  
齒輪箱不含冷卻裝置的額定熱容量

PGC: Thermal capacity for gear units with cooling coil  
齒輪箱含冷卻盤管的額定熱容量

PGB: Thermal capacity for gear units with fan cooling  
齒輪箱含冷風扇的額定熱容量

PGD: Thermal capacity for gear units with cooling coil and fan  
齒輪箱含冷卻盤管和風扇的額定熱容量

# H3 Frame Size 框號: 17~26 Ratio 減速比: 22.4~112

H3 Series Helical Parallel Shaft Gearbox Rated Thermal Capacity Table H3 系列平行軸斜齒輪箱額定容量表 (kW)

		H3 Gearbox Size 齒輪箱框號 (H3SH17 / H3SV17 / H3HH17 / H3HV17 / H3DH17 / H3DV17 / H3KH17 / H3KV17 / H3FH17 / H3FV17)																			
Nominal Ratio 公稱減速比 iN	Thermal power 熱功率	Frame Size 框號	17			18			19			20			21			22			23-26
			Input Speed 輸入轉速 (r/min)	750	1000	1500	750	1000	1500	750	1000	1500	750	1000	1500	750	1000	1500	750	1000	
22.4	PG <sub>A</sub>		285	270	180	Refer H2 Series Page 41 請參考 H2 系列第 41 頁			353	325	*	Refer H2 Series Page 41 請參考 H2 系列第 41 頁			419	*			Refer H2 Series Page 41 請參考 H2 系列第 41 頁		
	PG <sub>B</sub>		407	440	450	Refer H2 Series Page 41 請參考 H2 系列第 41 頁			*	*	*	Refer H2 Series Page 41 請參考 H2 系列第 41 頁			*	*			Refer H2 Series Page 41 請參考 H2 系列第 41 頁		
	PG <sub>C</sub>		768	903	1035	Refer H2 Series Page 41 請參考 H2 系列第 41 頁			*	*	*	Refer H2 Series Page 41 請參考 H2 系列第 41 頁			*	*			Refer H2 Series Page 41 請參考 H2 系列第 41 頁		
	PG <sub>D</sub>		887	1029	1228	Refer H2 Series Page 41 請參考 H2 系列第 41 頁			*	*	*	Refer H2 Series Page 41 請參考 H2 系列第 41 頁			*	*			Refer H2 Series Page 41 請參考 H2 系列第 41 頁		
25	PG <sub>A</sub>		276	263	180	294	276	*	349	323	*	363	333	*	429	363	*	427	343	*	
	PG <sub>B</sub>		393	427	442	418	451	455	*	*	*	*	*	*	*	*	*	*	*	*	*
	PG <sub>C</sub>		724	851	979	771	606	1035	*	*	*	*	*	*	*	*	*	*	*	*	*
	PG <sub>D</sub>		837	972	1164	893	1033	1227	*	*	*	*	*	*	*	*	*	*	*	*	*
28	PG <sub>A</sub>		272	272	198	285	274	196	343	326	222	359	338	*	432	380	*	370			*
	PG <sub>B</sub>		387	387	455	404	441	464	*	*	*	*	*	*	*	*	*	*			*
	PG <sub>C</sub>		697	697	953	727	854	988	*	*	*	*	*	*	*	*	*	*			*
	PG <sub>D</sub>		808	808	1145	843	981	1182	*	*	*	*	*	*	*	*	*	*			*
31.5	PG <sub>A</sub>		265	265	212	281	276	216	335	327	246	353	341	249	431	394	*	440	389	*	
	PG <sub>B</sub>		376	376	463	397	440	480	*	*	*	*	*	*	*	*	*	*	*	*	*
	PG <sub>C</sub>		668	668	924	703	826	967	*	*	*	*	*	*	*	*	*	*	*	*	*
	PG <sub>D</sub>		772	772	1116	813	952	1165	*	*	*	*	*	*	*	*	*	*	*	*	*
35.5	PG <sub>A</sub>		252	255	221	273	274	232	326	325	268	345	342	426	404	273	273	437	404	*	
	PG <sub>B</sub>		357	401	459	386	433	489	*	*	*	*	*	*	*	*	*	*	*	*	*
	PG <sub>C</sub>		617	725	863	672	789	935	*	*	*	*	*	*	*	*	*	*	*	*	*
	PG <sub>D</sub>		715	844	1052	778	916	1137	*	*	*	*	*	*	*	*	*	*	*	*	*
40	PG <sub>A</sub>		242	247	221	260	264	231	314	317	272	335	336	283	415	401	293	431	407	269	
	PG <sub>B</sub>		342	387	449	366	412	474	*	*	*	*	*	*	*	*	*	*	*	*	*
	PG <sub>C</sub>		583	685	820	622	730	871	*	*	*	*	*	*	*	*	*	*	*	*	*
	PG <sub>D</sub>		676	799	1003	722	853	1066	*	*	*	*	*	*	*	*	*	*	*	*	*
45	PG <sub>A</sub>		239	246	224	249	254	227	311	316	276	323	326	280	403	393	297	421	400	278	
	PG <sub>B</sub>		338	383	448	351	397	460	*	*	*	*	*	*	*	*	*	*	*	*	*
	PG <sub>C</sub>		571	670	804	586	689	823	*	*	*	*	*	*	*	*	*	*	*	*	*
	PG <sub>D</sub>		660	782	985	680	804	1009	*	*	*	*	*	*	*	*	*	*	*	*	*
50	PG <sub>A</sub>		235	248	242	247	259	250	306	320	304	318	332	313	403	410	360	409	410	344	
	PG <sub>B</sub>		331	381	462	347	399	480	*	*	*	*	*	*	*	*	*	*	*	*	*
	PG <sub>C</sub>		558	655	797	572	671	815	*	*	*	*	*	*	*	*	*	*	*	*	*
	PG <sub>D</sub>		647	771	787	666	793	1012	*	*	*	*	*	*	*	*	*	*	*	*	*
56	PG <sub>A</sub>		224	240	243	242	258	250	292	311	310	313	332	329	385	401	379	408	421	387	
	PG <sub>B</sub>		316	367	453	340	394	480	*	*	*	*	*	*	*	*	*	*	*	*	*
	PG <sub>C</sub>		522	614	752	562	660	815	*	*	*	*	*	*	*	*	*	*	*	*	*
	PG <sub>D</sub>		604	723	934	650	777	1012	*	*	*	*	*	*	*	*	*	*	*	*	*
63	PG <sub>A</sub>		211	230	241	231	250	262	273	295	307	300	324	336	368	393	397	489	413	411	
	PG <sub>B</sub>		298	349	439	323	378	474	*	*	*	*	*	*	*	*	*	*	*	*	*
	PG <sub>C</sub>		482	567	700	524	616	760	*	*	*	*	*	*	*	*	*	*	*	*	*
	PG <sub>D</sub>		560	672	876	608	730	950	*	*	*	*	*	*	*	*	*	*	*	*	*
71	PG <sub>A</sub>		203	221	234	218	237	249	269	292	306	279	303	316	348	373	381	372	397	400	
	PG <sub>B</sub>		285	334	422	305	357	450	*	*	*	*	*	*	*	*	*	*	*	*	*
	PG <sub>C</sub>		461	542	671	486	571	706	*	*	*	*	*	*	*	*	*	*	*	*	*
	PG <sub>D</sub>		536	644	841	562	676	881	*	*	*	*	*	*	*	*	*	*	*	*	*
80	PG <sub>A</sub>		195	213	227	209	228	241	254	277	292	275	299	315	332	358	369	351	377	384	
	PG <sub>B</sub>		273	321	406	292	343	433	*	*	*	*	*	*	*	*	*	*	*	*	*
	PG <sub>C</sub>		436	512	635	465	546	676	*	*	*	*	*	*	*	*	*	*	*	*	*
	PG <sub>D</sub>		505	608	795	539	648	846	*	*	*	*	*	*	*	*	*	*	*	*	*
90	PG <sub>A</sub>		184	201	215	219	233	241	241	263	280	260	283	300	332	349	363	365	361	372	
	PG <sub>B</sub>		257	302	384	329	397	417	*	*	*	*	*	*	*	*	*	*	*	*	*
	PG <sub>C</sub>		403	474	588	516	640	706	*	*	*	*	*	*	*	*	*	*	*	*	*
	PG <sub>D</sub>		468	564	738	614	803	881	*	*	*	*	*	*	*	*	*	*	*	*	*
100	PG <sub>A</sub>		Refer H4 Series Page 46 請參考 H4 系列第 46 頁			208	226	241	Refer H4 Series Page 46 請參考 H4 系列第 46 頁			247	272	294	Refer H4 Series Page 46 請參考 H4 系列第 46 頁			326	356	379	
	PG <sub>B</sub>		Refer H4 Series Page 46 請參考 H4 系列第 46 頁			310	397	433	Refer H4 Series Page 46 請參考 H4 系列第 46 頁			*	*	*	Refer H4 Series Page 46 請參考 H4 系列第 46 頁			*	*	*	
	PG <sub>C</sub>		Refer H4 Series Page 46 請參考 H4 系列第 46 頁			478	595	676	Refer H4 Series Page 46 請參考 H4 系列第 46 頁			*	*	*	Refer H4 Series Page 46 請參考 H4 系列第 46 頁			*	*	*	
	PG <sub>D</sub>		Refer H4 Series Page 46 請參考 H4 系列第 46 頁			569	748	846	Refer H4 Series Page 46 請參考 H4 系列第 46 頁			*	*	*	Refer H4 Series Page 46 請參考 H4 系列第 46 頁			*	*	*	
112	PG <sub>A</sub>		-			-			-			-			-			-			
	PG <sub>B</sub>		-			-			-			-			-			-			
	PG <sub>C</sub>		-			-			-			-			-			-			
	PG <sub>D</sub>		-			-			-			-			-			-			

Contact Varitron® or your sales personal 請聯絡本公司

PG<sub>A</sub>: Thermal capacity for gear units without auxiliary cooling  
齒輪箱不含冷卻裝置的額定熱容量

PG<sub>C</sub>: Thermal capacity for gear units with cooling coil  
齒輪箱含冷卻盤管的額定熱容量

PG<sub>B</sub>: Thermal capacity for gear units with fan cooling  
齒輪箱含冷風扇的額定熱容量

PG<sub>D</sub>: Thermal capacity for gear units with cooling coil and fan  
齒輪箱含冷卻盤管和風扇的額定熱容量

H4 Series Helical Parallel Shaft Gearbox Rated Thermal Capacity Table H4 系列平行軸斜齒輪箱額定容量表 (kW)

H4 Gearbox Size 齒輪箱框號 (H4SH7 / H4SV7 / H4HH7 / H4HV7 / H4DH7 / H4DV7 / H4KH7 / H4KV7 / H4FH7 / H4FV7)														
Nominal Ratio 公稱減速比 iN	Thermal power 熱功率	Frame Size 框號	7			8			9			10		
		Input Speed 輸入轉速(r/min)	750	1000	1500	750	1000	1500	750	1000	1500	750	1000	1500
100		PG <sub>A</sub>	39.9	43.6	48.7	-	-	-	63.2	71.1	79.9	-	-	-
112		PG <sub>A</sub>	38.4	42	47.1	-	-	-	60.1	68.2	76.9	-	-	-
125		PG <sub>A</sub>	37.3	40.8	45.8	42.8	46.8	52.5	51.5	56.4	63.1	55.9	61.1	68.3
140		PG <sub>A</sub>	35.4	38.7	43.5	41.1	44.9	50.5	49.9	54.6	61.3	53.5	38.5	65.6
160		PG <sub>A</sub>	34	37.2	41.9	39.8	43.6	49.1	47.1	51.6	58	51.8	56.7	63.7
180		PG <sub>A</sub>	32.7	35.8	40.4	37.8	41.4	46.7	45.2	49.4	55.8	50.1	54.9	61.9
200		PG <sub>A</sub>	31.5	34.4	38.9	36.4	39.9	45.1	43.7	47.8	54	47.3	51.8	58.5
224		PG <sub>A</sub>	29.6	32.4	36.7	34.9	38.2	43.2	41.9	45.9	52	45.3	49.6	56.2
250		PG <sub>A</sub>	28.3	31	35.1	33.8	37	41.9	40	43.8	49.6	44.7	48.2	54.5
280		PG <sub>A</sub>	27.5	30.1	34	31.7	34.7	39.3	38.8	42.5	48.2	42.2	46.2	52.3
315		PG <sub>A</sub>	26.9	29.4	33.3	30.4	33.3	37.6	37	40.5	45.9	40.3	44.1	49.9
355		PG <sub>A</sub>	25.6	28.1	31.8	29.5	32.3	36.5	36.4	39.8	45.1	39.1	42.8	48.5
400		PG <sub>A</sub>	-	-	-	28.9	31.6	35.8	-	-	-	37.3	40.8	46.2
450		PG <sub>A</sub>	-	-	-	27.5	30.1	34	-	-	-	36.6	40.1	45.4

H4 Gearbox Size 齒輪箱框號 (H4SH11 / H4SV11 / H4HH11 / H4HV11 / H4DH11 / H4DV11 / H4KH11 / H4KV11 / H4FH11 / H4FV11)														
Nominal Ratio 公稱減速比 iN	Thermal power 熱功率	Frame Size 框號	11			12			13			14		
		Input Speed 輸入轉速(r/min)	750	1000	1500	750	1000	1500	750	1000	1500	750	1000	1500
100		PG <sub>A</sub>	82.6	90.1	99.1	-	-	-	110	120	130	-	-	-
112		PG <sub>A</sub>	81.9	89.4	99.1	-	-	-	108	117	129	-	-	-
125		PG <sub>A</sub>	78.5	85.8	95.5	91.3	99.7	110	105	114	126	118	128	142
140		PG <sub>A</sub>	75.9	83	92.8	90.5	98.9	110	101	110	123	115	125	139
160		PG <sub>A</sub>	72.2	79	88.5	87.2	95.3	106	95.5	104	116	111	121	135
180		PG <sub>A</sub>	69.6	76.2	85.8	83.8	91.8	103	92.1	100	113	108	118	132
200		PG <sub>A</sub>	65.7	72	81.3	80	87.6	98.9	89.6	98.2	110	102	111	126
224		PG <sub>A</sub>	63	69	78.1	77	84.4	95.5	85.5	93.7	106	97.9	107	121
250		PG <sub>A</sub>	59.8	65.6	74.2	72.5	79.7	90.2	81.3	89.1	100	95.5	104	118
280		PG <sub>A</sub>	57.6	63.1	71.4	70	76.7	86.8	78.8	86.3	97.7	90.5	99.1	112
315		PG <sub>A</sub>	56.2	61.6	69.7	66.3	72.7	82.2	75.5	82.8	93.7	87.2	95.5	108
355		PG <sub>A</sub>	53.5	58.6	66.3	63.8	69.9	79.2	72	78.9	89.4	93.8	91.9	104
400		PG <sub>A</sub>	-	-	-	62.3	68.3	77.3	-	-	-	80.6	88.3	100
450		PG <sub>A</sub>	-	-	-	59.3	64.9	73.5	-	-	-	96.9	84.2	95.3

PG<sub>A</sub>: Thermal capacity for gear units without auxiliary cooling 齒輪箱不含冷卻裝置的額定熱容量\*Contact Varitron® for PG<sub>B</sub>, PG<sub>C</sub>, PG<sub>D</sub> 如需 PG<sub>B</sub>、PG<sub>C</sub>、PG<sub>D</sub> 請洽中國變速

Industrial Helical Bevel Gearbox Series 工業齒輪箱系列

**H4 Frame Size 框號: 15~24 Ratio 減速比: 100~450**

**H4 Series Helical Parallel Shaft Gearbox Rated Thermal Capacity Table H4 系列平行軸斜齒輪箱額定容量表 ( kW )**

H4 Gearbox Size 齒輪箱框號 (H4SH15 / H4SV15 / H4HH15 / H4HV15 / H4DH15 / H4DV15 / H4KH15 / H4KV15 / H4FH15 / H4FV15)		15			16			17			18			23	24	
Nominal Ratio 公稱減速比 iN	Thermal power 熱功率	Frame Size 框號	Input Speed 輸入轉速(r/min)			Input Speed 輸入轉速(r/min)			Input Speed 輸入轉速(r/min)			Input Speed 輸入轉速(r/min)			Input Speed 輸入轉速(r/min)	Input Speed 輸入轉速(r/min)
			750	1000	1500	750	1000	1500	750	1000	1500	750	1000	1500	1000	1000
100		PG <sub>A</sub>	149	161	172	-	-	-	167	180	190	189	208	226	423	-
112		PG <sub>A</sub>	142	154	167	153	166	179	159	173	186	171	185	198	413	430
125		PG <sub>A</sub>	137	149	163	147	160	174	154	167	181	164	177	192	405	422
140		PG <sub>A</sub>	132	144	158	141	153	169	148	161	176	158	171	188	394	410
160		PG <sub>A</sub>	127	138	153	136	148	164	142	154	171	152	165	182	378	393
180		PG <sub>A</sub>	125	136	152	130	142	159	139	151	169	145	158	177	364	379
200		PG <sub>A</sub>	121	132	149	128	139	157	134	146	164	143	156	175	359	373
224		PG <sub>A</sub>	113	123	140	125	136	154	125	136	154	138	151	170	355	369
250		PG <sub>A</sub>	107	117	132	115	126	143	119	130	147	129	141	159	340	353
280		PG <sub>A</sub>	104	113	128	110	120	135	115	126	143	122	133	151	322	335
315		PG <sub>A</sub>	98.8	108	122	106	116	131	110	121	136	119	130	147	310	323
355		PG <sub>A</sub>	97.1	106	120	102	111	126	108	118	133	114	124	141	301	314
400		PG <sub>A</sub>	-	-	-	99.6	109	123	-	-	-	111	121	138	-	298
450		PG <sub>A</sub>	-	-	-	-	-	-	-	-	-	-	-	-	-	-

H4 Gearbox Size 齒輪箱框號 (H4SH19 / H4SV19 / H4HH19 / H4HV19 / H4DH19 / H4DV19 / H4KH19 / H4KV19 / H4FH19 / H4FV19)		19			20			21			22			23	24	
Nominal Ratio 公稱減速比 iN	Thermal power 熱功率	Frame Size 框號	Input Speed 輸入轉速(r/min)			Input Speed 輸入轉速(r/min)			Input Speed 輸入轉速(r/min)			Input Speed 輸入轉速(r/min)			Input Speed 輸入轉速(r/min)	Input Speed 輸入轉速(r/min)
			750	1000	1500	750	1000	1500	750	1000	1500	750	1000	1500	1000	1000
100		PG <sub>A</sub>	234	253	264	248	272	294	322	246	348	326	356	379	1500	
112		PG <sub>A</sub>	224	243	259	240	260	276	315	340	352	325	350	358	507	515
125		PG <sub>A</sub>	217	235	254	229	249	268	305	330	348	318	344	359	495	504
140		PG <sub>A</sub>	208	227	248	222	241	263	288	313	336	308	334	356	485	491
160		PG <sub>A</sub>	200	218	240	213	232	255	276	301	327	291	317	342	471	470
180		PG <sub>A</sub>	191	208	232	205	224	249	272	297	329	279	304	335	42	453
200		PG <sub>A</sub>	184	201	226	196	214	240	257	280	314	275	300	335	436	446
224		PG <sub>A</sub>	177	193	219	188	206	233	245	268	303	259	283	321	428	442
250		PG <sub>A</sub>	168	183	208	181	198	224	232	253	287	247	270	305	425	423
280		PG <sub>A</sub>	161	176	199	172	188	213	222	243	276	233	255	289	406	403
315		PG <sub>A</sub>	158	172	195	165	181	204	213	233	264	224	245	278	388	386
355		PG <sub>A</sub>	150	164	186	162	177	200	203	222	252	216	236	267	371	375
400		PG <sub>A</sub>	-	-	-	154	168	190	-	-	-	206	225	255	361	356
450		PG <sub>A</sub>	-	-	-	-	-	-	-	-	-	-	-	-	-	-

PG<sub>A</sub>: Thermal capacity for gear units without auxiliary cooling 齒輪箱不含冷卻裝置的額定熱容量

\*Contact Varitron® for PG<sub>B</sub>, PG<sub>C</sub>, PG<sub>D</sub> 如需 PG<sub>B</sub>、PG<sub>C</sub>、PG<sub>D</sub> 請洽中國變速

B2 Series Bevel-Helical Right Angle Gearbox Rated Thermal Capacity Table B2 系列直交軸螺旋齒輪-斜齒輪額定容量表 (kW)

		B2 Gearbox Size 齒輪箱框號 (B2SH4 / B2SV4 / B2HH4 / B2HV4 / B2DH4 / B2DV4 / B2KH4 / B2KV4 / B2FH4 / B2FV4)															
Nominal Ratio 公稱減速比 iN	Thermal power 熱功率	Frame Size 框號	4			5			6			7			8		
		Input Speed 輸入轉速(r/min)	750	1000	1500	750	1000	1500	750	1000	1500	750	1000	1500	750	1000	1500
5	PG <sub>A</sub>		50.1	48.3	35.3	64.8	58.6	*				90.1	77.4	*			
	PG <sub>B</sub>		97	113	139	134	155	184				223	246	283			
	PG <sub>C</sub>		122	137	159	182	206	238				282	319	368			
	PG <sub>D</sub>		163	194	249	245	291	366				395	468	581			
5.6	PG <sub>A</sub>		48.6	47.7	38.6	63.9	59.8	*				87.1	78.3	*			
	PG <sub>B</sub>		93	109	135	132	153	185				201	232	274			
	PG <sub>C</sub>		117	132	154	176	199	231				259	293	340			
	PG <sub>D</sub>		157	187	241	237	282	359				364	432	543			
6.3	PG <sub>A</sub>		47.4	47	40	61.7	58.7	*	72.5	68.3	206	82.3	75.8	*	99.8	89.9	*
	PG <sub>B</sub>		90	105	132	125	145	178	146	170	306	186	216	259	226	261	308
	PG <sub>C</sub>		112	126	147	164	185	215	233	264	456	235	266	308	343	388	449
	PG <sub>D</sub>		150	179	231	221	263	336	301	359		330	393	497	462	548	690
7.1	PG <sub>A</sub>		44.8	45	40.6	58.8	57.2	44	71.5	69	50.6	78.3	74.3	*	95.3	88.9	*
	PG <sub>B</sub>		84.1	99	125	117	137	169	142	166	204	175	203	248	212	246	298
	PG <sub>C</sub>		103	116	135	151	171	199	227	257	298	216	244	284	315	357	414
	PG <sub>D</sub>		137	164	213	204	243	313	292	349	447	304	362	462	424	506	642
8	PG <sub>A</sub>		42.3	42.8	39.9	55.6	54.8	45.1	68.6	67.2	53.4	74.7	72.1	53	90.4	86.1	*
	PG <sub>B</sub>		78.8	92.9	117	109	128	160	134	157	195	164	192	236	197	229	280
	PG <sub>C</sub>		94.5	107	124	139	157	182	210	237	276	200	226	263	285	323	375
	PG <sub>D</sub>		127	152	198	188	225	290	272	324	417	281	336	430	385	459	586
9	PG <sub>A</sub>		40.3	41	39.3	52.9	52.7	45.7	65.2	64.5	54.4	71.7	70.2	55.8	85.4	82.7	61.6
	PG <sub>B</sub>		74.4	87.8	111	104	121	153	127	148	186	156	182	226	184	215	266
	PG <sub>C</sub>		87.2	98.8	115	128	144	168	193	218	253	187	212	246	263	297	346
	PG <sub>D</sub>		118	141	183	173	206	267	250	299	386	265	316	407	355	424	543
10	PG <sub>A</sub>		33.9	34.6	33.7	49.2	49.3	44	61.3	61.1	53.3	67.3	66.4	55.1	81	79.2	62.3
	PG <sub>B</sub>		61.6	72.8	92.8	94.9	111	140	118	138	174	144	169	211	173	202	251
	PG <sub>C</sub>		69.7	78.9	91.9	114	129	150	177	200	233	170	192	224	242	274	318
	PG <sub>D</sub>		94	112	147	155	185	240	230	276	356	241	288	372	328	392	505
11.2	PG <sub>A</sub>		32.8	33.5	33	44.1	44.4	40.4	58.3	58.4	52.1	60.3	59.8	51	77.4	76.1	61.9
	PG <sub>B</sub>		59.4	70.3	89.8	84.5	99.5	125	111	131	165	128	150	188	164	192	240
	PG <sub>C</sub>		66.5	75.4	87.9	99.9	113	131	162	183	213	149	168	195	227	257	298
	PG <sub>D</sub>		89.9	107	140	135	162	210	211	252	327	211	252	326	308	368	474
12.5	PG <sub>A</sub>								54.1	54.5	50.1				72.7	72.2	61.9
	PG <sub>B</sub>		Refer B3 Series Page 50 請參考 B3 系列第 50 頁						102	119	151	Refer B3 Series Page 50 請參考 B3 系列第 50 頁			153	179	240
	PG <sub>C</sub>		Refer B3 Series Page 50 請參考 B3 系列第 50 頁						144	163	189	Refer B3 Series Page 50 請參考 B3 系列第 50 頁			207	234	298
	PG <sub>D</sub>		Refer B3 Series Page 50 請參考 B3 系列第 50 頁						188	225	292	Refer B3 Series Page 50 請參考 B3 系列第 50 頁			281	337	474
14	PG <sub>A</sub>								48.4	49	46				65.3	65.2	57.4
	PG <sub>B</sub>		Refer B3 Series Page 50 請參考 B3 系列第 50 頁						90.6	106	135	Refer B3 Series Page 50 請參考 B3 系列第 50 頁			135	159	200
	PG <sub>C</sub>		Refer B3 Series Page 50 請參考 B3 系列第 50 頁						126	142	166	Refer B3 Series Page 50 請參考 B3 系列第 50 頁			181	205	238
	PG <sub>D</sub>		Refer B3 Series Page 50 請參考 B3 系列第 50 頁						164	196	255	Refer B3 Series Page 50 請參考 B3 系列第 50 頁			245	293	380

PG<sub>A</sub>: Thermal capacity for gear units without auxiliary cooling  
齒輪箱不含冷卻裝置的額定熱容量

PG<sub>C</sub>: Thermal capacity for gear units with cooling coil  
齒輪箱含冷卻盤管的額定熱容量

PG<sub>B</sub>: Thermal capacity for gear units with fan cooling  
齒輪箱含冷風扇的額定熱容量

PG<sub>D</sub>: Thermal capacity for gear units with cooling coil and fan  
齒輪箱含冷卻盤管和風扇的額定熱容量



# B2 Frame Size 框號: 9~13 Ratio 減速比: 5~14

B2 Series Bevel-Helical Right Angle Gearbox Rated Thermal Capacity Table B2 系列直交軸螺旋齒輪-斜齒輪額定容量表 (kW)

		B2 Gearbox Size 齒輪箱框號 (B2SH9 / B2SV9 / B2HH9 / B2HV9 / B2DH9 / B2DV9 / B2KH9 / B2KV9 / B2FH9 / B2FV9)																	
Nominal Ratio 公稱減速比 iN	Thermal power 熱功率	Frame Size 框號	9			10			11			12			13				
		Input Speed 輸入轉速 (r/min)	750	1000	1500	750	1000	1500	750	1000	1500	750	1000	1500	750	1000	1500		
5	PG <sub>A</sub>		109	87.1	*				164	*	*				194	*	*		
	PG <sub>B</sub>		261	297	328	-	-	-	440	487	487	-	-	-	636	684	574		
	PG <sub>C</sub>		352	398	459				598	677	774				1186	1344	1524		
	PG <sub>D</sub>		490	578	705				845	984	1144				1599	1838	2019		
5.6	PG <sub>A</sub>		106	90.2	*				167	120	*			205	*	*			
	PG <sub>B</sub>		246	282	322	-	-	-	428	481	504	-	-	-	627	688	646		
	PG <sub>C</sub>		324	367	424				568	643	738				1138	1289	1470		
	PG <sub>D</sub>		452	535	662				805	943	1126				1542	1789	2044		
6.3	PG <sub>A</sub>		102	89.4	*	114	98.3	*	158	122	*	198	142	*	199	*	*		
	PG <sub>B</sub>		230	265	310	261	300	345	390	441	479	495	556	581	573	637	633		
	PG <sub>C</sub>		294	333	385	406	460	531	500	566	651	861	976	1120	999	1132	1295		
	PG <sub>D</sub>		404	489	612	543	643	799	709	834	1010	1143	1340	1596	1350	1574	1839		
7.1	PG <sub>A</sub>		97.2	89.1	*	110	99.3	*	159	132	*	200	158	*	204	151	*		
	PG <sub>B</sub>		216	250	299	246	284	336	381	436	493	481	546	601	565	637	676		
	PG <sub>C</sub>		270	306	354	373	422	488	482	545	629	822	931	1072	968	1097	1261		
	PG <sub>D</sub>		379	451	570	500	594	747	683	808	996	1084	1278	1556	1312	1541	1848		
8	PG <sub>A</sub>		93.1	87.4	*	106	97.7	*	149	129	*	187	155	*	195	154	*		
	PG <sub>B</sub>		204	237	287	230	267	321	348	400	463	436	498	564	517	588	646		
	PG <sub>C</sub>		250	283	328	338	383	444	426	482	557	721	817	942	863	978	1126		
	PG <sub>D</sub>		352	419	533	455	541	686	607	719	896	954	1129	1392	1166	1375	1674		
9	PG <sub>A</sub>		89.7	85.8	59.6	101	95.3	*	144	129	*	186	162	*	191	159	*		
	PG <sub>B</sub>		194	226	277	216	251	306	331	383	452	426	490	568	494	565	640		
	PG <sub>C</sub>		236	267	310	311	352	409	401	454	526	698	791	915	807	914	1055		
	PG <sub>D</sub>		332	396	507	419	500	637	571	679	853	922	1094	1363	1096	1296	1598		
10	PG <sub>A</sub>		84.6	81.9	60.8	95.8	91.7	63.9	137	125	*	172	153	*	184	157	*		
	PG <sub>B</sub>		181	212	261	204	237	291	310	359	429	387	447	525	466	535	616		
	PG <sub>C</sub>		216	244	284	287	325	377	368	417	483	618	700	810	747	846	978		
	PG <sub>D</sub>		304	363	465	387	462	591	526	626	791	818	972	1218	1012	1200	1490		
11.2	PG <sub>A</sub>		76.4	74.5	57.7	92.2	89	65.2	123	114	*	166	150	*	166	145	*		
	PG <sub>B</sub>		160	187	232	194	226	279	274	318	382	369	426	506	414	476	555		
	PG <sub>C</sub>		187	212	246	271	307	356	319	361	418	582	659	764	648	734	849		
	PG <sub>D</sub>		265	316	406	367	438	561	456	543	688	772	918	1156	882	1046	1306		
12.5	PG <sub>A</sub>					87.1	85.1	66.9				145	*						
	PG <sub>B</sub>		Refer B3 Series Page 51 請參考 B3 系列第 51 頁			181	212	264	Refer B3 Series Page 51 請參考 B3 系列第 51 頁			400	481	Refer B3 Series Page 51 請參考 B3 系列第 51 頁					
	PG <sub>C</sub>					248	280	326				604	701						
	PG <sub>D</sub>					335	401	515				845	1070						
14	PG <sub>A</sub>					78.1	77	63.1				131	*						
	PG <sub>B</sub>		Refer B3 Series Page 51 請參考 B3 系列第 51 頁			161	189	236	Refer B3 Series Page 51 請參考 B3 系列第 51 頁			353	428	Refer B3 Series Page 51 請參考 B3 系列第 51 頁					
	PG <sub>C</sub>					215	243	283				522	605						
	PG <sub>D</sub>					291	348	449				733	931						

PG<sub>A</sub>: Thermal capacity for gear units without auxiliary cooling

齒輪箱不含冷卻裝置的額定熱容量

PG<sub>C</sub>: Thermal capacity for gear units with cooling coil

齒輪箱含冷卻盤管的額定熱容量

PG<sub>B</sub>: Thermal capacity for gear units with fan cooling

齒輪箱含冷風扇的額定熱容量

PG<sub>D</sub>: Thermal capacity for gear units with cooling coil and fan

齒輪箱含冷卻盤管和風扇的額定熱容量

B2 Frame Size 框號: 14~18 Ratio 減速比: 5~14

B2 Series Bevel-Helical Right Angle Gearbox Rated Thermal Capacity Table B2 系列直交軸螺旋齒輪-斜齒輪額定容量表 (kW)

B2 Gearbox Size 齒輪箱框號 (B2SH14 / B2SV14 / B2HH14 / B2HV14 / B2DH14 / B2DV14 / B2KH14 / B2KV14 / B2FH14 / B2FV14)		14			15			16			17			18			
Nominal Ratio 公稱減速比 iN	Thermal power 熱功率	Frame Size 框號	14			15			16			17			18		
		Input Speed 輸入轉速 (r/min)	750	1000	1500	750	1000	1500	750	1000	1500	750	1000	1500	750	1000	1500
5	PG <sub>A</sub>					210	*	*									
	PG <sub>B</sub>					765	788	486									
	PG <sub>C</sub>	-	-	-		1607	1821	2040									
	PG <sub>D</sub>					2115	2383	2386									
5.6	PG <sub>A</sub>					232	*	*				211	*	*			
	PG <sub>B</sub>					757	804	618				828	859	565			
	PG <sub>C</sub>	-	-	-		1556	1763	1992				1814	2055	2307			
	PG <sub>D</sub>					2042	2333	2489				2379	2689	2739			
6.3	PG <sub>A</sub>	237	*	*	238	*	*	252	*	*	234	*	*				
	PG <sub>B</sub>	697	771	753	722	779	664	782	838	684	803	850	646				
	PG <sub>C</sub>	1246	1411	1613	1436	1627	1847	1573	1782	2019	1685	1909	2155				
	PG <sub>D</sub>	1678	1954	2267	1884	2168	2393	2063	2366	2574	2217	2530	2689				
7.1	PG <sub>A</sub>	244	176	*	242	*	*	258	*	*	249	*	*	263	*	*	
	PG <sub>B</sub>	684	768	804	686	756	720	744	815	754	772	838	740	832	897	760	
	PG <sub>C</sub>	1193	1352	1552	1331	1508	1722	1452	1645	1875	1577	1787	2031	1694	1919	2177	
	PG <sub>D</sub>	1616	1895	2261	1745	2028	2331	1902	2204	2505	2067	2386	2666	2220	2558	2817	
8	PG <sub>A</sub>	234	181	*	234	*	*	257	*	*	249	*	*	272	*	*	
	PG <sub>B</sub>	622	705	768	633	705	713	707	784	775	720	793	756	799	874	808	
	PG <sub>C</sub>	1046	1185	1364	1197	1356	1553	1351	1531	1751	1431	1621	1851	1582	1793	2043	
	PG <sub>D</sub>	1412	1663	2016	1566	1830	2152	1766	2059	2400	1871	2174	2499	2073	2402	2729	
9	PG <sub>A</sub>	236	193	*	231	169	*	248	176	*	249	*	*	269	*	*	
	PG <sub>B</sub>	613	699	785	608	684	724	651	730	759	694	774	782	742	823	812	
	PG <sub>C</sub>	1017	1152	1329	1132	1283	1474	1208	1368	1570	1361	1542	1766	1434	1624	1858	
	PG <sub>D</sub>	1375	1625	1996	1483	1741	2085	1582	1853	2204	1779	2078	2444	1877	2188	2549	
10	PG <sub>A</sub>	222	188	*	223	172	*	243	182	*	245	175	*	266	*	*	
	PG <sub>B</sub>	560	642	734	567	643	698	624	704	753	657	737	770	715	799	818	
	PG <sub>C</sub>	899	1018	1176	1033	1170	1347	1144	1296	1490	1263	1431	1642	1364	1546	1772	
	PG <sub>D</sub>	1219	1444	1787	1355	1596	1933	1497	1760	2118	1650	1935	2306	1782	2085	2464	
11.2	PG <sub>A</sub>	214	185	*	204	162	*	234	181	*	227	169	*	260	187	*	
	PG <sub>B</sub>	533	613	709	511	581	641	584	662	721	593	669	714	677	760	797	
	PG <sub>C</sub>	841	952	1101	909	1030	1186	1043	1182	1360	1119	1267	1457	1270	1439	1652	
	PG <sub>D</sub>	1144	1356	1688	1197	1411	1722	1372	1616	1960	1464	1720	2068	1654	1940	2315	
12.5	PG <sub>A</sub>	206	183	*				175	*	296				242	186	*	
	PG <sub>B</sub>	501	579	681	Refer B3 Series Page 52 請參考 B3 系列第 52 頁			598	669	657	Refer B3 Series Page 52 請參考 B3 系列第 52 頁			611	691	749	
	PG <sub>C</sub>	779	882	1021	Refer B3 Series Page 52 請參考 B3 系列第 52 頁			1039	1189	1150	Refer B3 Series Page 52 請參考 B3 系列第 52 頁			1126	1276	1648	
	PG <sub>D</sub>	1056	1255	1574	Refer B3 Series Page 52 請參考 B3 系列第 52 頁			1430	1754	1473	Refer B3 Series Page 52 請參考 B3 系列第 52 頁			1470	1730	2093	
14	PG <sub>A</sub>	185	168	*	Refer B3 Series Page 52 請參考 B3 系列第 52 頁												
	PG <sub>B</sub>	444	514	611	Refer B3 Series Page 52 請參考 B3 系列第 52 頁												
	PG <sub>C</sub>	674	763	884	Refer B3 Series Page 52 請參考 B3 系列第 52 頁												
	PG <sub>D</sub>	918	1092	1377	Refer B3 Series Page 52 請參考 B3 系列第 52 頁												

PG<sub>A</sub>: Thermal capacity for gear units without auxiliary cooling

齒輪箱不含冷卻裝置的額定熱容量

PG<sub>C</sub>: Thermal capacity for gear units with cooling coil

齒輪箱含冷卻盤管的額定熱容量

PG<sub>B</sub>: Thermal capacity for gear units with fan cooling

齒輪箱含冷風扇的額定熱容量

PG<sub>D</sub>: Thermal capacity for gear units with cooling coil and fan

齒輪箱含冷卻盤管和風扇的額定熱容量

B3 Series Bevel-Helical Right Angle Gearbox Rated Thermal Capacity Table B3 系列直交軸螺旋齒輪-斜齒輪額定容量表 (kW)

Nominal Ratio 公稱減速比 iN	Thermal Power 熱功率	Frame Size 框號	4			5			6			7			8		
		Input Speed 輸入轉速 (r/min)	750	1000	1500	750	1000	1500	750	1000	1500	750	1000	1500	750	1000	1500
		B3 Gearbox Size 齒輪箱框號 (B3SH4 / B3SV4 / B3HH4 / B3HV4 / B3DH4 / B3DV4 / B3KH4 / B3KV4 / B3FH4 / B3FV4)															
12.5		P <sub>GA</sub>	35.9	38.1	39.4	48.7	50.8	50.4				77.5	79.7	76.7			
		P <sub>GB</sub>	56.2	66.3	84.8	79.7	93.9	118				128	150	186			
		P <sub>GC</sub>	66	76.8	94.7	107	124	151				188	218	265			
		P <sub>GD</sub>	82.6	100	131	133	161	209				232	280	362			
14		P <sub>GA</sub>	34.9	37.1	38.6	47.2	49.4	49.6				74.9	77.4	75.7			
		P <sub>GB</sub>	54.5	64.4	82.6	77.1	90.9	114				123	144	180			
		P <sub>GC</sub>	64	74.5	91.9	103	119	146				181	210	257			
		P <sub>GD</sub>	80.1	97.2	127	128	155	202				223	270	350			
16		P <sub>GA</sub>	33.2	35.2	36.8	45.6	47.9	48.3	53	55.4	55.4	71.4	74	72.9	83.7	86.2	83.3
		P <sub>GB</sub>	51.8	61.3	78.6	74.2	87.5	110	85.1	100	126	117	137	172	134	158	196
		P <sub>GC</sub>	60.8	70.8	87.4	99.2	115	141	110	128	157	172	200	244	192	223	272
		P <sub>GD</sub>	76	92.2	121	123	149	195	137	165	216	212	257	334	236	285	369
18		P <sub>GA</sub>	32.2	34.3	35.9	44.2	46.5	47.2	51.3	53.7	54.1	68.9	71.7	71.1	80.5	83.2	81.1
		P <sub>GB</sub>	50.3	59.5	76.4	71.9	84.8	107	82.4	97.1	122	113	133	167	131	153	191
		P <sub>GC</sub>	58.9	68.5	84.7	95.6	111	136	106	122	150	166	192	235	187	217	265
		P <sub>GD</sub>	73.7	89.5	117	119	144	189	132	159	208	205	247	322	229	277	359
20		P <sub>GA</sub>	30.4	32.4	34	42.4	44.6	45.6	49.4	51.9	52.6	66.1	68.9	68.8	76.5	79.4	78
		P <sub>GB</sub>	47.4	56.1	72.1	68.9	81.3	103	79.3	93.5	118	109	127	161	124	145	182
		P <sub>GC</sub>	55.7	64.8	80.1	91.9	107	131	102	118	145	158	184	225	176	204	249
		P <sub>GD</sub>	69.5	84.3	111	115	138	181	127	154	201	195	236	307	216	261	340
22.4		P <sub>GA</sub>	29.6	31.6	33.3	41.7	44	45.1	47.9	50.4	51.4	63.8	66.8	67.2	74.3	77.4	76.7
		P <sub>GB</sub>	46.2	54.6	70.3	67.8	80	101	76.9	90.7	115	105	123	155	120	141	177
		P <sub>GC</sub>	54.1	63	77.9	90.8	105	130	99.2	115	142	153	178	218	170	198	242
		P <sub>GD</sub>	67.7	82.2	108	114	137	180	123	149	195	187	226	296	210	253	330
25		P <sub>GA</sub>	28.1	30.1	31.9	39.5	41.8	43.3	45.9	48.6	50.1	61.7	65	66.2	71.3	74.7	75.2
		P <sub>GB</sub>	43.7	51.7	66.7	63.9	75.5	96.6	73.5	86.9	110	101	119	151	114	134	170
		P <sub>GC</sub>	51.1	59.4	73.6	85.4	99.4	122	94.6	110	135	146	169	208	163	189	232
		P <sub>GD</sub>	63.7	77.4	102	106	128	168	117	142	186	180	217	284	201	243	317
28		P <sub>GA</sub>	27	29	30.9	38.1	40.6	42.5	45.1	48	50	58.6	62.1	64.1	68.9	72.7	74.4
		P <sub>GB</sub>	41.8	49.4	63.9	61.4	72.7	93.3	72.3	85.5	109	94.8	112	143	110	130	165
		P <sub>GC</sub>	48.1	56	69.4	80.7	94	116	93.7	109	134	135	156	193	157	183	225
		P <sub>GD</sub>	60.2	73.1	96.7	99.9	121	159	116	141	185	166	201	264	193	234	306
31.5		P <sub>GA</sub>	25.6	27.5	29.4	36.1	38.6	40.7	42.7	45.5	47.8	55.7	59.2	61.7	66.4	70.3	72.7
		P <sub>GB</sub>	39.6	46.8	60.7	58.1	68.7	88.5	68.2	80.6	103	89.9	106	136	107	125	160
		P <sub>GC</sub>	45.1	52.5	65.2	75.3	87.6	108	88	102	126	126	146	180	150	174	215
		P <sub>GD</sub>	56.5	68.6	90.8	93.6	113	149	110	133	175	155	188	247	183	222	292
35.5		P <sub>GA</sub>	24.1	25.9	27.8	34	36.4	38.6	41.2	44	46.4	52.9	56.4	59.1	63	67	69.8
		P <sub>GB</sub>	37	43.8	56.8	54.3	64.3	83	65.5	77.5	99.8	84.9	100	129	101	119	152
		P <sub>GC</sub>	41.5	48.3	59.9	68.9	80.2	99.3	83.2	96.8	119	117	135	167	139	162	200
		P <sub>GD</sub>	52	63.1	83.7	86	104	138	104	126	166	144	174	229	171	207	272
40		P <sub>GA</sub>	21	22.6	24.3	29.6	31.7	33.7	39.1	41.8	46.4	46.3	49.4	52	60.2	64.1	67.1
		P <sub>GB</sub>	32.2	38.1	49.4	46.8	55.5	71.6	61.9	73.3	99.8	73.6	87.1	112	95.4	112	144
		P <sub>GC</sub>	34.9	40.7	50.5	57.3	66.7	82.7	77.6	90.4	119	96.5	112	138	130	151	187
		P <sub>GD</sub>	43.8	53.2	70.6	71.7	87	115	96.8	117	166	119	144	191	159	193	254
45		P <sub>GA</sub>	20.4	22.1	23.8	28.8	30.9	32.9	36.7	39.3	41.8	44.9	48	50.8	57	60.9	64
		P <sub>GB</sub>	31.4	37.2	48.3	45.6	54	69.8	57.9	68.5	88.5	71	84.1	108	90	106	137
		P <sub>GC</sub>	33.9	39.5	49	55.2	64.3	79.7	71.3	82.9	102	92.8	108	133	120	139	172
		P <sub>GD</sub>	42.7	51.8	68.7	69.2	84	111	88.9	107	142	115	139	183	147	179	236
50		P <sub>GA</sub>	20.7	22.4	22.4	28.6	30.8	33	32	34.4	36.8	44.3	47.6	50.7	50	53.6	56.9
		P <sub>GB</sub>	31.6	37.4	37.4	45	53.3	69.2	50.1	59.4	76.9	69.7	82.5	106	78.1	92.5	119
		P <sub>GC</sub>	33.9	39.5	39.5	53.8	62.6	77.7	59.4	69.2	85.8	89.7	104	129	100	116	144
		P <sub>GD</sub>	42.5	51.6	51.6	67.4	81.9	108	74.3	90.3	119	111	134	177	123	149	197
56		P <sub>GA</sub>	19.1	20.7	22.4	26.4	28.5	30.7	31.2	33.6	36.2	41.1	44.3	47.5	48.4	52.1	55.7
		P <sub>GB</sub>	29	34.4	44.8	41.6	49.3	64	48.8	57.8	75.1	64.7	76.7	99.5	75.6	89.6	116
		P <sub>GC</sub>	30.6	35.6	44.2	48.5	56.4	70.1	57.3	66.7	82.9	81.4	94.7	117	95.6	111	138
		P <sub>GD</sub>	38.5	46.8	62.1	61	74.1	98.3	71.8	87.2	115	101	122	162	118	143	190
63		P <sub>GA</sub>	18.4	19.9	21.6	25.3	27.4	29.5	30.9	33.4	36	39.7	42.8	46.1	47.8	51.5	55.2
		P <sub>GB</sub>	27.9	33.1	45.2	39.9	47.3	61.6	48.2	57.1	74.2	62.5	74.1	96.2	74.3	88.1	114
		P <sub>GC</sub>	28.9	33.7	41.9	45.8	53.3	66.2	55.9	65	80.8	77.2	89.8	111	92.8	108	134
		P <sub>GD</sub>	36.5	44.3	58.9	57.7	70.1	93	70	85.1	112	96	116	154	115	140	185
71		P <sub>GA</sub>	17	18.4	20	24.2	26.1	28.2	28.5	30.8	33.3	37.8	40.8	43.9	44.4	47.8	51.4
		P <sub>GB</sub>	25.9	30.7	40	37.9	44.9	58.5	44.4	52.6	68.4	59.5	70.5	91.7	68.9	81.7	106
		P <sub>GC</sub>	26.3	30.6	38	42.4	49.3	61.3	50.5	58.8	73	71.3	83.1	103	84.4	98.3	122
		P <sub>GD</sub>	33.3	40.4	53.7	53.6	65.2	86.5	63.4	77.1	102	89.3	108	143	105	127	168
80		P <sub>GA</sub>															
		P <sub>GB</sub>				Refer B4 Series Page 54 請參考 B4 系列第 54 頁						Refer B4 Series Page 54 請參考 B4 系列第 54 頁					
		P <sub>GC</sub>															
		P <sub>GD</sub>															
90		P <sub>GA</sub>															
		P <sub>GB</sub>				Refer B4 Series Page 54 請參考 B4 系列第 54 頁						Refer B4 Series Page 54 請參考 B4 系列第 54 頁					
		P <sub>GC</sub>															
		P <sub>GD</sub>															

P<sub>GA</sub>: Thermal capacity for gear units without auxiliary cooling  
齒輪箱不含冷卻裝置的額定熱容量

P<sub>GB</sub>: Thermal capacity for gear units with fan cooling  
齒輪箱含冷風扇的額定熱容量

P<sub>GC</sub>: Thermal capacity for gear units with cooling coil  
齒輪箱含冷卻盤管的額定熱容量

B3 Series Bevel-Helical Right Angle Gearbox Rated Thermal Capacity Table B3 系列直交軸螺旋齒輪-斜齒輪額定容量表 (kW)

Nominal Ratio 公稱減速比 iN	Thermal Power 熱功率	B3 Gearbox Size 齒輪箱框號 (B3SH9 / B3SV9 / B3HH9 / B3HV9 / B3DH9 / B3DV9 / B3KH9 / B3KV9 / B3FH9 / B3FV9)																	
		Frame Size 框號			9			10			11			12			13		
		Input Speed 輸入轉速 (r/min)	750	1000	1500	750	1000	1500	750	1000	1500	750	1000	1500	750	1000	1500	750	1000
12.5	PG <sub>A</sub>	103	103	95.4	Refer B2 Series Page 48 請參考 B2 系列第 48 頁			*			95.2	117	Refer B2 Series Page 48 請參考 B2 系列第 48 頁			188	172	*	
	PG <sub>B</sub>	175	204	250							244	374				364	419	468	
	PG <sub>C</sub>	278	323	390							380	533				613	714	831	
	PG <sub>D</sub>	342	413	529							514	756				771	923	1126	
14	PG <sub>A</sub>	99.5	101	95.2	Refer B2 Series Page 48 請參考 B2 系列第 48 頁			*			140	140	Refer B2 Series Page 48 請參考 B2 系列第 48 頁			190	177	127	
	PG <sub>B</sub>	169	198	244							321	321				367	424	482	
	PG <sub>C</sub>	269	313	380							456	456				618	719	843	
	PG <sub>D</sub>	331	399	514							613	613				777	932	1147	
16	PG <sub>A</sub>	97.2	99.4	94.3	109	110	103	136	133	114	161	155	125	175	165	122			
	PG <sub>B</sub>	165	193	239	182	214	262	257	300	358	299	347	407	335	388	445			
	PG <sub>C</sub>	261	304	369	295	343	415	365	425	508	479	557	662	562	654	769			
	PG <sub>D</sub>	321	388	500	360	434	558	472	569	719	602	724	907	705	846	1047			
18	PG <sub>A</sub>	94	96.5	92.5	100	102	96.3	134	132	115	161	156	129	176	167	128			
	PG <sub>B</sub>	159	187	232	168	197	243	252	293	353	299	347	411	338	392	454			
	PG <sub>C</sub>	252	293	357	271	315	383	358	416	499	480	558	665	565	658	777			
	PG <sub>D</sub>	310	375	485	331	399	514	463	558	707	603	726	913	710	853	1060			
20	PG <sub>A</sub>	90.1	92.8	89.8	103	105	100	127	126	112	150	147	124	166	159	126			
	PG <sub>B</sub>	153	179	223	173	203	251	240	280	339	277	323	385	316	367	428			
	PG <sub>C</sub>	241	280	342	278	323	392	340	396	476	443	516	616	529	615	729			
	PG <sub>D</sub>	298	360	466	340	410	529	440	531	676	558	672	848	664	798	996			
22.4	PG <sub>A</sub>	87.7	90.7	88.6	94.8	97.5	93.9	122	122	110	150	148	128	160	154	126			
	PG <sub>B</sub>	149	175	218	158	186	231	228	266	324	277	324	388	301	349	412			
	PG <sub>C</sub>	234	272	332	254	295	360	316	367	443	442	515	617	493	574	683			
	PG <sub>D</sub>	288	348	452	310	375	485	410	495	632	557	671	850	620	746	936			
25	PG <sub>A</sub>	83.8	87.3	86.9	90.9	94.3	92.8	116	117	109	144	144	130	151	149	128			
	PG <sub>B</sub>	141	166	209	152	178	223	213	250	307	264	309	375	282	329	395			
	PG <sub>C</sub>	218	253	310	244	284	347	289	337	408	420	489	590	453	527	632			
	PG <sub>D</sub>	268	324	422	297	359	466	376	454	584	530	640	817	570	687	870			
28	PG <sub>A</sub>	79.8	83.9	85	88.6	92.7	93.1	110	113	109	138	140	131	144	144	131			
	PG <sub>B</sub>	133	157	199	148	174	220	203	238	296	252	295	363	267	312	380			
	PG <sub>C</sub>	202	235	288	236	274	336	269	313	382	392	456	554	420	489	590			
	PG <sub>D</sub>	249	302	395	288	349	455	351	424	549	494	596	767	531	640	819			
31.5	PG <sub>A</sub>	76.3	80.6	82.7	84.6	89.1	90.7	105	108	106	130	133	129	137	139	131			
	PG <sub>B</sub>	127	149	190	140	165	210	191	225	282	235	276	344	253	296	365			
	PG <sub>C</sub>	189	220	271	218	254	312	250	291	356	359	417	508	390	453	550			
	PG <sub>D</sub>	233	282	370	268	324	424	327	395	514	453	548	709	493	595	766			
35.5	PG <sub>A</sub>	72.5	76.9	79.6	80.6	85.3	87.7	101	105	105	124	128	125	132	135	130			
	PG <sub>B</sub>	120	141	181	133	156	199	182	215	271	223	262	328	242	284	353			
	PG <sub>C</sub>	173	201	248	204	237	292	238	276	338	334	389	475	370	431	524			
	PG <sub>D</sub>	214	260	341	249	302	396	309	373	487	421	509	661	469	566	732			
40	PG <sub>A</sub>	67.9	72.1	75	77	81.6	84.4	95	99.6	100	117	122	121	124	128	125			
	PG <sub>B</sub>	111	131	168	127	149	191	171	201	255	209	246	310	228	267	334			
	PG <sub>C</sub>	157	182	224	191	222	274	218	253	310	309	360	440	341	397	484			
	PG <sub>D</sub>	194	235	309	234	283	372	284	344	449	391	473	616	433	523	678			
45	PG <sub>A</sub>	62.3	66.4	69.4	73.1	77.7	80.8	87	91.6	93.2	113	117	118	115	119	117			
	PG <sub>B</sub>	102	120	154	119	140	180	157	184	234	200	236	298	207	244	306			
	PG <sub>C</sub>	141	164	202	175	203	251	196	227	280	292	340	417	306	356	435			
	PG <sub>D</sub>	175	211	279	214	260	342	257	311	407	371	449	585	386	467	607			
50	PG <sub>A</sub>	61.2	65.5	69.3	68.4	73.1	77	87.1	92.4	95.8	106	112	115	116	122	121.4			
	PG <sub>B</sub>	98.9	117	151	111	131	169	154	181	232	187	221	281	207	244	310			
	PG <sub>C</sub>	135	156	194	158	184	228	191	222	274	269	312	384	303	352	433			
	PG <sub>D</sub>	168	203	269	195	236	312	248	301	396	340	411	539	385	466	610			
56	PG <sub>A</sub>	56.5	60.7	64.8	63.1	67.7	72	79.2	84.5	88.9	97.5	103	108	107	113	117			
	PG <sub>B</sub>	91.5	108	140	102	120	155	139	164	211	172	203	260	189	223	285			
	PG <sub>C</sub>	121	140	174	143	166	206	169	197	243	240	279	345	271	315	389			
	PG <sub>D</sub>	150	182	241	176	213	281	221	268	354	306	370	488	343	416	547			
63	PG <sub>A</sub>	54.5	58.7	62.8	61.9	66.5	71	76.3	81.7	86.3	96.7	103	108	103	109	114			
	PG <sub>B</sub>	88.2	104	135	98.9	117	151	133	158	203	168	198	255	181	214	275			
	PG <sub>C</sub>	114	132	164	137	159	197	159	185	229	233	271	335	255	296	366			
	PG <sub>D</sub>	143	173	229	168	203	269	209	253	334	295	358	471	324	393	517			
71	PG <sub>A</sub>	51.1	55	59	57.3	61.7	65.9	70.6	75.7	80.2	88.7	94.8	99.9	96.7	103	107			
	PG <sub>B</sub>	82.6	97.8	126	91.8	108	140	124	146	189	153	180	232	170	201	258			
	PG <sub>C</sub>	103	119	148	123	143	177	143	166	206	207	240	297	230	268	331			
	PG <sub>D</sub>	130	157	209	151	183	243	188	228	301	263	319	421	294	356	469			
80	PG <sub>A</sub>	Refer B4 Series Page 54 請參考 B4 系列第 54 頁			55.3	59.6	63.8	Refer B4 Series Page 54 請參考 B4 系列第 54 頁			84.7	90.7	95.8	Refer B4 Series Page 54 請參考 B4 系列第 54 頁					
	PG <sub>B</sub>				88.6	105	136				147	173	224						
	PG <sub>C</sub>				116	134	167				193	224	278						
	PG <sub>D</sub>				144	174	231				247	300	396						
90	PG <sub>A</sub>	Refer B4 Series Page 54 請參考 B4 系列第 54 頁			51.9	55.9	60	Refer B4 Series Page 54 請參考 B4 系列第 54 頁			78.9	84.5	89.6	Refer B4 Series Page 54 請參考 B4 系列第 54 頁					
	PG <sub>B</sub>				83	98.4	127				136	161	208						
	PG <sub>C</sub>				104.7	121	151				173	201	249						
	PG <sub>D</sub>				131	159	210				223	271	357						

PG<sub>A</sub>: Thermal capacity for gear units without auxiliary cooling  
齒輪箱不含冷卻裝置的額定熱容量

PG<sub>C</sub>: Thermal capacity for gear units with cooling coil  
齒輪箱含冷卻盤管的額定熱容量

PG<sub>B</sub>: Thermal capacity for gear units with fan cooling  
齒輪箱含冷風扇的額定熱容量

PG<sub>D</sub>: Thermal capacity for gear units with cooling coil and fan  
齒輪箱含冷卻盤管和風扇的額定熱容量



# B3 Frame Size 框號: 14~18 Ratio 減速比: 12.5~90

**B3 Series Bevel-Helical Right Angle Gearbox Rated Thermal Capacity Table B3 系列直交軸螺旋齒輪-斜齒輪額定容量表 (kW)**

		B3 Gearbox Size 齒輪箱框號 (B3SH14 / B3SV14 / B3HH14 / B3HV14 / B3DH14 / B3DV14 / B3KH14 / B3KV14 / B3FH14 / B3FV14)															
Nominal Ratio 公稱減速比 i <sub>N</sub>	Thermal power 熱功率	Frame Size 框號	14			15			16			17			18		
		Input Speed 輸入轉速(r/min)	750	1000	1500	750	1000	1500	750	1000	1500	750	1000	1500	750	1000	1500
12.5	PG <sub>A</sub>		Refer B2 Series Page 49			263	221	*	Refer B2 Series Page 49			286	235	*	Refer B2 Series Page 49		
	PG <sub>B</sub>		請參考 B2 系列第 49 頁			512	583	602	請參考 B2 系列第 49 頁			631	742	728	請參考 B2 系列第 49 頁		
	PG <sub>C</sub>						1117	1261				1105	1339	1484			
	PG <sub>D</sub>							1410	1652				1411	1745	1991		
14	PG <sub>A</sub>		Refer B2 Series Page 49			254	220	*	*	233	*	287	235	*	323	259	*
	PG <sub>B</sub>		請參考 B2 系列第 49 頁			492	562	598	530	604	631	626	716	728	705	798	792
	PG <sub>C</sub>						1066	1217	970	1129	1280	1087	286	1443	1211	1410	1569
	PG <sub>D</sub>						1349	1603	1204	1433	1688	1390	1677	1947	1550	1838	2110
16	PG <sub>A</sub>		205	191	138	251	221	*	263	227	*	277	241	*	298	245	*
	PG <sub>B</sub>		388	448	511	483	553	597	507	579	615	601	713	737	645	732	741
	PG <sub>C</sub>		636	740	868	895	1043	1196	926	1079	1230	1039	1265	1429	1109	1292	1447
	PG <sub>D</sub>		799	959	1181	1108	1322	1583	1146	1366	1621	1330	1654	1937	1416	1682	1949
18	PG <sub>A</sub>		207	195	146	242	216	*	262	230	*	268	237	*	314	263	*
	PG <sub>B</sub>		391	452	520	463	531	581	500	573	617	578	686	722	670	763	787
	PG <sub>C</sub>		640	745	877	860	1001	1155	913	1063	1219	1000	1210	1375	1144	1332	1503
	PG <sub>D</sub>		804	965	1195	1058	1265	1525	1126	1344	1608	1277	1584	1872	1461	1738	2033
20	PG <sub>A</sub>		190	180	140	234	212	*	250	223	*	266	234	*	288	246	*
	PG <sub>B</sub>		356	413	480	445	513	568	477	548	599	563	662	708	613	700	736
	PG <sub>C</sub>		582	677	800	825	961	1114	867	1010	1165	956	1164	1332	1043	1214	1379
	PG <sub>D</sub>		730	877	1092	1015	1215	1475	1070	1280	1542	1223	1523	1815	1334	1589	1876
22.4	PG <sub>A</sub>		192	185	148	229	210	*	242	219	*	255	236	*	279	243	*
	PG <sub>B</sub>		359	417	489	432	498	559	459	528	586	526	646	702	589	675	722
	PG <sub>C</sub>		587	683	811	782	910	1061	830	966	1121	870	1114	1282	1000	1164	1332
	PG <sub>D</sub>		736	885	1107	964	1155	1412	1025	1227	1490	1113	1461	1756	1279	1525	1818
25	PG <sub>A</sub>		180	176	150	216	204	153	238	222	160	255	234	*	277	250	*
	PG <sub>B</sub>		335	390	466	402	466	537	444	513	585	526	607	681	574	661	732
	PG <sub>C</sub>		548	638	762	707	823	970	789	919	1078	870	1013	1181	958	1116	1294
	PG <sub>D</sub>		687	827	1045	872	1047	1297	974	1168	1440	1113	1333	1629	1226	1467	1780
28	PG <sub>A</sub>		173	172	155	211	205	168	225	216	172	252	239	183	265	248	182
	PG <sub>B</sub>		319	373	452	390	453	535	413	480	562	514	596	689	537	621	711
	PG <sub>C</sub>		510	593	715	678	789	939	714	832	987	842	980	1157	872	1015	1193
	PG <sub>D</sub>		640	772	985	837	1007	1265	882	1060	1326	1076	1292	1605	1114	1336	1650
31.5	PG <sub>A</sub>		163	165	154	199	196	170	219	215	183	239	232	190	260	250	199
	PG <sub>B</sub>		299	350	430	363	423	508	401	468	558	479	557	658	5223	608	712
	PG <sub>C</sub>		467	543	658	614	715	857	684	797	952	770	896	1067	844	982	1165
	PG <sub>D</sub>		588	710	912	761	917	1162	847	1020	1288	984	1184	1488	1078	1296	1620
35.5	PG <sub>A</sub>		155	159	151	192	192	173	206	205	181	231	228	196	247	241	203
	PG <sub>B</sub>		283	332	412	349	407	495	373	435	526	461	538	644	489	569	677
	PG <sub>C</sub>		435	506	615	584	680	819	622	725	871	733	853	1021	771	897	1071
	PG <sub>D</sub>		548	662	855	724	873	1114	770	929	1181	937	1129	1429	987	1188	1498
40	PG <sub>A</sub>		148	152	147	182	183	168	199	199	180	221	220	194	239	236	204
	PG <sub>B</sub>		268	315	392	327	383	469	358	419	510	435	508	614	469	548	657
	PG <sub>C</sub>		405	471	574	539	627	758	591	687	829	682	793	954	733	853	1022
	PG <sub>D</sub>		510	617	798	669	808	1035	732	884	1129	873	1053	1339	939	1132	1434
45	PG <sub>A</sub>		142	147	144	168	171	160	188	190	176	205	206	187	228	228	203
	PG <sub>B</sub>		256	301	377	301	352	434	337	395	484	401	470	572	445	520	629
	PG <sub>C</sub>		383	446	544	485	564	684	545	634	768	618	719	868	685	798	960
	PG <sub>D</sub>		484	586	760	602	728	936	677	818	1049	792	955	1221	876	1057	1346
50	PG <sub>A</sub>		61.2	65.5	69.3	68.4	73.1	77	87.1	92.4	95.8	106	112	115	116	122	1214
	PG <sub>B</sub>		98.9	117	151	111	131	169	154	181	232	187	221	281	207	244	310
	PG <sub>C</sub>		135	156	194	158	184	228	191	222	274	269	312	384	303	352	433
	PG <sub>D</sub>		168	203	269	195	236	312	248	301	396	340	411	539	385	466	610
56	PG <sub>A</sub>		124	131	135	158	165	167	178	171	186	197	205	203	220	228	225
	PG <sub>B</sub>		219	258	330	276	325	411	310	333	461	373	438	552	415	488	612
	PG <sub>C</sub>		315	366	451	436	507	622	492	510	702	562	654	800	626	729	891
	PG <sub>D</sub>		401	486	637	538	652	852	609	659	962	716	867	1128	798	966	1255
63	PG <sub>A</sub>		125	133	138	151	159	162	163	164	173	189	198	199	203	211	211
	PG <sub>B</sub>		220	259	332	262	309	393	282	318	422	355	419	529	379	447	563
	PG <sub>C</sub>		314	365	451	409	475	585	439	481	627	529	615	755	564	697	805
	PG <sub>D</sub>		397	481	633	505	612	802	544	621	862	677	820	1071	718	869	1133
71	PG <sub>A</sub>		115	122	127	144	151	155	156	157	167	179	187	190	195	204	205
	PG <sub>B</sub>		200	236	302	248	292	372	270	301	404	333	393	498	362	426	539
	PG <sub>C</sub>		281	327	404	376	437	538	413	442	591	489	569	698	532	620	760
	PG <sub>D</sub>		355	431	567	468	567	743	512	573	813	625	757	990	680	824	1075
80	PG <sub>A</sub>		110	117	123				149	157	161				184	193	196
	PG <sub>B</sub>		192	227	291	Refer B4 Series Page 55			255	301	384	Refer B4 Series Page 55			339	400	507
	PG <sub>C</sub>		264	307	379	請參考 B4 系列第 55 頁			380	442	544	請參考 B4 系列第 55 頁			490	570	700
	PG <sub>D</sub>		336	407	536				472	573	751				628	761	994
90	PG <sub>A</sub>		103	110	115	Refer B4 Series Page 55											
	PG <sub>B</sub>		180	212	273	請參考 B4 系列第 55 頁											
	PG <sub>C</sub>		238	277	343												
	PG <sub>D</sub>		305	369	487												

PG<sub>A</sub>: Thermal capacity for gear units without auxiliary cooling  
齒輪箱不含冷卻裝置的額定熱容量

PG<sub>C</sub>: Thermal capacity for gear units with cooling coil  
齒輪箱含冷卻盤管的額定熱容量

PG<sub>B</sub>: Thermal capacity for gear units with fan cooling  
齒輪箱含冷風扇的額定熱容量

PG<sub>D</sub>: Thermal capacity for gear units with cooling coil and fan  
齒輪箱含冷卻盤管和風扇的額定熱容量



B3 Frame Size 框號: 19~26 Ratio 減速比: 12.5~90

B3 Series Bevel-Helical Right Angle Gearbox Rated Thermal Capacity Table B3 系列直交軸螺旋齒輪-斜齒輪額定容量表 (kW)

Nominal Ratio 公稱減速比 iN	Thermal power 熱功率	B3 Gearbox Size 齒輪箱框號 (B3SH19 / B3SV19 / B3HH19 / B3HV19 / B3DH19 / B3DV19 / B3KH19 / B3KV19 / B3FH19 / B3FV19)														
		19			20			21			22			23-26		
		Frame Size 框號														
		Input Speed 輸入轉速(r/min)														
		750	1000	1500	750	1000	1500	750	1000	1500	750	1000	1500	750	1000	1500
12.5	PGA															
	PGB															
	PGC															
	PGD															
14	PGA															
	PGB															
	PGC															
	PGD															
16	PGA															
	PGB															
	PGC															
	PGD															
18	PGA															
	PGB															
	PGC															
	PGD															
20	PGA	314	271	*		*	*	371	270	*		*	*			
	PGB	715	814	839		*	*	805	899	813		*	*			
	PGC		*	*		*	*		*	*		*	*			
	PGD		*	*		*	*		*	*		*	*			
22.4	PGA	322	276	*	339	286	*	370	279	*	384	270	*			
	PGB	696	795	864	732	833	864	785	881	824	815	907	793			
	PGC		*	*		*	*		*	*		*	*			
	PGD		*	*		*	*		*	*		*	*			
25	PGA	315	281	*	337	297	*	362	292	*	381	291	*			
	PGB	664	763	881	711	816	881	347	846	841	795	893	844			
	PGC		*	*		*	*		*	*		*	*			
	PGD		*	*		*	*		*	*		*	*			
28	PGA	307	285	200	328	302	*	352	301	*	372	306	*			
	PGB	633	731	878	678	782	878	710	811	855	755	857	869			
	PGC		*	*		*	*		*	*		*	*			
	PGD		*	*		*	*		*	*		*	*			
31.5	PGA	293	279	227	319	302	227	334	299	*	361	312	*			
	PGB	593	688	863	646	749	863	661	759	831	718	821	871			
	PGC		*	*		*	*		*	*		*	*			
	PGD		*	*		*	*		*	*		*	*			
35.5	PGA	287	278	235	304	293	235	324	297	*	342	306	*			
	PGB	572	666	825	605	703	825	634	731	821	667	767	839			
	PGC		*	*		*	*		*	*		*	*			
	PGD		*	*		*	*		*	*		*	*			
40	PGA	273	267	240	296	289	240	307	287	208	331	302	*			
	PGB	538	627	805	583	679	805	593	686	783	640	738	822			
	PGC		*	*		*	*		*	*		*	*			
	PGD		*	*		*	*		*	*		*	*			
45	PGA	255	253	240	282	278	740	285	270	207	314	291	206			
	PGB	498	582	765	547	638	765	546	634	733	599	692	785			
	PGC		*	*		*	*		*	*		*	*			
	PGD		*	*		*	*		*	*		*	*			
50	PGA	252	256	247	264	267	247	307	302	260	291	283	232			
	PGB	478	561	730	508	595	730	572	668	799	551	641	757			
	PGC		*	*		*	*		*	*		*	*			
	PGD		*	*		*	*		*	*		*	*			
56	PGA	243	251	260	260	268	260	291	294	271	313	312	279			
	PGB	459	540	712	486	571	712	537	630	772	577	675	818			
	PGC		*	*		*	*		*	*		*	*			
	PGD		*	*		*	*		*	*		*	*			
63	PGA	235	245	256	250	260	256	281	287	272	295	298	275			
	PGB	442	52	689	467	549	689	518	608	752	541	633	776			
	PGC		*	*		*	*		*	*		*	*			
	PGD		*	*		*	*		*	*		*	*			
71	PGA	223	232	251	243	252	251	265	272	261	287	291	273			
	PGB	414	487	666	449	529	666	485	569	707	522	612	754			
	PGC		*	*		*	*		*	*		*	*			
	PGD		*	*		*	*		*	*		*	*			
80	PGA	234			229	239	240				270	276	262			
	PGB				421	495	626			Refer B4 Series Page 55 請參考 B4 系列第 55 頁	489	574	710			
	PGC				*	*	*			*	*	*	*			
	PGD				*	*	*			*	*	*	*			
90	PGA															
	PGB															
	PGC															
	PGD															

Contact Varitron® or your sales personal  
請聯絡本公司

Contact Varitron® or your sales personal  
請聯絡本公司

PGA: Thermal capacity for gear units without auxiliary cooling  
齒輪箱不含冷卻裝置的額定熱容量

PGC: Thermal capacity for gear units with cooling coil  
齒輪箱含冷卻盤管的額定熱容量

PGB: Thermal capacity for gear units with fan cooling  
齒輪箱含冷風扇的額定熱容量

PGD: Thermal capacity for gear units with cooling coil and fan  
齒輪箱含冷卻盤管和風扇的額定熱容量

Industrial Helical Bevel Gearbox Series 工業齒輪箱系列

B4 Frame Size 框號: 5~14 Ratio 減速比: 80~400

B4 Series Bevel-Helical Right Angle Gearbox Rated Thermal Capacity Table B4 系列直交軸螺旋齒輪-斜齒輪額定容量表 (kW)

		B4 Gearbox Size 齒輪箱框號 (B4SH5 / B4SV5 / B4HH5 / B4HV5 / B4DH5 / B4DV5 / B4KH5 / B4KV5 / B4FH5 / B4FV5)															
Nominal Ratio 公稱減速比 iN	Thermal power 熱功率	Frame Size 框號	5			6			7			8			9		
		Input Speed 輸入轉速(r/min)	750	1000	1500	750	1000	1500	750	1000	1500	750	1000	1500	750	1000	1500
80		PG <sub>A</sub>	26.6	28.6	31.7	-	-	-	39.5	42.4	46.9	-	-	-	55.9	60	66.1
90		PG <sub>A</sub>	26	27.9	31.1	-	-	-	38.2	41	45.5	-	-	-	54.6	58.6	64.7
100		PG <sub>A</sub>	24.8	26.6	29.6	28.5	30.6	34	36.2	38.8	43.1	42.2	45.3	50.2	51.8	55.6	61.5
112		PG <sub>A</sub>	23.9	25.6	28.6	27.8	29.9	33.3	34.8	37.4	41.5	41	44	48.8	49.8	53.5	59.2
125		PG <sub>A</sub>	22.8	24.5	27.4	26.6	28.6	31.8	33.2	35.7	39.7	38.7	41.6	46.2	47.5	51	56.6
140		PG <sub>A</sub>	21.8	23.4	26.1	25.6	27.5	30.7	31.6	33.9	37.8	37.3	40.1	44.6	44.8	48.1	53.5
160		PG <sub>A</sub>	20	21.5	24.1	24.5	26.3	29.4	28.8	30.9	34.5	35.6	38.2	42.7	41	44	49
180		PG <sub>A</sub>	19.6	21.1	23.6	23.4	25.1	28.1	28.1	30.1	33.7	33.9	36.4	40.7	40	42.9	47.9
200		PG <sub>A</sub>	19	20.4	22.8	21.5	23.1	25.9	27.8	29.9	33.5	30.9	33.2	37.2	39.1	42	47
224		PG <sub>A</sub>	17.7	19	21.3	21.1	22.7	25.4	25.9	27.8	31.2	30.2	32.4	36.4	36.6	39.3	44
250		PG <sub>A</sub>	17.3	18.5	20.8	20.3	21.8	24.5	25	26.9	30.2	29.9	32.1	36	35.3	37.9	42.5
280		PG <sub>A</sub>	16.4	17.6	19.8	19	20.4	22.9	23.5	25.2	28.4	27.9	30	33.7	33.7	36.1	40.6
315		PG <sub>A</sub>	15.4	16.5	18.6	18.5	19.8	22.3	22	23.6	26.6	26.8	28.8	32.4	31.6	33.9	38.2
355		PG <sub>A</sub>	-	-	-	17.7	19	21.3	-	-	-	25.2	27.1	30.4	-	-	-
400		PG <sub>A</sub>	-	-	-	16.5	17.7	19.9	-	-	-	23.6	25.4	28.6	-	-	-

		B4 Gearbox Size 齒輪箱框號 (B4SH10 / B4SV10 / B4HH10 / B4HV10 / B4DH10 / B4DV10 / B4KH10 / B4KV10 / B4FH10 / B4FV10)															
Nominal Ratio 公稱減速比 iN	Thermal power 熱功率	Frame Size 框號	10			11			12			13			14		
		Input Speed 輸入轉速(r/min)	750	1000	1500	750	1000	1500	750	1000	1500	750	1000	1500	750	1000	1500
80		PG <sub>A</sub>	-	-	-	84.4	90.6	98.6	-	-	-	113	121	130	-	-	-
90		PG <sub>A</sub>	-	-	-	81.9	87.9	95.9	-	-	-	110	118	128	-	-	-
100		PG <sub>A</sub>	56.3	60.4	66.7	78.7	84.4	92.4	94.3	101	110	104	112	121	121	130	140
112		PG <sub>A</sub>	55	59	65.3	74.9	80.4	88.3	91	97.6	106	100	107	116	118	126	137
125		PG <sub>A</sub>	52.2	56	62.1	71.7	77	84.8	86.9	93.2	102	95.9	102	112	111	119	130
140		PG <sub>A</sub>	50.2	53.9	59.9	67.8	72.8	80.4	82.8	88.8	97.8	91	97.6	107	106	114	125
160		PG <sub>A</sub>	47.8	51.3	57.2	61.9	66.4	73.6	79.3	85.1	94.1	86.1	92.4	101	102	110	121
180		PG <sub>A</sub>	45.4	48.7	54.3	60.2	64.6	71.8	75.1	80.6	89.3	81.3	87.2	96.5	96.7	103	114
200		PG <sub>A</sub>	41.5	44.6	49.8	58.9	63.2	70.5	68.6	73.6	81.9	79.4	85.2	94.7	91.8	98.5	109
224		PG <sub>A</sub>	40.5	43.4	48.6	55.4	59.4	66.5	66.9	71.8	80.2	74.4	79.9	89.1	86.9	93.2	104
250		PG <sub>A</sub>	39.6	42.5	47.8	53.6	57.5	64.5	65.3	70.1	78.6	72	77.3	86.6	84.4	90.6	101
280		PG <sub>A</sub>	37.1	39.8	44.8	51.2	55	61.8	61.3	65.8	74	68	73	82.1	79.4	85.2	95.9
315		PG <sub>A</sub>	35.8	38.4	43.2	47.8	51.3	57.8	59.3	63.7	71.6	64.9	69.6	78.4	76.8	82.4	92.7
355		PG <sub>A</sub>	34.1	36.6	41.2	-	-	-	56.6	60.8	68.4	-	-	-	72.5	99.8	87.6
400		PG <sub>A</sub>	32.2	34.5	38.9	-	-	-	52.8	56.7	63.8	-	-	-	69.1	94.1	83.4

PG<sub>A</sub>: Thermal capacity for gear units without auxiliary cooling 齒輪箱不含冷卻裝置的額定熱容量

\*Contact Varitron® for PG<sub>B</sub>, PG<sub>C</sub>, PG<sub>D</sub> 如需 PG<sub>B</sub>、PG<sub>C</sub>、PG<sub>D</sub> 請洽中國變速

B4 Series Bevel-Helical Right Angle Gearbox Rated Thermal Capacity Table B4 系列直交軸螺旋齒輪-斜齒輪額定容量表 (kW)

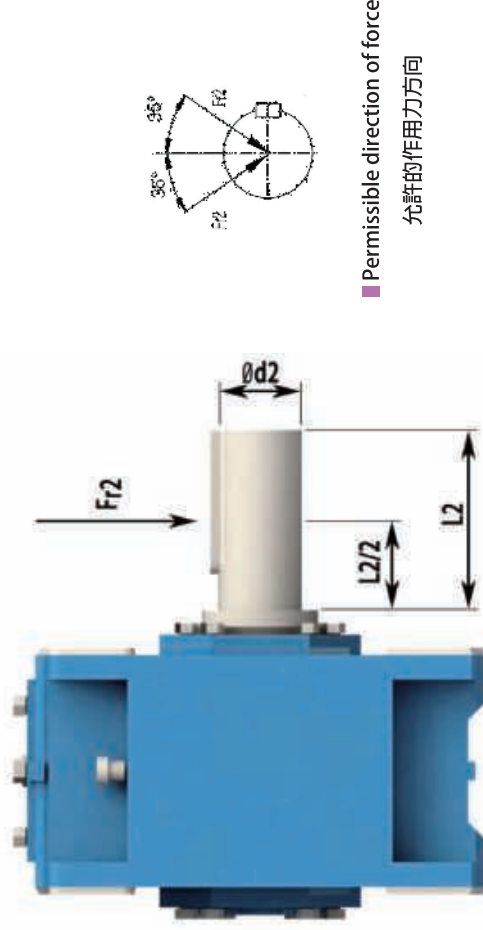
B4 Gearbox Size 齒輪箱框號 (B4SH15 / B4SV15 / B4HH15 / B4HV15 / B4DH15 / B4DV15 / B4KH15 / B4KV15 / B4FH15 / B4FV15)		15			16			17			18			
Nominal Ratio 公稱減速比 iN	Thermal power 熱功率	Frame Size 框號	Input Speed 輸入轉速(r/min)			Input Speed 輸入轉速(r/min)			Input Speed 輸入轉速(r/min)			Input Speed 輸入轉速(r/min)		
			750	1000	1500	750	1000	1500	750	1000	1500	750	1000	1500
80		PG <sub>A</sub>	151	162	171	-	-	-	170	183	189	-	-	-
90		PG <sub>A</sub>	145	155	164	155	167	175	163	175	183	175	188	195
100		PG <sub>A</sub>	136	146	156	149	160	169	153	164	173	168	180	188
112		PG <sub>A</sub>	130	139	149	141	151	161	146	157	167	158	169	179
125		PG <sub>A</sub>	123	132	143	134	144	155	139	149	159	150	161	172
140		PG <sub>A</sub>	119	128	139	127	137	148	134	144	155	143	154	165
160		PG <sub>A</sub>	113	121	132	123	132	143	127	136	147	138	148	160
180		PG <sub>A</sub>	106	114	125	116	124	136	119	128	140	130	139	152
200		PG <sub>A</sub>	104	112	124	109	117	130	118	126	139	123	132	146
224		PG <sub>A</sub>	98.4	105	117	108	116	128	109	117	130	121	130	144
250		PG <sub>A</sub>	95.1	102	114	100	108	120	106	114	127	113	122	136
280		PG <sub>A</sub>	88.5	95	106	97.5	104	117	100	107	120	109	117	132
315		PG <sub>A</sub>	83.6	89.7	100	91.8	98.5	110	94.3	101	113	103	110	124
355		PG <sub>A</sub>	-	-	-	94.3	92.4	103	-	-	-	97.5	104	117
400		PG <sub>A</sub>	-	-	-	-	-	-	-	-	-	-	-	-

B4 Gearbox Size 齒輪箱框號 (B4SH19 / B4SV19 / B4HH19 / B4HV19 / B4DH19 / B4DV19 / B4KH19 / B4KV19 / B4FH19 / B4FV19)		19			20			21			22			
Nominal Ratio 公稱減速比 iN	Thermal power 熱功率	Frame Size 框號	Input Speed 輸入轉速(r/min)			Input Speed 輸入轉速(r/min)			Input Speed 輸入轉速(r/min)			Input Speed 輸入轉速(r/min)		
			750	1000	1500	750	1000	1500	750	1000	1500	750	1000	1500
80		PG <sub>A</sub>	233	250	256	-	-	-	327	351	343	-	-	-
90		PG <sub>A</sub>	223	240	248	239	256	264	316	339	337	331	355	345
100		PG <sub>A</sub>	211	227	236	229	246	255	297	319	321	320	344	339
112		PG <sub>A</sub>	201	216	227	216	232	243	288	309	315	300	322	323
125		PG <sub>A</sub>	191	205	218	206	221	234	271	291	300	291	313	318
140		PG <sub>A</sub>	184	198	211	196	211	225	262	281	294	274	294	304
160		PG <sub>A</sub>	174	187	202	189	203	218	247	265	281	264	284	298
180		PG <sub>A</sub>	163	175	190	178	191	208	231	248	266	250	269	286
200		PG <sub>A</sub>	162	174	191	167	179	196	223	240	260	234	251	271
224		PG <sub>A</sub>	152	163	181	167	179	198	209	224	246	227	243	266
250		PG <sub>A</sub>	147	158	176	156	168	187	202	217	241	212	227	252
280		PG <sub>A</sub>	138	148	167	150	161	182	193	207	233	205	220	247
315		PG <sub>A</sub>	131	140	158	142	153	172	180	193	217	195	210	236
355		PG <sub>A</sub>	-	-	-	134	144	162	-	-	-	182	196	220
400		PG <sub>A</sub>	-	-	-	-	-	-	-	-	-	-	-	-

PG<sub>A</sub>: Thermal capacity for gear units without auxiliary cooling 齒輪箱不含冷卻裝置的額定熱容量\*Contact Varitron® for PG<sub>B</sub>, PG<sub>C</sub>, PG<sub>D</sub> 如需 PG<sub>B</sub>、PG<sub>C</sub>、PG<sub>D</sub> 請洽中國變速

## Permissible Additional Radial Forces on Output Shaft 出力軸允許的附加徑向力

- Application of force on centre of shaft extension  
作用力在軸中間



- Permissible direction of force  
允許的作用力方向

Permissible additional radial forces $Fr_2$ (kN) acting on the centre of the output shaft 允許的附加徑向力 $Fr_2$ (kN) , 作用在出力軸中間		Frame sizes 齒輪箱框號 * (1) (4)																	
Model 型式	Arrangement form Design 布置形式	3	4	5	6	7	8	9	10	11	12	13	14	15	16	17	18		
H1S	A/B	(2)	-	(2)	-	(2)	-	(2)	-	(2)	-	(2)	-	(2)	-	(2)	-		
H2S	A/B/G/H	-	10	22	22	30	30	30	45	64	64	150	150	140	205	205	205		
	C/D	-	10	13	13	18	18	10	28	35	35	112	112	85	135	135	135		
B2S	A/C	-	13	27	27	37	37	38	55	78	78	160	160	150	210	210	210		
	B/D	-	12	15	15	17	17	10	30	35	38	110	110	75	145	100	100		
H3S	A/B/G/H	-	-	29	29	-	-	-	-	-	-	-	-	-	-	-	-		
H4S	C/D	-	-	-	-	-	-	-	-	-	-	-	-	-	-	-	-		
B3S	A/C	-	14	29	29	-	40	40	40	60	85	85	190	185	265	265	265		
B4S	A/C	-	-	29	29	-	-	-	-	-	-	-	-	-	-	-	-		
H3S	C/D	-	-	18	18	-	-	-	-	-	-	-	-	-	-	-	-		
H4S	A/B	-	-	-	-	-	26	26	26	18	40	50	50	150	120	185	190		
B3S	B/D	-	9	18	18	-	-	-	-	-	-	-	-	-	-	-	-		
B4S	B/D	-	-	18	18	-	-	-	-	-	-	-	-	-	-	-	-		

(1) Values in tables are minimum values. They are valid for  $f_1 \geq 1.2$ . If the angle of application of force and the direction of rotation are given, significantly higher additional forces can mostly be allowed. Please contact Varitron® or your sales personal.

(2) Upon request.

(3) For application of force outside the center of the shaft end, see Page 57.

(4) The min. requirement of the foundation bolt is class 8.8. The foundation must be dry an grease-free.

Contact Varitron® or your sales personal if:

- Permissible additional radial forces on output shaft  $d_1$ .
- Permissible additional radial forces on solid output shafts on both sides (assemblies E, F and I).
- Permissible additional radial forces for gear unit size 19-26.

(1)表中數值為最小值，在  $f_1 \geq 1.2$  時可以滿足要求，如果給定了力的作用角和迴轉方向，通常情況下，可允許承受較大的附加力。請與我司聯繫。

(2)請聯絡本公司。

(3)當作用力不在軸中間時，請參閱第 57 頁。

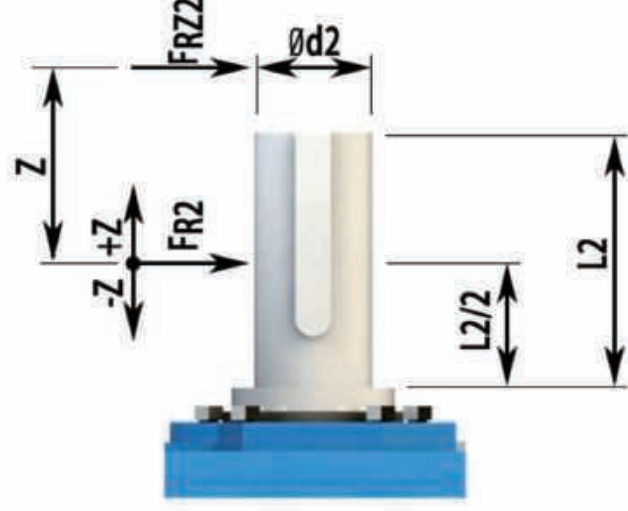
(4)固定螺栓的最低性能等級為 8.8，基礎必須乾燥，不得有油脂。

請聯絡本公司：

- 如用戶要求，允許輸入軸  $d_1$  上附加徑向力。
- 雙出軸實心軸上允許的附加徑向力（設計型式 E、F 和 I）。
- 19-26 號齒輪箱上允許的附加徑向力。

## Permissible Additional Radial Forces on Output Shaft 出力軸允許的附加徑向力

### Application of force not on centre of shaft end 作用力不在軸中間



- $F_{RZ2}$  Permissible external radial force  
允許的外部徑向力
- $F_{R2}$  Permissible additional radial force,  
refer to page 56  
允許的附加徑向力，請查閱第 56 頁
- k Force coefficient according to the  
following table.  
作用力係數根據下表

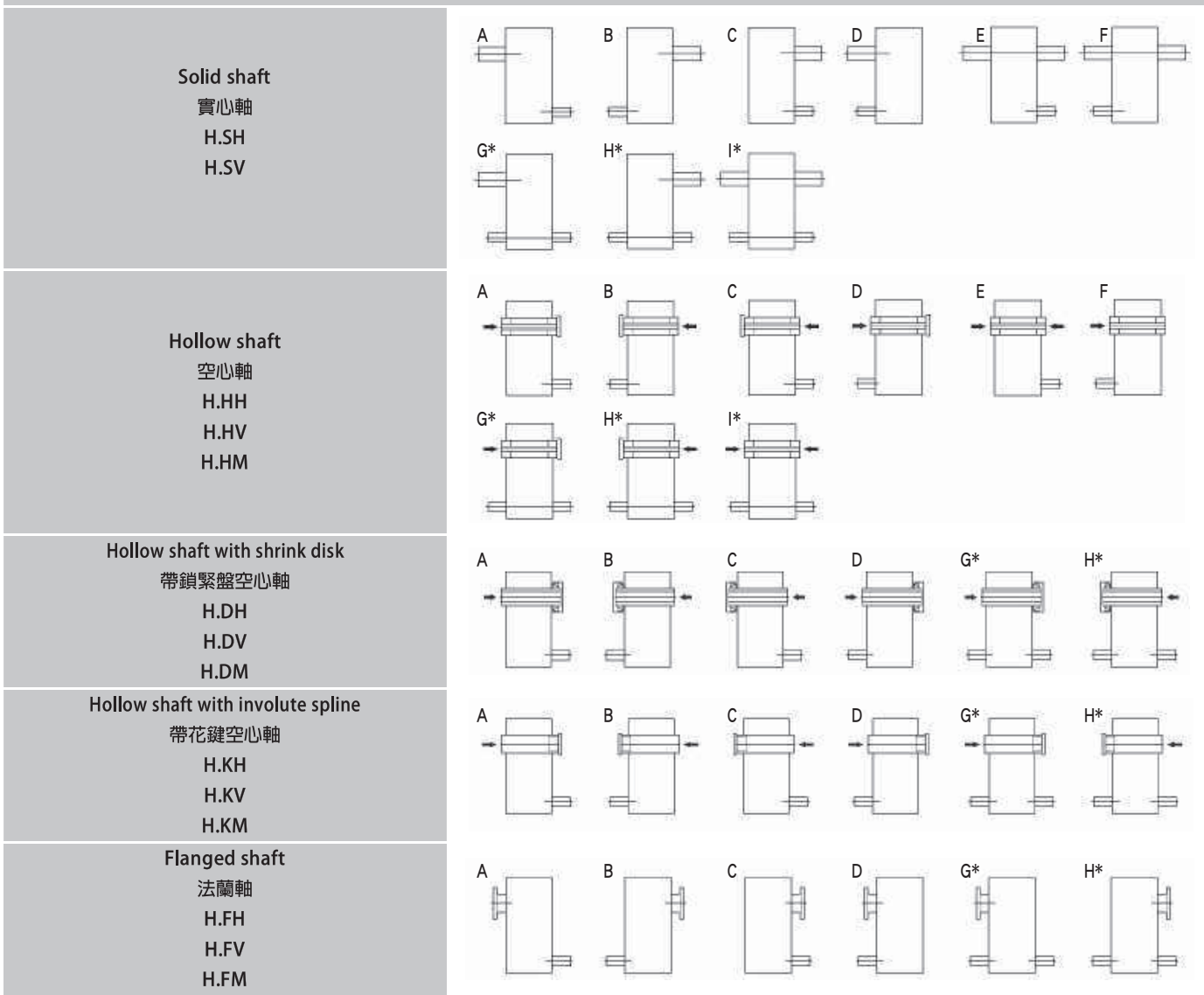
$$F_{RZ2} = F_{R2} \times k$$

Frame Size 框號	Force coefficient (k) / 作用力係數(k)																			
	Distance Z (mm) / 距離 Z (mm)																			
3	-200	-150	-100	-75	-50	-25	0	25	50	75	100	150	200	250	300	-	-	-	-	-
4	-	-	-	-	1.21	1.09	1	0.85	0.74	0.65	0.58	0.48	-	-	-	0.44	0.43	-	-	-
5~6	-	-	-	1.22	1.14	1.06	1	0.88	0.79	0.72	0.66	0.56	0.49	0.43	-	0.49	0.43	-	-	-
7~8	-	-	-	1.19	1.12	1.06	1	0.89	0.81	0.74	0.68	0.58	0.51	0.46	0.41	0.51	0.46	-	-	-
9~10	-	-	1.22	1.15	1.1	1.05	1	0.9	0.82	0.76	0.7	0.61	0.54	0.48	0.44	0.61	0.54	-	-	-
11~12	-	-	1.18	1.13	1.08	1.04	1	0.91	0.84	0.78	0.73	0.64	0.57	0.51	0.47	0.73	0.64	-	-	-
13~14	-	1.24	1.15	1.11	1.07	1.03	1	0.92	0.86	0.8	0.75	0.67	0.6	0.55	0.5	0.8	0.75	-	-	-
15~16	-	1.2	1.12	1.09	1.06	1.03	1	0.93	0.87	0.82	0.77	0.69	0.63	0.58	0.53	0.93	0.82	-	-	-
17~18	1.25	1.17	1.11	1.08	1.05	1.03	1	0.94	0.88	0.84	0.79	0.72	0.66	0.6	0.56	1.03	0.88	0.84	0.79	0.72



# Arrangement Form and Direction of Rotation 布置型式及旋轉方向

H Series Helical Parallel Shaft Gearbox Arrangement Form H 系列平行軸齒輪箱布置型式



型號 Type	Frame Size 框號															
	4	5	6	7	8	9	10	11	12	13	14	15	16	17	18	≥19
Design G/H/I with iN shown in the table are on request	iN															
	H2	20 22.4	20 22.4	25 28	18 22.4	22.4 28	18 22.4	22.4 28	20 22.4	25 28	18 20	22.4 25	18 20	20 22.4	18 20	20 22.4
當布置形式 G/H/I 在右 表中 iN 時不 供貨	H3	/	80 90	100 112	80 90	100 112	90	112	80 90	100 112	80 90	100 112	190	100	90	100
		H4	/	/	/	250 280 315 355	315 355 400 450	280 315 355 400	355 400 450	280 315 355 400	355 400 450	280 315 355 400	315 355 400			

Contact  
Varitron® or  
your sales  
personal  
請聯絡  
本公司

Contact Varitron® or  
your sales personal  
請聯絡本公司

# Arrangement Form and Direction of Rotation 布置型式及旋轉方向

		H Series Helical Parallel Shaft Gearbox Direction of Rotation			H 系列平行軸齒輪箱旋轉方向	
H1.H	A		B			
H2.H	A		B		C	
	H2.M	F	G	H	I	E
H2.V	A		B		C	
	F	G	H	I	E	
H3.H	A		B		C	
	H3.M	F	G	H	I	E
H3.V	A		B		C	
	F	G	H	I	E	
H4.H	A		B		C	
	H4.M	F	G	H	I	E
H4.V	A		B		C	
	E	F	G	H		

Note: Gear unit can operate in clockwise and counter-clockwise 註:齒輪箱可雙向旋轉

# Arrangement Form and Direction of Rotation 布置型式及旋轉方向

B Series Bevel-Helical Right Angle Gearbox Arrangement Form B 系列直交螺旋齒輪-斜齒輪布置型式

<p>Solid shaft 實心軸</p> <p>B.SH B.SV</p>	
<p>Hollow Shaft 空心軸</p> <p>B.HH B.HV B.HM</p>	
<p>Hollow shaft with shrink disk 帶鎖緊空心軸</p> <p>B.DH B.DV B.DM</p>	
<p>Hollow shaft with involute spline 帶花鍵空心軸</p> <p>B.KH B.KV B.KM</p>	
<p>Flanged shaft 法蘭軸</p> <p>B.FH B.FV B.FM</p>	

Note: Gear unit can operate in clockwise and counter-clockwise 註:齒輪箱可雙向旋轉

# Arrangement Form and Direction of Rotation 布置型式及旋轉方向

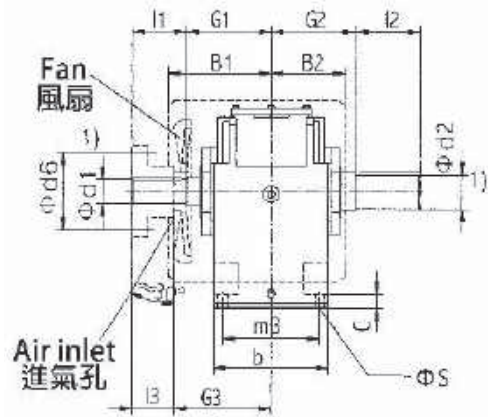
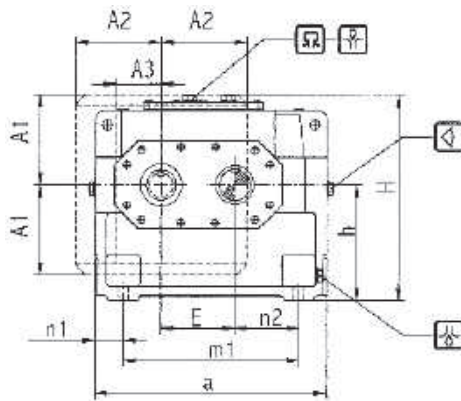
B Series Bevel-Helical Right Angle Gearbox Direction of Rotation		B 系列直交軸螺旋齒輪-斜齒輪旋轉方向					
B2.H	A	B	C	D	E	F	
B2.V	A	B	C	D	E	F	
B3.H	A	B	C	D	E	F	
B3.V	A	B	C	D	E	F	
B4.H	A	B	C	D	E	F	
B4.V	A	B	C	D	E	F	

Note: Gear unit can operate in clockwise and counter-clockwise 註:齒輪箱可雙向旋轉

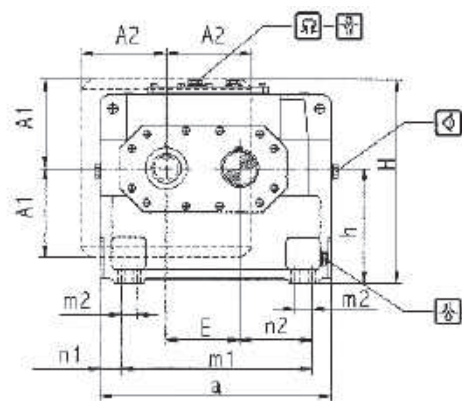
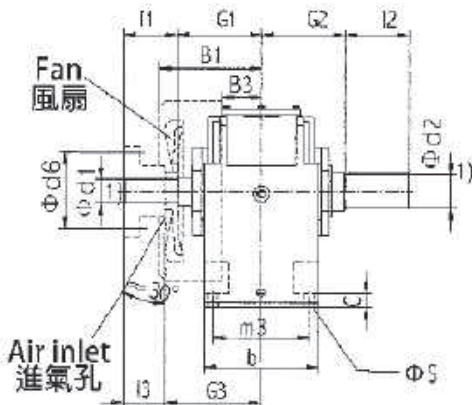
# H1 Frame Size 框號 3~19

H1 Series Parallel Shaft Gearbox(Horizontal Installation) H1 系列平行軸齒輪箱(臥式安裝)

■ H1SH3-H1SH15



■ H1SH17-H1SH19



Frame Size 框號	Input shaft 入力軸														Gear units 齒輪箱						
	iN=1.25~2.8			iN=1.6~2.8			iN=2~2.8			iN=3.15~4.0			iN=4.5~5.6			G1	G3	a	b	m1	m2
	d1	l1	l3	d1	l1	l3	d1	l1	l3	d1	l1	l3	d1	l1	l3						
3	60m6	125	105							45	100	80	32	80	60	170	190	420	200	310	-
5	85m6	160	130							60	135	105	50	110	80	210	240	580	285	440	-
7	110m6	200	165							75	140	105	60	140	105	250	285	690	375	540	-
9	110m6	200	165							90	165	130	75	140	105	280	315	805	425	625	-
11				130m6	240	205				110	205	170	90	170	135	325	360	960	515	770	-
13				150m6	245	200				130	245	200	100	210	165	365	410	1100	580	870	-
15							180m6	290	240	150	250	200	125	250	200	360	410	1295	545	1025	-
17							200m6	330	280	170	290	240	140	250	200	400	450	1410	615	1170	130
19							220m6	340	290	190	340	290	160	300	250	440	490	1590	690	1290	150

Frame Size 框號	Gear units 齒輪箱							Fan 冷卻風扇							Output shaft 出力軸				Lubrication 潤滑油 (L)	Weight 重量 (kg)
	m3	C	E	h	H	n1	n2	S	A1	A2	A3	B1	B2	B3	d6	d2	l2	G2		
3	160	28	130	200	375	55	110	19	150	145	80	205	130	-	130	60m6	125	170	7	128
5	240	35	185	290	525	70	160	24	225	215	115	255	185	-	190	85m6	160	210	22	302
7	315	45	225	350	625	75	195	28	255	250	120	300	230	-	245	105m6	200	250	42	547
9	350	50	265	420	735	90	225	35	300	265	140	330	265	-	280	125m6	210	270	68	862
11	440	60	320	500	875	95	280	35	360	330	190	375	320	-	350	150m6	240	320	120	1515
13	490	70	370	580	1020	115	315	42	415	350	-	430	-	150	350	180m6	310	360	175	2395
15	450	80	442	600	1115	135	370	48	500	430	-	430	-	120	450	220m6	350	360	190	3200
17	530	80	490	670	1235	120	425	42	550	430	-	470	-	150	445	240m6	400	400	270	4250
19	590	90	555	760	1395	150	465	48	630	475	-	510	-	190	445	270m6	450	440	390	5800

iN=Nominal Ratio 公稱減速比

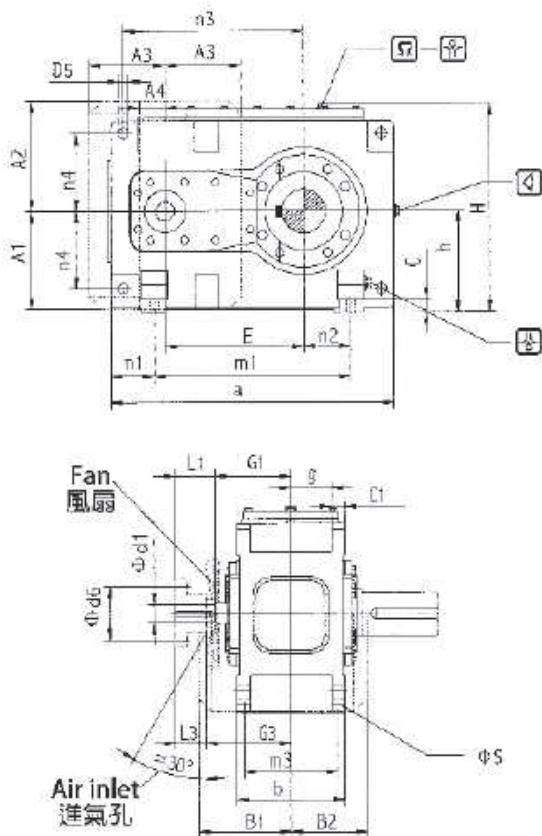
For parallel key dimensions and centre bore, refer to page 93~94. 有關平鍵和中心孔，參見第 93~94 頁



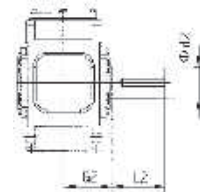
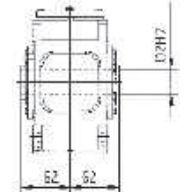
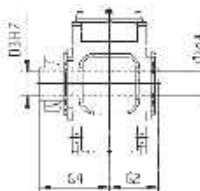
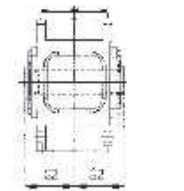
# H2 Frame Size 框號 4~12


## H2 Series Parallel Shaft Gearbox(Horizontal Installation) H2 系列平行軸齒輪箱(臥式安裝)

■ H2SH, H2HH, H2DH, H2KH, H2FH



### Output shaft 出力軸

- H2SH Solid shaft 實心軸
 
- H2HH Hollow shaft 空心軸
 
- H2DH Hollow shaft for shrink disk 帶脹緊盤的空心軸
 
- H2KH Hollow shaft with involute spline 帶花鍵的空心軸
 

Involute spline refer page 89~90  
花鍵參數見 89~90 頁
- H2FH Flanged shaft 法蘭軸
 

Flanged shaft refer page 91~92  
法蘭的接口尺寸見 91~92 頁



Frame Size 框號	Input shaft 入力軸												Gear units 齒輪箱											
	iN=6.3~11.2			iN=8~14			iN=12.5~22.4			iN=16~28			G1	G3	a	b	m1	m3	E	n1	n2	S	C	C1
4	45k6	100	80				32k6	80	60				170	190	565	215	355	180	270	105	85	19	28	30±1
5	50k6	100	80				38k6	80	60				195	215	640	255	430	220	315	105	100	19	28	30±1
6				50k6	100	80				38k6	80	60	195	215	720	255	510	220	350	105	145	19	28	30±1
7	60m6	135	105				50k6	110	80				210	240	785	300	545	260	385	120	130	24	35	36±1
8				60m6	135	105				50k6	110	80	210	240	890	300	650	260	430	120	190	24	35	36±1
9	75m6	140	110				60m6	140	110				240	270	925	370	635	320	450	145	155	28	40	45±1.5
10				75m6	140	110				60m6	140	110	240	270	1025	370	735	320	500	145	205	28	40	45±1.5
11	90m6	165	130				70m6	140	105				275	310	1105	430	775	370	545	165	180	35	50	54±1.5
12				90m6	165	130				70m6	140	105	275	310	1260	430	930	370	615	165	265	35	50	54±1.5

Frame Size 框號	Gear units 齒輪箱					Fan 冷卻風扇						Output shaft 輸出軸										Lubrication 潤滑油 (L)	Weight 重量 (kg)	
	D5	g	h	n4	H	A1	A2	A3	A4	B1	B2	d6	d2	L2	G2	D2	D3	d4	G4	G5	H2SH		H2FH	
4	24	77.5	200	150	415	195	225	150	30	205	158	136	80m6	170	140	80	85	85	205	-	7	190	-	
5	24	97.5	230	180	482	225	260	175	55	230	178	150	100m6	210	165	95	100	100	240	255	11	300	335	
6	24	97.5	230	180	482	225	260	175	55	230	178	150	110m6	210	165	105	110	110	240	255	12	355	395	
7	28	114	280	215	572	272	305	210	70	255	210	200	120m6	210	195	115	120	120	280	300	21	505	555	
8	28	114	280	215	582	272	305	210	70	255	210	200	130m6	250	195	125	130	130	285	300	23	590	645	
9	36	140	320	245	662	312	355	240	100	285	245	200	140m6	250	235	135	140	145	330	350	33	830	915	
10	36	140	320	245	662	312	355	240	100	285	245	200	160m6	300	235	150	150	155	350	350	34	960	1050	
11	40	161	380	300	782	372	420	285	135	325	285	210	170m6	300	270	165	165	170	400	400	58	1335	1465	
12	40	161	380	300	790	372	420	285	135	325	285	210	180m6	300	270	180	180	185	405	400	60	1615	1755	

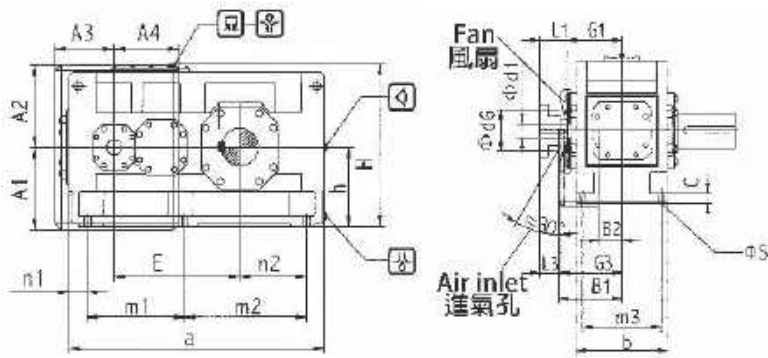
iN=Nominal Ratio 公稱減速比

For parallel key dimensions and centre bore, refer to page 93~94. 有關平鍵和中心孔，參見第 93~94 頁

# H2 Frame Size 框號 13~26

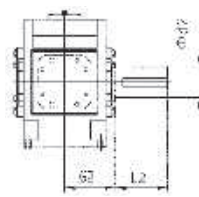
## H2 Series Parallel Shaft Gearbox(Horizontal Installation) H2 系列平行軸齒輪箱(臥式安裝)

■ H2SH, H2HH, H2DH, H2KH, H2FH

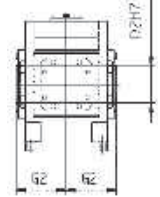


Output shaft 出力軸

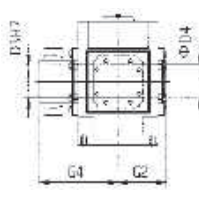
■ H2SH  
Solid shaft  
實心軸



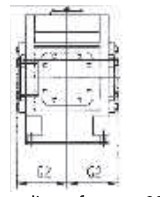
■ H2HH, H2HM  
Hollow shaft  
空心軸



■ H2DH, H2DM  
Hollow shaft for shrink disk  
帶脹緊盤的空心軸

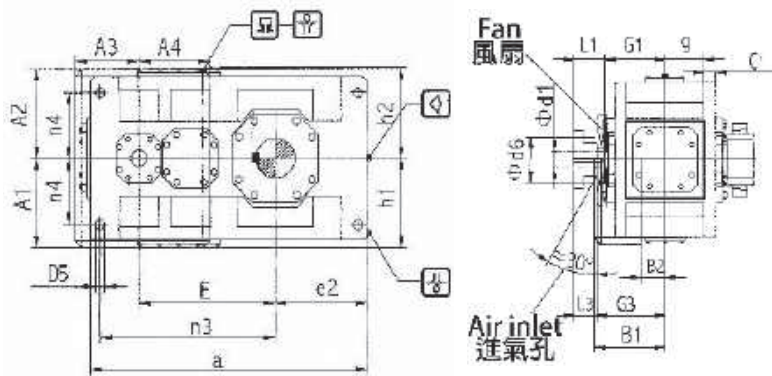


■ H2KH, H2KM  
Hollow shaft with involute spline  
帶花鍵的空心軸

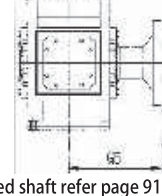


Involute spline refer page 89~90  
花鍵參數見 89~90 頁

■ H2HM, H2DM, H2KM, H2FM



■ H2FH  
Flanged shaft  
法蘭軸



Flanged shaft refer page 91~92  
法蘭的接口尺寸見 91~92 頁



Frame Size 框號	Input shaft 入力軸												Gear units 齒輪箱																								
	iN=6.3~11.2			iN=7.1~12.5			iN=8~14			iN=12.5~20			iN=14~22.4			iN=16~25			G1	G3	a	b	m1	m3	E	n1	n2	s	C	C1							
	d1	L1	L3	d1	L1	L3	d1	L1	L3	d1	L1	L3	d1	L1	L3	d1	L1	L3	d1	L1	L3	d1	L1	L3	d1	L1	L3	d1	L1	L3	d1	L1	L3				
13	100m6	205	170							85m6	170	135				330	365	1290	550	545	475	635	100	305	35	60	61±2										
14							100m6	205	170							85m6	170	135	330	365	1430	550	545	475	705	100	375	35	60	61±2							
15	120m6	210	165							100m6	210	165				365	410	1550	625	655	535	762	120	365	42	70	72±2										
16				120m6	210	165							100m6	210	165	365	410	1640	625	655	535	808	120	410	42	70	72±2										
17	125m6	245	200							110m6	210	165				420	465	1740	690	735	600	860	135	390	42	80	81±2										
18				125m6	245	200							110m6	210	165	420	465	1860	690	735	600	920	135	450	42	80	81±2										
19	150m6	245	200							120m6	210	165				475	520	2010	790	850	690	997	155	435	48	90	91±2										
20				150m6	245	200							120m6	210	165	475	520	2130	790	850	690	1057	155	495	48	90	91±2										
21	170m6	290	240							140m6	250	200				495	545	2140	830	900	720	1067	170	485	56	100	100±2										
22				170m6	290	240							140m6	250	200	495	545	2250	830	900	720	1122	170	540	56	100	100±2										
23	190m6	330	280							150m6	250	200				560	610	2380	930	1010	810	1185	180	550	56	115	120±2										
24				190m6	330	280							150m6	250	200	560	610	2510	930	1010	810	1250	180	615	56	115	120±2										
25	200m6	340	290							170m6	300	250				600	650	2580	1045	1090	910	1325	200	590	66	130	120±2										
26				200m6	340	290							170m6	300	250	600	650	2760	1045	1090	910	1415	200	680	66	130	120±2										

Frame Size 框號	Gear units 齒輪箱										Fan 冷卻風扇						Output shaft 出力軸										Lubrication 潤滑油 (L)		Weight 重量 (kg)				
	D5	g	h	h1	h2	n3	n4	e2	H	A1	A2	A3	A4	B1	B2	d6	d2	L2	G2	D2	D3	d4	G4	G5	H2.H	H2.M	H2SH H2HH H2DH H2KH	H2HM H2KM H2DM	H2FH	H2FM			
13	48	211.5	440	450	460	835	340	405	900	430	460	330	365	385	135	250	200m6	350	335	190	190	195	480	480	135	110	2000	1880	2160	2040			
14	48	211.5	440	450	460	905	340	475	900	430	460	330	365	385	135	250	210m6	350	335	210	210	215	480	480	140	115	2570	2430	2740	2600			
15	55	238	500	490	500	1005	375	485	1000	490	500	370	440	430	155	280	230m6	410	380	230	230	235	550	550	210	160	3430	3240	3670	3480			
16	55	238	500	490	500	1050	375	530	1000	490	500	370	440	430	155	280	240m6	410	380	240	240	245	550	550	215	165	3655	3465	3910	3720			
17	55	259	550	555	560	1145	425	525	1110	540	565	435	505	485	140	280	250m6	410	415	250	250	260	600	600	290	230	4650	4420	4950	4720			
18	55	259	550	555	560	1205	425	585	1110	540	565	435	505	485	140	280	270n6	470	415	275	280	285	600	600	300	240	5125	4870	5475	5220			
19	65	299	620	615	620	1345	475	590	1240	600	600	500	450	540	190	310	290n6	470	465	-	285	295	670	670	320	300	6600	6300					
20	65	299	620	615	620	1405	475	650	1240	600	600	500	450	540	190	310	300n6	500	465	-	310	315	670	670	340	320	7500	7200					
21	75	310	700	685	690	1400	520	655	1390	680	680	500	610	565	200	450	320n6	500	490	-	330	335	715	710	320	350	8900	8400					
22	75	310	700	685	690	1455	520	710	1390	680	680	500	610	565	200	450	340n6	550	490	-	340	345	725	710	340	370	9600	9200					
23	80	342	780	770	770	1560	580	730	1550	770	770	550	550	630	220	450	360n6	590	540	-	360	365	785	-	430	470	11600	11000					
24	80	342	780	770	770	1625	580	795	1550	770	770	550	550	630	220	450	380n6	590	540	-	380	385	805	-	450	500	13000	12300					
25	90	400	860	860	860	1685	660	790	1720	845	865	550	550	670	240	450	400n6	650	605	-	400	405	875	-	600	660	15500	14700					
26	90	400	860	860	860	1775	660	880	1720	845	865	550	550	670	240	450	420n6	650	605	-	430	435	900	-	640	700	17200	16200					

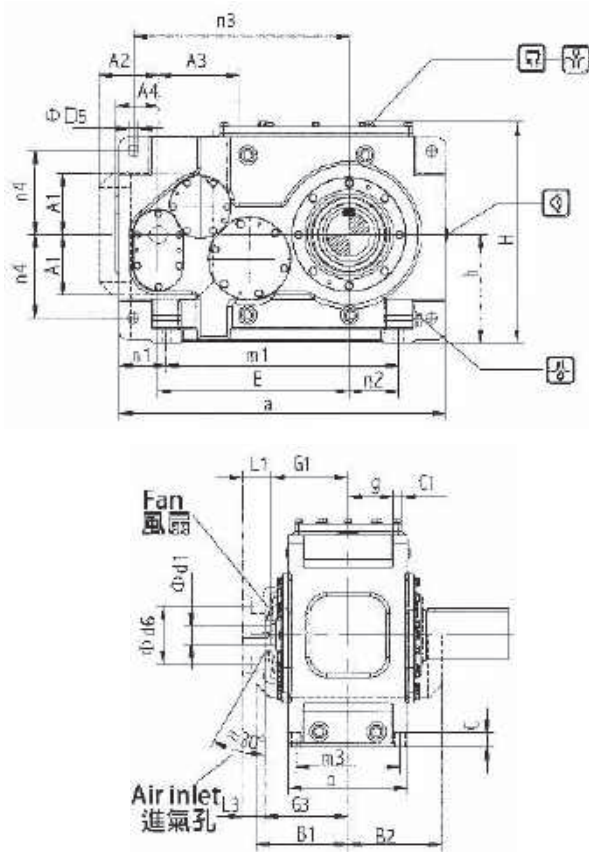
iN=Nominal Ratio 公稱減速比

For parallel key dimensions and centre bore, refer to page 93~94. 有關平鍵和中心孔, 參見第 93~94 頁

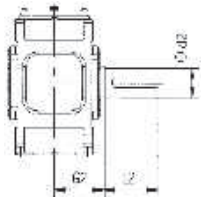

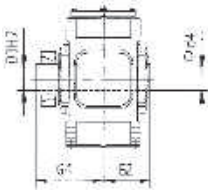
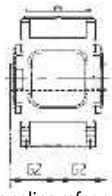
# H3 Frame Size 框號 5~12

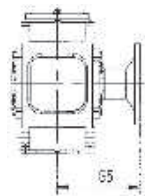
## H3 Series Parallel Shaft Gearbox(Horizontal Installation) H3 系列平行軸齒輪箱(臥式安裝)

■ H3SH, H3HH, H3DH, H3KH, H3FH



### Output shaft 出力軸

- H3SH Solid shaft 實心軸
 
- H3HH Hollow shaft 空心軸
 
- H3DH Hollow shaft for shrink disk 帶脹緊盤的空心軸
 
- H3KH Hollow shaft with involute spline 帶花鍵的空心軸
 

Involute spline refer page 89~90  
花鍵參數見 89~90 頁
- H32FH Flanged shaft 法蘭軸
 

Flanged shaft refer page 91~92  
法蘭的接口尺寸見 91~92 頁



Frame Size 框號	Input shaft 入力軸														Gear units 齒輪箱												
	iN=25~45			iN=31.5~56			iN=50~63			iN=63~80			iN=71~90			iN=90~112			G1	G3	a	b	m1	m3	E	n1	n2
	d1	L1	L3	d1	L1	L3	d1	L1	L3	d1	L1	L3	d1	L1	L3	d1	L1	L3									
5	40k6	90	70				30k6	70	50				24k6	60	40				160	220	690	255	480	220	405	105	100
6				40k6	90	70				30k6	70	50				24k6	60	40	160	220	770	255	560	220	440	105	145
7	45k6	100	80				35k6	80	60				28k6	70	50				185	250	845	300	605	260	495	120	130
8				45k6	100	80				35k6	80	60				28k6	70	50	185	250	950	300	710	260	540	120	190
9	60m6	125	105				45k6	100	80				32k6	80	60				230	300	1000	370	710	320	580	145	155
10				60m6	125	105				45k6	100	80				32k6	80	60	230	300	1100	370	810	320	630	145	205
11	70m6	140	110				50k6	110	80				42k6	100	70				255	330	1200	430	870	370	705	165	180
12				70m6	140	110				50k6	110	80				42k6	100	70	255	330	1355	430	1025	370	775	165	265

Frame Size 框號	Gear units 齒輪箱										Fan 冷卻風扇						Output shaft 出力軸										Lubrication 潤滑油 (L)	Weight 重量 (kg)		
	S	C	C1	D5	g	h	n3	n4	H	A1	A2	A3	A4	B1	B2	d6	d2	l2	G2	D2	D3	d4	G4	G5	H3SH	H3HH		H3DH	H3KH	H3FH
5	19	28	30±1	24	97.5	230	455	180	482	137	135	140	140	215	175	60	100m6	210	165	95	100	100	240	255	16	320	355			
6	19	28	30±1	24	97.5	230	490	180	482	137	135	140	140	215	175	60	110m6	210	165	105	110	110	240	255	18	365	405			
7	24	35	36±1	28	114	280	560	215	572	157	160	180	180	245	205	75	120m6	210	195	115	120	120	280	300	29	540	590			
8	24	35	36±1	28	114	280	605	215	582	157	160	180	180	245	205	75	130m6	250	195	125	130	130	285	300	32	625	675			
9	28	40	45±1	36	140	320	660	245	662	182	190	205	205	295	240	90	140m6	250	235	135	140	145	330	350	48	875	960			
10	28	40	45±1.5	36	140	320	710	245	662	182	190	205	205	295	240	90	160m6	300	235	150	150	155	350	350	49	1020	1110			
11	35	50	54±1.5	40	161	380	805	300	782	218	220	255	255	325	280	100	170m6	300	270	165	165	170	400	400	85	1400	1530			
12	35	50	54±1.5	40	161	380	875	300	790	218	220	255	255	325	280	100	180m6	300	270	180	180	185	405	400	90	1675	1815			

iN=Nominal Ratio 公稱減速比

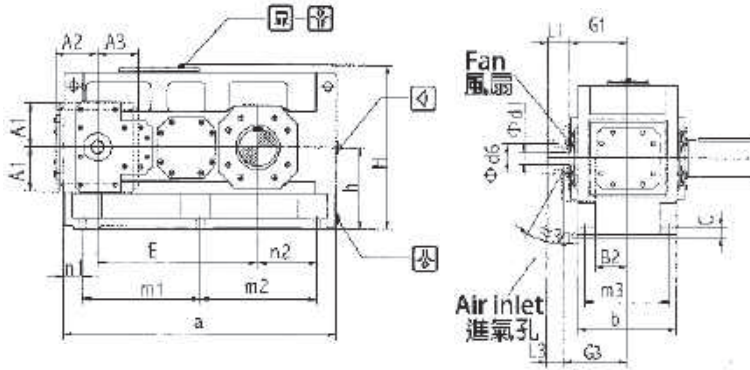
For parallel key dimensions and centre bore, refer to page 93~94. 有關平鍵和中心孔，參見第 93~94 頁



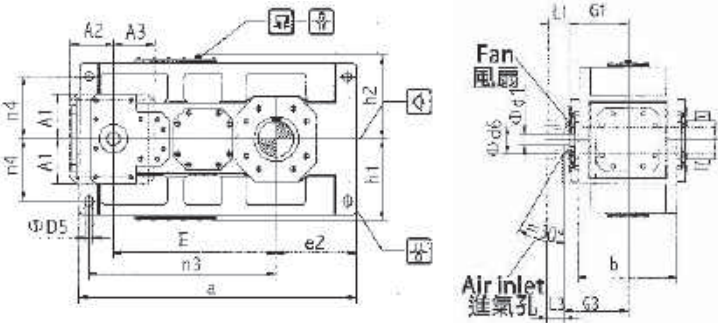
# H3 Frame Size 框號 13~26

## H3 Series Parallel Shaft Gearbox(Horizontal Installation) H3 系列平行軸齒輪箱(臥式安裝)

### H3SH, H3HH, H3DH, H3KH, H3FH

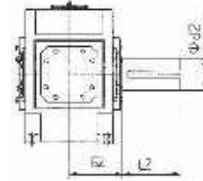


### H3HH, H3DM, H3KM, H3FM

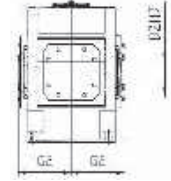


### Output shaft 出力軸

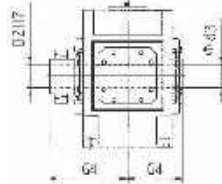
**H3SH**  
Solid shaft  
實心軸



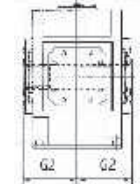
**H3HH, H3HM**  
Hollow shaft  
空心軸



**H3DH, H3DM**  
Hollow shaft for shrink disk  
帶脹緊盤的空心軸



**H3KH, H3KM**  
Hollow shaft with involute spline  
帶花鍵的空心軸



Involute spline refer page 89~90  
花鍵參數見 89~90 頁

**H3FH**  
Flanged shaft  
法蘭軸



Flanged shaft refer page 91~92  
法蘭的接口尺寸見 91~92 頁



Frame Size 框號	Input shaft 入力軸															Gear units 齒輪箱													
	iN=22.4~45			iN=25~50			iN=50~63			iN=56~71			iN=71~90			iN=80~112			G1	G3	a	b	m1	m3	E	n1	n2	S	C
13	85m6	160	130				60m6	135	105				50k6	110	80			310	385	1395	550	597.5	475	820	100	305	35	60	61±2
14				85m6	160	130				60m6	135	105						310	385	1535	550	597.5	475	890	100	375	35	60	61±2
15	110m6	200	165				75m6	140	105				60m6	140	105			350	420	1680	625	720	535	987	120	365	42	70	72±2
16				100m6	200	165				75m6	140	105						350	420	1770	625	720	535	1033	120	410	42	70	72±2
17	100m6	200	165				75m6	140	105				60m6	140	105			380	450	1770	690	750	600	1035	135	390	42	80	81±2
18				100m6	200	165				75m6	140	105						380	450	1890	690	750	600	1095	135	450	42	80	81±2
19	110m6	200	*				90m6	165	*				75m6	140	*			430	-	2030	790	860	690	1190	155	435	48	90	91±2
20				110m6	200	*				90m6	165	*						430	-	2150	790	860	690	1250	155	495	48	90	91±2
21	130m6	240	*				110m6	205	*				90m6	170	*			470	-	2340	830	1000	720	1387	170	485	56	100	100±2
22				130m6	240	*				110m6	205	*						470	-	2450	830	1000	720	1442	170	540	56	100	100±2
23	130m6	240	-				110m6	205	-				90m6	170	-			510	-	2530	930	1085	810	1505	180	550	56	115	120±2
24				130m6	240	-				110m6	205	-						510	-	2660	930	1085	810	1570	180	615	56	115	120±2
25	150m6	245	-				130m6	245	-				100m6	210	-			570	-	2830	1045	1215	910	1695	200	590	66	130	120±2
26				150m6	245	-				130m6	245	-						570	-	3010	1045	1215	910	1785	200	680	66	130	120±2

Frame Size 框號	Gear units 齒輪箱										Fan 冷卻風扇					Output shaft 出力軸										Lubrication 潤滑油 (L)		Weight 重量 (kg)				
	D5	g	h	h1	h2	n3	n4	e2	H	A1	A2	A3	B1	B2	d6	d2	L2	G2	D2	d3	d4	G4	G5	H3.H	H3.M	H3SH H3HH H3DH H3KH	H3HM H3KM H3DM	H3FH	H3FM			
13	48	211.5	440	450	460	940	340	405	900	225	225	212	380	195	120	200m6	350	335	190	190	195	480	480	160	125	2295	2155	2455	2305			
14	48	211.5	440	450	460	1010	340	475	900	225	225	212	380	195	120	210m6	350	335	210	210	215	480	480	165	130	2625	2490	2795	2660			
15	55	238	500	490	500	1135	375	485	1000	270	265	252	415	205	150	230m6	410	380	230	230	235	550	550	235	190	3475	3260	3715	3500			
16	55	238	500	490	500	1180	375	530	1000	270	265	252	415	205	150	240m6	410	380	240	240	245	550	550	245	195	3875	3625	4130	3880			
17	55	259	550	555	560	1175	425	525	1110	270	265	252	455	235	150	250m6	410	415	250	250	260	600	600	305	240	4560	4250	4860	4550			
18	55	259	550	555	560	1235	425	585	1110	270	265	252	455	235	150	270n6	470	415	275	280	285	600	600	315	250	5030	4740	5380	5090			
19	65	299	620	615	620	1365	475	590	1240							290n6	470	465	-	285	295	670	670	420	390	6700	6200					
20	65	299	620	615	620	1425	475	650	1240							300n6	500	465	-	310	315	670	670	450	415	8100	7600					
21	75	310	700	685	690	1600	520	655	1390							320n6	500	490	-	330	335	715	710	470	515	9100	8500					
22	75	310	700	685	690	1655	520	710	1390							340n6	550	490	-	340	345	725	710	490	540	9800	9300					
23	80	342	780	770	790	1725	580	730	1570							360n6	590	540	-	360	365	785	-	620	690	1150	10600					
24	80	342	780	770	790	1790	580	795	1570							380n6	590	540	-	380	385	805	-	650	725	13400	12500					
25	90	400	860	860	860	1965	660	790	1720							400n6	650	605	-	400	405	875	-	880	970	16100	15200					
26	90	400	860	860	860	2055	660	880	1720							420n6	650	605	-	430	435	900	-	935	1030	17600	16500					

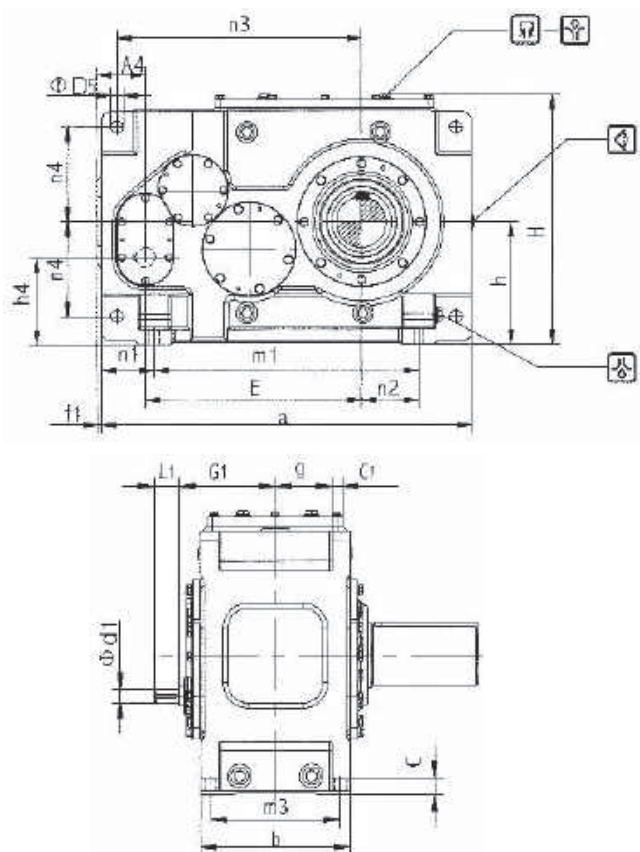
iN=Nominal Ratio 公稱減速比

For parallel key dimensions and centre bore, refer to page 93~94. 有關平鍵和中心孔, 參見第 93~94 頁

# H4 Frame Size 框號 7~12

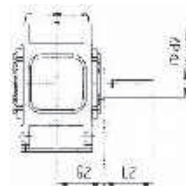
## H4 Series Parallel Shaft Gearbox(Horizontal Installation) H4 系列平行軸齒輪箱(臥式安裝)

■ H4SH, H4HH, H4DH, H4KH, H4FH

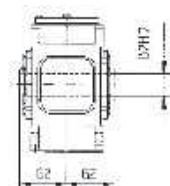


### Output shaft 出力軸

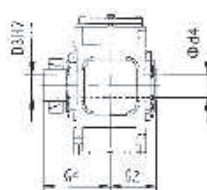
■ H4SH  
Solid shaft  
實心軸



■ H4HH  
Hollow shaft  
空心軸



■ H4DH  
Hollow shaft for shrink disk  
帶脹緊盤的空心軸

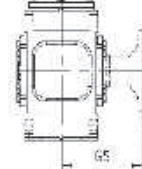


■ H4KH  
Hollow shaft with involute spline  
帶花鍵的空心軸



Involute spline refer page 89~90  
花鍵參數見 89~90 頁

■ H4FH  
Flanged shaft  
法蘭軸



Flanged shaft refer page 91~92  
法蘭的接口尺寸見 91~92 頁

CAD 尺寸



gear.fyi/hcg

Frame Size 框號	Input shaft 入力軸									Gear units 齒輪箱									
	iN=100~180		iN=125~224		iN=200~355		iN=250~450		G1	a	b	m1	m3	E	n1	n2	S	C	C1
	d1	L1	d1	L1	d1	L1	d1	L1											
7	30k6	50			24k6	40			180	845	300	605	260	495	120	130	24	35	36±1
8			30k6	50			24k6	40	180	950	300	710	260	540	120	190	24	35	36±1
9	35k6	60			28k6	50			215	1000	370	710	320	580	145	155	28	40	45±1
10			35k6	60			28k6	50	215	1100	370	810	320	630	145	205	28	40	45±1.5
11	45k6	100			32k6	80			250	1200	430	870	370	705	165	180	35	50	54±1.5
12			45k6	100			32k6	80	250	1355	430	1025	370	775	165	265	35	50	54±1.5

Frame Size 框號	Gear units 齒輪箱									Output shaft 出力軸									Lubrication 潤滑油 (L)	Weight 重量 (kg)	
	D5	g	h	h4	n3	n4	f1	H	f1	d2	L2	G2	D2	D3	d4	G4	G5	H4SH H4HH H4DH H4KH		H4FH	
7	28	114	280	200	560	215	37	572	37	120m6	210	195	115	120	120	280	300	25	550	600	
8	28	114	280	200	605	215	37	582	37	130m6	250	195	125	130	130	285	300	27	645	700	
9	36	140	320	230	660	245	43	662	43	140m6	250	235	135	140	145	330	350	48	875	960	
10	36	140	320	230	710	245	43	662	43	160m6	300	235	150	150	155	350	350	50	1010	1100	
11	40	161	380	270	805	300	47	782	47	170m6	300	270	165	165	170	400	400	80	1460	1590	
12	40	161	380	270	875	300	47	790	47	180m6	300	270	180	180	185	405	400	87	1725	1865	

iN=Nominal Ratio 公稱減速比

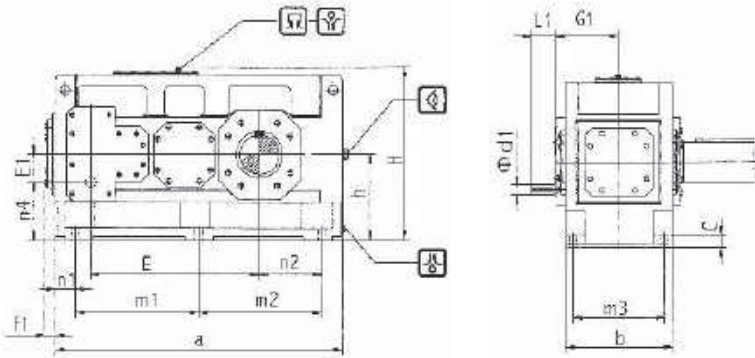
For parallel key dimensions and centre bore, refer to page 93~94. 有關平鍵和中心孔，參見第 93~94 頁



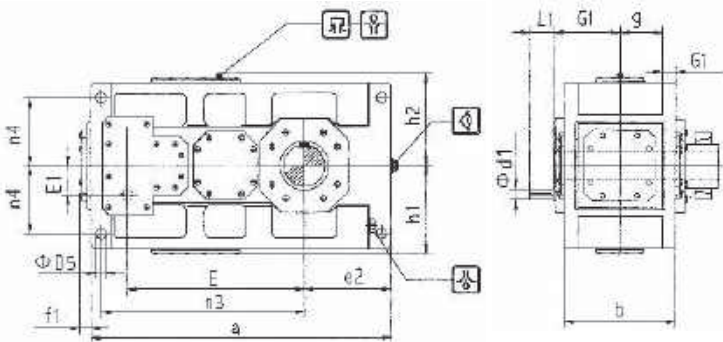
# H4 Frame Size 框號 13~26

## H4 Series Parallel Shaft Gearbox(Horizontal Installation) H4 系列平行軸齒輪箱(臥式安裝)

■ H4SH, H4HH, H4DH, H4KH, H4FH

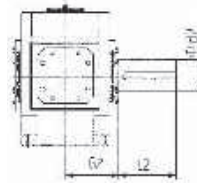


■ H4HM, H4DM, H4KM, H4FM

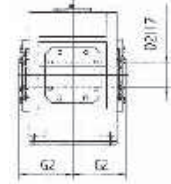


### Output shaft 出力軸

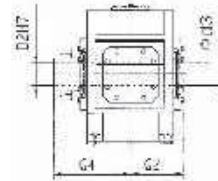
■ H4SH  
Solid shaft  
實心軸



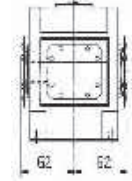
■ H4HH, H4HM  
Hollow shaft  
空心軸



■ H4DH, H4DM  
Hollow shaft for shrink disk  
帶脹緊盤的空心軸

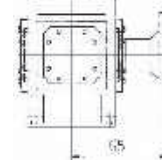


■ H4KH, H4KM  
Hollow shaft with involute spline  
帶花鍵的空心軸



Involute spline refer page 89~90  
花鍵參數見 89~90 頁

■ H4FH  
Flanged shaft  
法蘭軸



Flanged shaft refer page 91~92  
法蘭的接口尺寸見 91~92 頁



Frame Size 框號	Input shaft 入力軸												G1	Gear units 齒輪箱											
	iN=100~180		iN=112~200		iN=125~224		iN=200~355		iN=224~400		iN=250~450			a	b	m1	m2	m3	E	E1	n1	n2	S	C	C1
	d1	L1	d1	L1	d1	L1	d1	L1	d1	L1	d1	L1													
13	50k6	100					38k6	80					305	1395	550	597.5	597.5	475	820	130	100	305	35	60	61±2
14					50k6	100							305	1535	550	597.5	737.5	475	890	130	100	375	35	60	61±2
15	60m6	135					50k6	110					345	1680	625	720	720	535	987	160	120	365	42	70	72±2
16			60m6	135					50k6	110			345	1770	625	720	810	535	1033	160	120	410	42	70	72±2
17	60m6	135					50k6	110					380	1770	690	750	750	600	1035	160	135	390	42	80	81±2
18			60m6	135					50k6	110			380	1890	690	750	870	600	1095	160	135	450	42	80	81±2
19	75m6	140					60m6	140					440	2030	790	860	860	690	1190	185	155	435	48	90	91±2
20			75m6	140					60m6	140			440	2150	790	860	980	690	1250	185	155	495	48	90	91±2
21	90m6	165					70m6	140					460	2340	830	1000	1000	720	1387	225	170	485	56	100	100±2
22			90m6	165					70m6	140			460	2450	830	1000	1110	720	1442	225	170	540	56	100	100±2
23	90m6	165					70m6	140					505	2530	930	1085	1085	810	1505	225	180	550	56	115	120±2
24			90m6	165					70m6	140			505	2660	930	1085	1215	810	1570	225	180	615	56	115	120±2
25	110m6	205					85m6	170					565	2830	1045	1215	1215	910	1695	265	200	590	66	130	120±2
26			100m6	205					85m6	170			565	3010	1045	1215	1395	910	1785	265	200	680	66	130	120±2

Frame Size 框號	Gear units 齒輪箱											Output shaft 出力軸							Lubrication 潤滑油 (L)		Weight 重量 (kg)				
	D5	g	h	h1	h2	h4	n3	n4	e2	f1	H	d2	L2	G2	D2	d3	D4	G4	G5	H4.H	H4.M	H4SH H4HH H4DH H4KH	H4HM H4KM H4DM	H4FH	H4FM
13	48	211.5	440	450	460	310	4940	340	405	47	900	200m6	350	335	190	190	195	480	480	130	120	2390	2270	2550	2430
14	48	211.5	440	450	460	310	1010	340	475	47	900	210m6	350	335	210	210	215	480	480	140	125	2730	2600	2900	2770
15	55	238	500	490	500	340	1135	375	485	56	1000	230m6	410	380	230	230	235	550	550	230	170	3635	3440	3875	3680
16	55	238	500	490	500	340	1180	375	530	56	1000	240m6	410	380	240	240	245	550	550	235	175	2965	3740	4220	3995
17	55	259	550	555	560	390	1175	425	525	53	1110	250m6	410	415	250	250	260	600	600	290	225	4680	4445	4980	4745
18	55	259	550	555	560	390	1235	425	585	53	1110	270n6	470	415	275	280	285	600	600	305	230	5185	4915	5535	5265
19	65	299	620	615	620	435	1365	475	590	53	1240	290n6	470	465	-	285	295	670	670	430	310	6800	6300		
20	65	299	620	615	620	435	1425	475	650	53	1240	300n6	500	465	-	310	315	670	670	380	330	8200	7700		
21	75	310	700	685	690	475	1600	520	655	62	1390	320n6	500	490	-	330	335	715	710	395	430	9200	8600		
22	75	310	700	685	690	475	1655	520	710	62	1390	340n6	550	490	-	340	345	725	710	420	450	9900	9400		
23	80	342	780	770	790	555	1725	580	730	35	1570	360n6	590	540	-	360	365	785	-	520	500	11600	10700		
24	80	342	780	770	790	555	1790	580	795	35	1570	380n6	590	540	-	380	385	805	-	550	600	13500	12600		
25	90	400	860	860	860	595	1965	660	790	65	1720	400n6	650	605	-	400	405	875	-	735	800	16100	15200		
26	90	400	860	860	860	595	2055	660	880	65	1720	420n6	650	605	-	430	435	900	-	780	850	17600	16500		

iN=Nominal Ratio 公稱減速比

For parallel key dimensions and centre bore, refer to page 93~94. 有關平鍵和中心孔，參見第 93~94 頁

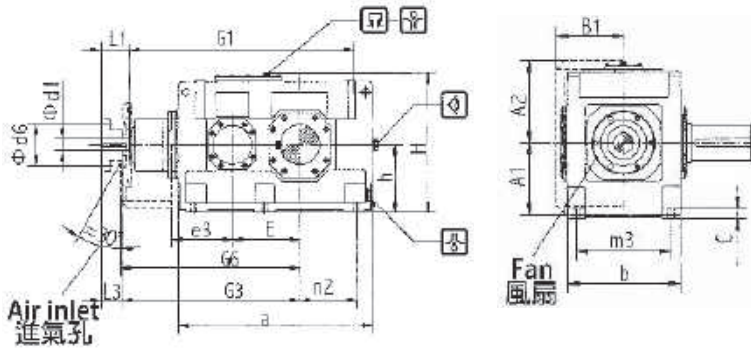
Contact  
Varitron® or  
your sales  
personal  
請聯絡本公司



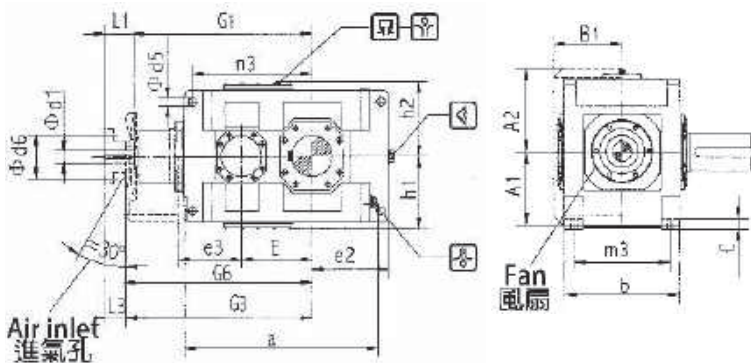
# B2 Frame Size 框號 13~18

## B2 Series Right Angle Shaft Gearbox(Horizontal Installation) B2 系列直交軸齒輪箱(臥式安裝)

■ B2SH, B2HH, B2DH, B2KH, B2FH

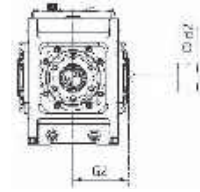


■ B2HM, B2DM, B2KM, B2FM

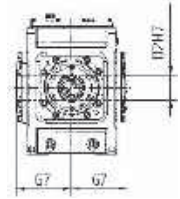


### Output shaft 出力軸

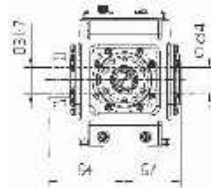
■ B2SH  
Solid shaft  
實心軸



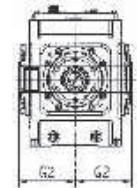
■ B2HH  
Hollow shaft  
空心軸



■ B2DH  
Hollow shaft for shrink disk  
帶脹緊盤的空心軸

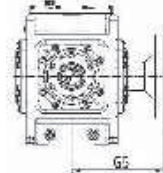


■ B2KH  
Hollow shaft with involute spline  
帶花鍵的空心軸



Involute spline refer page 89~90  
花鍵參數見 89~90 頁

■ B2FH  
Flanged shaft  
法蘭軸



Flanged shaft refer page 91~92  
法蘭的接口尺寸見 91~92 頁



Frame Size 框號	Input shaft 入力軸															Gear units 齒輪箱														
	iN=5~11.2			iN=5.6~11.2			iN=5.6~12.5			iN=6.3~14			iN=7.1~12.5			G1	G3	a	b	m1	m2	m3	C	C1	D5	g	E			
	d1	L1	L3	d1	L1	L3	d1	L1	L3	d1	L1	L3	d1	L1	L3													d1	L1	L3
13	110m6	205	165										110m6	205	165				1070	1110	1130	655	465	465	580	60	61±2	48	264	370
14													110m6	205	165				1140	1180	1270	655	465	605	580	60	61±2	48	264	440
15	130m6	245	200																1277	1322	1350	765	555	555	670	70	72±2	55	308	442
16													130m6	245	200				1323	1368	1440	765	555	645	670	70	72±2	55	308	488
17													150m6	245	200				1435	1480	1490	885	610	610	780	80	81±2	65	356	490
18													150m6	245	200				1495	1540	1610	885	610	730	780	80	81±2	65	356	550

Frame Size 框號	Gear units 齒輪箱										Fan 冷卻風扇					Output shaft 出力軸							Lubrication 潤滑油 (L)		Weight 重量 (kg)						
	h2	H	e2	e3	G6	n1	n2	n3	n4	S	A1	A2	B1	d6	d2	L2	G2	D2	D3	d4	G4	G5	G7	B2.H	B2.M	B2SH	B2HM	B2DH	B2KM	B2FH	B2FM
13	460	900	405	380	1130	100	305	675	340	35	430	450	375	245	200m6	350	390	-	-	-	-	525	-	140	120	2450	2350	2620	2520		
14	460	900	475	380	1200	100	375	745	340	35	430	450	375	245	210m6	350	390	210	210	215	535	525	390	155	130	2825	2725	3005	2905		
15	500	1000	485	450	1340	120	365	805	375	42	490	495	435	280	230m6	410	460	-	-	-	-	625	-	220	180	3990	3795	4245	4050		
16	500	1000	530	450	1385	120	410	850	375	42	490	495	435	280	240m6	410	460	240	240	245	620	625	450	230	190	4345	4160	4615	4430		
17	560	1110	525	510	1500	135	390	895	420	48	540	555	505	380	250m6	410	540	-	-	-	-	695	-	320	260	5620	5320	5940	5640		
18	560	1110	585	510	1560	135	450	955	420	48	540	555	505	380	270m6	470	540	275	280	285	700	695	510	335	275	6150	5860	6520	6230		

iN=Nominal Ratio 公稱減速比

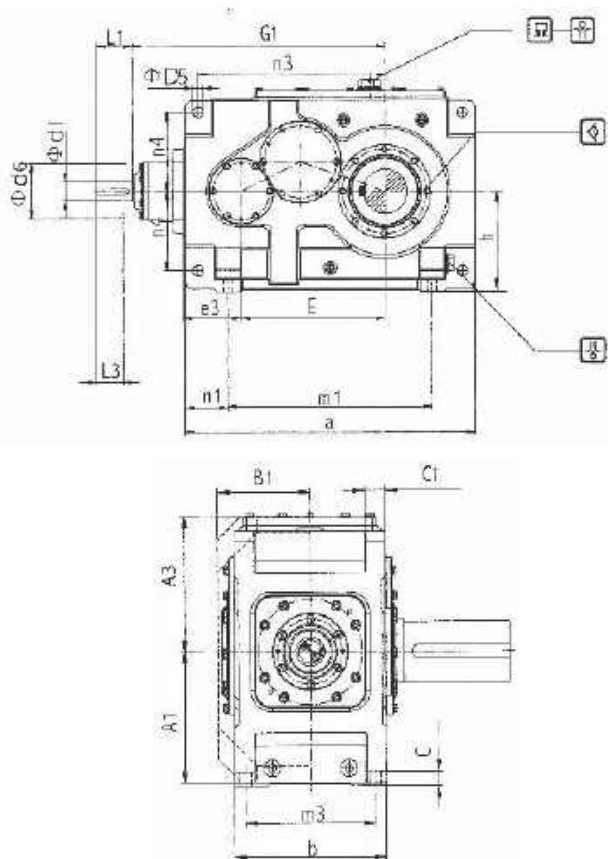
For parallel key dimensions and centre bore, refer to page 93~94. 有關平鍵和中心孔，參見第 93~94 頁



# B3 Frame Size 框號 4~12

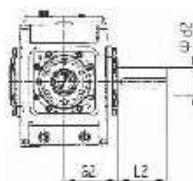
## B3 Series Right Angle Shaft Gearbox(Horizontal Installation) B3 系列直交軸齒輪箱(臥式安裝)

■ B3SH, B3HH, B3DH, B3KH, B3FH

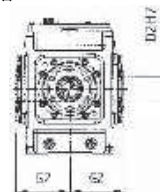


### Output shaft 出力軸

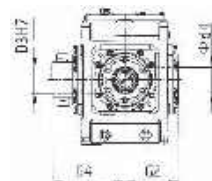
■ B3SH  
Solid shaft  
實心軸



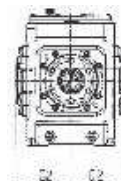
■ B3HH  
Hollow shaft  
空心軸



■ B3DH  
Hollow shaft for shrink disk  
帶脹緊盤的空心軸

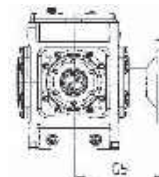


■ B3KH  
Hollow shaft with involute spline  
帶花鍵的空心軸



Involute spline refer page 89~90  
花鍵參數見 89~90 頁

■ B3FH  
Flanged shaft  
法蘭軸



Flanged shaft refer page 91~92  
法蘭的接口尺寸見 91~92 頁

CAD 尺寸



gear.fyi/bg

Frame Size 框號	Input shaft 入力軸												Gear units 齒輪箱											
	iN=12.5~45			iN=16~56			iN=50~71			iN=63~90			G1	G3	a	b	m1	m3	C	C1	D5	g	E	h
	d1	L1	L3	d1	L1	L3	d1	L1	L3	d1	L1	L3												
4	30k6	70	50				25k6	60	40				500	520	565	215	355	180	28	30±1	24	77.5	270	200
5	35k6	80	60				28k6	60	40				575	595	640	255	430	220	28	30±1	24	97.5	315	230
6				35k6	80	60				28k6	60	40	610	630	720	255	510	220	28	30±1	24	97.5	350	230
7	45k6	100	80				35k6	80	60				690	710	785	300	545	260	35	36±1	28	114	385	280
8				45k6	100	80				35k6	80	60	735	755	890	300	650	260	35	36±1	28	114	430	280
9	55k6	110	80				40k6	100	70				800	830	925	370	635	320	40	45±1.5	36	140	450	320
10				55k6	110	80				40k6	100	70	850	880	1025	370	735	320	40	45±1.5	36	140	500	320
11	70k6	135	105				50k6	110	80				960	990	1105	430	775	370	50	54±1.5	40	161	545	380
12				70k6	135	105				50k6	110	80	1030	1060	1260	430	930	370	50	54±1.5	40	161	615	380

Frame Size 框號	Gear units 齒輪箱								Fan 冷卻風扇				Output shaft 出力軸							Lubrication 潤滑油 (L)	Weight 重量 (kg)				
	H	e3	G6	n1	n2	n3	n4	S	A1	A2	B1	d6	d2	L2	G2	D2	D3	d4	G4		G5	B3SH	B3HH	B3DH	B3KH
4	415	110	530	105	85	345	150	19	195	200	143	110	80m6	170	140	80	85	85	205	-	9	210	-	-	-
5	482	130	605	105	100	405	180	19	220	235	168	130	100m6	210	165	95	100	100	240	255	15	325	360	-	-
6	482	130	640	105	145	440	180	19	220	235	168	130	110m6	210	165	105	110	110	240	255	16	380	420	-	-
7	582	160	720	120	130	500	215	24	275	275	193	165	120m6	210	195	115	120	120	280	300	27	550	600	-	-
8	582	160	765	120	190	545	215	24	275	275	193	165	130m6	250	195	125	130	130	285	300	30	635	690	-	-
9	662	185	845	145	155	585	245	28	315	325	231	175	140m6	250	235	135	140	145	330	350	42	890	975	-	-
10	662	185	895	145	205	635	245	28	315	325	231	175	160m6	300	235	150	150	155	350	350	45	1020	1110	-	-
11	782	225	1010	165	180	710	300	35	370	385	263	190	170m6	300	270	165	165	170	400	400	71	1455	1585	-	-
12	790	225	1080	165	265	780	300	35	370	385	263	190	180m6	300	270	180	180	185	405	400	76	1730	1870	-	-

iN=Nominal Ratio 公稱減速比

For parallel key dimensions and centre bore, refer to page 93~94. 有關平鍵和中心孔，參見第 93~94 頁

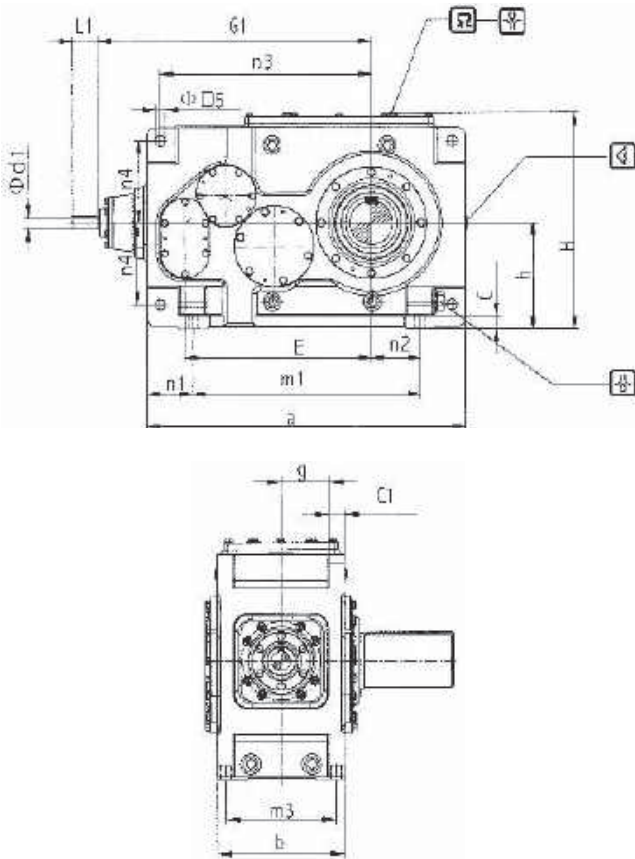




# B4 Frame Size 框號 5~12

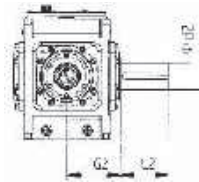
## B4 Series Right Angle Shaft Gearbox(Horizontal Installation) B4 系列直交軸齒輪箱(臥式安裝)

■ B4SH, B4HH, B4DH, B4KH, B4FH

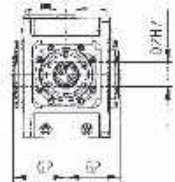


### Output shaft 出力軸

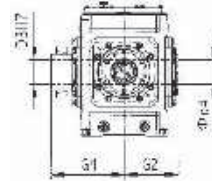
■ B4SH  
Solid shaft  
實心軸



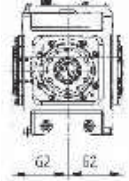
■ B4HH  
Hollow shaft  
空心軸



■ B4DH  
Hollow shaft for shrink disk  
帶脹緊盤的空心軸

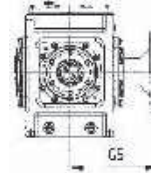


■ B4KH  
Hollow shaft with involute spline  
帶花鍵的空心軸



Involute spline refer page 89~90  
花鍵參數見 89~90 頁

■ B4FH  
Flanged shaft  
法蘭軸



Flanged shaft refer page 91~92  
法蘭的接口尺寸見 91~92 頁



Frame Size 框號	Input shaft 入力軸									Gear units 齒輪箱								
	iN=80~180		iN=100~224		iN=200~315		iN=250~400		G1	a	b	m1	m3	C	C1	D5	g	E
	d1	L1	d1	L1	d1	L1	d1	L1										
5	28k6	55			20k6	50			615	690	255	480	220	28	30±1	24	97.5	405
6			28k6	55			20k6	50	650	770	255	560	220	28	30±1	24	97.5	440
7	30k6	70			25k6	60			725	845	300	605	260	35	36±1	28	114	495
8			30k6	70			25k6	60	770	950	300	710	260	35	36±1	28	114	540
9	35k6	80			28k6	60			840	1000	370	710	320	40	45±1.5	36	140	580
10			35k6	80			28k6	60	890	1100	370	810	320	40	45±1.5	36	140	630
11	45k6	100			50k6	60			1010	1200	430	870	370	50	54±1.5	40	161	705
12			45k6	100			35k6	80	1080	1355	430	1025	370	50	54±1.5	40	161	775

Frame Size 框號	Gear units 齒輪箱								Output shaft 出力軸							Lubrication 潤滑油 (L)	Weight 重量 (kg)	
	h	H	n1	n2	n3	n4	S	d2	L2	G2	D2	D3	d4	G4	G5		B4SH B4HH B4DH B4KH	B4FH
5	230	482	105	100	455	180	19	100m6	210	165	95	100	100	240	255	16	335	370
6	230	482	105	145	490	180	19	110m6	210	165	105	110	110	240	255	18	385	425
7	280	572	120	130	560	215	24	120m6	210	195	115	120	120	280	300	30	555	605
8	280	582	120	190	605	215	24	130m6	250	195	125	130	130	285	300	33	655	710
9	320	662	145	155	660	245	28	140m6	250	235	135	140	145	330	350	48	890	975
10	320	662	145	205	710	245	28	160m6	300	235	150	150	155	350	350	50	1025	1115
11	380	782	165	180	805	300	35	170m6	300	270	165	165	170	400	400	80	1485	1615
12	380	790	165	265	875	300	35	180m6	300	270	180	180	185	405	400	90	1750	1890

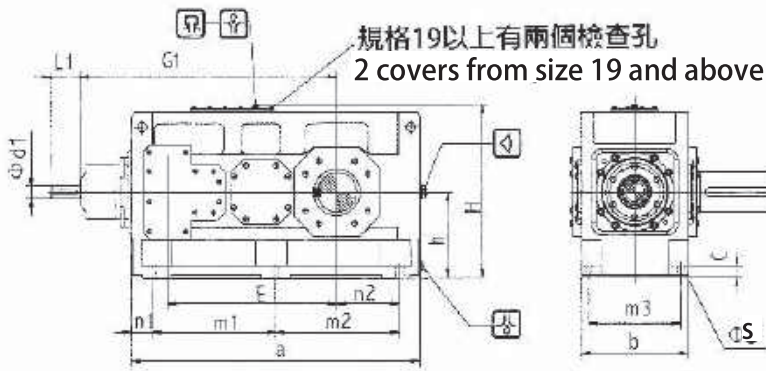
iN=Nominal Ratio 公稱減速比

For parallel key dimensions and centre bore, refer to page 93~94. 有關平鍵和中心孔，參見第 93~94 頁

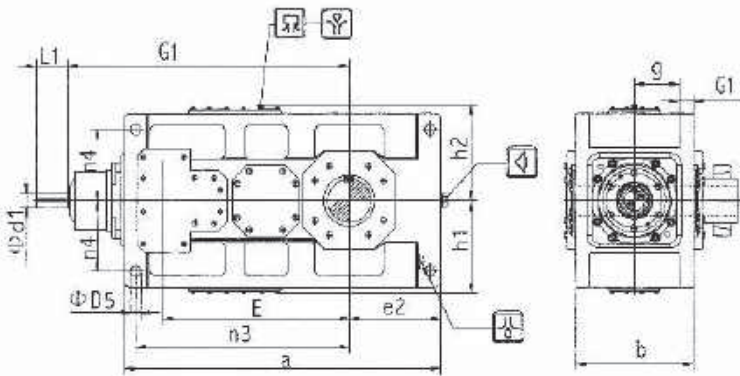
# B4 Frame Size 框號 13~26

## B4 Series Right Angle Shaft Gearbox(Horizontal Installation) B4 系列直交軸齒輪箱(臥式安裝)

■ B4SH, B4HH, B4DH, B4KH, B4FH

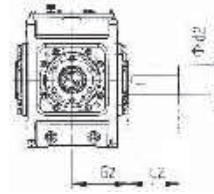


■ B4HM, B4DM, B4KM, B4FM

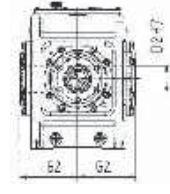


### Output shaft 出力軸

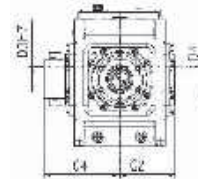
■ B4SH  
Solid shaft  
實心軸



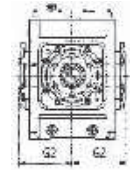
■ B4HH, B4HM  
Hollow shaft  
空心軸



■ B4DH, B4DM  
Hollow shaft for shrink disk  
帶脹緊盤的空心軸

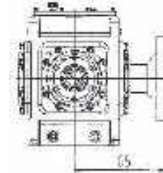


■ B4KH, B4KM  
Hollow shaft with involute spline  
帶花鍵的空心軸



Involute spline refer page 89~90  
花鍵參數見 89~90 頁

■ B4FH  
Flanged shaft  
法蘭軸



Flanged shaft refer page 91~92  
法蘭的接口尺寸見 91~92 頁



Frame Size 框號	Input shaft 入力軸												Gear units 齒輪箱											
	iN=80~180		iN=90~200		iN=100~224		iN=200~315		iN=224~400		iN=250~450		G1	a	b	m1	m2	m3	C	C1	D5	g	S	
13	55k6	110						40k6	100					1170	1395	550	597.5	597.5	475	60	61±2	48	211.5	13
14					55k6	110						40k6	100	1240	1535	550	597.5	737.5	475	60	61±2	48	211.5	14
15	70m6	135						50k6	110					1402	1680	625	720	720	535	70	72±2	55	238	15
16			70m6	135						50k6	110			1448	1770	625	720	810	535	70	72±2	55	238	16
17	70m6	135						50k6	110					1450	1770	690	750	750	600	80	81±2	55	259	17
18			70m6	135						50k6	110			1510	1890	690	750	870	600	80	81±2	55	259	18
19	80m6	165						60m6	140					1680	2030	790	860	860	690	90	91±2	65	299	19
20			80m6	165						60m6	140			1740	2150	790	860	980	690	90	91±2	65	299	20
21	90m6	165						70m6	140					1992	2340	830	1000	1000	720	100	100±2	75	310	21
22			90m6	165						70m6	140			2047	2450	830	1000	1110	720	100	100±2	75	310	22
23	90m6	165						70m6	140					2110	2530	930	1085	1085	810	115	120±2	80	342	23
24			90m6	165						70m6	140			2175	2660	930	1085	1215	810	115	120±2	80	342	24
25	110m6	205						80m6	170					2395	2830	1045	1215	1215	910	130	120±2	90	400	25
26			110m6	205						80m6	170			2485	3010	1045	1215	1395	910	130	120±2	90	400	26

Frame Size 框號	Gear units 齒輪箱									Output shaft 出力軸								Lubrication 潤滑油 (L)		Weight 重量 (kg)			
	E	h	H	e2	n1	n2	n3	n4	S	d2	L2	G2	D2	D3	D4	G4	G5	B3.H	B3.M	B4SH B4HH B4DH B4KH	H4HM H4KM H4DM	B4FH	B4FM
13	820	440	900	405	100	305	940	340	35	200m6	350	335	190	190	195	480	480	145	120	2395	2280	2555	2440
14	890	440	900	475	100	375	1010	340	35	210m6	350	335	210	210	215	480	480	150	125	2735	2605	2905	2775
15	987	500	1000	785	120	365	1135	375	42	230m6	410	380	230	230	235	550	550	230	170	3630	3435	3870	3675
16	1033	500	1000	530	120	410	1180	375	42	240m6	410	380	240	240	245	550	550	235	175	3985	3765	4240	4020
17	1035	550	1110	525	135	390	1175	425	42	250m6	410	415	250	250	260	600	600	295	230	4695	4460	4995	4760
18	1095	550	1110	585	135	450	1235	425	42	270m6	470	415	275	280	285	600	600	305	235	5200	4930	55550	5280
19	1190	620	1240	590	155	435	1365	475	48	290m6	470	465	-	285	295	670	670	480	440	6800	6300		
20	1250	620	1240	650	155	495	1425	475	48	300m6	500	465	-	310	315	670	670	550	51	8200	7700		
21	1387	700	1390	655	170	485	1600	520	56	320m6	500	490	-	330	335	715	710	540	590	9200	8600		
22	1442	700	1390	710	170	540	1655	520	56	340m6	550	490	-	340	345	725	710	620	680	9900	9400		
23	1505	780	1570	730	180	550	1725	580	56	360m6	590	540	-	360	360	785	-	710	790	11600	10700		
24	1570	780	1570	795	180	615	1790	580	56	380m6	590	540	-	380	380	805	-	810	910	13500	12600		
25	1695	860	1720	790	200	590	1965	660	66	400m6	650	605	-	400	405	875	-	1000	1110	16100	15200		
26	1785	860	1720	880	200	680	2055	660	66	420m6	650	605	-	430	430	900	-	1100	120	17600	16500		

Contact  
Varitron® or  
your sales  
personal  
請聯絡本公司

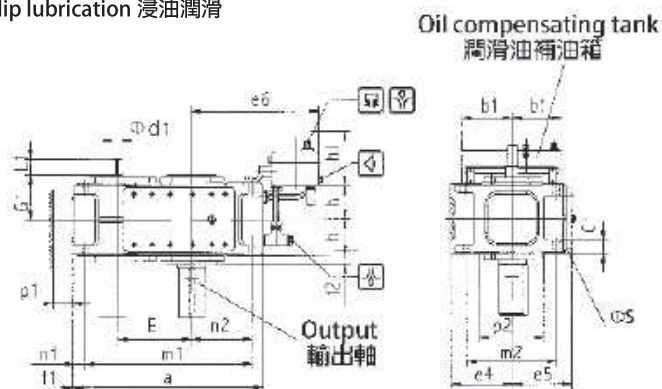
iN=Nominal Ratio 公稱減速比

For parallel key dimensions and centre bore, refer to page 93~94. 有關平鍵和中心孔，參見第 93~94 頁

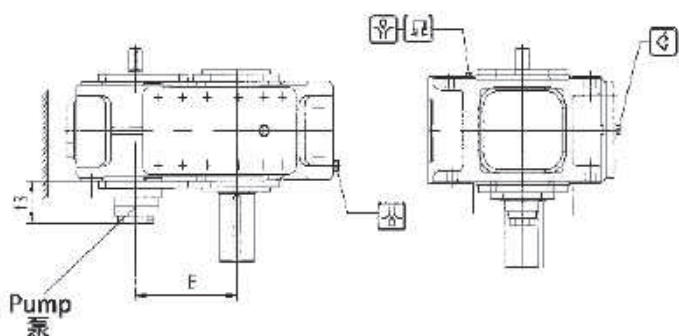
# H2 Frame Size 框號 4~12

## H2 Series Parallel Shaft Gearbox(Vertical Installation) H2 系列平行軸齒輪箱(立式安裝)

**H2SV, H2HV, H2DV, H2KV, H2FV**  
With dip lubrication 浸油潤滑



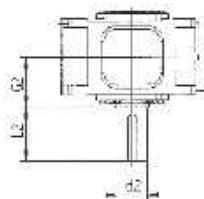
**H2SV, H2HV, H2DV, H2KV, H2FV**  
Forced lubrication by flanged pump 採用法蘭泵的強制潤滑



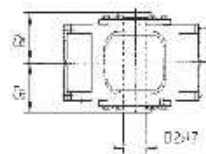
Contact Varitron® or your sales personal 請聯絡本公司

### Output shaft 出力軸

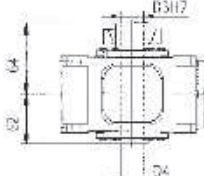
**H2SV**  
Solid shaft  
實心軸



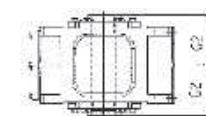
**H2HV**  
Hollow shaft  
空心軸



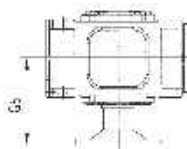
**H2DV**  
Hollow shaft for shrink disk  
帶脹緊盤的空心軸



**H2KV**  
Hollow shaft with involute spline  
帶花鍵的空心軸



**H2FV**  
Flanged shaft  
法蘭軸



Flanged shaft refer page 91~92  
法蘭的接口尺寸見 91~92 頁

Involute spline refer page 89~90  
花鍵參數見 89~90 頁

CAD 尺寸



Frame Size 框號	Input shaft 入力軸						Gear units 齒輪箱													
	iN=6.3~11.2		iN=8~14		iN=12.5~22.4		iN=16~28		G1	Gear units 齒輪箱										
	d1	L1	d1	L1	d1	L1	d1	L1		a	b1	C	e4	f1	h	h1	m2	n1	S	
4	45k6	100			32k6	80			170	565	150	30±1	200	28	108	165	300	30	24	
5	50k6	100			38k6	80			195	640	240	30±1	230	38	108	205	360	30	24	
6			50k6	100			38k6	80	195	720	240	30±1	230	38	128	205	360	30	24	
7	60m6	135			50k6	110			210	785	240	36±1	280	42	150	205	430	35	28	
8			60m6	135			50k6	110	210	890	240	36±1	280	42	150	205	430	35	28	
9	75m6	140			60m6	140			240	925	330	45±1.5	320	42	185	275	490	40	36	
10			75m6	140			60m6	140	240	1025	330	45±1.5	320	42	185	275	490	40	36	
11	90m6	165			70m6	140			275	1105	330	54±1.5	380	48	215	275	600	50	40	
12			90m6	165			70m6	140	275	1260	330	54±1.5	380	48	215	275	600	50	40	

Frame Size 框號	Gear units 齒輪箱								Output shaft 出力軸								Lubrication 潤滑油 (L)		Weight 重量 (kg)	
	e5	e6	E	f2	m1	n2	p1	p2	d2	L2	G2	D2	D3	D4	G4	G5	Dip lubrication 浸油潤滑	Forced lubrication 強制潤滑	H2SV H2HV H2DV H2KV	H2FV
4	215	320	270	22	505	160	35	220	80m6	170	140	80	85	85	205	-	23	-	190	-
5	252	385	315	28	580	175	35	270	100m6	210	165	95	100	100	240	255	35	18	300	335
6	252	425	350	28	660	220	35	270	110m6	210	165	105	110	110	240	255	37	19	355	395
7	292	425	385	30	715	215	35	330	120m6	210	195	115	120	120	280	300	62	31	505	555
8	302	485	430	32	820	275	35	330	130m6	250	195	125	130	130	285	300	69	35	590	645
9	342	560	450	32	845	260	40	370	140m6	250	235	135	140	140	330	350	98	49	830	915
10	342	610	500	32	945	310	40	370	160m6	300	235	150	150	150	350	350	110	55	960	1050
11	402	595	545	35	1005	295	50	440	170m6	300	270	165	165	165	400	400	160	80	1335	1465
12	410	680	615	35	1160	380	50	440	180m6	300	270	180	180	180	405	400	180	90	1615	1755

iN=Nominal Ratio 公稱減速比

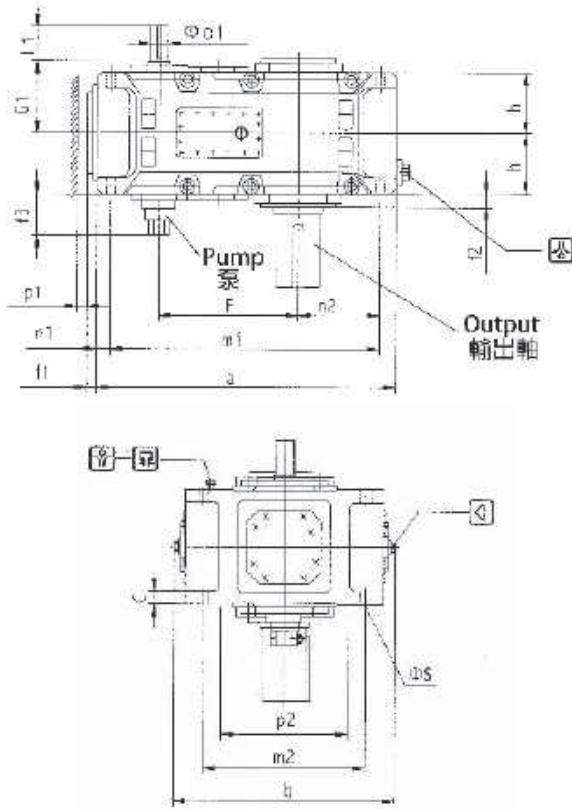
For parallel key dimensions and centre bore, refer to page 93~94. 有關平鍵和中心孔，參見第 93~94 頁



# H2 Frame Size 框號 13~22

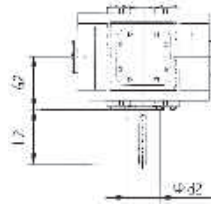
H2 Series Parallel Shaft Gearbox(Vertical Installation) H2 系列平行軸齒輪箱(立式安裝)

■ H2SV, H2HV, H2DV, H2KV, H2FV  
With forced lubrication 強制潤滑

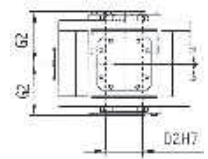


Output shaft 出力軸

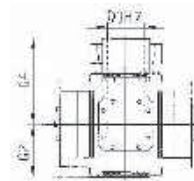
■ H2SV  
Solid shaft  
實心軸



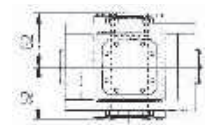
■ H2HV  
Hollow shaft  
空心軸



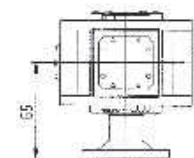
■ H2DV  
Hollow shaft for shrink disk  
帶脹緊盤的空心軸



■ H2KV  
Hollow shaft with involute spline  
帶花鍵的空心軸



■ H2FV  
Flanged shaft  
法蘭軸



Involute spline refer page 89~90  
花鍵參數見 89~90 頁

Flanged shaft refer page 91~92  
法蘭的接口尺寸見 91~92 頁



Frame Size 框號	Input shaft 入力軸												Gear units 齒輪箱						
	iN=6.3~11.2		iN=7.1~12.5		iN=8~14		iN=12.5~20		iN=14~22.4		iN=16~25		G1	a	b	E	C	f1	h
	d1	L1	d1	L1	d1	L1	d1	L1	d1	L1	d1	L1							
13	100m6	205					85m6	170					330	1290	900	635	61±2	53	272.5
14					100m6	205							330	1430	900	705	61±2	53	272.5
15	120m6	210					100m6	210			85m6	170	365	1550	980	762	72±2	63	310
16			120m6	210					100m6	210			365	1640	980	808	72±2	63	310
17	125m6	245					110m6	210					420	1740	1110	860	81±2	60	340
18			125m6	245					110m6	210			420	1860	1110	920	81±2	60	340
19~22	Contact Varitron® or your sales personal 請聯絡本公司																		

Frame Size 框號	Gear units 齒輪箱								Output shaft 出力軸								Lubrication 潤滑油 (L)	重量 Weight (kg)	
	m2	n1	S	f2	m1	n2	p1	p2	d2	L2	G2	D2	D3	D4	G4	G5		H2SV H2HV H2DV H2KV	H2FV
13	680	50	48	35	1195	360	50	500	200m6	350	335	190	190	195	480	480	120	1880	2040
14	680	50	48	35	1335	430	50	500	210m6	350	335	210	210	215	480	480	135	2430	22600
15	750	60	55	42	1435	430	50	570	230m6	410	380	230	230	235	550	550	185	3240	3480
16	750	60	55	42	1525	475	50	570	240m6	410	380	240	240	245	550	550	200	3465	3720
17	850	70	55	42	1610	465	70	630	250m6	410	415	250	250	260	600	600	265	4420	4720
18	850	70	55	42	1730	525	70	630	270n6	470	415	275	280	285	600	600	285	4870	5220
19~22	Contact Varitron® or your sales personal 請聯絡本公司																		

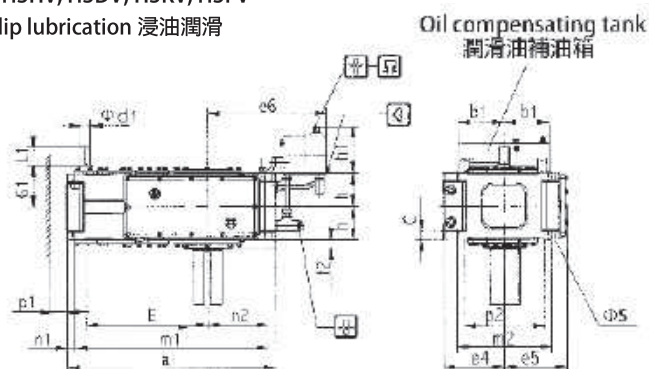
iN=Nominal Ratio 公稱減速比

For parallel key dimensions and centre bore, refer to page 93~94. 有關平鍵和中心孔，參見第 93~94 頁

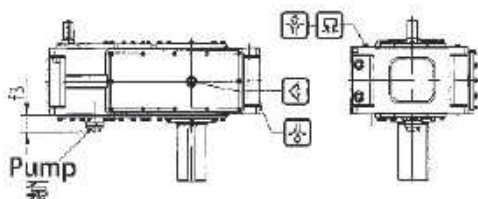
# H3 Frame Size 框號 5~12

## H3 Series Parallel Shaft Gearbox(Vertical Installation) H3 系列平行軸齒輪箱(立式安裝)

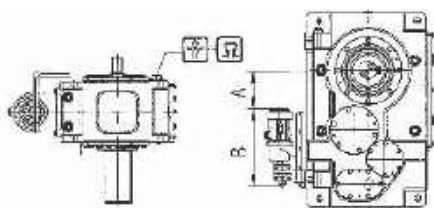
■ H3SV, H3HV, H3DV, H3KV, H3FV  
With dip lubrication 浸油潤滑



■ Forced lubrication by flanged pump 採用法蘭泵的強制潤滑

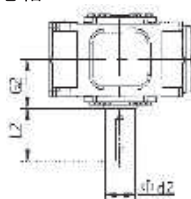


■ Forced lubrication by motor pump 採用電動泵強制潤滑

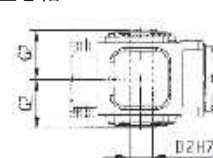


### Output shaft 出力軸

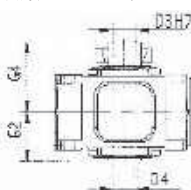
■ H3SV  
Solid shaft  
實心軸



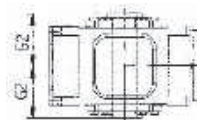
■ H3HV  
Hollow shaft  
空心軸



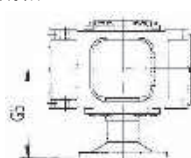
■ H3DV  
Hollow shaft for shrink disk  
帶脹緊盤的空心軸



■ H3KV  
Hollow shaft with involute spline  
帶花鍵的空心軸



■ H3FV  
Flanged shaft  
法蘭軸



Involute spline refer page 89~90  
花鍵參數見 89~90 頁

Flanged shaft refer page 91~92  
法蘭的接口尺寸見 91~92 頁

CAD 尺寸



Frame Size 框號	Input shaft 入力軸											Gear units 齒輪箱							
	iN=25~45		iN=31.5~56		iN=50~63		iN=63~80		iN=71~90		iN=90~112		G1	a	b1	C	e4	h	h1
d1	L1	d1	L1	d1	L1	d1	L1	d1	L1	d1	L1								
5	40k6	70		70		30k6	50			24k6	40		160	690	240	30±1	230	127.5	205
6			40k6				30k6	50			24k6	40	160	770	240	30±1	230	127.5	205
7	45k6	80		80		35k6	60			28k6	50		185	845	240	36±1	280	150	205
8			45k6				35k6	60			28k6	50	185	950	240	36±1	280	150	205
9	60m6	125		125		45k6	100			32k6	80		230	1000	330	45±1	320	185	275
10			60m6				45k6	100			32k6	80	230	1100	330	45±1.5	320	185	275
11	70m6	120		120		50k6	80			42k6	70		255	1200	330	54±1.5	380	215	275
12			70m6				50k6	80			42k6	70	255	1355	330	54±1.5	380	215	275

Frame Size 框號	Gear units 齒輪箱												Output shaft 出力軸								Lubrication 潤滑油 (L)		Weight 重量 (kg)		
	h2	h3	m2	n1	S	e5	e6	E	f2	m1	n2	p1	p2	d2	L2	G2	D2	D3	D4	G4	G5	Dip lubrication 浸油潤滑	Forced lubrication 強制潤滑	H3SV H3HV H3DV H3KV	H3FV
5	190	240	360	30	24	252	385	405	28	630	175	35	270	100m6	210	165	95	100	100	240	255	36	25	320	355
6	190	240	360	30	24	252	425	440	28	710	220	35	270	110m6	210	165	105	110	110	240	255	40	27	365	405
7	165	250	430	35	28	292	425	495	30	775	215	35	330	120m6	210	195	115	120	120	280	300	64	42	540	590
8	165	250	430	35	28	302	485	540	32	880	275	35	330	130m6	250	195	125	130	130	285	300	70	47	625	680
9	205	330	490	40	36	342	560	580	32	920	260	40	370	140m6	250	235	135	140	145	330	350	110	73	875	960
10	205	330	490	40	36	342	610	630	32	1020	310	40	370	160m6	300	235	150	150	155	350	350	120	80	1020	1110
11	240	340	600	50	40	402	595	705	35	1100	295	50	440	170m6	300	270	165	165	170	400	400	190	110	1400	1530
12	240	340	600	50	40	410	680	775	35	1255	380	50	440	180m6	300	270	180	180	185	405	400	205	120	1675	1815

iN=Nominal Ratio 公稱減速比

For parallel key dimensions and centre bore, refer to page 93~94. 有關平鍵和中心孔，參見第 93~94 頁

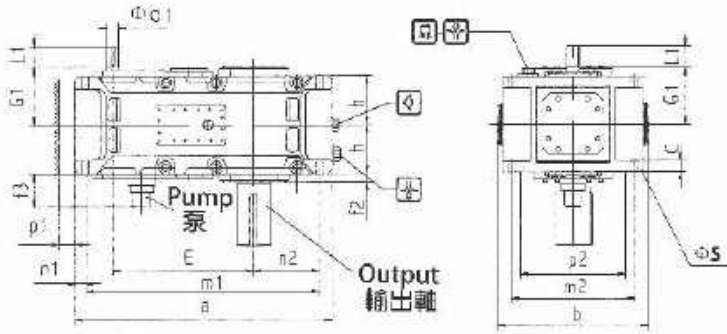


# H3 Frame Size 框號 13~22

H3 Series Parallel Shaft Gearbox(Vertical Installation) H3 系列平行軸齒輪箱(立式安裝)

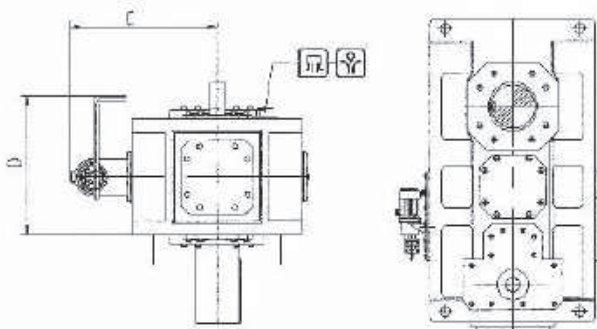
**H3SV, H3HV, H3DV, H3KV, H3FV**

Forced lubrication by flanged pump 採用法蘭泵的強制潤滑



**H3SV, H3HV, H3DV, H3KV, H3FV**

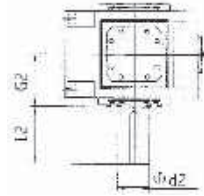
Forced lubrication by motor pump 採用電動泵強制潤滑



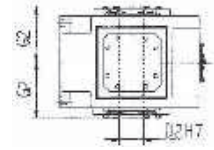
Contact Varitron® or your sales personal 請聯絡本公司

**Output shaft 出力軸**

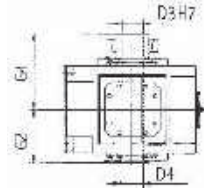
**H3SV**  
Solid shaft  
實心軸



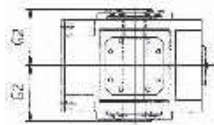
**H3HV**  
Hollow shaft  
空心軸



**H3DV**  
Hollow shaft for shrink disk  
帶脹緊盤的空心軸

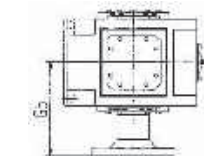


**H3KV**  
Hollow shaft with involute spline  
帶花鍵的空心軸



Involute spline refer page 89~90  
花鍵參數見 89~90 頁

**H3FV**  
Flanged shaft  
法蘭軸



Flanged shaft refer page 91~92  
法蘭的接口尺寸見 91~92 頁



Frame Size 框號	Input shaft 入力軸												Gear units 齒輪箱						
	iN=22.4~45		iN=25~50		iN=50~63		iN=56~71		iN=71~90		iN=80~100		G1	a	b	E	C	h	m2
	d1	L1	d1	L1	d1	L1	d1	L1	d1	L1	d1	L1							
13	85m6	160			60m6	135			50k6	110			310	1395	900	820	61±2	272.5	680
14			85m6	160			60m6	135			50k6	110	310	1535	900	890	61±2	272.5	680
15	100m6	200			75m6	140			60m6	140			350	1680	980	987	72±2	310	750
16			100m6	200			75m6	140			60m6	140	350	1770	980	1033	72±2	310	750
17	100m6	200			75m6	140			60m6	140			380	1770	1110	1035	81±2	340	850
18			100m6	200			75m6	140			60m6	140	380	1890	1110	1095	81±2	340	850
19~22	Contact Varitron® or your sales personal 請聯絡本公司																		

Frame Size 框號	Gear units 齒輪箱							Output shaft 出力軸								Lubrication 潤滑油 (L)	Weight 重量 (kg)	
	n1	S	f2	m1	n2	p1	p2	d2	L2	G2	D2	D3	D4	G4	G5		H3SV H3HV H3DV H3KV	H3FV
13	50	48	35	1300	360	50	500	200m6	350	335	190	190	195	480	480	160	2155	2315
14	50	48	35	1440	430	50	500	210m6	350	335	210	210	215	480	480	180	2490	2660
15	60	55	42	1565	430	50	570	230m6	410	380	230	230	235	550	550	255	3260	3500
16	60	55	42	1655	475	50	570	240m6	410	380	240	240	245	550	550	260	3625	3880
17	70	55	42	1640	465	70	630	250m6	410	415	250	250	260	600	600	325	4250	4550
18	70	55	42	1760	525	70	630	270m6	470	415	275	280	285	600	600	335	4740	5090
19~22	Contact Varitron® or your sales personal 請聯絡本公司																	

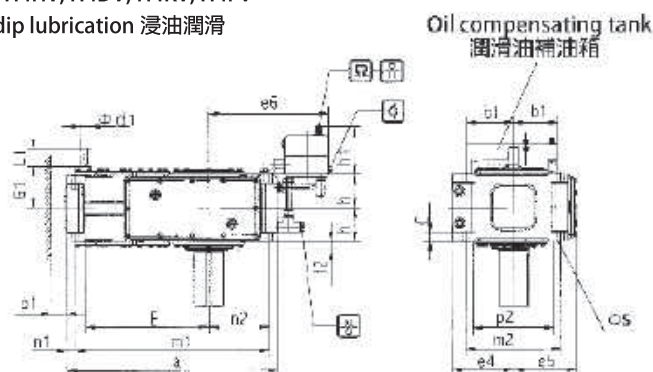
iN=Nominal Ratio 公稱減速比

For parallel key dimensions and centre bore, refer to page 93~94. 有關平鍵和中心孔，參見第 93~94 頁

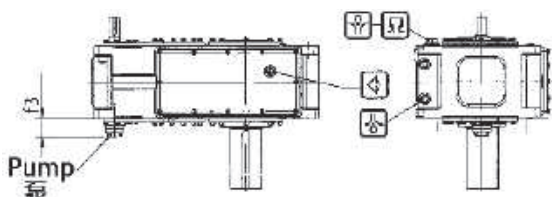
# H4 Frame Size 框號 7~12

## H4 Series Parallel Shaft Gearbox(Vertical Installation) H4 系列平行軸齒輪箱(立式安裝)

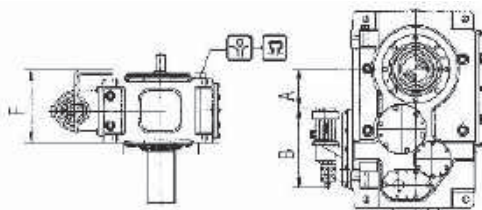
■ H4SV, H4HV, H4DV, H4KV, H4FV  
With dip lubrication 浸油潤滑



■ Forced lubrication by flanged pump 採用法蘭泵的強制潤滑

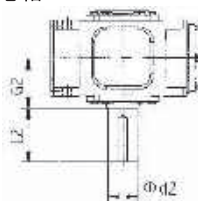


■ Forced lubrication by motor pump 採用電動泵強制潤滑

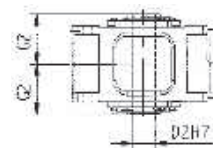


### Output shaft 出力軸

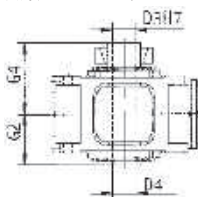
■ H4SV  
Solid shaft  
實心軸



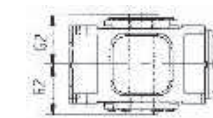
■ H4HV  
Hollow shaft  
空心軸



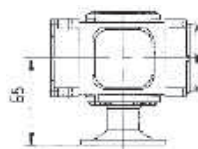
■ H4DV  
Hollow shaft for shrink disk  
帶脹緊盤的空心軸



■ H4KV  
Hollow shaft with involute spline  
帶花鍵的空心軸



■ H4FV  
Flanged shaft  
法蘭軸



Involute spline refer page 89~90  
花鍵參數見 89~90 頁

Flanged shaft refer page 91~92  
法蘭的接口尺寸見 91~92 頁



Frame Size 框號	Input shaft 入力軸									Gear units 齒輪箱										
	iN=100~180		iN=125~224		iN=200~355		iN=250~450		G1	a	b1	C	e4	f1	h	h1	h2	h3	m2	n1
	d1	L1	d1	L1	d1	L1	d1	L1												
7	30k6	50			24k6	40			180	845	240	36±1	280	37	150	205	165	250	430	35
8			30k6	50			24k6	40	180	950	240	36±1	280	37	150	205	165	250	430	35
9	35k6	60			28k6	50			215	1000	330	45±1	320	43	185	275	205	330	490	40
10			35k6	60			28k6	50	215	1100	330	45±1.5	320	43	185	275	205	330	490	40
11	45k6	100			32k6	80			250	1200	330	54±1.5	380	47	215	275	240	340	600	50
12			45k6	100			32k6	80	250	1355	330	54±1.5	380	47	215	275	240	340	600	50

Frame Size 框號	Gear units 齒輪箱									Output shaft 出力軸							Lubrication 潤滑油 (L)		Weight 重量(kg)		
	S	e5	e6	E	f2	m1	n2	p1	p2	d2	L2	G2	D2	D3	D4	G4	G5	Dip lubrication 浸油潤滑	Forced lubrication 強制潤滑	H4SV H4HV H4DV H4KV	H4FV
7	28	292	425	495	30	775	215	35	330	120m6	210	195	115	120	120	280	300	60	44	550	600
8	28	302	485	540	32	880	275	35	330	130m6	250	195	125	130	130	285	300	65	48	645	700
9	36	342	560	580	32	920	260	40	370	140m6	250	235	135	140	145	330	350	105	78	875	960
10	36	342	610	630	32	1020	310	40	370	160m6	300	235	150	150	155	350	350	110	81	1010	1100
11	40	402	595	705	35	1100	295	50	440	170m6	300	270	165	165	170	400	400	175	113	1460	1590
12	40	410	680	775	35	1255	380	50	440	180m6	300	270	180	180	185	405	400	200	129	1725	1865

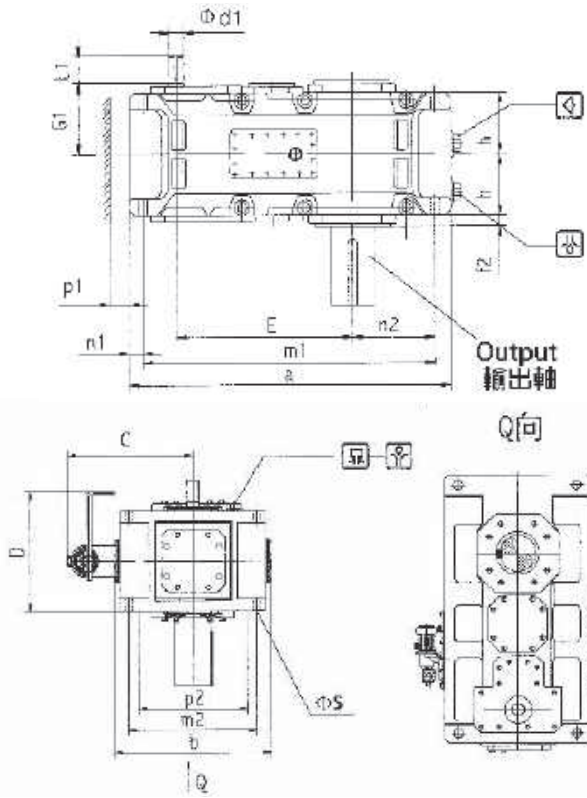
iN=Nominal Ratio 公稱減速比

For parallel key dimensions and centre bore, refer to page 93~94. 有關平鍵和中心孔，參見第 93~94 頁

# H4 Frame Size 框號 13~22

H4 Series Parallel Shaft Gearbox(Vertical Installation) H4 系列平行軸齒輪箱(立式安裝)

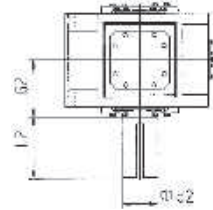
■ H4SV, H4HV, H4DV, H4KV, H4FV  
Forced lubrication by motor pump 採用電動泵強制潤滑



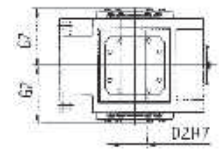
Contact Varitron® or your sales personal 請聯絡本公司

Output shaft 出力軸

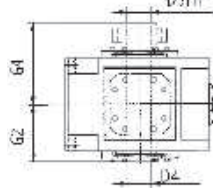
■ H4SV  
Solid shaft  
實心軸



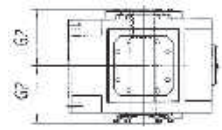
■ H4HV  
Hollow shaft  
空心軸



■ H4DV  
Hollow shaft for shrink disk  
帶脹緊盤的空心軸

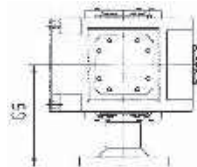


■ H4KV  
Hollow shaft with involute spline  
帶花鍵的空心軸



Involute spline refer page 89~90  
花鍵參數見 89~90 頁

■ H4FV  
Flanged shaft  
法蘭軸



Flanged shaft refer page 91~92  
法蘭的接口尺寸見 91~92 頁



Frame Size 框號	Input shaft 入力軸												Gear units 齒輪箱						
	iN=100~180		iN=112~200		iN=125~224		iN=200~355		iN=224~400		iN=250~450		G1	a	b	E	E1	C	h
	d1	L1	d1	L1	d1	L1	d1	L1	d1	L1	d1	L1							
13	50k6	100					38k6	80					305	1395	900	820	130	61±2	272.5
14					50k6	100							305	1535	900	890	130	61±2	272.5
15	60m6	135					50k6	110					345	1680	980	987	160	72±2	310
16			60m6	135					50k6	110			345	1770	980	1033	160	72±2	310
17	60m6	105					50k6	80					380	1770	1110	1035	160	81±2	340
18			60m6	105					50k6	80			380	1890	1110	1095	160	81±2	340
19~22	Contact Varitron® or your sales personal 請聯絡本公司																		

Frame Size 框號	Gear units 齒輪箱									Output shaft 出力軸								Lubrication 潤滑油 (L)	Weight 重量 (kg)	
	m2	n1	S	f1	f2	m1	n2	p1	p2	d2	L2	G2	D2	D3	D4	G4	G5		H4SV H4HV H4DV H4KV	H4FV
13	680	50	48	47	35	1300	360	50	500	200m6	350	335	190	190	195	480	480	140	2270	2430
14	680	50	48	47	35	1440	430	50	500	210m6	350	335	210	210	215	480	480	160	2600	2770
15	750	60	55	56	42	1565	430	60	570	230m6	410	380	230	230	235	550	550	220	3440	3680
16	750	60	55	56	42	1655	475	60	570	240m6	410	380	240	240	245	550	550	230	3740	3995
17	850	70	55	53	42	1640	465	70	630	250m6	410	415	250	250	260	600	600	280	4445	4745
18	850	70	55	53	42	1760	525	70	630	270n6	470	415	275	280	285	600	600	300	4915	5265
19~22	Contact Varitron® or your sales personal 請聯絡本公司																			

iN=Nominal Ratio 公稱減速比

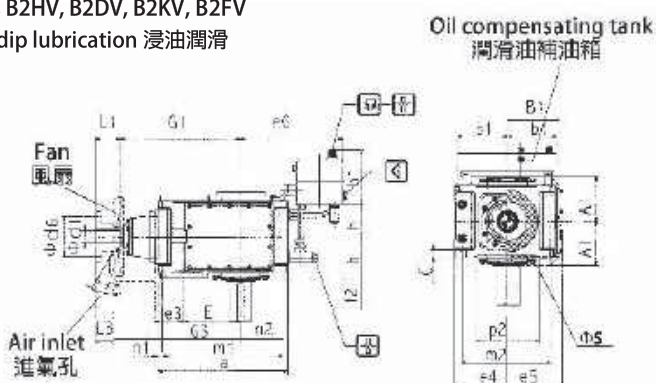
For parallel key dimensions and centre bore, refer to page 93~94. 有關平鍵和中心孔，參見第 93~94 頁



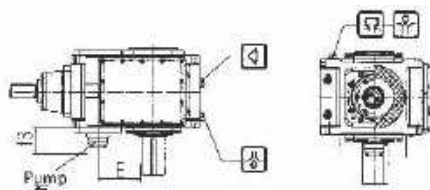
# B2 Frame Size 框號 4~12

## B2 Series Right Angle Shaft Gearbox (Vertical Installation) B2 系列直角軸齒輪箱 (立式安裝)

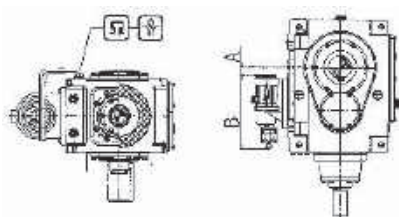
■ B2SV, B2HV, B2DV, B2KV, B2FV  
With dip lubrication 浸油潤滑



■ Forced lubrication by flanged pump 採用法蘭泵的強制潤滑

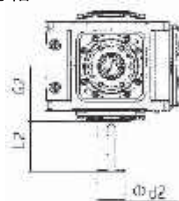


■ Forced lubrication by motor pump 採用電動泵強制潤滑

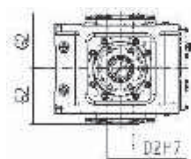


### Output shaft 出力軸

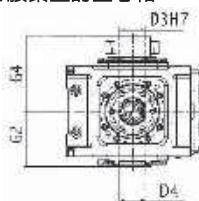
■ B2SV  
Solid shaft  
實心軸



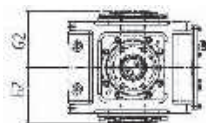
■ B2HV  
Hollow shaft  
空心軸



■ B2DV  
Hollow shaft for shrink disk  
帶脹緊盤的空心軸

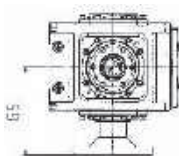


■ B2KV  
Hollow shaft with involute spline  
帶花鍵的空心軸



Involute spline refer page 89~90  
花鍵參數見 89~90 頁

■ B2FV  
Flanged shaft  
法蘭軸



Flanged shaft refer page 91~92  
法蘭的接口尺寸見 91~92 頁

CAD 尺寸



gear.fyi/bgc

Frame Size 框號	Input shaft 入力軸								Gear units 齒輪箱										
	iN=5~11.2			iN=6.3~14			G1	G3	a	b1	C	e3	e4	e5	h	h1	m2	n1	e6
	d1	l1	l3	d1	l1	l3													
4	45k6	100	80				465	485	505	150	30±1	100	200	215	135	165	300	30	320
5	55k6	110	80				535	565	565	240	30±1	185	230	252	160	205	360	30	385
6				55k6	110	80	570	600	645	240	30±1	185	230	252	160	205	360	30	425
7	70m6	135	105				640	670	690	240	36±1	225	280	302	190	205	430	35	425
8				70m6	135	105	685	715	795	240	36±1	225	280	302	190	205	430	35	485
9	80m6	165	130				755	790	820	330	45±1.5	265	320	342	220	275	490	40	560
10				80m6	165	130	805	840	920	330	45±1.5	265	320	342	220	275	490	40	610
11	90m6	165	130				925	960	975	330	54±1.5	320	380	410	265	275	600	50	595
12				90m6	165	130	995	1030	1130	330	54±1.5	320	380	410	265	275	600	50	680

Frame Size 框號	Gear units 齒輪箱					Fan 風扇				Output shaft 出力軸							Lubrication 潤滑油 (L)		Weight 重量 (kg)		
	E	G6	m1	n2	p2	S	A1	B2	d6	d2	L2	G2	D2	D3	D4	G4	G5	Dip lubrication 浸油潤滑	Forced lubrication 強制潤滑	B2SV B2HV B2DV B2KV	B2FV
4	160	495	445	160	220	24	188	200	150	80m6	170	170	80	85	85	235	-	23.5	-	235	-
5	185	575	505	175	270	24	215	235	160	100m6	210	200	95	100	100	275	290	38	19	360	400
6	220	610	585	220	270	24	215	235	160	110m6	210	200	105	110	110	275	290	46	23	410	455
7	225	685	620	215	330	28	250	285	210	120m6	210	235	115	120	120	320	340	74	37	615	670
8	270	730	725	275	330	28	250	285	210	130m6	250	235	125	130	130	325	340	81	40	700	760
9	265	805	740	260	370	36	270	325	195	140m6	250	270	135	140	145	365	385	115	57	1000	1090
10	315	855	840	310	370	36	270	325	195	160m6	300	270	150	150	155	385	385	120	60	1155	1250
11	320	980	875	295	440	40	328	385	210	170m6	300	320	165	165	170	450	450	190	95	1640	1775
12	390	1050	1030	380	440	40	328	385	210	180m6	300	320	180	180	185	455	450	225	114	1910	2060

iN=Nominal Ratio 公稱減速比

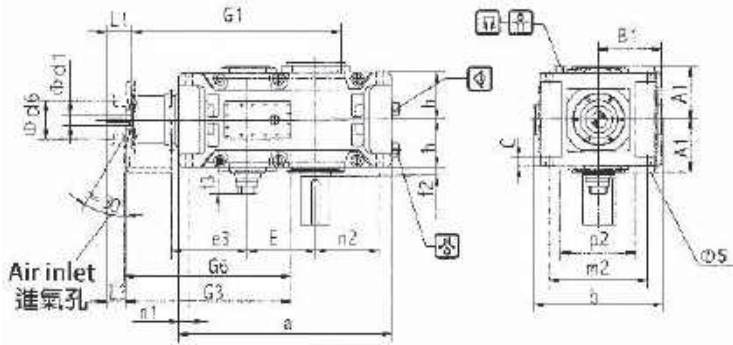
For parallel key dimensions and centre bore, refer to page 93~94. 有關平鍵和中心孔，參見第 93~94 頁

# B2 Frame Size 框號 13~18

## B2 Series Right Angle Shaft Gearbox (Vertical Installation) B2 系列直角軸齒輪箱 (立式安裝)

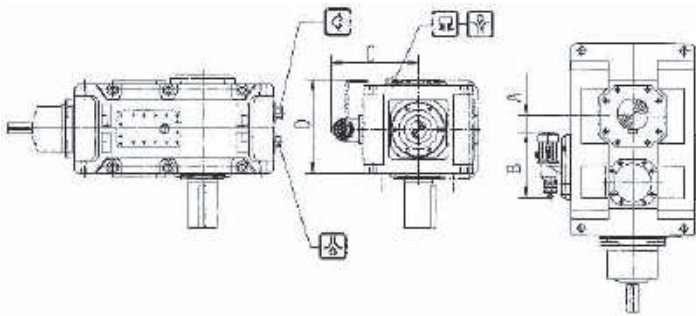
### ■ B2SV, B2HV, B2DV, B2KV, B2FV

Forced lubrication by flanged pump 採用法蘭泵的強制潤滑



### ■ B2SV, B2HV, B2DV, B2KV, B2FV

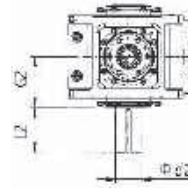
Forced lubrication by motor pump 採用電動泵強制潤滑



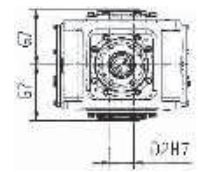
Contact Varitron® or your sales personal 請聯絡本公司

### Output shaft 出力軸

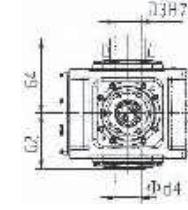
#### ■ B2SV Solid shaft 實心軸



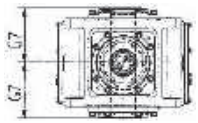
#### ■ B2HV Hollow shaft 空心軸



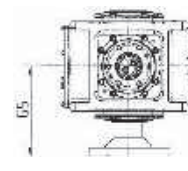
#### ■ B2DV Hollow shaft for shrink disk 帶脹緊盤的空心軸



#### ■ B2KV Hollow shaft with involute spline 帶花鍵的空心軸



#### ■ B2FV Flanged shaft 法蘭軸



Involute spline refer page 89~90  
花鍵參數見 89~90 頁

Flanged shaft refer page 91~92  
法蘭的接口尺寸見 91~92 頁



Frame Size 框號	Input shaft 入力軸													Gear units 齒輪箱											
	iN=5~11.2			iN=5.6~11.2			iN=5.6~12.5			iN=6.3~14			iN=7.1~12.5			G1	G3	a	b	C	e3	h			
	d1	L1	L3	d1	L1	L3	d1	L1	L3	d1	L1	L3	d1	L1	L3										
13	110m6	205	165													1070	1110	1130	900	61±2	380	325			
14												110m6	205	165		1140	1180	1270	900	61±2	380	325			
15	130m6	245	200													1277	1322	1350	980	72±2	450	380			
16												130m6	245	200		1323	1368	1440	980	72±2	450	380			
17																1435	1480	1490	1110	81±2	510	437.5			
18																150m6	245	200	1495	1540	1610	1110	81±2	510	437.5

Frame Size 框號	Gear units 齒輪箱							Fan 冷卻風扇			Output shaft 出力軸							Lubrication 潤滑油 (L)	Weight 重量 (kg)					
	m2	n1	p2	E	f2	G6	m1	n2	s	A1	B1	d6	d2	L2	G2	D2	D3	d4	G4	G5	G7	Dip lubrication 浸油潤滑	B2SV B2HV B2DV B2KV	B2FV
13	680	50	500	370	38	1130	1035	360	48	375	450	245	200m6	350	390	-	-	-	-	525	-	125	2350	2520
14	680	50	500	440	45	1200	1175	430	48	375	450	245	210m6	350	390	210	210	215	535	525	390	140	2725	2905
15	750	60	570	442	75	1340	1235	430	55	435	495	280	230m6	410	460	-	-	-	-	625	-	190	3795	4050
16	750	60	570	488	75	1385	1325	475	55	435	495	280	240m6	410	460	240	240	245	620	625	450	200	4160	4430
17	840	70	630	490	98	1500	1360	465	65	505	555	380	250m6	410	540	-	-	-	-	695	-	270	5320	5640
18	840	70	630	550	98	1560	1480	525	65	505	555	380	270m6	470	540	275	280	285	700	695	510	295	5860	6230

iN=Nominal Ratio 公稱減速比

For parallel key dimensions and centre bore, refer to page 93~94. 有關平鍵和中心孔，參見第 93~94 頁



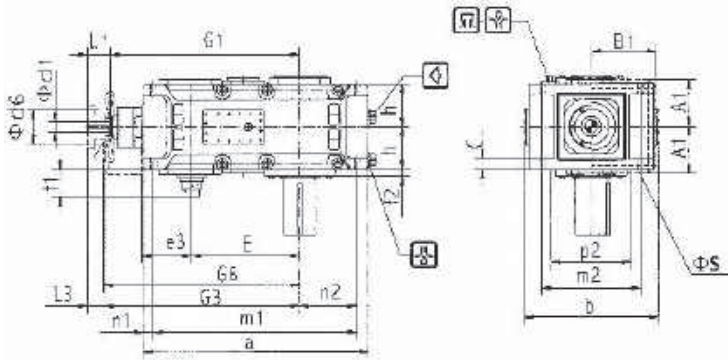


# B3 Frame Size 框號 13~22

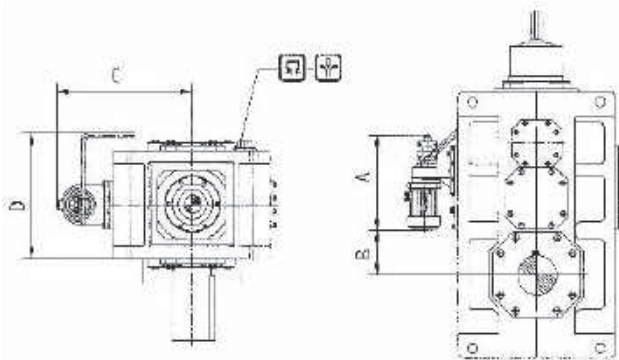
## B3 Series Right Angle Shaft Gearbox (Vertical Installation) B3 系列直交軸齒輪箱 (立式安裝)

### ■ B3SV, B3HV, B3DV, B3KV, B3FV

Forced lubrication by flanged pump 採用法蘭泵的強制潤滑



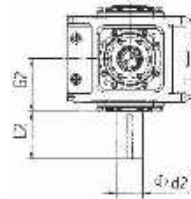
### ■ Forced lubrication by motor pump 採用電動泵強制潤滑



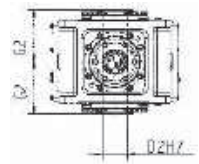
Contact Varitron® or your sales personal 請聯絡本公司

### Output shaft 出力軸

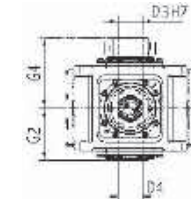
#### ■ B3SV Solid shaft 實心軸



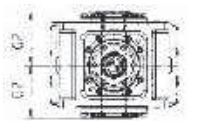
#### ■ B3HV Hollow shaft 空心軸



#### ■ B3DV Hollow shaft for shrink disk 帶脹緊盤的空心軸

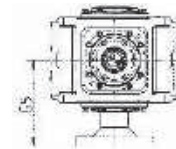


#### ■ B3KV Hollow shaft with involute spline 帶花鍵的空心軸



Involute spline refer page 89~90  
花鍵參數見 89~90 頁

#### ■ B3FV Flanged shaft 法蘭軸



Flanged shaft refer page 91~92  
法蘭的接口尺寸見 91~92 頁



Frame Size 框號	Input shaft 入力軸																		Gear units 齒輪箱								
	iN=12.5~45			iN=14~50			iN=16~56			iN=50~71			iN=56~80			iN=63~90			G1	G3	a	b	C	e3			
	d1	L1	L3	d1	L1	L3	d1	L1	L3	d1	L1	L3	d1	L1	L3	d1	L1	L3									
13	80m6	165	130							60m6	140	105							60m6	140	105	1125	1160	1290	900	61±2	265
14							80m6	165	130										60m6	140	105	1195	1230	1430	900	61±2	265
15	90m6	165	130							70m6	140	105										1367	1402	1550	980	72±2	320
16				90m6	165	130							70m6	140	105							1413	1448	1640	980	72±2	320
17	110m6	205	165							80m6	170	130										1560	1600	1740	1110	81±2	370
18				110m6	205	150							80m6	170	130							1620	1660	1860	1110	81±2	370
19~22	Contact Varitron® or your sales personal 請聯絡本公司																										

Frame Size 框號	Gear units 齒輪箱										Fan 冷卻風扇			Output shaft 出力軸										Lubrication 潤滑油 (L)	Weight 重量(kg)		
	f2	h	m2	n1	p2	E	G6	m1	n2	S	A1	B1	d6	d2	L2	G2	D2	D3	D4	G4	G5	B3SV	B3HV		B3DV	B3KV	B3FV
13	35	272.5	680	50	500	635	1180	1195	360	48	325	475	210	200m6	350	335	190	190	195	480	480	115	2260	2420			
14	35	272.5	680	50	500	705	1250	1335	430	48	325	475	210	210m6	350	335	210	210	215	480	480	130	2615	2785			
15	42	310	750	60	570	762	1420	1435	430	55	365	520	210	230m6	410	380	230	230	235	550	550	180	3540	3780			
16	42	310	750	60	570	808	1470	1525	475	55	365	520	210	240m6	410	380	240	240	245	550	550	190	3765	4020			
17	42	340	850	70	630	860	1620	1610	465	55	395	570	230	250m6	410	415	250	250	260	600	600	260	4760	5060			
18	42	340	850	70	630	920	1680	1730	525	55	395	570	230	270m6	470	415	280	280	285	600	600	275	5240	5590			
19~22	Contact Varitron® or your sales personal 請聯絡本公司																										

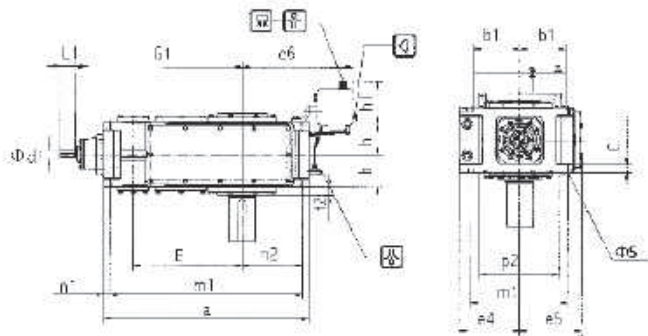
iN=Nominal Ratio 公稱減速比

For parallel key dimensions and centre bore, refer to page 93~94. 有關平鍵和中心孔，參見第 93~94 頁

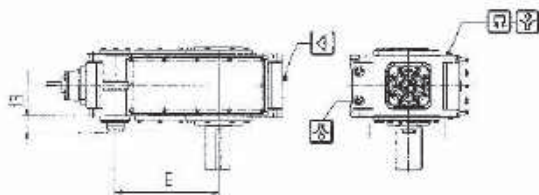
# B4 Frame Size 框號 5~12

## B4 Series Right Angle Shaft Gearbox (Vertical Installation) B4 系列直交軸齒輪箱 (立式安裝)

■ B4SV, B4HV, B4DV, B4KV, B4FV  
With dip lubrication 浸油潤滑

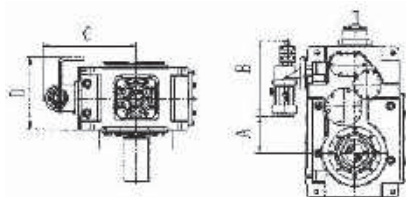


■ Forced lubrication by flanged pump 採用法蘭泵的強制潤滑



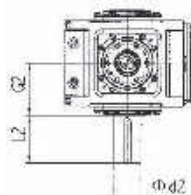
Contact Varitron® or your sales personal 請聯絡本公司

■ Forced lubrication by motor pump 採用電動泵強制潤滑

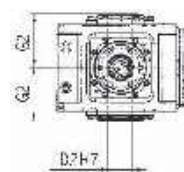


### Output shaft 出力軸

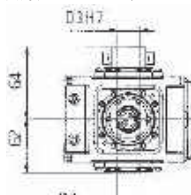
■ B4SV  
Solid shaft  
實心軸



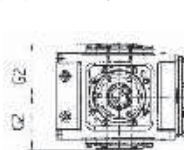
■ B4HV  
Hollow shaft  
空心軸



■ B4DV  
Hollow shaft for shrink disk  
帶脹緊盤的空心軸

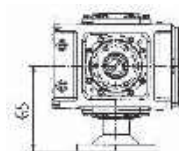


■ B4KV  
Hollow shaft with involute spline  
帶花鍵的空心軸



Involute spline refer page 89~90  
花鍵參數見 89~90 頁

■ B4FV  
Flanged shaft  
法蘭軸



Flanged shaft refer page 91~92  
法蘭的接口尺寸見 91~92 頁

CAD 尺寸



gear.fyi/bgc

Frame Size 框號	Input shaft 入力軸								Gear units 齒輪箱									
	iN=80~180		iN=100~224		iN=200~315		iN=250~450		G1	a	b1	C	e4	h	h1	m2	n1	p2
	d1	L1	d1	L1	d1	L1	d1	L1										
5	28k6	55			20k6	50			615	690	240	30±1	230	127.5	205	360	30	270
6			28k6	55			20k6	50	650	770	240	30±1	230	127.5	205	360	30	270
7	30k6	70			25k6	60			725	845	240	36±1	280	150	205	430	35	330
8			30k6	70			25k6	60	770	950	240	36±1	280	150	205	430	35	330
9	35k6	80			28k6	60			840	1000	330	45±1.5	320	185	275	490	40	370
10			35k6	80			28k6	60	890	1100	330	45±1.5	320	185	275	490	40	370
11	45k6	100			35k6	80			1010	1200	330	54±1.5	380	215	275	600	50	440
12			45k6	100			35k6	80	1080	1355	330	54±1.5	380	215	275	600	50	440

Frame Size 框號	Gear units 齒輪箱							Output shaft 出力軸							Lubrication 潤滑油 (L)		Weight 重量(kg)		
	e5	e6	E	f2	m1	n2	S	d2	L2	G2	D2	D3	D4	G4	G5	Dip lubrication 浸油潤滑	Forced lubrication 強制潤滑	B4SV B4HV B4DV B4KV	B4FV
5	252	385	405	28	630	175	24	100m6	210	165	95	100	100	240	255	36	18	335	370
6	252	425	440	28	710	220	24	110m6	210	165	105	110	110	240	255	40	20	385	425
7	292	425	495	30	775	215	28	120m6	210	195	115	120	120	280	300	65	32	555	605
8	302	485	540	32	880	275	28	130m6	250	195	125	130	130	285	300	73	36	655	710
9	342	560	580	32	920	260	36	140m6	250	235	135	140	145	330	350	105	52	890	975
10	342	610	630	32	1020	310	36	160m6	300	235	150	150	155	350	350	110	55	1025	1115
11	402	595	705	35	1100	295	40	170m6	300	270	165	165	170	400	400	175	87	1485	1615
12	410	680	775	35	1255	380	40	180m6	300	270	180	180	185	405	400	200	100	1750	1890

iN=Nominal Ratio 公稱減速比

For parallel key dimensions and centre bore, refer to page 93~94. 有關平鍵和中心孔，參見第 93~94 頁

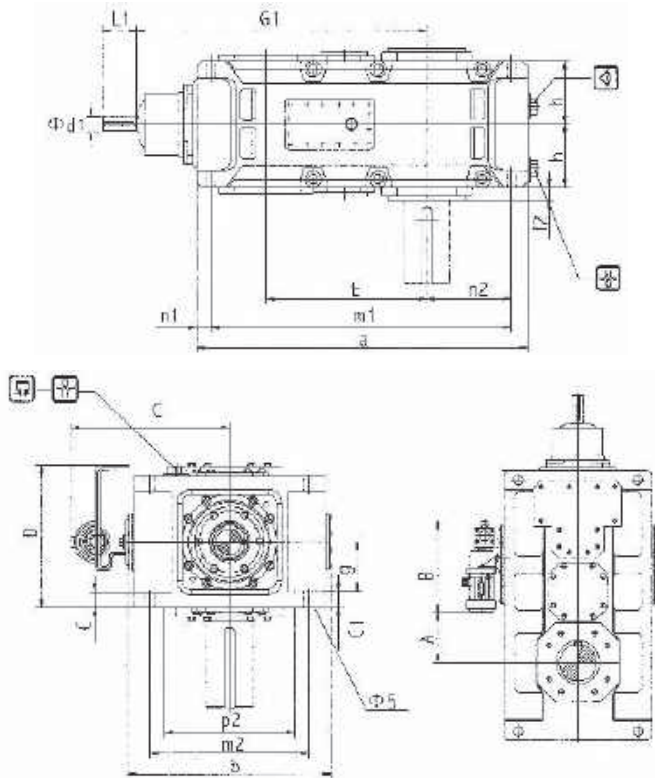


# B4 Frame Size 框號 13~22

## B4 Series Right Angle Shaft Gearbox (Vertical Installation) B4 系列直交軸齒輪箱 (立式安裝)

■ B4SV, B4HV, B4DV, B4KV, B4FV

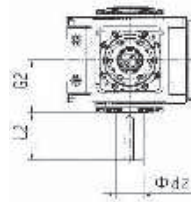
Forced lubrication by flanged pump 採用法蘭泵的強制潤滑



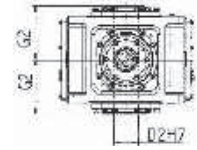
Contact Varitron® or your sales personal 請聯絡本公司

### Output shaft 出力軸

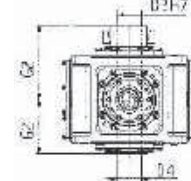
■ B4SV  
Solid shaft  
實心軸



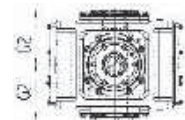
■ B4HV  
Hollow shaft  
空心軸



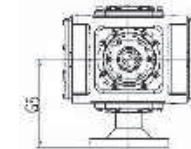
■ B4DV  
Hollow shaft for shrink disk  
帶脹緊盤的空心軸



■ B4KV  
Hollow shaft with involute spline  
帶花鍵的空心軸



■ B4FV  
Flanged shaft  
法蘭軸



Flanged shaft refer page 91~92  
法蘭的接口尺寸見 91~92 頁

Involute spline refer page 89~90  
花鍵參數見 89~90 頁



Frame Size 框號	Input shaft 入力軸													Gear units 齒輪箱				
	iN=80~180		iN=90~200		iN=100~224		iN=200~315		iN=224~355		iN=250~400		G1	a	b	c	h	m2
	d1	L1	d1	L1	d1	L1	d1	L1	d1	L1	d1	L1						
13	55k6	110					55k6	100					1170	1395	900	61±2	272.5	680
14					55k6	110					40m6	100	1240	1535	900	61±2	272.5	680
15	70m5	135					50k6	110					1402	1680	980	72±2	310	750
16			70m6	135					50k6	110			1448	1770	980	72±2	310	750
17	70m6	135					50k6	110					1450	1770	1110	81±2	340	850
18			70m6	135					50k6	110			1510	1890	1110	81±2	340	850
19~22	Contact Varitron® or your sales personal 請聯絡本公司																	

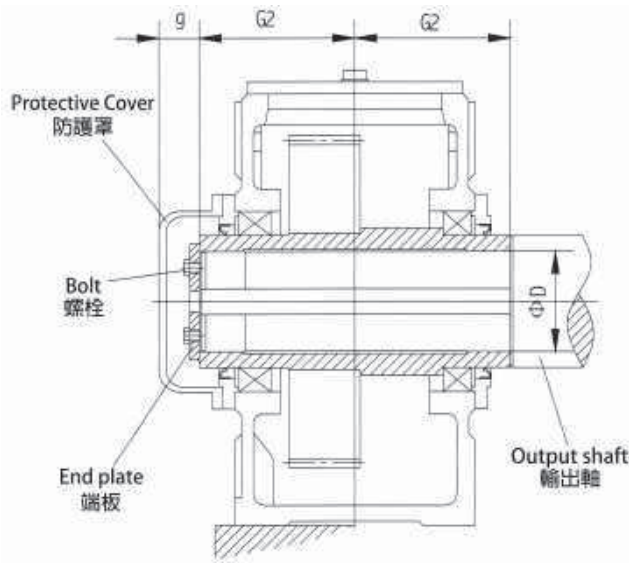
Frame Size 框號	Gear units 齒輪箱							Output shaft 出力軸								Lubrication 潤滑油 (L)	Weight 重量 (kg)		
	n1	p2	E	f2	m1	n2	S	d2	L2	G2	D2	D3	D4	G4	G5		B4SV B4HV B4DV B4KV	B4FV	
13	50	500	820	35	1300	360	48	200m6	350	335	190	190	195	480	480	135	2280	2420	
14	50	500	890	35	1440	430	48	210m6	350	335	210	210	215	480	480	150	2605	2775	
15	60	570	987	42	1565	430	55	230m6	410	380	230	230	235	550	550	210	3435	3675	
16	60	570	1033	42	1655	475	55	240m6	410	380	240	240	245	550	550	220	3765	4020	
17	70	630	1035	42	1640	465	55	250m6	410	415	250	250	260	600	600	270	4460	4760	
18	70	630	1095	42	1760	525	55	270m6	470	415	275	280	285	600	600	285	4930	5280	
19~22	Contact Varitron® or your sales personal 請聯絡本公司																		

iN=Nominal Ratio 公稱減速比

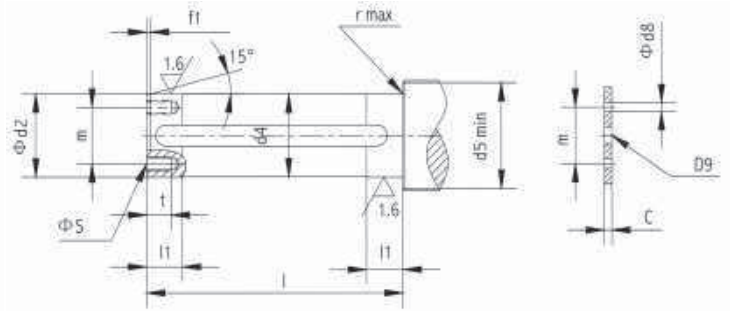
For parallel key dimensions and centre bore, refer to page 93~94. 有關平鍵和中心孔，參見第 93~94 頁



# Hollow Output Shaft with Keyway Dimensions 平鍵連接的空心軸尺寸



Drive machine shaft must be free of oil or grease  
 驅動軸表面不得沾有機油或潤滑脂



Space required by torque wrench  
 X=要求預留的力矩扳手空間

Frame Size 框號	Model 型號 H2H..., H3H..., H4H..., B3H..., B4H...																			
	Driven machine shaft 被驅動軸 <sup>(1)</sup>										End plate 端板				Bolt 螺栓		Hollow shaft 空心軸			
	d2	d4	d5	f1	l	l1	r	s	t	c	D	D9	d	m	Size 規格	Qty 數量	D	G2	g	
4	80	79.5	88	4	278	35	1.2	M10	18	10	11	22	100	60	M10×25	2	80	140	35	
5	95	94.5	105	5	328	40	1.6	M10	18	10	11	26	120	70	M10×25	2	95	165	40	
6	105	104.5	116	5	328	45	1.6	M10	18	10	11	26	120	70	M10×25	2	105	165	40	
7	115	114.5	126	5	388	50	1.6	M12	20	12	13.5	26	140	80	M12×30	2	115	195	40	
8	125	124.5	136	6	388	55	2.5	M12	20	12	13.5	26	150	85	M12×30	2	125	195	40	
9	135	134.5	147	6	467	60	2.5	M12	20	12	13.5	33	160	90	M12×30	2	135	235	45	
10	150	149.5	162	6	467	65	2.5	M12	20	12	13.5	33	185	110	M12×30	2	150	235	45	
11	165	164.5	177	7	537	70	2.5	M16	28	15	17.5	33	195	120	M16×40	2	165	270	45	
12	180	179.5	192	7	537	75	2.5	M16	28	15	17.5	33	220	130	M16×40	2	180	270	45	
13	190	189.5	206	7	667	80	3	M16	28	18	17.5	33	230	140	M16×40	2	190	335	45	
14	210	209.5	226	8	667	85	3	M16	28	18	17.5	33	250	160	M16×40	2	210	335	45	
15	230	229.5	248	8	756	100	3	M20	38	25	22	39	270	180	M20×55	4	230	380	60	
16	240	239.5	258	8	756	100	3	M20	38	25	22	39	280	180	M20×55	4	240	380	60	
17	250	249.5	270	8	826	110	4	M20	38	25	22	39	300	190	M20×55	4	250	415	60	
18	275	274.5	295	9	826	120	4	M20	38	25	22	39	330	210	M20×55	4	275	415	60	

Frame Size 框號	Model 型號 B2H...																			
	Driven machine shaft 被驅動軸 <sup>(1)</sup>										End plate 端板				Bolt 螺栓		Hollow shaft 空心軸			
	d2	d4	d5	f1	l	l1	r	s	t	c	D	D9	d	m	Size 規格	Qty 數量	D	G2	g	
4	80	79.5	88	4	338	35	1.2	M10	18	10	11	22	100	60	M10×25	22	80	170	35	
5	95	94.5	105	5	398	40	1.6	M10	18	10	11	26	120	70	M10×25	2	95	200	40	
6	105	104.5	116	5	398	45	1.6	M10	18	10	11	26	120	70	M10×25	2	105	200	40	
7	115	114.5	126	5	468	50	1.6	M12	20	12	13.5	26	140	80	M12×30	2	115	235	40	
8	125	124.5	136	6	468	55	2.5	M12	20	12	13.5	26	150	85	M12×30	2	125	235	40	
9	135	134.5	147	6	537	60	2.5	M12	20	12	13.5	33	160	90	M12×30	2	135	270	45	
10	150	149.5	162	6	537	65	2.5	M12	20	12	13.5	33	185	110	M12×30	2	150	270	45	
11	165	164.5	177	7	637	70	2.5	M16	28	15	17.5	33	195	120	M16×40	2	165	320	45	
12	180	179.5	192	7	637	75	2.5	M16	28	15	17.5	33	220	130	M16×40	2	180	320	45	
14	210	209.5	226	8	777	85	3	M16	28	18	17.5	33	250	160	M16×40	2	210	390	45	
16	240	239.5	258	8	896	100	3	M20	38	25	22	39	280	180	M20×55	4	240	450	60	
18	275	274.5	295	9	1016	120	4	M20	38	25	22	39	330	210	M20×55	4	275	510	60	

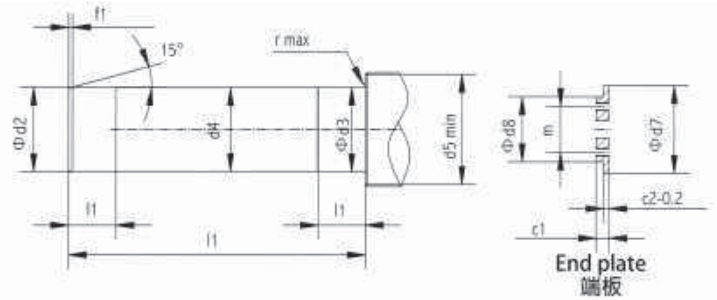
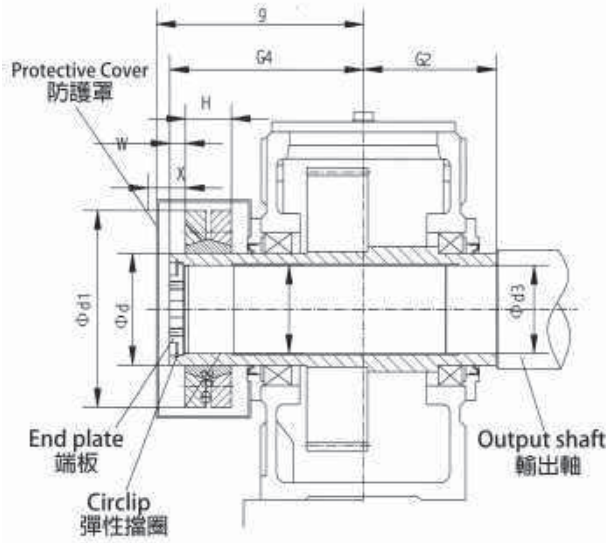
Driven machine shaft and parallel keys is not included in scope of supply. Please order separately, if required.

被驅動軸及平鍵不在我們的供貨範圍之內,如果需要的話, 請另訂閱。

(1) Material of driven machine shaft C60N or higher strength 驅動軸材質需 C60N 或更高強度等級

# Hollow Output Shaft with Shirk Disk Dimensions 帶鎖緊盤連接的空心軸尺寸

Drive machine shaft must be free of oil or grease  
驅動軸表面不得沾有機油或潤滑脂



Space required by torque wrench  
X=要求預留的力矩扳手空間

Frame Size 框號	Model 型號 H2D..., H3D..., H4D..., B3D..., B4D...																											
	Driven machine shaft <sup>(1)</sup> 被驅動軸					End plate 端板					Circlip 彈性擋圈		Hollow shaft 空心軸				Shrink disk 鎖緊盤			Bolt 螺栓	Cover 防護罩							
	d2	d3	d4	d5	f1	l	l1	r	c1	c2	d7	d8	D9	m	s	Qty/數量	(GB/T893.1)	D2	D3	G2	G4	d	d1	H	W	s1	D	g
4	85g6	85h6	84.5	95	4	326	48	2	17	7	90	70	22	50	M8	2	90×2.5	85	85	140	205	110	185	49	20	M12	235	220
5	100g6	100h6	99.5	114	5	383	53	2	20	8	105	80	26	55	M10	2	105×3	100	100	165	240	125	215	53	20	M12	275	255
6	110g6	110h6	109.5	124	5	383	58	3	20	8	115	85	26	60	M10	2	115×3	110	110	165	240	140	230	58	20	M14	285	255
7	120g6	120h6	119.5	134	5	453	68	3	20	8	125	90	26	65	M12	2	125×3	120	120	195	280	155	263	62	23	M14	330	295
8	130g6	130h6	129.5	145	6	458	73	3	20	8	135	100	26	70	M12	2	135×3	130	130	195	285	165	290	68	23	M16	340	300
9	140g6	145m6	139.5	160	6	539	82	4	23	10	150	110	33	80	M12	2	150×3	140	145	235	330	175	300	68	28	M16	360	345
10	150g6	155m6	149.5	170	6	559	92	4	23	10	160	120	33	90	M12	2	160×3	150	155	235	350	200	340	85	28	M16	395	365
11	165f6	170m6	164.5	185	7	644	112	4	23	10	175	130	33	90	M12	2	175×3	165	170	270	400	220	370	103	30	M20	435	420
12	180f6	185m6	179.5	200	7	649	122	4	23	10	190	140	33	100	M16	2	190×3	180	185	270	405	240	405	107	30	M20	450	420
13	190f6	190m6	189.5	213	7	789	137	5	23	10	200	150	33	110	M16	2	200×3	190	190	335	480	260	430	119	30	M20	500	505
14	210f6	215m6	209.5	233	8	784	147	5	28	14	220	170	33	130	M16	2	220×5	210	215	335	480	280	460	132	30	M20	525	505
15	230f6	235m6	229.5	253	8	899	157	5	28	14	240	180	39	140	M16	2	240×5	230	235	380	550	300	485	140	35	M20	575	575
16	240f6	245m6	239.5	263	8	899	157	5	28	14	250	190	39	150	M20	2	250×5	240	245	380	550	320	520	140	35	M20	595	575
17	250f6	255m6	249.5	278	8	982	177	5	30	14	265	200	39	150	M20	2	265×5	250	255	415	600	340	570	155	35	M20	615	630
18	280f6	285m6	279.5	306	9	982	177	5	30	14	290	210	39	160	M20	2	290×5	280	285	415	600	360	590	162	35	M24	635	625

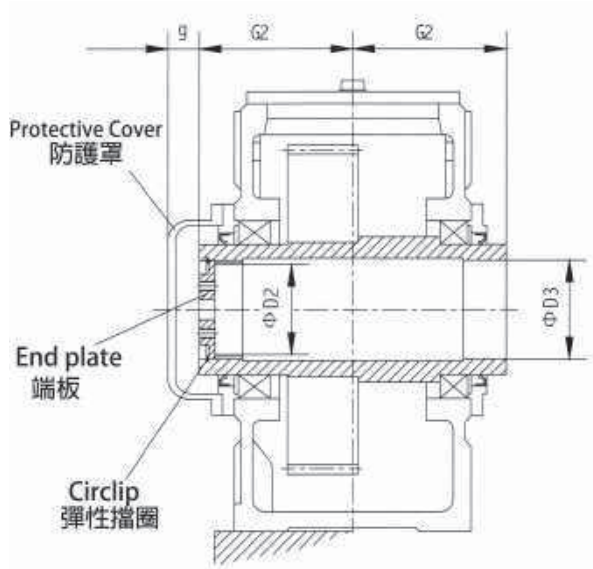
19~26 Contact Varitron® or your sales personal 請聯絡本公司

Frame Size 框號	Model 型號 B2D...																											
	Driven machine shaft <sup>(1)</sup> 被驅動軸					End plate 端板					Circlip 彈性擋圈		Hollow shaft 空心軸				Shrink disk 鎖緊盤			Bolt 螺栓	Cover 防護罩							
	d2	d3	d4	d5	f1	l	l1	r	c1	c2	d7	d8	D9	m	s	Qty 數量	(GB/T893.1)	D2	D3	G2	G4	d	d1	H	W	s1	D	g
4	85g6	85h6	84.5	95	4	386	48	2	17	7	90	70	22	50	M8	2	90×2.5	85	85	170	235	110	185	49	20	M12	235	250
5	100g6	100h6	99.5	114	5	453	53	2	20	8	105	80	26	55	M10	2	105×3	100	100	200	275	125	215	53	20	M12	275	285
6	110g6	110h6	109.5	124	5	453	58	3	20	8	115	85	26	60	M10	2	115×3	110	110	200	275	140	230	58	20	M14	285	285
7	120g6	120h6	119.5	134	5	533	68	3	20	8	125	90	26	65	M12	2	125×3	120	120	235	320	155	263	62	23	M14	330	335
8	130g6	130h6	129.5	145	6	538	73	3	20	8	135	100	26	70	M12	2	135×3	130	130	235	325	165	290	68	23	M16	340	340
9	140g6	145m6	139.5	160	6	609	82	4	23	10	150	110	33	80	M12	2	150×3	140	140	270	365	175	300	68	28	M16	360	380
10	150g6	155m6	149.5	170	6	629	92	4	23	10	160	120	33	90	M12	2	160×3	150	150	270	385	200	340	85	28	M16	395	400
11	165f6	170m6	164.5	185	7	744	112	4	23	10	175	130	33	90	M12	2	175×3	165	165	320	450	220	370	103	30	M20	435	470
12	180f6	185m6	179.5	200	7	749	122	4	23	10	190	140	33	100	M16	2	190×3	180	180	320	455	240	405	107	30	M20	450	470
14	210f6	215m6	209.5	233	8	894	147	5	28	14	220	170	33	130	M16	2	220×5	210	210	390	535	280	460	132	30	M20	525	555
16	240f6	245m6	239.5	263	8	1039	157	5	28	14	250	190	39	150	M20	2	250×5	240	240	450	620	320	520	140	35	M24	595	645
18	280f6	285m6	279.5	306	9	1177	177	5	30	14	290	210	39	160	M20	2	290×5	280	280	510	700	360	590	162	35	M24	635	725
4	85g6	85h6	84.5	95	4	386	48	2	17	7	90	70	22	50	M8	2	90×2.5	85	85	170	235	110	185	49	20	M12	235	250
5	100g6	100h6	99.5	114	5	453	53	2	20	8	105	80	26	55	M10	2	105×3	100	100	200	275	125	215	53	20	M12	275	285
6	110g6	110h6	109.5	124	5	453	58	3	20	8	115	85	26	60	M10	2	115×3	110	110	200	275	140	230	58	20	M14	285	285

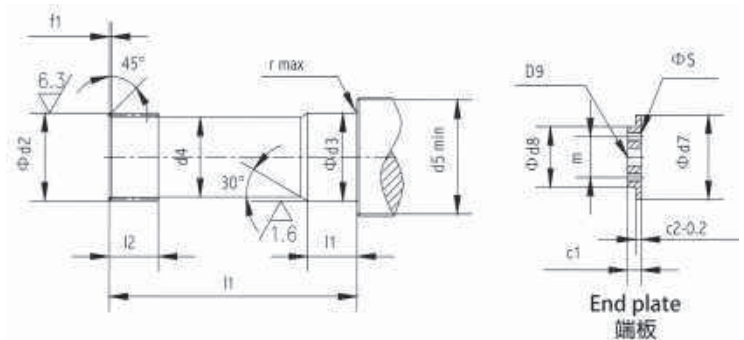
19~26 Contact Varitron® or your sales personal 請聯絡本公司

(1) Material of driven machine shaft C60N or higher strength 驅動軸材質需 C60N 或更高強度等級

# Hollow Output Shaft with Involute Spline Dimensions 帶花鍵連接的空心軸尺寸



Driven machine shaft with involute spline must be filled with grease before installation  
帶花鍵連接的被驅動軸，安裝時花鍵需加潤滑脂



End plate and circlip belong to the scope of our supply  
端板和彈性擋圈在我們的供貨範圍內

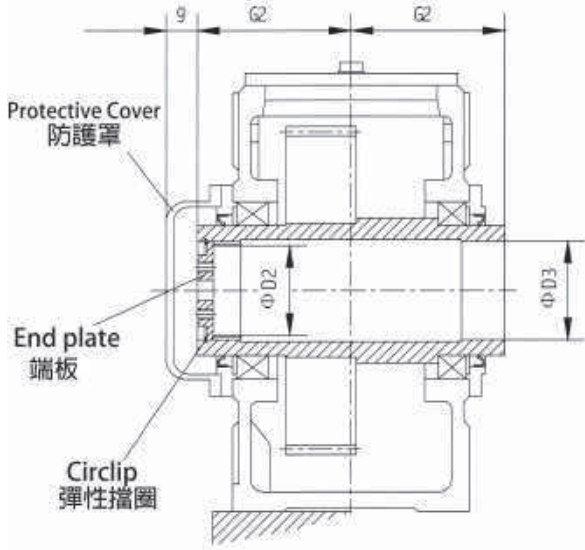
Driven machine shaft with DS center hole machined acc.to DIN 332  
帶按照 DIN332 加工的 DS 型中心孔(螺紋孔)的被驅動軸

Frame Size 框號	Model 型號 H2K..., H3K..., H4K..., B3K..., B4K...									
	Involute spline DIN5480 鍵開線花鍵	Driven machine shaft 被驅動軸								
		d2	d3	d4	d5	f1	l	l1	l2	r
5	W95×3×30×30×8f	94.4h11	100h6	93	114	3	308	53	90	2
6		94.4 h11	110h6	93	124	3	308	58	90	3
7	W120×3×30×38×8f	119.4 h11	120h6	118	134	3	368	68	105	3
8		119.4 h11	130h6	118	145	3	368	73	105	3
9	W140×3×30×45×8f	139.4 h11	145h6	138	160	3	444	82	125	4
10		139.4 h11	155h6	138	170	3	444	92	125	4
11	W170×5×30×32×8f	169 h11	170g6	168	185	5	514	112	150	4
12		169 h11	185g6	168	200	5	514	122	150	4
13	W190×5×30×36×8f	189 h11	195g6	188	213	5	644	137	180	5
14		189 h11	215g6	188	233	5	644	147	180	5
15-26	Contact Varitron® or your sales personal 請聯絡本公司									

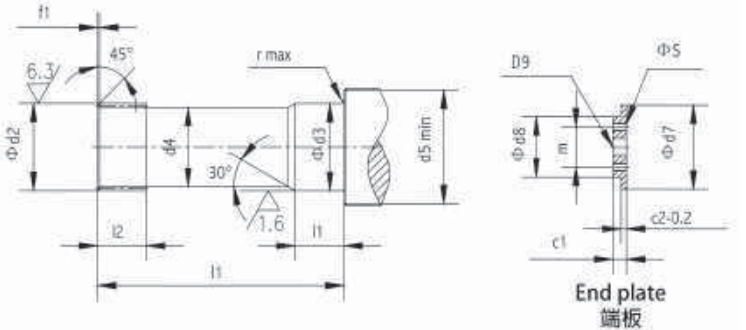
Frame Size 框號	Model 型號 H2K..., H3K..., H4K..., B3K..., B4K...													
	End plate 端板							Circlip 彈性擋圈 (GB/T893.1)	Hollow shaft 空心軸				Bolt 螺栓	
	c1	c2	d7	d8	D9	m	S		Qty 數量	D2	D3	G2		g
5	20	8	105d9	80	26	55	M10	2	105×3	89H11	100H7	165	40	M24
6	20	8	105d9	80	26	55	M10	2	105×3	89H11	110H7	165	40	M24
7	20	8	125d9	90	26	65	M12	2	125×3	114H11	120H7	195	40	M24
8	20	8	125d9	90	26	65	M12	2	125×3	114H11	130H7	195	40	M24
9	23	10	150d9	110	33	80	M12	2	150×3	134H11	145H7	235	45	M30
10	23	10	150d9	110	33	80	M12	2	150×3	134H11	155H7	235	45	M30
11	23	10	175d9	130	33	90	M12	2	175×3	160H11	170H7	270	45	M30
12	23	10	175d9	130	33	90	M12	2	175×3	160H11	185H7	270	45	M30
13	23	10	200d9	150	33	110	M16	2	200×3	180H11	195H7	335	45	M30
14	23	10	200d9	150	33	110	M16	2	200×3	180H11	215H7	335	45	M30
15-26	Contact Varitron® or your sales personal 請聯絡本公司													

(1) Material of driven machine shaft C60N or higher strength 驅動軸材質需 C60N 或更高強度等級

# Hollow Output Shaft with Involute Spline Dimensions 帶花鍵連接的空心軸尺寸



Driven machine shaft with involute spline must be filled with grease before installation  
帶花鍵連接的被驅動軸，安裝時花鍵需加潤滑脂



End plate and circlip belong to the scope of our supply  
端板和彈性擋圈在我們的供貨範圍內

Driven machine shaft with DS center hole machined acc.to DIN 332  
帶按照 DIN332 加工的 DS 型中心孔(螺紋孔)的被驅動軸

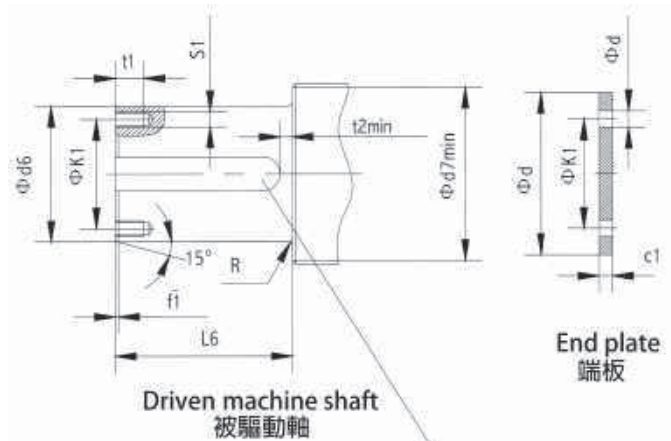
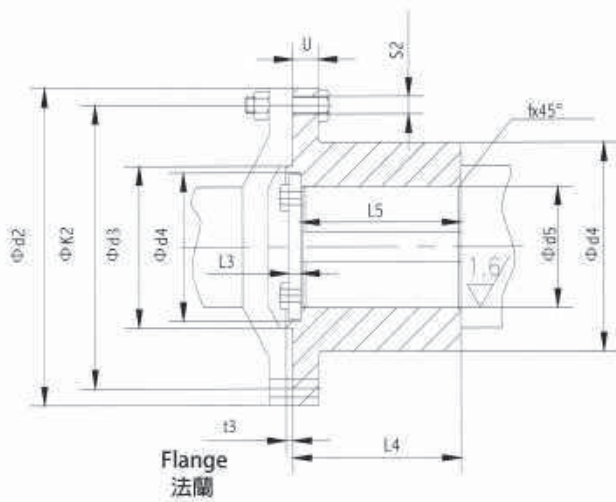
Frame Size 框號	Model 型號 B2K ...									
	Involute spline DIN5480 鍵開線花鍵	Driven machine shaft 被驅動軸								
		d2	d3	d4	d5	f1	l	l1	l2	r
5	W95×3×30×30×8f	94.4h11	100h6	93	114	3	378	53	90	2
6		94.4 h11	110h6	93	124	3	378	58	90	3
7	W120×3×30×38×8f	119.4 h11	120h6	118	134	3	448	68	105	3
8		119.4 h11	130h6	118	145	3	448	73	105	3
9	W140×3×30×45×8f	139.4 h11	145h6	138	160	3	514	82	125	4
10		139.4 h11	155h6	138	170	3	514	92	125	4
11	W170×5×30×32×8f	169 h11	170g6	168	185	5	614	112	150	4
12		169 h11	185g6	168	200	5	614	122	150	4
13-18	Contact Varitron® or your sales personal 請聯絡本公司									

Frame Size 框號	Model 型號 B2K ...													
	End plate 端板							Circlip 彈性擋圈 (GB/T893.1)	Hollow shaft 空心軸				Bolt 螺栓	
	c1	c2	d7	d8	D9	m	s		Qty 數量	D2	D3	G2		g
5	20	8	105d9	80	26	55	M10	2	105×3	89H11	100H7	200	40	M24
6	20	8	105d9	80	26	55	M10	2	105×3	89H11	110H7	200	40	M24
7	20	8	125d9	90	26	65	M12	2	125×3	114H11	120H7	235	40	M24
8	20	8	125d9	90	26	65	M12	2	125×3	114H11	130H7	235	40	M24
9	23	10	150d9	110	33	80	M12	2	150×3	134H11	145H7	270	45	M30
10	23	10	150d9	110	33	80	M12	2	150×3	134H11	155H7	270	45	M30
11	23	10	175d9	130	33	90	M12	2	175×3	160H11	170H7	320	45	M30
12	23	10	175d9	130	33	90	M12	2	175×3	160H11	185H7	320	45	M30
14-18	Contact Varitron® or your sales personal 請聯絡本公司													

(1) Material of driven machine shaft C60N or higher strength 驅動軸材質需 C60N 或更高強度等級



# Flanged Shaft Dimensions 與法蘭軸聯接的對接法蘭尺寸



Keyway acc. to Din6885/1. For frame size 11 & 12, 2 keyways offset at 180°  
 平鍵槽按照 DIN6885/1, 當框號為 11 和 12 時按 180° 分布的雙鍵槽

Frame Size 框號	Model 型號 H2F..., H3F..., H4F..., B2F..., B3F..., B4F...															
	Flange 法蘭													Bolt 螺栓 <sup>(1)</sup>		
	d2	d <sup>3)</sup>	d4	D4	D5	f	k2	L3	L4	L5	S2	t3	U	Size 規格	Qty 數量	TA <sup>(2)</sup> (Nm)
5	300	150f6	190	135	110H6	2.5	260	16	175	167	M20	8	25	M20×70	16	610
6	320	160f6	210	145	120H6	2.5	280	22	185	171	M20	8	25	M20×70	18	610
7	370	180f6	230	160	135H6	2.5	320	21	220	207	M24	8	30	M24×90	16	1050
8	390	190f6	270	175	150H6	2.5	340	22	220	206	M24	8	30	M24×90	18	1050
9	430	220f6	290	195	160H6	4	380	22	250	238	M24	10	38	M24×100	20	1050
10	470	240f6	310	220	180H6	4	420	22	250	238	M24	10	38	M24×100	22	1050
11	510	260f6	340	235	200H6	4	450	22	290	278	M30	10	42	M30×120	18	2100
12	540	280f6	360	255	210H6	4	480	22	290	278	M30	10	42	M30×120	22	2100

Frame Size 框號	Model 型號 H2F..., H3F..., H4F..., B2F..., B3F..., B4F...															
	Flange 法蘭													Bolt 螺栓		
	d6	d7	f1	k1	L6	r	t1	t2	C1	d	D	k1	Size 規格	Qty 數量	TA <sup>(2)</sup> (Nm)	
5	110p6	122	2.5	80	165	2	M12	7.5	10	130	13.5	80	M12×35	4	35	
6	120p6	132	2.5	95	169	2	M16	7.5	14	140	17.5	95	M16×45	4	45	
7	135p6	147	2.5	95	205	2	M16	16	14	155	17.5	95	M16×45	4	65	
8	150p6	162	2.5	110	204	2	M16	16	16	170	17.5	110	M16×45	4	85	
9	160p6	176	4	110	235	3	M16	16	16	190	17.5	110	M16×45	4	115	
10	180p6	196	4	145	235	3	M20	16	18	215	22	145	M20×55	4	130	
11	200p6	216	4	145	275	3	M20	16	18	230	22	145	M20×55	4	175	
12	210p6	230	4	160	275	3	M20	16	18	250	22	160	M20×55	4	200	

Driven machine shaft and parallel keys is not included in scope of supply. Please order separately, if required.

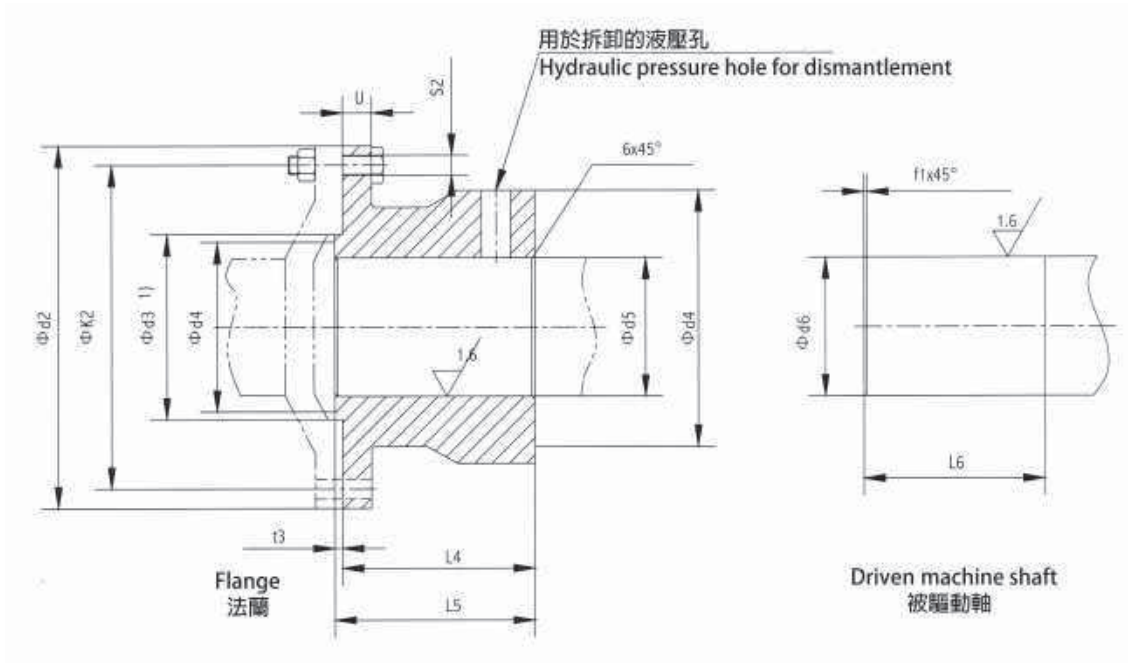
被驅動軸及平鍵不在我們的供貨範圍之內;如果需要的話, 請另訂閱。

(1) Screws according to DIN931, material 10.9; nut according to DIN934, material 10. 螺絲等級依照 DIN931,10.9 材料; 螺母等級依照 DIN934,10.0 材料

(2) TA:Tightening torque of the flange connection screw. Materials of flanges and driven machine shaft C60N or higher strength.

TA:法蘭螺絲鎖緊扭力. 法蘭材質及驅動軸材質需 C60N 或更高強度等級

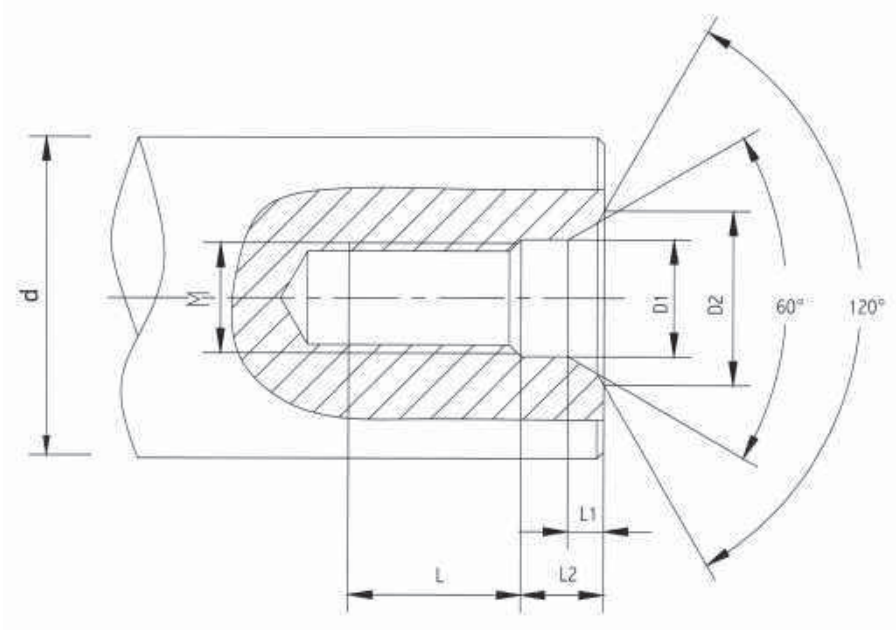
## Flanged Shaft Dimensions 與法蘭軸連接的對接法蘭尺寸



Frame Size 框號	Model 型號 H2F..., H3F..., H4F..., B2F..., B3F..., B4F...													Driven machine shaft 被驅動軸			Weight 重量 (kg)
	Flange 法蘭								Bolt 螺栓 <sup>(1)</sup>								
	d2	d <sup>3)</sup>	d4	D5	k2	L4	L5	S2	t3	U	Frame Size/框號	Qty/數量	TA	d6	f1	L6	
13	580	310j6	390	240H6	500	310	322	M30	12	48	M30×130	20	2100	240v6	3	322	235
14	620	310j6	425	260H6	540	345	357	M30	12	48	M30×130	24	2100	260v6	3	357	300
15	710	360j6	460	280H6	630	365	380	M30	15	55	M30×140	28	2100	280v6	3	380	400
16	740	360j6	480	300H6	660	395	410	M30	15	55	M30×140	30	2100	300v6	4	410	450
17	750	410j6	520	320H6	660	420	436	M36	16	60	M36×160	24	3560	320v6	4	436	540
18	800	410j6	550	340H6	710	450	466	M36	16	60	M36×160	26	3560	340v6	4	466	650
19~26	Contact Varitron® or your sales personal 請聯絡本公司																

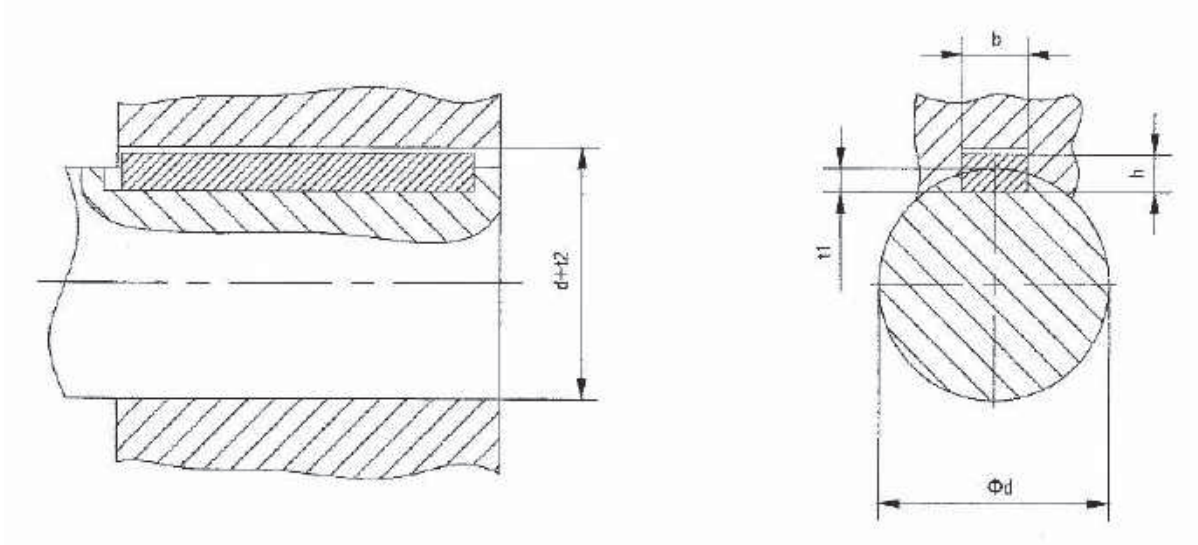
(1) Screws according to DIN931, material 10.9; nut according to DIN934, material 10. 螺絲等級依照 DIN931,10.9 材料；螺母等級依照 DIN934,10.0 材料

# Center Bore Thread Size on Shaft Side Dimensions 軸端中心孔螺紋尺寸



Shaft sizes 軸心尺寸 (mm) $\varnothing d$	M	L	L2	L1	D1	D2
$7 < d \leq 10$	M3	10	2.6	1.8	3.2	5.8
$10 < d \leq 13$	M4	10	3.2	2.1	4.3	7.4
$13 < d \leq 16$	M5	10	4	2.4	5.3	8.8
$16 < d \leq 21$	M6	12	5	2.8	6.4	10.5
$21 < d \leq 24$	M8	12	6	3.3	8.4	13.2
$24 < d \leq 30$	M10	15	7.5	3.8	10.5	16.3
$30 < d \leq 38$	M12	20	9.5	4.4	13	19.8
$38 < d \leq 50$	M16	25	12	5.2	17	25.3
$50 < d \leq 85$	M20	30	15	6.4	21	31.3
$85 < d \leq 130$	M24	35	18	8	25	38
$130 < d \leq 225$	M30	45	18	11	31	48

# Parallel Key and Keyways Dimensions 平鍵與鍵槽尺寸



Shaft sizes 軸心尺寸 (mm) $\varnothing d$	b	h	t1	d+t2
8 < d ≤ 10	3	3	1.8	d+1.4
10 < d ≤ 12	4	4	2.5	d+1.8
12 < d ≤ 17	5	5	3	d+2.3
17 < d ≤ 22	6	6	3.5	d+2.8
22 < d ≤ 30	8	7	4	d+3.3
30 < d ≤ 38	10	8	5	d+3.3
38 < d ≤ 44	12	8	5	d+3.3
44 < d ≤ 50	14	9	5.5	d+3.8
50 < d ≤ 58	16	10	6	d+4.3
58 < d ≤ 65	18	11	7	d+4.4
65 < d ≤ 75	20	12	7.5	d+4.9
75 < d ≤ 85	22	14	9	d+5.4
85 < d ≤ 95	25	14	9	d+5.4
95 < d ≤ 110	28	16	10	d+6.4
110 < d ≤ 130	32	18	11	d+7.4
130 < d ≤ 150	36	20	12	d+8.4
150 < d ≤ 170	40	22	13	d+9.4
170 < d ≤ 200	45	25	15	d+10.4
200 < d ≤ 230	50	28	17	d+11.4
230 < d ≤ 260	56	32	20	d+12.4
260 < d ≤ 290	63	32	20	d+12.4
290 < d ≤ 330	70	36	22	d+14.4
330 < d ≤ 390	80	40	25	d+15.4
390 < d ≤ 440	90	45	28	d+17.4

※ Dimensions and specifications in the catalog are subject to change without notice. 尺寸及規格若有變動，將不另行通知。

※ All dimension in the catalog are in mm unit. 目錄內尺寸表單位為 mm。



# POWER TRANSMISSION

## Products Overview

Power: 0.2kW~132kW  
Ratio: 1/6~1/658503

**Cycloidal Drive Reducer**

賽驅樂減速機



Backlash: 1-3armin  
Ratio: 1/6~1/658503

**RV Precision Cycloidal Gear**

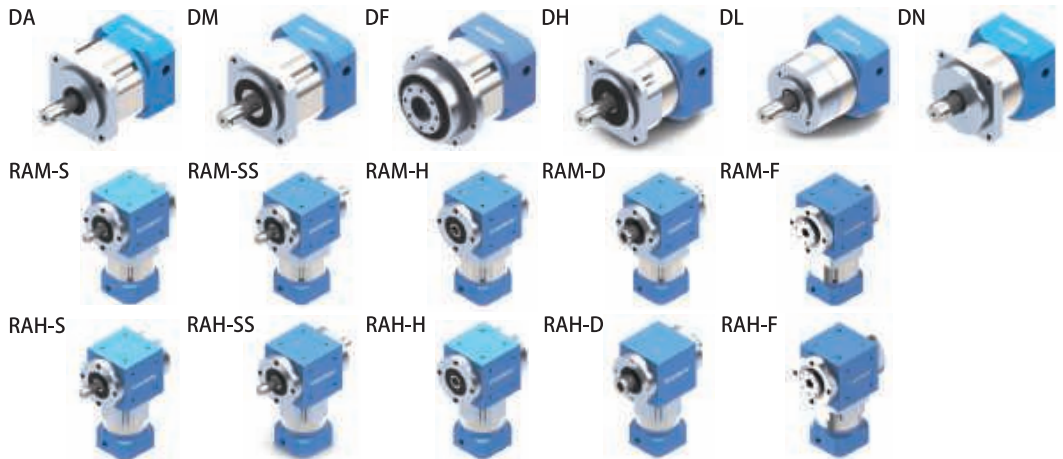
高精密擺線減速機



Power: 100W~11kW  
Ratio: 1/3~1/1000  
Backlash: 3 arcmin  $\leq$

**Precision Planetary Gearbox**

精密行星減速機



**Hollow Rotating Platform**

中空旋轉平台



Power: 0.2kW~125kW  
Ratio: 1/3.48~1/7708

**Planetary Gear Reducer**

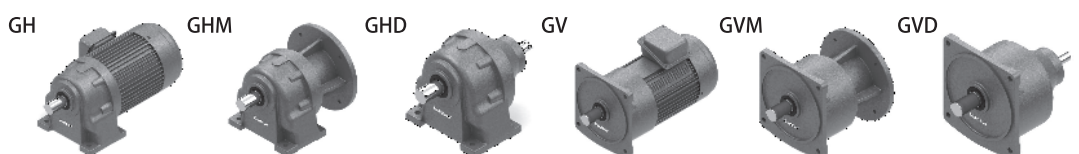
遊星式減速機



Power: 0.1kW~3.7kW  
Ratio: 1/3~1/1800

**Compact Helical Gear Motor Reducers**

小型齒輪減速機



Power: 0.2kW~75kW  
Ratio: 1/3~1/15000

**Helical Gear Motor Reducers**

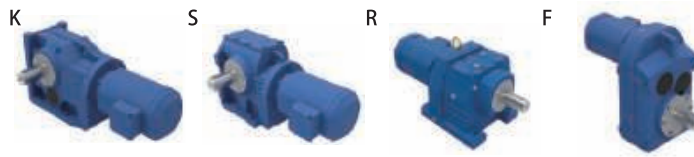
齒輪減速機



Power: 0.2kW~75kW  
Ratio: 1/5~1/16930

**SEW Type  
Gear Reducer**

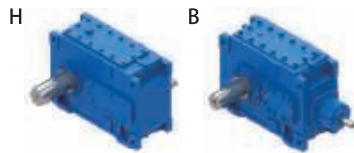
歐規齒輪減速機



Power: 2kW~5366kW  
Ratio: 1/2~1/450

**Industrial Helical  
Bevel Gearbox**

齒輪箱



Power: 0.1kW~7.5kW  
Ratio: 1/5~1/1000

**NMRV Worm  
Gear Reducer**

萬向蝸輪減速機



Power: 0.1kW~75kW  
Ratio: 1/5~1/3600

**Worm Gear  
Speed Reducer**

蝸輪減速機







# DRIVE TECHNOLOGIES

Power: 0.1kW~7.5kW

TXE



TKF



**Disco Speed Variator**

無段變速機

Power: 0.4kW~7.5kW

APH



HV



**Belt Stepless Variable Speed Drive**

皮帶變速機

Power: 0.4kW~11kW

LM



**Five Steps Buffered Speed Changer**

五段緩衝式變速機

Power: 0.75kW~22kW

PIV-H



PIV-V



**PIV Chain Variable Speed Drive**

鍊條無段變速機

Power: 0.1kW~555kW

LG



**Spiral Bevel Gear Box**

十字轉向機

SR



SRM



**Spiral Screw Rod Actuators**

螺桿升降機

Power: 0.1kW~125kW

AEEH/AEEP/AEES

AEVH/AEVP/AEVS

AEEH-ALB3

AEVH-ALB5

AEVH-ALB14

**Induction Electric Motor**

感應馬達



[www.varitron.com.tw](http://www.varitron.com.tw)  
[www.c-var.com](http://www.c-var.com)

台灣 中國變速工程股份有限公司  
Varitron Engineering (Taiwan) Co., Ltd.

台灣新北市五股區中興路一段171巷45號  
No.45, Ln.171, Sec.1, Zhongxing Rd.,  
Wugu Dist., New Taipei City, Taiwan  
TEL:+886-2-2988-9598  
FAX:+886-2-2985-0998  
EMAIL:sales@c-var.com

