

VARITRON[®]
Take Control In Speed

驅動科技系列產品
Power Transmission Technologies

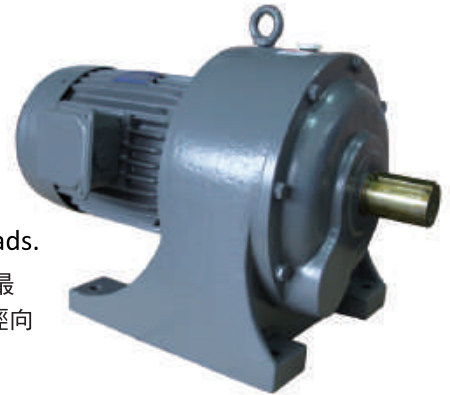


Helical Gear Motor Reducers

齒輪減速機

Varitron Helical Gear Motor Reducers series design base on JIS standard, with high torque, silence operation, high efficiency, and long service life advantage. Designed to offer maximum reliability even in the harshest operating conditions, the Helical Gear Reducer product series guarantees complete versatility and is suitable for applications that require high radial loads.

中國變速齒輪減速機根據日本JIS國家標準專業設計之齒輪，增扭力的齒輪設計即使在最惡劣的運行環境中，依然具有最大的可靠性。該系列保證功能多樣，並且適於需要高徑向負荷的應用場合。



品質與低噪音

每台由中國變速公司生產製造之齒輪減速機，均經過運轉測試，確保噪音值絕對低於標準值內。

高壽命&高精度加工

所有齒輪及軸心均採以CNC電腦數控工具機精密加工。再施以熱處理加工，達到高耐用度以及不會有長期使用後產生間隙過大之問題。而且經熱處理的特殊鋼材更能夠維持長時間使用下依然低噪音的優點。

Quality & Silence

Every Gear Motor manufactured by Varitron, goes through a series of running tests to confirm within quality standard.

Long service life with high precision manufacturing

Gears and shaft are manufactured with precision machined and carburized, then for precision tooth grinding or skiving assures long service life.



Model Photo 型式照片

AMH



ADH



AMV



ADV



How to order 選型

AMH 345 - 5 - 30 - - M1

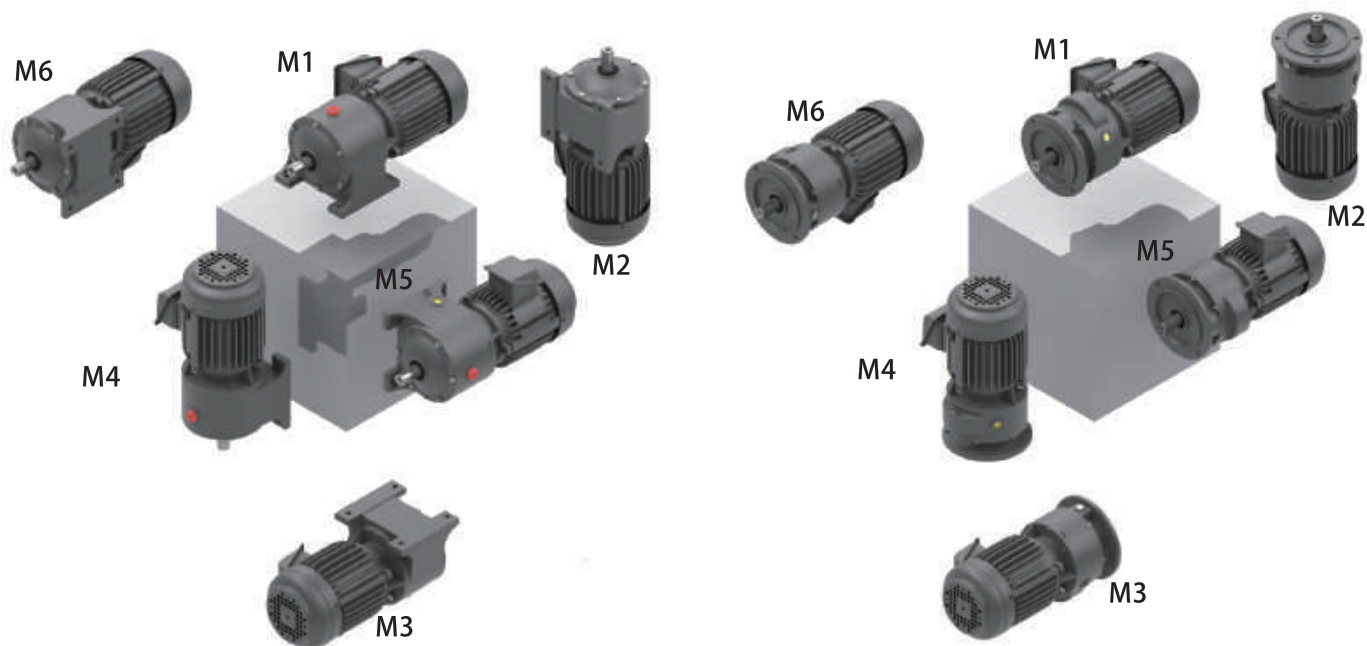
① ② ③ ④ ⑤ ⑥



①	Model 型式	AMH: Foot Mount Helical Gearmotor ADH: Foot Mount Helical Gear with Input Shaft AMV: Flange Mount Helical Gearmotor ADV: Flange Mount Helical Gear with Input Shaft	腳座型齒輪減速馬達 腳座型齒輪減速機附入力軸 法蘭型齒輪減速馬達 法蘭型齒輪減速機附入力軸
②	Frame Size 型號	225,230,240,250,260,270,325,330, ... Refer to each model. 請參考各形式頁面	
③	Motor Horse Power 馬力 (HP)	02,05,1,2,3,5,7.5,10,15,20	
④	Ratio 減速比	4,5,10,15,20,25, ... Refer to each model. 請參考各形式頁面	
⑤	Suffix 特殊 (Option 選配)	Empty if non 無記號：無特殊 SP: Single Phrase Motor 單相馬達 B: With Brake 有剎車 AVM: Speed Variator 無段變速機	DC: DC motor 直流馬達 AV: Inverter Motor 變頻馬達 S: Special 特殊 EP: IE3 Premium Efficiency IE3 超高效率馬達
⑥	Operation Direction 使用方向	M1,M2,M3,... Refer to Page C12. 參考第 C12 頁	

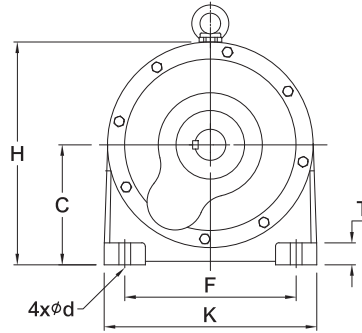
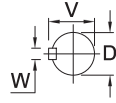
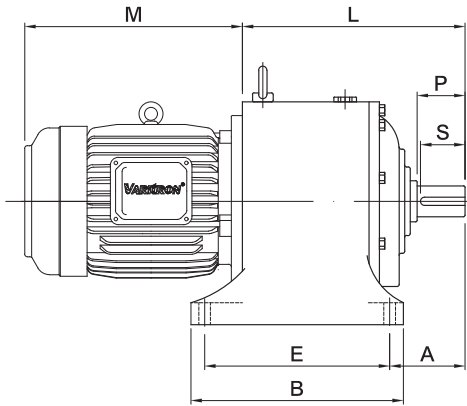
※ Dimensions and specifications in the catalog are subject to change without notice. 尺寸及規格若有變動，將不另行通知。

Operation Direction 使用方向 ⑥



AMH Foot Mount Helical Gearmotor 腳座型齒輪減速馬達

Dimensions 外型尺寸表

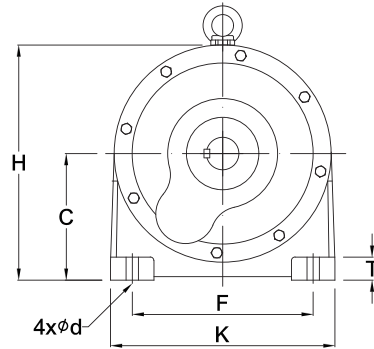
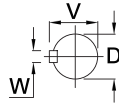
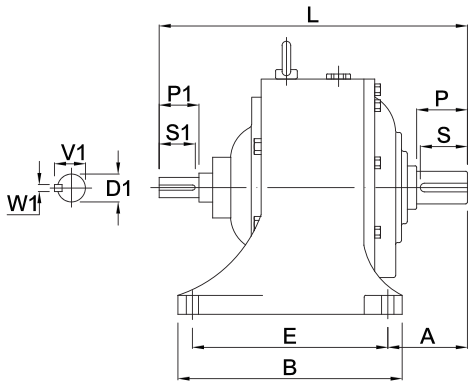


HP 馬力③	Frame Size 型號②	Ratio 減速比④	A	C	H	L	M	T	Foot Stock 腳座					Output Shaft 出力軸				
									E	B	F	K	d	D	P	S	V	W
1/4HP4P (0.2kW)	AMH225	4~30	67	110	200	165	197	18	140	170	130	180	13	25	50	45	28	7
	AMH325	31~100	67	110	200	185	197	18	140	170	130	180	13	25	50	45	28	7
	AMH330	110~180	80	120	225	235	197	21	170	200	150	200	15	30	60	55	33	7
1/2HP4P (0.37kW)	AMH225	4~30	67	110	200	165	248	18	140	170	130	180	13	25	50	45	28	7
	AMH325	31~60	67	110	200	185	248	18	140	170	130	180	13	25	50	45	28	7
	AMH330	61~100	80	120	225	235	248	21	170	200	150	200	15	30	60	55	33	7
1HP4P (0.75kW)	AMH335	110~180	100	140	255	265	248	25	210	250	180	240	15	35	65	60	38.5	10
	AMH230	4~30	85	120	225	210	242	21	170	200	150	200	15	30	60	55	33	7
	AMH330	31~60	80	120	225	235	242	21	170	200	150	200	15	30	60	55	33	7
2HP4P (1.5kW)	AMH335	61~100	100	140	255	265	242	25	210	250	180	240	15	35	65	60	38.5	10
	AMH340	110~180	106	155	305	285	242	25	225	265	215	270	15	40	70	65	43.5	10
	AMH230	4~10	85	120	225	210	326	21	170	200	150	200	15	30	60	55	33	7
3HP4P (2.2kW)	AMH235	11~30	95	140	255	235	326	30	210	250	180	240	15	35	65	60	38.5	10
	AMH335	31~60	100	140	255	265	326	25	210	250	180	240	15	35	65	60	38.5	10
	AMH340	61~100	106	155	305	285	326	25	225	265	215	270	15	40	70	65	43.5	10
5HP4P (3.7kW)	AMH345	110~180	110	180	325	325	326	32	270	310	250	310	15	45	75	70	48.5	12
	AMH240	4~10	95	140	255	235	318	30	210	250	180	240	15	35	65	60	38.5	10
	AMH240	11~30	106	155	305	250	318	25	225	265	215	270	15	40	70	65	43.5	10
7.5HP4P (5.5kW)	AMH340	31~60	106	155	305	285	318	25	225	265	215	270	15	40	70	65	43.5	10
	AMH345	61~100	110	180	325	325	318	32	270	310	250	310	15	45	75	70	48.5	12
	AMH350	110~180	131	210	390	340	318	36	300	350	270	350	18	50	85	80	53.5	12
10HP4P (7.5kW)	AMH240	4~10	106	155	305	250	371	25	225	265	215	270	15	40	70	65	43.5	10
	AMH245	11~30	110	175	325	285	371	32	270	310	250	310	15	45	75	70	48.5	12
	AMH345	31~60	110	180	325	325	371	32	270	310	250	310	15	45	75	70	48.5	12
15HP4P (11kW)	AMH350	61~100	131	210	390	340	371	36	300	350	270	350	18	50	85	80	53.5	12
	AMH360	110~180	130	240	415	350	371	40	330	380	320	390	18	60	90	85	63.5	15
	AMH245	4~10	110	175	325	285	374	32	270	310	250	310	15	45	75	70	48.5	12
20HP4P (15kW)	AMH250	11~30	135	205	390	320	374	36	300	350	270	350	18	50	85	80	53.5	12
	AMH350	31~60	131	210	390	340	374	36	300	350	270	350	18	50	85	80	53.5	12
	AMH360	61~100	130	240	415	350	374	40	330	380	320	390	18	60	90	85	63.5	15
30HP4P (22kW)	AMH250	4~10	135	205	390	320	412	36	300	350	270	350	18	50	85	80	53.5	12
	AMH260	11~30	135	240	415	330	412	40	330	380	320	390	18	60	90	85	63.5	15
	AMH360	31~60	130	240	415	350	412	40	330	380	320	390	18	60	90	85	63.5	15
40HP4P (30kW)	AMH365	61~120	120	245	444	402	412	40	335	400	345	440	20	65	90	85	70	15
	AMH260	4~10	135	240	415	330	498	40	330	380	320	390	18	60	90	85	63.5	15
	AMH270	11~30	120	265	485	380	498	45	380	440	340	475	21	70	105	100	74.5	18
50HP4P (37kW)	AMH365	31~60	120	245	444	402	498	40	335	400	345	440	20	65	90	85	70	15
	AMH375	61~120	130	280	530	453	498	45	390	510	400	515	20	75	100	90	82.5	20
	AMH270	4~10	120	265	485	380	542	45	380	440	340	475	21	70	105	100	74.5	18
50HP4P (37kW)	AMH275	10~30	130	280	530	453	542	45	390	510	400	515	20	75	100	90	82.5	20
	AMH375	31~60	130	280	530	453	542	45	390	510	400	515	20	75	100	90	82.5	20
	AMH410	60~120	150	355	605	515	542	50	400	500	400	525	28	100	125	110	109	28
50HP4P (37kW)	AMH275	4~10	130	280	530	453	562	45	390	510	400	515	20	75	100	90	82.5	20
	AMH410	11~60	150	355	605	515	562	50	400	500	400	525	28	100	125	110	109	28
	AMH415	61~120	165	375	660	560	562	50	470	545	470	600	28	115	135	120	127	32
50HP4P (37kW)	AMH410	4~10	150	355	605	515	600	50	400	500	400	525	28	100	125	110	109	28
	AMH415	11~60	165	375	660	560	600	50	470	545	470	600	28	115	135	120	127	32

※ For Higher gear ratio or larger model, contact Varitron® or your sales personal. 如需更高減速比或馬力請洽中國變速。

ADH Foot Mount Helical Gear with Input Shaft 腳座型附入力軸

Dimensions 外型尺寸表



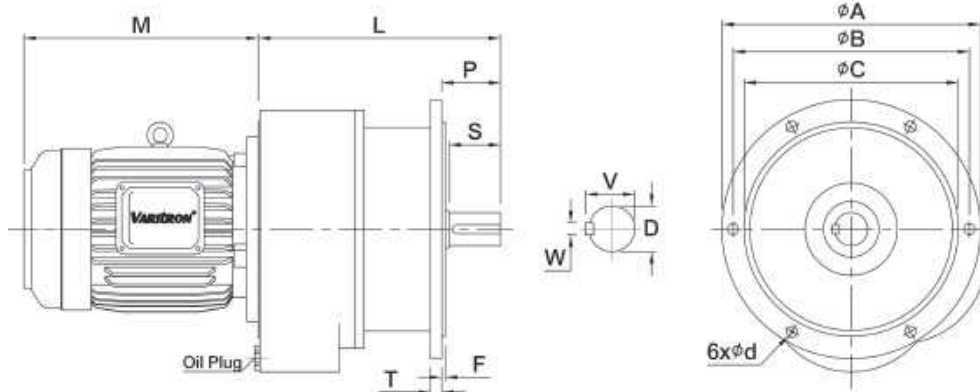
gear.fyi/adh

HP 馬力 ^③	Frame Size 型號 ^②	Ratio 減速比 ^④	A	C	H	L	T	Foot Stock 腳座					Input Shaft 入力軸					Output Shaft 出力軸				
								E	B	F	K	d	D1	P1	S1	V1	W1	D	P	S	V	W
1/4HP4P (0.2kW)	ADH225	4~30	67	110	200	240	18	140	170	130	180	13	14	35	30	16	5	25	50	45	28	7
	ADH325	31~100	65	110	200	260	18	140	170	130	180	13	14	35	30	16	5	25	50	45	28	7
	ADH330	110~180	80	120	225	350	21	170	200	150	200	15	19	45	40	21	5	30	60	55	33	7
1/2HP4P (0.37kW)	ADH225	4~30	67	110	200	240	18	140	170	130	180	13	14	35	30	16	5	25	50	45	28	7
	ADH325	31~60	65	110	200	260	18	140	170	130	180	13	14	35	30	16	5	25	50	45	28	7
	ADH330	61~100	80	120	225	350	21	170	200	150	200	15	19	45	40	21	5	30	60	55	33	7
1HP4P (0.75kW)	ADH230	4~30	85	120	225	325	21	170	200	150	200	15	19	45	40	21	5	30	60	55	33	7
	ADH330	31~60	80	120	225	350	21	170	200	150	200	15	19	45	40	21	5	30	60	55	33	7
	ADH335	61~100	100	140	255	385	25	210	250	180	240	15	24	50	45	27	7	35	65	60	38.5	10
2HP4P (1.5kW)	ADH340	110~180	102	155	305	405	25	225	265	215	270	15	24	50	45	31	7	40	70	65	43.5	10
	ADH230	4~10	85	120	225	325	21	170	200	150	200	15	19	45	40	21	5	30	60	55	33	7
	ADH235	11~30	95	140	255	355	30	210	250	180	240	15	24	50	45	27	7	35	65	60	38.5	10
3HP4P (2.2kW)	ADH335	31~60	100	140	255	385	25	210	250	180	240	15	24	50	45	27	7	35	65	60	38.5	10
	ADH340	61~100	102	155	305	405	25	225	265	215	270	15	24	50	45	31	7	40	70	65	43.5	10
	ADH345	110~180	110	180	325	450	32	270	310	250	310	15	28	55	50	35.5	7	45	75	70	48.5	12
5HP4P (3.7kW)	ADH240	4~10	106	155	305	370	25	225	265	215	270	15	24	50	45	31	7	40	70	65	43.5	10
	ADH245	11~30	110	175	325	410	32	270	310	250	310	15	28	55	50	35.5	7	45	75	70	48.5	12
	ADH345	31~60	110	180	325	450	32	270	310	250	310	15	28	55	50	35.5	7	45	75	70	48.5	12
7.5HP4P (5.5kW)	ADH350	61~100	131	210	390	500	36	300	350	270	350	18	32	60	55	35.5	10	50	85	80	53.5	12
	ADH240	4~10	106	155	305	370	25	225	265	215	270	15	24	50	45	31	7	40	70	65	43.5	10
	ADH245	11~30	110	175	325	410	32	270	310	250	310	15	28	55	50	35.5	7	45	75	70	48.5	12
10HP4P (7.5kW)	ADH250	11~30	135	205	390	460	36	300	350	270	350	18	32	60	55	35.5	10	50	85	80	53.5	12
	ADH350	31~60	131	210	390	500	36	300	350	270	350	18	32	60	55	35.5	10	50	85	80	53.5	12
	ADH360	61~100	130	240	415	515	40	330	380	320	390	18	32	60	55	35.5	10	60	90	85	63.5	15
15HP4P (11kW)	ADH250	4~10	135	205	390	460	36	300	350	270	350	18	32	60	55	35.5	10	50	85	80	53.5	12
	ADH260	11~30	135	240	415	475	40	330	380	320	390	18	32	60	55	35.5	10	60	90	85	63.5	15
	ADH365	61~120	120	245	444	599	40	335	400	345	440	20	42	110	80	46	12	65	90	85	70	15
20HP4P (15kW)	ADH260	4~10	135	240	415	475	40	330	380	320	390	18	32	60	55	35.5	10	60	90	85	63.5	15
	ADH270	11~30	120	265	485	550	45	380	440	340	475	21	42	80	70	45.5	12	70	105	100	74.5	18
	ADH375	61~120	130	280	530	650	45	390	510	400	515	20	42	110	80	46	12	75	100	90	82.5	15
30HP4P (22kW)	ADH270	4~10	120	265	485	550	45	380	440	340	475	21	42	80	70	45.5	12	70	105	100	74.5	18
	ADH275	10~30	130	280	530	650	45	390	510	400	515	20	42	110	80	46	12	75	100	90	82.5	15
	ADH375	31~60	130	280	530	650	45	390	510	400	515	20	42	110	80	46	12	75	100	90	82.5	15
40HP4P (30kW)	ADH410	60~120	150	355	605	769	50	400	500	400	525	28	48	110	80	52	14	100	125	110	109	28
	ADH275	4~10	130	280	530	650	45	390	510	400	515	20	42	110	80	46	12	75	100	90	82.5	15
	ADH415	61~120	165	375	660	819	50	470	545	470	600	28	55	110	80	60	16	115	135	120	127	32
50HP4P (37kW)	ADH410	4~10	150	355	605	769	50	400	500	400	525	28	48	110	80	52	14	100	125	110	109	28
	ADH415	11~60	165	375	660	819	50	470	545	470	600	28	55	110	80	60	16	115	135	120	127	32

※ For Higher gear ratio or larger model, contact Varitron® or your sales personal. 如需更高減速比或馬力請洽中國變速。

AMV Flange Mount Helical Gearmotor 法蘭型齒輪減速馬達

Dimensions 外型尺寸表

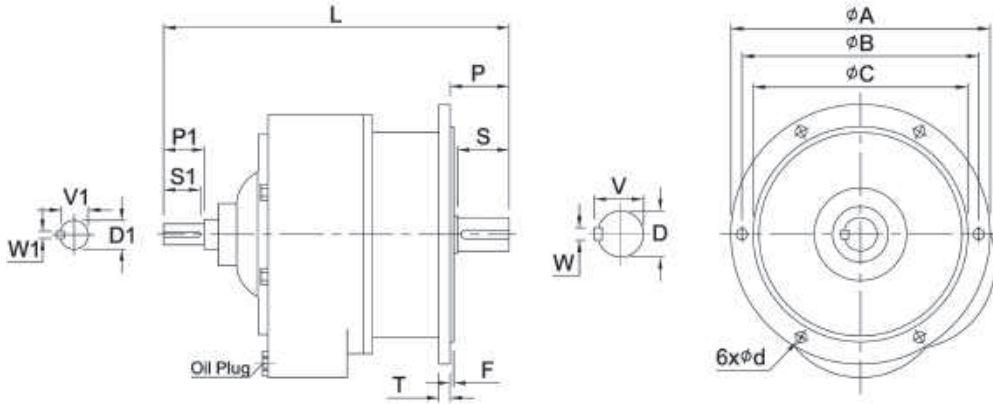


HP 馬力③	Frame Size 型號②	Ratio 減速比④	L	M	P	T	F	Flange 法蘭				Output Shaft 出力軸			
								A	B	C	d	D	S	V	W
1/4HP4P (0.2kW)	AMV225	4~30	165	197	55	10	5	210	190	170	13	25	45	28	7
	AMV325	31~100	185	197	55	10	5	210	190	170	13	25	45	28	7
	AMV330	110~180	235	197	65	12	5	250	225	200	14	30	55	33	7
1/2HP4P (0.37kW)	AMV225	4~30	165	248	55	10	5	210	190	170	13	25	45	28	7
	AMV325	31~60	185	248	55	10	5	210	190	170	13	25	45	28	7
	AMV330	61~100	235	248	65	12	5	250	225	200	14	30	55	33	7
	AMV335	110~180	265	248	70	13	5	280	255	230	15	35	60	38.5	10
1HP4P (0.75kW)	AMV230	4~30	210	242	65	12	5	250	225	200	14	30	55	33	7
	AMV330	31~60	235	242	65	12	5	250	225	200	14	30	55	33	7
	AMV335	61~100	265	242	70	13	5	280	255	230	15	35	60	38.5	10
	AMV340	110~180	285	242	75	15	5	310	280	250	15	40	65	43.5	10
2HP4P (1.5kW)	AMV230	4~10	210	326	65	12	5	250	225	200	14	30	55	33	7
	AMV235	11~30	235	326	70	13	5	280	255	230	15	35	60	38.5	10
	AMV335	31~60	265	326	70	13	5	280	255	230	15	35	60	38.5	10
	AMV340	61~100	285	326	75	15	5	310	280	250	15	40	65	43.5	10
	AMV345	110~180	325	326	80	15	5	350	320	290	15	45	70	48.5	12
3HP4P (2.2kW)	AMV235	4~10	235	318	70	13	5	280	255	230	15	35	60	38.5	10
	AMV240	11~30	250	318	75	15	5	310	280	250	15	40	65	43.5	10
	AMV340	31~60	285	318	75	15	5	310	280	250	15	40	65	43.5	10
	AMV345	61~100	325	318	80	15	5	350	320	290	15	45	70	48.5	12
	AMV350	110~180	360	318	90	17	5	400	370	340	18	50	80	53.5	12
5HP4P (3.7kW)	AMV240	4~10	250	371	75	15	5	310	280	250	15	40	65	43.5	10
	AMV245	11~30	285	371	80	15	5	350	320	290	15	45	70	48.5	12
	AMV345	31~60	325	371	80	15	5	350	320	290	15	45	70	48.5	12
	AMV350	61~100	360	371	90	17	5	400	370	340	18	50	80	53.5	12
	AMV360	110~180	370	371	95	18	5	450	410	380	18	60	85	63.5	15
7.5HP4P (5.5kW)	AMV245	4~10	285	374	80	15	5	350	320	290	15	45	70	48.5	12
	AMV250	11~30	320	374	90	17	5	400	370	340	18	50	80	53.5	12
	AMV350	31~60	360	374	90	17	5	400	370	340	18	50	80	53.5	12
	AMV360	61~100	370	374	95	18	5	450	410	380	18	60	85	63.5	15
10HP4P (7.5kW)	AMV250	4~10	320	412	90	17	5	400	370	340	18	50	80	53.5	12
	AMV260	11~30	330	412	95	18	5	450	410	380	18	60	85	63.5	15
	AMV360	31~60	370	412	95	18	5	450	410	380	18	60	85	63.5	15
15HP4P (11kW)	AMV365	61~120	354	412	102	27	7	470	425	380	20	65	90	70	15
	AMV260	4~10	330	498	95	18	5	450	410	380	18	60	85	63.5	15
	AMV270	11~30	400	498	110	20	5	510	460	420	21	70	100	74.5	18
	AMV365	31~60	354	498	102	27	7	470	425	380	20	65	90	70	15
20HP4P (15kW)	AMV375	61~120	477	498	122	30	7	585	520	450	21	75	100	82.5	20
	AMV270	4~10	400	542	110	20	5	510	460	420	21	70	100	74.5	18
	AMV275	10~30	477	542	122	30	7	585	520	450	21	75	100	82.5	20
	AMV375	31~60	477	542	122	30	7	585	520	450	21	75	100	82.5	20
30HP4P (22kW)	AMV410	60~120	480	542	143	34	7	590	550	500	28	100	125	109	28
	AMV275	4~10	477	562	122	30	7	585	520	450	21	75	100	82.5	20
	AMV410	11~60	480	562	143	34	7	590	550	500	28	100	125	109	28
40HP4P (30kW)	AMV415	61~120	510	562	150	38	7	660	610	560	28	115	135	127	32
	AMV410	4~10	480	600	143	34	7	590	550	500	28	100	125	109	28
50HP4P (37kW)	AMV415	11~60	510	600	150	38	7	660	610	560	28	115	135	127	32

※ For Higher gear ratio or larger model, contact Varitron® or your sales personal. 如需更高減速比或馬力請洽中國變速。

ADV Flange Mount Helical Gear with Input Shaft 法蘭型附入力軸

Dimensions 外型尺寸表



HP 馬力③	Frame Size 型號②	Ratio 減速比④	L	T	F	Flange 法蘭				Input Shaft 入力軸					Output Shaft 出力軸				
						A	B	C	d	D1	P1	S1	V1	W1	D	P	S	V	W
1/4HP4P (0.2kW)	ADV225	4~30	240	10	5	210	190	170	13	14	35	30	16	5	25	55	45	28	7
	ADV325	31~100	260	10	5	210	190	170	13	14	35	30	16	5	25	55	45	28	7
	ADV330	110~180	350	12	5	250	225	200	14	19	45	40	21	5	30	65	55	33	7
1/2HP4P (0.37kW)	ADV225	4~30	240	10	5	210	190	170	13	14	35	30	16	5	25	55	45	28	7
	ADV325	31~60	260	10	5	210	190	170	13	14	35	30	16	5	25	55	45	28	7
	ADV330	61~100	350	12	5	250	225	200	14	19	45	40	21	5	30	65	55	33	7
	ADV335	110~180	385	13	5	280	255	230	15	24	50	45	27	7	35	70	60	38.5	10
1HP4P (0.75kW)	ADV230	4~30	325	12	5	250	225	200	14	19	45	40	21	5	30	65	55	33	7
	ADV230	31~60	350	12	5	250	225	200	14	19	45	40	21	5	30	65	55	33	7
	ADV335	61~100	385	13	5	280	255	230	15	24	50	45	27	7	35	70	60	38.5	10
	ADV340	110~180	405	15	5	310	280	250	15	24	50	45	31	7	40	75	65	43.5	10
2HP4P (1.5kW)	ADV230	4~10	325	12	5	250	225	200	14	19	45	40	21	5	30	65	55	33	7
	ADV235	11~30	355	13	5	280	255	230	15	24	50	45	27	7	35	70	60	38.5	10
	ADV335	31~60	385	13	5	280	255	230	15	24	50	45	27	7	35	70	60	38.5	10
	ADV340	61~100	405	15	5	310	280	250	15	24	50	45	31	7	40	75	65	43.5	10
	ADV345	110~180	450	15	5	350	320	290	15	28	55	50	35.5	7	45	80	70	48.5	12
3HP4P (2.2kW)	ADV235	4~10	355	13	5	280	255	230	15	24	50	45	27	7	35	70	60	38.5	10
	ADV240	11~30	370	15	5	310	280	250	15	24	50	45	31	7	40	75	65	43.5	10
	ADV340	31~60	405	15	5	310	280	250	15	24	50	45	31	7	40	75	65	43.5	10
	ADV345	61~100	450	15	5	350	320	290	15	28	55	50	35.5	7	45	80	70	48.5	12
	ADV350	110~180	520	17	5	400	370	340	18	32	60	55	35.5	10	50	90	80	53.5	12
5HP4P (3.7kW)	ADV240	4~10	370	15	5	310	280	250	15	24	50	45	31	7	40	75	65	43.5	10
	ADV245	11~30	410	15	5	350	320	290	15	28	55	50	35.5	7	45	80	70	48.5	12
	ADV345	31~60	450	15	5	350	320	290	15	28	55	50	35.5	7	45	80	70	48.5	12
	ADV350	61~100	520	17	5	400	370	340	18	32	60	55	35.5	10	50	90	80	53.5	12
	ADV360	110~180	535	18	5	450	410	380	18	32	60	55	35.5	10	60	95	85	63.5	15
7.5HP4P (5.5kW)	ADV245	4~10	410	15	5	350	320	290	15	28	55	50	35.5	7	45	80	70	48.5	12
	ADV250	11~30	460	17	5	400	370	340	18	32	60	55	35.5	10	50	90	80	53.5	12
	ADV350	31~60	520	17	5	400	370	340	18	32	60	55	35.5	10	50	90	80	53.5	12
	ADV360	61~100	535	18	5	450	410	380	18	32	60	55	35.5	10	60	95	85	63.5	15
10HP4P (7.5kW)	ADV250	4~10	460	17	5	400	370	340	18	32	60	55	35.5	10	50	90	80	53.5	12
	ADV260	11~30	475	18	5	450	410	380	18	32	60	55	35.5	10	60	95	85	63.5	15
	ADV360	31~60	535	18	5	450	410	380	18	32	60	55	35.5	10	60	95	85	63.5	15
	ADV365	61~120	551	27	7	470	425	380	20	42	110	80	46	12	65	102	90	70	15
15HP4P (11kW)	ADV260	4~10	475	18	5	450	410	380	18	32	60	55	35.5	10	60	95	85	63.5	15
	ADV270	11~30	570	20	5	510	460	420	21	42	80	70	45.5	12	70	110	100	74.5	18
	ADV365	31~60	551	27	7	470	425	380	20	42	110	80	46	12	65	102	90	70	15
	ADV375	61~120	674	30	7	585	520	450	21	42	110	80	46	12	75	122	100	82.5	20
20HP4P (15kW)	ADV270	4~10	570	20	5	510	460	420	21	42	80	70	45.5	12	70	110	100	74.5	18
	ADV275	10~30	674	30	7	585	520	450	21	42	110	80	46	12	75	122	100	82.5	20
	ADV375	31~60	674	30	7	585	520	450	21	42	110	80	46	12	75	122	100	82.5	20
	ADV410	60~120	734	34	7	590	550	500	28	48	110	80	52	14	100	143	125	109	28
30HP4P (22kW)	ADV275	4~10	674	30	7	585	520	450	21	42	110	80	46	12	75	122	100	82.5	20
	ADV410	11~60	734	34	7	590	550	500	28	48	110	80	52	14	100	143	125	109	28
	ADV415	61~120	769	38	7	660	610	560	28	55	110	80	60	16	115	150	135	127	32
40HP4P (30kW)	ADV410	4~10	734	34	7	590	550	500	28	48	110	80	52	14	100	143	125	109	28
	ADV415	11~60	769	38	7	660	610	560	28	55	110	80	60	16	115	150	135	127	32
50HP4P (37kW)	ADV415	4~10	769	38	7	660	610	560	28	55	110	80	60	16	115	150	135	127	32

* For Higher gear ratio or larger model, contact Varitron® or your sales personal. 如需更高減速比或馬力請洽中國變速。

POWER TRANSMISSION INDEX

A1

Cycloidal Drive Reducer

賽驅樂減速機

HM



Pg.A47

HX



Pg.A55

H



Pg.A61

VM



Pg.A64

VX



Pg.A72

V



Pg.A78

Page
A01~A82

A2

RV Precision Cycloidal Gear

高精密擺線減速機

RV-E



Pg.A84

RV-C



Pg.A84

Page
A83~A84

B1

Precision Planetary Gearbox

精密行星減速機

DA



Pg.B06

DG



Pg.B08

DGT



Pg.B10

DM



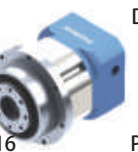
Pg.B12

DML



Pg.B14

DF



Pg.B16

DH



Pg.B18

DL



Pg.B20

DN



Pg.B22

RAM-S



Pg.B24

RAM-SS



Pg.B25

RAM-H



Pg.B26

RAM-D



Pg.B27

RAM-F



Pg.B28

RAH-S



Pg.B30

RAH-SS



Pg.B31

RAH-H



Pg.B32

RAH-D



Pg.B33

RAH-F



Pg.B34

HRP



Pg.B38

HRP-H



Pg.B39

Page
B01~B39

B2

Planetary Gear Reducer

遊星式減速機

HF



Pg.B47

VF



Pg.B48

HS



Pg.B49

VS



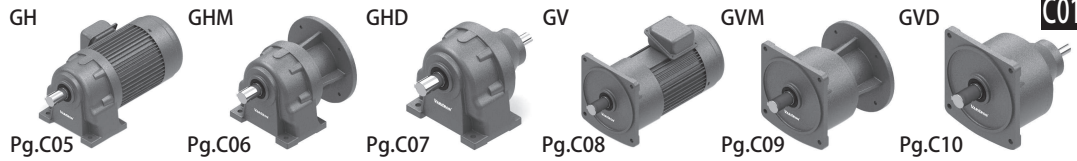
Pg.B50

Page
B40~B51

C1

Compact Helical Gear Motor Reducers

小型齒輪減速機



Page
C01~C10

C2

Helical Gear Motor Reducers

齒輪減速機



Page
C11~C16

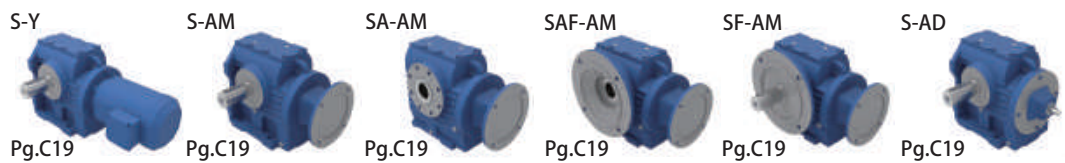
C3

SEW Type Gear Reducer

歐規齒輪減速機



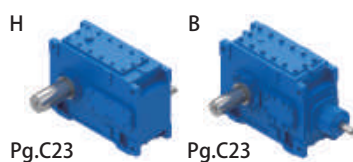
Page
C18~C21



C4

Industrial Helical Bevel Gearbox

齒輪箱



Page
C22~C23

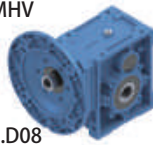
POWER TRANSMISSION INDEX

D1

NMHV Hypoid-Helical Gear Reducer

萬向螺旋齒輪減速機

NMHV



Pg.D08

NHV



Pg.D09

Page
D01~D09

D2

NMRV Worm Gear Reducer

萬向蝸輪減速機

NMRV



Pg.D20

NMRV-NMRV



Pg.D21

NRV



Pg.D22

NRV-NMRV



Pg.D22

PC-NMRV



Pg.D23

Page
D10~D25

D3

Worm Gear Speed Reducer

蝸輪減速機

HW



Pg.D33

HMW



Pg.D34

HOM



Pg.D35

LW



Pg.D36

LMW



Pg.D37

HOW



Pg.D38

Page
D26~D53

LOW



Pg.D38

VW



Pg.D39

VMW



Pg.D40

VOW



Pg.D41

VOM



Pg.D42

UW



Pg.D43

UMW



Pg.D44

TW



Pg.D45

TMW



Pg.D45

TOW



Pg.D46

TOM



Pg.D46

VOF



Pg.D47

VOFM



Pg.D47

LH



Pg.D48

LHM



Pg.D48

LOH



Pg.D49

LOHM



Pg.D49

VH



D50

UH



Pg.D50

VHM



Pg.D51

UHM



Pg.D51

VOH



Pg.D52

VOHM



Pg.D52

E1

Disco Speed Variator

無段變速機



Pg.E07

Pg.E07

Pg.E07

Pg.E07

Pg.E07



Pg.E08

Pg.E08

Page
E01~E08

E2

Belt Stepless Variable Speed Drive

皮帶變速機



Pg.E09

Pg.E10

Page
E09~E10

E3

Five Steps Buffered Speed Changer

五段緩衝式變速機



Pg.E11

Page
E11

E4

PIV Chain Variable Speed Drive

鍊條無段變速機



Pg.E13

Pg.E13

Page
E12~E14

F1

Spiral Bevel Gear Box

十字轉向機



Pg.F03

Page
F01~F03

F2

Spiral Screw Rod Actuators

螺桿升降機



Pg.F06

Pg.F06

Page
F05~F07

G

Induction Electric Motor

感應馬達



Pg.G06

Pg.G07

Pg.G09

Pg.G10

Pg.G10

Page
G01~G10

H

Agitator Mixer

攪拌機



Pg.H05

Pg.H06

Pg.H07

Pg.H08

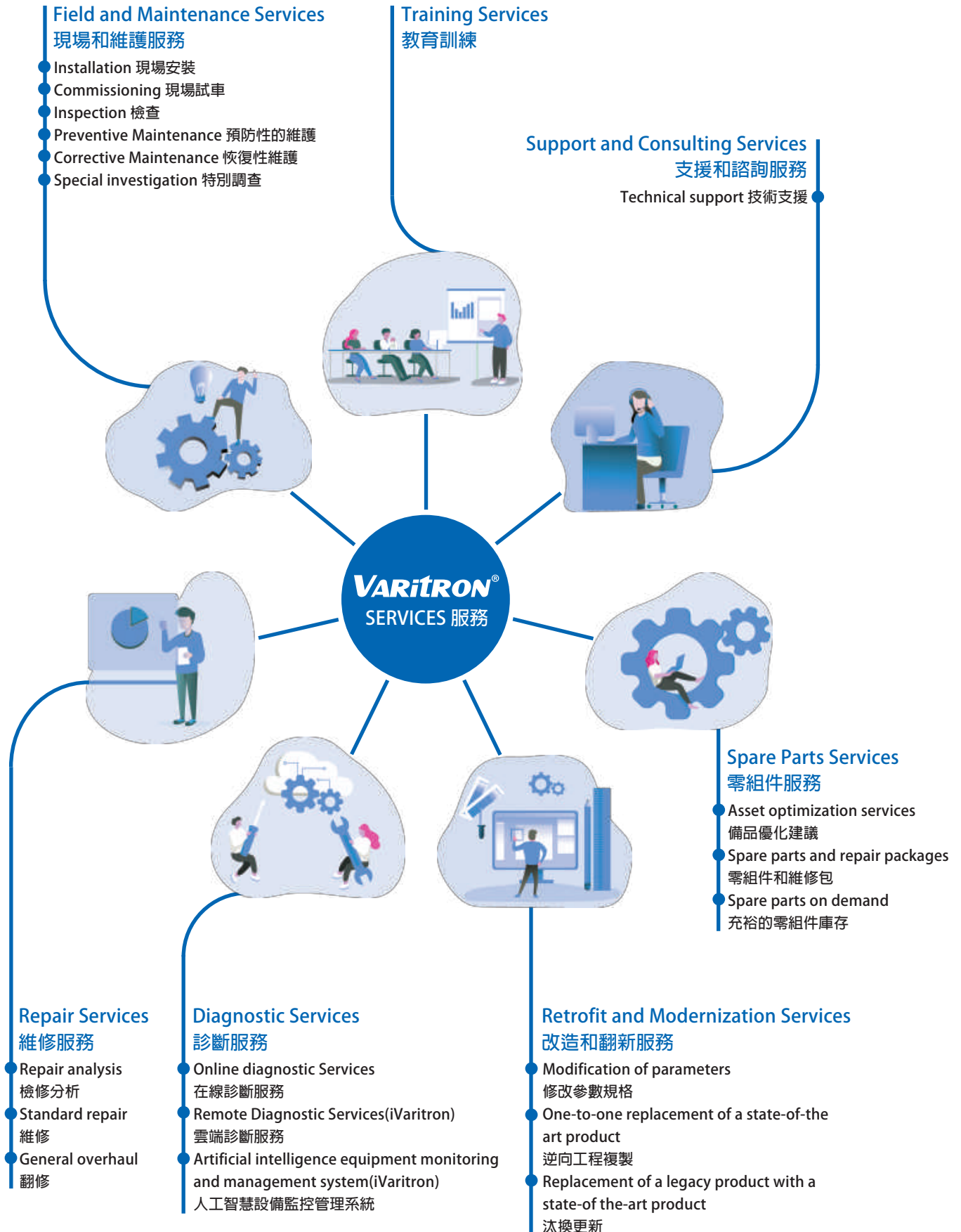
Pg.H09

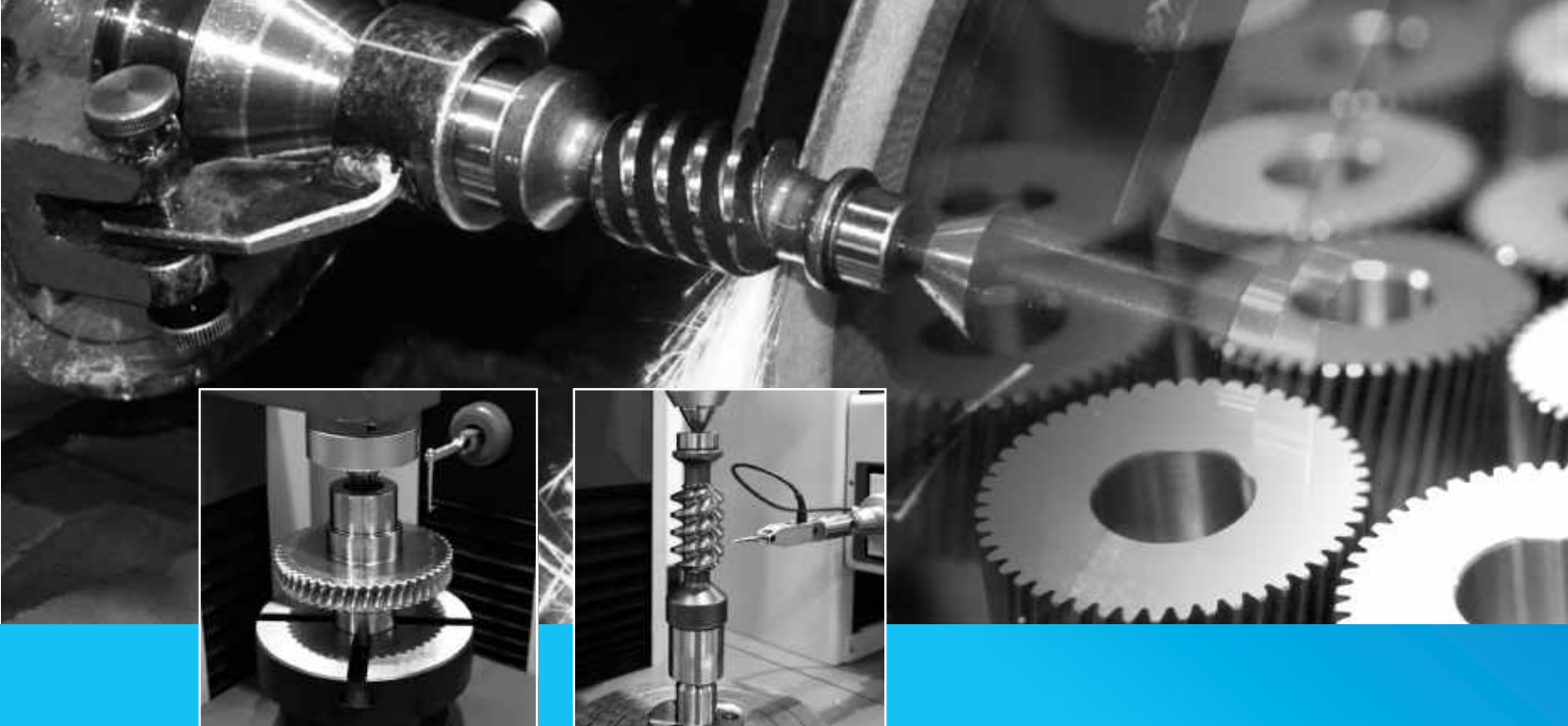
Pg.H10

Page
H01~H10

VARITRON® Total Solution for Transmission Units

全方位的驅動產品服務





MADE IN TAIWAN

Service perfection, Quality superiority, Research and Development are the core enterprise spirits of VARITRON since 1971. Responding to both domestic customers and international market demands, we never stop to make innovation for gearbox function, efficiency and quality improvement, accompany with accurate and in-time after service. To improve quality control, VARITRON has been certified with ISO9001 since 2008.

Varitron wide power transmission product line including Cycloidal Drive, Precision Planetary Gearbox, Helical Gearmotor, Planetary Gear Reducers, Worm Gearbox, Variator and Induction Motor provides different industries sectors including CNC Machineries, Semi-conductor, Chemical, Steel Industries, Factory facilities, Automation Machineries, robo-tic arm With Varitron strong mechanical engineering team, Varitron provides customizes transmission gearbox and many newly innovated pattern products.

Service

Towards Varitron's Half-century, we serve more than 40 countries. VARITRON has more than 10 service points in cooperation with regional agents globally to timely assist our customers not only for hardware, like parts and maintenance, but also for software, like design consultant

Quality

Quality Perfection is Varitron's core value, new machinery and quality check equipment is deploy in the manufacturing. Minimum 30 quality check point is done from raw material to final gearbox. In-house testing laboratory, ISO9001 and ISO14001 quality control system to ensure every gearbox meets perfection.

Innovation

Our specialized R&D teams constantly developing new gearbox, gear motor and motors for effectively fabricating transmission products, and working to improve machine quality. VARITRON never stops doing market surveys and attending international exhibitions. With decades of knowledge accumulated about market information and changes in machineries trends, we can provide the most valuable information to our clients and assist our clients in industrial upgrading.



VARITRON®
Take Control In Speed

「服務」、「品質」、「研發」是中國變速工程股份有限公司自1971年成立以來一直秉持的核心精神。為因應國際多元化的市場需求，我們不斷挑戰速度及品質的極限亦擁有領先且精密的技術，在近半世紀的努力下，終於從一家國內的減速機工廠蛻變為國際優秀的工業自動化領導品牌。

本公司生產之減速機種類多元，包含賽驅樂減速機、低背隙行星減速機、齒輪減速機、遊星式減速機、蝸輪減速機、無段變速機、攪拌機系列等等，其工業品上的應用更是跨足不同產業，從CNC自動化、汙水處理廠、造紙廠、機械手臂、半導體及到化工廠等等…。為了滿足客戶各項傳動需求，我們尚提供客製化技術，為客戶量身打造一套屬於自己的產品，為客戶節省更多測試及人力成本。

我們具有性能卓越的獨家技術、不斷研發的專利產品，同時還有完善的售前/後服務，才能讓本公司於眾多製造廠商中脫穎而出。

服務

經過半世紀的努力，我們的客戶已超過40個國家，為因應海外市場龐大的業務量及秉持服務品質不縮水的精神，我們已在海外增設多個據點，提供給客戶更即時性的服務。

品質

因為品質的堅持是我們最重要的信念，所以本公司引進最新型、最先進的技術及機器，生產的每樣產品從原料到成品皆須歷經30道以上的檢驗關卡，我們希望透過最嚴謹的製造流程，來確保品質的無虞，並致力通過ISO9001及ISO14001的認證。除證實我們對於品質與自我的要求外，更帶領我們達到積極追求的目標 - 「提供高效率且環境友善的產品」，為環境永續更盡一份心力。

研發

本公司憑藉著永續經營、鍥而不捨的研發精神，不斷吸納專業人才、研發新技術，並努力拓銷至國際市場(韓國、日本、東南亞、澳洲、美國及歐洲等四十多個國家)，歡迎您來體驗中國變速所帶給您的傳動新感受。

www.varitron.com.tw
www.c-var.com

台灣 中國變速工程股份有限公司
Varitron Engineering (Taiwan) Co., Ltd.

台灣新北市五股區中興路一段171巷45號
No.45, Ln.171, Sec.1, Zhongxing Rd.,
Wugu Dist., New Taipei City, Taiwan
TEL:+886-2-2988-9598
FAX:+886-2-2985-0998
EMAIL:sales@c-var.com

