

**VARITRON<sup>®</sup>**  
Take Control In Speed

**驅動科技系列產品**  
*Power Transmission Technologies*



# Compact Design Helical Gear Motor Reducers

## 小型齒輪減速機

Varitron Compact design helical gear motor reducers series are easy installation with low noise, high efficiency, light weight and compact design with satisfactory functions. The cutting edge technology provided by Varitron contributes gear motor to be silence, high gear efficiency and easy maintenance.

中國變速齒輪減速機根據日本JIS國家標準專業設計之齒輪，高效率、高強度、低噪音。零件精加工更加靜音，傳動效率提高。高效率緊湊設計齒輪減速機，體積小、重量輕、免保養、低噪音、優化設計。

### 品質與低噪音

每台由中國變速公司生產製造之齒輪減速機，均經過運轉測試，確保噪音值絕對低於標準值內。

### 高壽命&高精度加工

所有齒輪及軸心均採以CNC電腦數控工具機精密加工。再施以熱處理加工，達到高耐用度以及不會有長期使用後產生間隙過大之問題。而且經熱處理的特殊鋼材更能夠維持長時間使用下依然低噪音的優點。

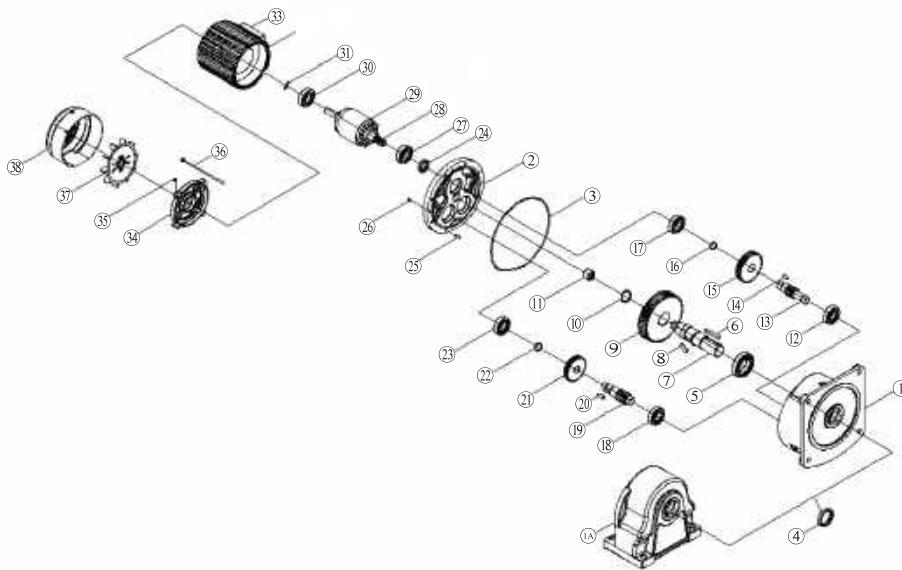
### Quality & Silence

Every Gear Motor manufactured by Varitron, goes through a series of running tests to confirm within quality standard.

### Long service life with high precision manufacturing

Gears and shaft are manufactured with precision machined and carburized, then for precision tooth grinding or skiving assures long service life.

## Construction Drawing 構造圖



GH: Foot Mount Helical Gearmotor



Item 項次	Component 零組件	Item 項次	Component 零組件	Item 項次	Component 零組件
1	GV Housing 馬達	13	3 <sup>rd</sup> Pinion Gear 三段小齒輪	26	Inner Hex Screw 內六角螺絲
1A	GH Housing 臥式本體	14	Key 鍵	27	Ball Bearing 軸承
2	Housing Cover 本體蓋	15	2 <sup>nd</sup> Main Gear 二段大齒輪	28	Motor Gear Shaft 馬達齒軸
3	O-Ring O型環	16	Shaft-Circlip C型扣環	29	Rotor 轉子
4	Oil Seal 出力軸油封	17	Ball Bearing 軸承	30	Ball Bearing 軸承
5	Ball Bearing 軸承	18	Ball Bearing 軸承	31	Spring Washer 彈簧墊片
6	Key 鍵	19	2 <sup>nd</sup> Pinion Gear 二段小齒輪	32	Stator 線圈
7	Output Shaft 出力軸	20	Key 鍵	33	Terminal Box 接線盒
8	Key 鍵	21	1 <sup>st</sup> Main Gear 一段大齒輪	34	Back Shield 馬達後蓋
9	3 <sup>rd</sup> Main Gear 三段大齒輪	22	Shaft-Circlip C型扣環	35	Fan Cover Screw 風罩螺絲
10	Shaft-Circlip C型扣環	23	Ball Bearing 軸承	36	Motor Screw 線圈螺絲
11	Self-lubricated Bearing 自潤軸承	24	Oil Seal 入力軸油封	37	Cooling Fan 風扇葉片
12	Ball Bearing 軸承	25	Pin 圓柱銷	38	Fan Cover 風罩

## How to order 選型

# GH 28 - 400 - 60 - B - S - T1

①      ②      ③      ④      ⑤ Option 選配      ⑥      ⑦

①	Model 型式	<b>GH:</b> Foot Mount Helical Gearmotor 腳座型齒輪減速馬達 <b>GHM:</b> Foot Mount Helical Gear Reducer with Adaptor 腳座直結型齒輪減速機 <b>GHD:</b> Foot Mount Helical Gear Reducer with Input Shaft 腳座入力軸型齒輪減速機 <b>GV:</b> Flange Mount Helical Gearmotor 法蘭型齒輪減速馬達 <b>GVM:</b> Flange Mount Helical Gear Reducer with Adaptor 法蘭直結型齒輪減速機 <b>GVD:</b> Flange Mount Helical Gear Reducer with Input Shaft 法蘭入力軸型齒輪減速機 <b>GVV:</b> Helical Gear Motor Agitator 齒輪攪拌機
②	Frame Size 型號	18,22,28,32,40,50 ... Refer to each model. 請參考各形式頁面
③	Motor Power 馬力 (W)	75,100,200,400,550,750,1500,2200,3700
④	Ratio 減速比	Refer to Performance Chart page C03~C04. 請參考性能表第 C03~C04 頁
⑤	Suffix 特殊 (Option 選配)	<b>Empty if non</b> 無記號：無特殊 <b>B:</b> With Brake 附剎車 <b>AVM:</b> Speed Variator 無段變速機 <b>BC:</b> With Brake and Clutch 剎車離合器 <b>AV:</b> Inverter Motor 變頻馬達 <b>DC:</b> DC motor 直流馬達 <b>EP:</b> IE3 Premium Efficiency 超高效率馬達 <b>F:</b> External Fan 獨立風扇 <b>S:</b> Special 特殊
⑥	Voltage 電壓	<b>A:</b> 1-Phase 單相 110/220V, 50/60Hz <b>S1:</b> 3-Phase 三相 220/380V, 50/60Hz <b>S3:</b> 3-Phase 三相 220/440V, 50/60Hz <b>S2:</b> 3-Phase 三相 208/415V, 50/60Hz <b>S4:</b> Others 其他
⑦	Terminal Box Direction 電器盒方向	T1 (Standard 標準), T2, T3, T4

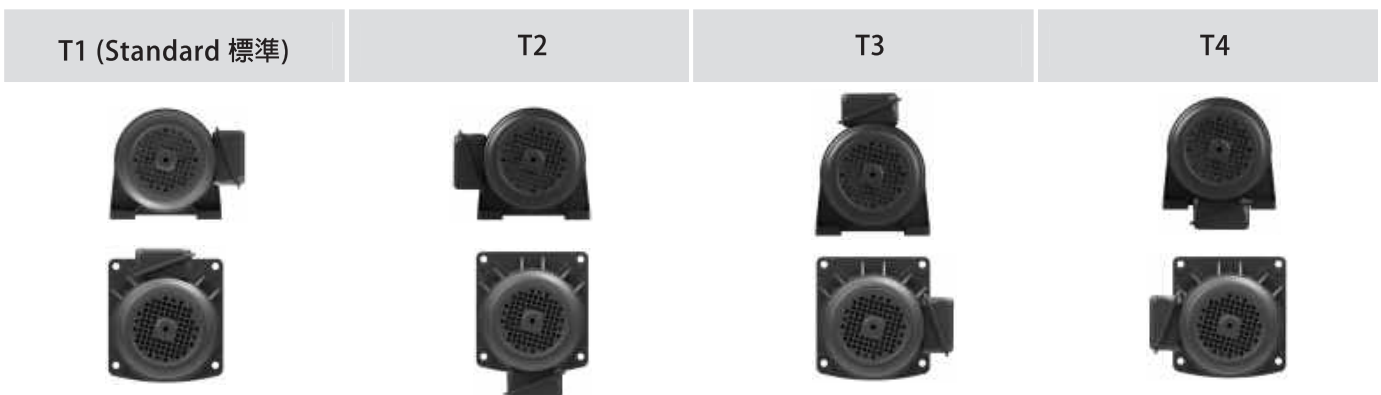
※ For GVV Helical Gear Motor Agitator details, refer to Agitator. GVV 齒輪攪拌機詳細規格內容請參考攪拌機頁面。

※ Dimensions and specifications in the catalog are subject to change without notice. 尺寸及規格若有變動，將不另行通知。

## Model 型式 ①



## Terminal Box Direction 電器盒方向 ⑦



## Gearmotor Performance Chart 齒輪減速馬達性能表 <sup>(4)</sup>

Frame Size 型號	W (HP)	Nominal Ratio 公稱減速比	Actual Ratio 實際減速比	Output RPM 輸出轉速		Output Torque 輸出扭矩 kgf.m		Frame Size 型號	W (HP)	Nominal Ratio 公稱減速比	Actual Ratio 實際減速比	Output RPM 輸出轉速		Output Torque 輸出扭矩 kgf.m	
				50Hz	60Hz	50Hz	60Hz					50Hz	60Hz	50Hz	60Hz
				18	100 (1/8)	3	3.1					436	532	0.17	0.13
4	3.9	346	423			0.24	0.19	5	5.1	271	329	1.20	1.00		
5	5.0	270	330			0.30	0.25	6	6.3	219	267	1.48	1.24		
8	7.4	182	223			0.46	0.38	7	7.3	189	230	1.80	1.50		
10	10.3	131	160			0.60	0.50	8	8.3	166	202	1.92	1.60		
13	13.2	102	125			0.74	0.66	10	10.4	133	161	2.40	2.00		
15	15.0	90	110			0.90	0.75	100	105.8	12.8	15.6	11.6	9.70		
200 (1/4)	20	21.0	64.3		78.6	1.20	1.00	200 (1/4)	120	123.9	10.9	13.3	14.0	11.6	
	25	26.8	50.4		61.6	1.50	1.20		140	138.4	9.8	11.9	15.7	13.1	
	30	32.1	42.1		51.4	1.80	1.50		150	152.3	8.9	10.8	17.5	14.6	
	40	41.1	32.8		40.1	2.30	1.90		180	181.1	7.5	9.1	20.9	17.4	
	50	49.1	27.5		33.6	2.90	2.40		200	199.3	6.8	8.28	23.0	19.1	
	3	3.1	436		532	0.30	0.25		400 (1/2)	15	15.6	88.5	108	3.60	3.00
	4	3.9	346		423	0.45	0.38			20	20.1	68.7	83.6	4.80	4.00
5	5.0	270	330	0.60	0.50	25	25.7	53.7		65.4	6.00	5.00			
8	7.4	182	223	0.93	0.76	30	30.9	44.7		54.4	7.20	6.00			
10	10.3	131	160	1.20	1.00	35	36.2	38.1		46.4	8.40	7.00			
60	61.1	22.1	27	3.50	2.90	40	39.8	34.7		42.2	9.30	7.80			
75	75.2	18.0	21.9	4.40	3.60	50	53.3	25.9		31.5	11.6	9.70			
22	100 (1/8)	80	83.4	16.2	19.8	4.80	4.00	28	400 (1/2)	60	59.6	23.2	28.2	14.0	11.6
		90	95.9	14.1	17.2	5.31	4.46			70	68.8	20.1	24.4	16.2	13.4
		100	106.4	12.7	15.5	5.80	4.90			80	76.9	17.9	21.8	17.5	14.6
		110	106.9	12.6	15.4	5.82	4.92			90	88.1	15.7	19.1	20.0	16.7
		120	118.7	11.4	13.9	7.00	5.80			3	3.1	452	548	1.60	1.00
		140	144.4	9.3	11.4	9.60	8.00			5	4.9	286	347	2.30	1.90
		160	161.1	8.4	10.2	10.7	8.90			7	7.1	197	239	3.28	2.83
		180	178.7	7.6	9.2	11.7	9.87			10	10.5	133	162	4.50	3.80
		15	15.4	87.7	107.1	1.80	1.50			13	13.6	103	125	5.39	4.46
		20	20.3	66.5	81.3	2.40	2.00			15	17.4	80.5	97.7	6.90	5.70
	200 (1/4)	25	25.1	53.8	65.7	3.00	2.50	750 (1)	20	20.9	67.0	81.3	9.10	7.50	
		30	31.9	42.3	51.7	3.60	3.00		25	24.5	57.1	69.4	11.3	9.40	
		35	35.6	37.9	46.3	4.10	3.45		30	27.1	51.7	62.7	13.6	11.3	
		40	39.9	33.8	41.4	4.60	3.90		100	99.1	13.9	17	23.3	19.4	
		45	46.4	29.1	35.6	5.40	4.50		110	110.5	12.5	15.2	25.6	21.3	
		50	51.5	26.2	32	5.80	4.80		120	123.8	11.1	13.6	28.0	23.3	
		60	61.1	22.1	27	7.00	5.80		130	131.1	10.5	12.8	31.8	26.2	
		75	75.2	18.0	21.9	8.70	7.30		150	146.2	9.4	11.5	35.5	29.2	
		80	83.4	16.2	19.8	9.60	8.00		160	163.8	8.4	10.3	39.7	32.6	
		90	95.9	14.1	17.2	9.90	8.20		180	182.1	7.6	9.2	43.0	36.0	
		200	204.1	6.8	8.23	43.0	36.0		32	400 (1/2)					

\* For higher ratio, contact Varitron® or your sales personal. 如需更高減速比，請洽中國變速。

# Gearmotor Performance Chart 齒輪減速馬達性能表 ④

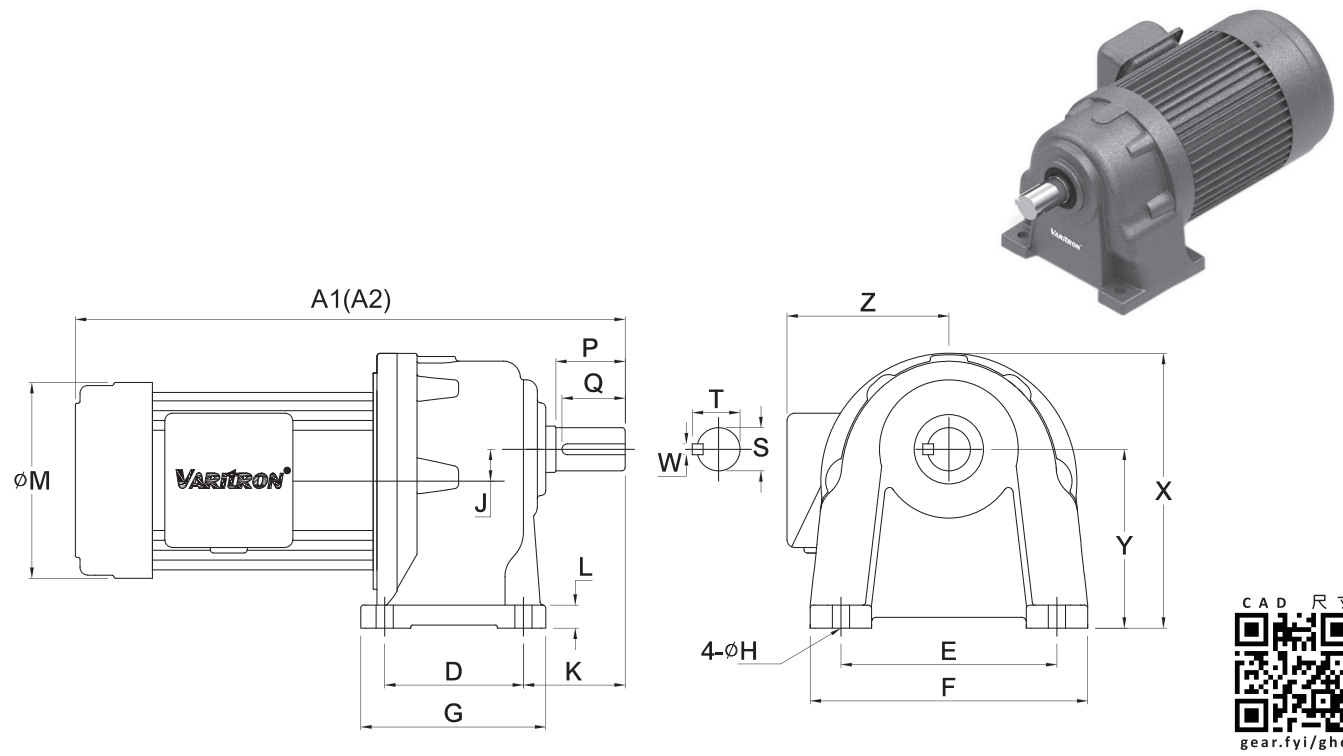
Frame Size 型號	W (HP)	Nominal Ratio 公稱減速比	Actual Ratio 實際減速比	Output RPM 輸出轉速		Output Torque 輸出扭矩 kgf.m		Frame Size 型號	W (HP)	Nominal Ratio 公稱減速比	Actual Ratio 實際減速比	Output RPM 輸出轉速		Output Torque 輸出扭矩 kgf.m	
				50Hz	60Hz	50Hz	60Hz					50Hz	60Hz	50Hz	60Hz
32	750 (1)	40	40.1	35.0	42.4	17.5	14.6	40	2200 (3)	10	10.7	132	161	13.4	11.2
		50	51.3	27.3	33.1	21.9	18.3			15	15.3	92.2	112	20.0	16.8
		60	64.2	21.8	26.5	26.3	21.9			20	21.3	66.2	80.8	26.8	22.4
		70	67.3	20.8	25.3	29.5	24.6			25	27.7	50.9	62.1	33.6	28.0
		75	75.1	18.6	22.6	32.9	27.4			30	29.7	47.5	57.9	40.0	33.0
		80	84.2	16.6	20.2	36.5	30.6			40	40.7	34.6	42.3	52.0	43.0
		100	99.1	14.1	17.2	43.0	36.0			45	46.3	30.7	37.4	56.3	46.7
		110	110.5	12.7	15.4	47.9	40.0			50	53.5	26.4	32.5	65.0	54.0
	1500 (2)	120	123.8	11.3	14	52.0	43.0		60	66.5	21.2	25.9	78.0	65.0	
		3	3.1	455	555	2.50	2.00		3700 (5)	4	4.1	346	422	6.0	5.5
		5	5.1	276	337	4.50	3.70			5	5.1	278	339	10.0	9.0
		8	7.8	181	221	6.75	5.60			8	7.8	182	222	15.3	13.8
		10	10.3	137	167	9.00	7.50			10	10.7	133	162	20.0	18.0
		15	15.1	93.4	114	13.6	11.3			15	15.3	92.8	113	32.0	30.0
20	20.1	70.1	85.6	18.0	15.1	20	21.3	66.7		81.2	43.0	36.0			
40	750 (1)	25	25.1	56.2	68.5	22.6	18.9	50	1500 (2)	25	27.7	51.3	62.5	54.0	50.0
		30	32.1	44.0	53.6	27.2	22.6			125	124.4	11.3	13.8	105	88.0
		120	119.4	11.7	14.2	52.0	43.0			140	138.9	12.4	12.4	115	97.4
		140	136.1	10.3	12.5	56.9	47.2			160	156.9	9.0	11.0	130	110
		150	155.6	9.0	10.9	65.0	54.0			180	172.9	8.2	9.9	143	121
		160	157.2	8.9	10.8	74.7	71.7			200	195.2	7.2	8.8	165	145
	1500 (2)	180	177.2	7.9	9.59	78.0	73.0		2200 (3)	75	75.1	18.8	22.9	98.0	85.0
		200	204.7	6.8	8.3	78.0	73.0			80	79.0	17.8	21.8	105	93.4
		30	31.4	44.9	55	27.2	22.6			90	88.2	16.0	19.5	115	100
		40	40.9	34.5	42.1	35.0	29.1			100	99.6	14.2	17.3	126	105
		50	49.9	28.3	34.5	43.7	36.4			110	109.8	12.8	15.7	143	124
		55	53.5	26.4	32.1	46.9	39.0			120	124.1	11.4	13.9	150	145
		60	60.1	23.5	28.6	52.0	43.0			30	30.2	47.0	57.3	56.0	59.0
		70	68.4	20.6	25.1	57.2	47.7			40	40.2	35.3	43.0	86.0	79.0
2200 (3)	80	78.9	17.9	21.8	66.0	55.0	3700 (5)	50	50.7	28.0	34.1	106	98.0		
	90	86.1	16.4	19.9	72.0	60.0		60	59.5	23.9	29.1	126	115		
	100	98.1	14.4	17.5	87.0	73.0		75	75.1	18.9	23.0	130	130		
	110	113.3	12.4	15.2	100	84.3		80	79.0	18.1	21.9	130	130		
	120	119.4	11.8	14.4	105	88.0		90	88.2	16.1	19.6	130	130		
	4	4.1	344	420	4.0	3.5		100	99.6	14.3	17.4	130	130		
5	5.1	276	337	6.7	5.6	110	109.8	12.9	15.8	130	130				
8	7.8	181	221	10.0	8.3	120	124.1	11.4	13.9	130	130				

\* For higher ratio, contact Varitron® or your sales personal. 如需更高減速比，請洽中國變速。



# GH Foot Mount Helical Gearmotor 腳座型齒輪減速馬達

## Dimensions 外型尺寸表

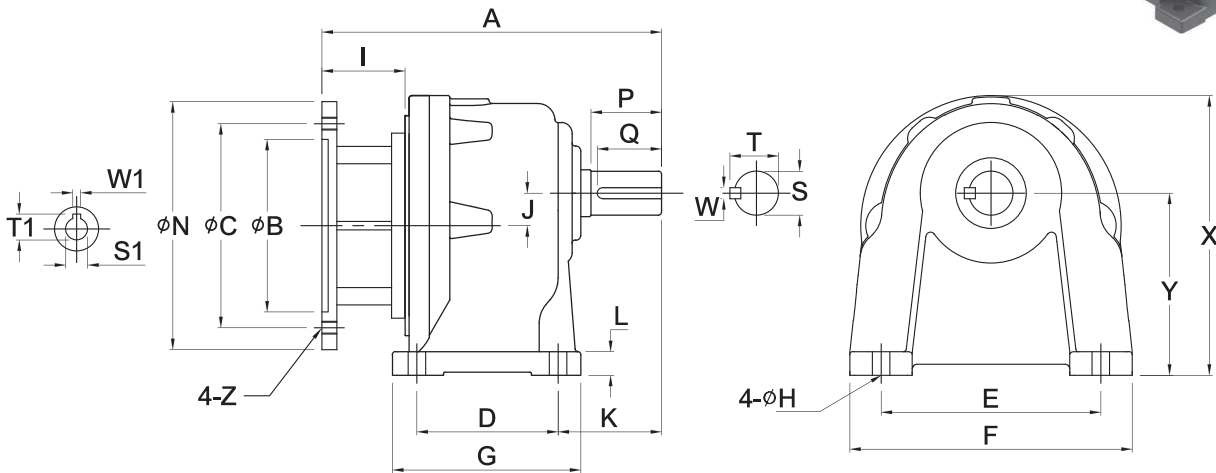


HP 馬力③ (W)	Frame Size 型號②	Ratio 減速比④	A1	A2	J	K	M	X	Y	Z	Foot Stock 腳座						Output Shaft 出力軸					Weight 重量 (kg)
											D	E	F	G	H	L	P	Q	S	T	W	
1/10HP4P (75W)	GH18	3-200	265	265	16	48	127	132	88.5	105	40	110	135	65	9	10	30	25	18	20	5	5.2
	GH22	250-1800	355	355	18.2	56	127	152	97.5	105	65	130	163	90	11	15	40	35	22	25	7	10
1/8HP4P (100W)	GH18	3-50	255	275	16	48	127	132	88.5	105	40	110	135	65	9	10	30	25	18	20	5	5.3
	GH22	60-200	285	305	18.2	56	127	152	97.5	105	65	130	163	90	11	15	40	35	22	25	7	6.9
	GH28	250-1800	385	405	20.8	66	127	180	116	105	90	140	180	120	11	15	45	40	28	31	7	12
1/4HP4P (200W)	GH18	3-10	275	295	16	48	127	132	88.5	105	40	110	135	65	9	10	30	25	18	20	5	6.7
	GH22	15-90	307	327	18.2	56	127	152	97.5	105	65	130	163	90	11	15	40	35	22	25	7	8.6
	GH28	100-200	330	350	20.8	66	127	180	116	105	90	140	180	120	11	15	45	40	28	31	7	11
	GH32	250-1800	475	485	30.2	76	127	210	138.5	105	130	170	215	160	13	20	55	50	32	35.5	10	28
1/2HP4P (400W)	GH22	3-10	327	340	18.2	56	127	152	97.5	105	65	130	163	90	11	15	40	35	22	25	7	11
	GH28	15-90	357	370	20.8	66	127	180	116	105	90	140	180	120	11	15	45	40	28	31	7	14
	GH32	100-200	385	405	30.2	76	127	210	138.5	105	130	170	215	160	13	20	55	50	32	35.5	10	26
3/4HP4P (550W)	GH40	250-1800	525	545	42.2	85	127	255	160	105	150	210	260	185	15	23	65	60	40	43.5	10	41
	GH28	3~90	360	400	20.8	66	165	180	116	125	90	140	180	120	11	15	45	40	28	31	7	14
	GH32	95~200	395	420	30.2	76	165	210	138.5	125	130	170	215	160	13	20	55	50	32	35.5	10	27
1HP4P (750W)	GH28	3-25	375	415	20.8	66	165	180	116	125	90	140	180	120	11	15	45	40	28	31	7	15
	GH32	30-120	410	435	30.2	76	165	210	138.5	125	130	170	215	160	13	20	55	50	32	35.5	10	28
	GH40	125-200	435	465	42.2	85	165	255	160	125	150	210	260	185	15	23	65	60	40	43.5	10	42
2HP4P (1500W)	GH50	250-1800	580	615	51.4	100	165	320	200	125	170	265	330	220	19	25	80	75	50	54	14	68
	GH32	3-30	440	480	30.2	76	190	210	138.5	145	130	170	215	160	13	20	55	50	32	35.5	10	32
	GH40	40-120	465	500	42.2	85	190	255	160	145	150	210	260	185	15	23	65	60	40	43.5	10	46
3HP4P (2200W)	GH50	125-180	515	555	51.4	100	190	320	200	145	170	265	330	220	19	25	80	75	50	54	14	71
	GH40	4-60	495	-	42.2	85	215	255	160	160	150	210	260	185	15	23	65	60	40	43.5	10	48
5HP4P (3700W)	GH50	70-120	530	-	51.4	100	215	320	200	160	170	265	330	220	19	25	80	75	50	54	14	73
	GH40	4-25	510	-	42.2	85	215	255	160	160	150	210	260	185	15	23	65	60	40	43.5	10	50
	GH50	30-120	545	-	51.4	100	215	320	200	160	170	265	330	220	19	25	80	75	50	54	14	75

※ A1: 3-Phase Motor. 三相馬達尺寸。 ※ A2: Single Phase Motor. 單相馬達尺寸。  
 ※ For larger model sizes, refer to Helical Gear Motor Reducers Series. 如需更大馬力規格請參考齒輪減速機系列。  
 ※ For brake model contact Varitron®. 如需齒輪減速機剎車馬達尺寸, 請洽中國變速。

# GHM Foot Mount Helical Gear Reducer with Adaptor 腳座直結型齒輪減速機

## Dimensions 外型尺寸表

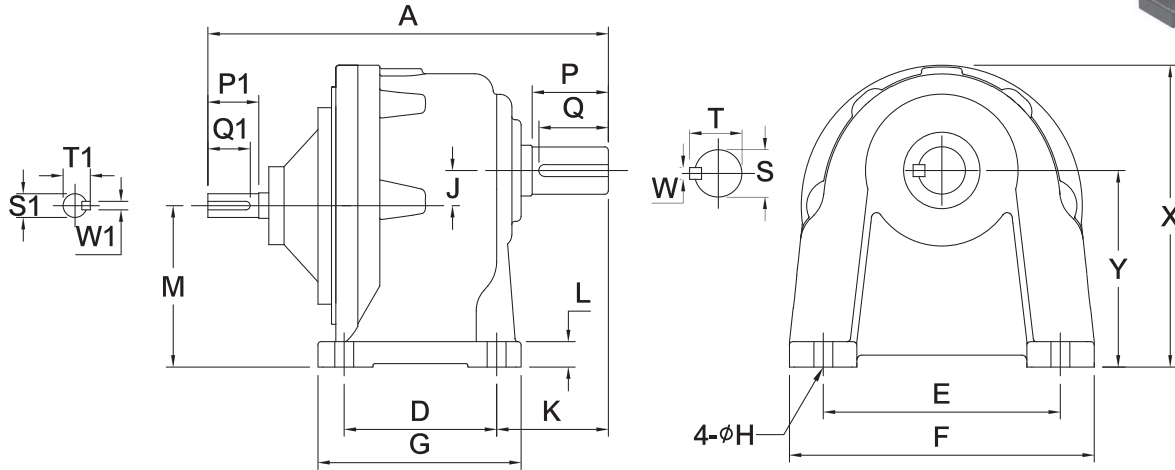


HP 馬力③ (W)	Frame Size 型號②	Ratio 減速比 ④	A	J	K	X	Y	Foot Stock 腳座					IEC Motor Flange 入力馬達盤					Input Bore 入力孔			Output Shaft 出力軸					Weight 重量 (kg)	
								D	E	F	G	H	L	B	C	N	Z	I	S1	T1	W1	P	Q	S	T		W
1/4HP4P (200W)	GHM18	3-10	153	16	48	132	88.5	40	110	135	65	9	10	110	130	158	M8	52.5	11	13	4	30	25	18	20	5	4
	GHM22	15-90	188	182	56	152	97.5	65	130	160	90	11	15	110	130	158	M8	52.5	11	13	4	40	35	22	25	7	6
	GHM28	100-200	216	208	66	180	116	90	140	180	120	11	15	110	130	158	M8	52.5	11	13	4	45	40	28	31	7	8
	GHM32	250-1800	353	302	76	210	138.5	130	170	215	160	13	20	110	130	158	M8	52.5	11	13	4	55	50	32	35.5	10	25
1/2HP4P (400W)	GHM22	3-10	188	182	56	152	97.5	65	130	160	90	11	15	110	130	158	M8	52.5	14	16.5	5	40	35	22	25	7	6
	GHM28	15-90	216	208	66	180	116	90	140	180	120	11	15	110	130	158	M8	52.5	14	16.5	5	45	40	28	31	7	8
	GHM32	100-200	250	302	76	210	138.5	130	170	215	160	13	20	110	130	158	M8	52.5	14	16.5	5	55	50	32	35.5	10	21
	GHM40	250-1800	395	422	85	255	160	150	210	260	185	15	23	110	130	158	M8	52.5	14	16.5	5	65	60	40	43.5	10	36
1HP4P (750W)	GHM28	3-25	240	208	66	180	116	90	140	180	120	11	15	130	165	198	M10	78	19	21.5	6	45	40	28	31	7	11
	GHM32	30-120	275	302	76	210	138.5	130	170	215	160	13	20	130	165	198	M10	78	19	21.5	6	55	50	32	35.5	10	26
	GHM40	125-200	303	422	85	255	160	150	210	260	185	15	23	130	165	198	M10	78	19	21.5	6	65	60	40	43.5	10	38
	GHM50	250-1800	442	514	100	320	200	170	265	330	220	19	25	130	165	198	M10	78	19	21.5	6	80	75	50	54	14	46
2HP4P (1500W)	GHM32	3-30	275	302	76	210	138.5	130	170	215	160	13	20	130	165	198	M10	78	24	27	8	55	50	32	35.5	10	26
	GHM40	40-120	303	422	85	255	160	150	210	260	185	15	23	130	165	198	M10	78	24	27	8	65	60	40	43.5	10	39
	GHM50	125-180	345	514	100	320	200	170	265	330	220	19	25	130	165	198	M10	78	24	27	8	80	75	50	54	14	60
3HP4P (2200W)	GHM40	4-60	320	422	85	255	160	150	210	260	185	15	23	180	215	250	M12	95	28	31	8	65	60	40	43.5	10	43
	GHM50	70-120	363	514	100	320	200	170	265	330	220	19	25	180	215	250	M12	95	28	31	8	80	75	50	54	14	60
5HP4P (3700W)	GHM40	4-25	320	422	85	255	160	150	210	260	185	15	23	180	215	250	M12	95	28	31	8	65	60	40	43.5	10	43
	GHM50	30-120	363	514	100	320	200	170	265	330	220	19	25	180	215	250	M12	95	28	31	8	80	75	50	54	14	60

※ For larger model sizes, refer to Helical Gear Motor Reducers Series. 如需更大馬力規格請參考齒輪減速機系列。

# GHD Foot Mount Helical Gear Reducer with Input Shaft 腳座入力軸型齒輪減速機

## Dimensions 外型尺寸表



HP 馬力 <sup>③</sup> (W)	Frame Size 型號 <sup>②</sup>	Ratio 減速比 <sup>④</sup>	A	J	K	M	X	Y	Foot Stock 腳座						Input Shaft 入力軸					Output Shaft 出力軸					Weight 重量 (kg)
									D	E	F	G	H	L	P1	Q1	S1	T1	W1	P	Q	S	T	W	
1/8HP4P (100W)	GHD18	3-50	173	16	48	72.5	132	88.5	40	110	135	65	9	10	30	25	14	16	5	30	25	18	20	5	3
	GHD22	60-200	207	18.2	56	79.3	152	97.5	65	130	160	90	11	15	30	25	14	16	5	40	35	22	25	7	4
1/4HP4P (200W)	GHD18	3-10	173	16	48	72.5	132	88.5	40	110	135	65	9	10	30	25	14	16	5	30	25	18	20	5	3
	GHD22	15-90	207	18.2	56	79.3	152	97.5	65	130	160	90	11	15	30	25	14	16	5	40	35	22	25	7	5
	GHD28	100-200	263	20.8	66	95.2	180	116	90	140	180	120	11	15	30	25	14	16	5	45	40	28	31	7	7
1/2HP4P (400W)	GHD22	3-10	207	18.2	56	79.3	152	97.5	65	130	160	90	11	15	30	25	14	16	5	40	35	22	25	7	6
	GHD28	15-90	263	20.8	66	95.2	180	116	90	140	180	120	11	15	30	25	14	16	5	45	40	28	31	7	7
	GHD32	100-200	300	30.2	76	108.3	210	138.5	130	170	215	160	13	20	30	25	14	16	5	55	50	32	35.5	10	19
1HP4P (750W)	GHD28	3-25	269	20.8	66	95.2	180	116	90	140	180	120	11	15	40	35	19	21.5	6	45	40	28	31	7	7
	GHD32	30-120	310	30.2	76	108.3	210	138.5	130	170	215	160	13	20	40	35	19	21.5	6	55	50	32	35.5	10	21
	GHD40	125-200	336	42.2	85	117.8	255	160	150	210	260	185	15	23	40	35	19	21.5	6	65	60	40	43.5	10	35
2HP4P (1500W)	GHD32	3-30	320	30.2	76	108.3	210	138.5	130	170	215	160	13	20	50	40	24	27.5	8	55	50	32	35.5	10	21
	GHD40	40-120	350	42.2	85	117.8	255	160	150	210	260	185	15	23	50	40	24	27.5	8	65	60	40	43.5	10	35
	GHD50	125-180	410	51.4	100	148.6	320	200	170	265	330	220	19	25	50	40	24	27.5	8	80	75	50	54	14	55
3HP4P (2200W)	GHD40	4-60	360	42.2	85	117.8	255	160	150	210	260	185	15	23	60	50	28	31	8	65	60	40	43.5	10	35
	GHD50	70-120	410	51.4	100	148.6	320	200	170	265	330	220	19	25	60	50	28	31	8	80	75	50	54	14	55
5HP4P (3700W)	GHD40	4-25	360	42.2	85	117.8	255	160	150	210	260	185	15	23	60	50	28	31	8	65	60	40	43.5	10	35
	GHD50	30-80	410	51.4	100	148.6	320	200	170	265	330	220	19	25	60	50	28	31	8	80	75	50	54	14	55

\* For larger model sizes, refer to Helical Gear Motor Reducers Series. 如需更大馬力規格請參考齒輪減速機系列。



# GV Flange Mount Helical Gearmotor 法蘭型齒輪減速馬達

## Dimensions 外型尺寸表

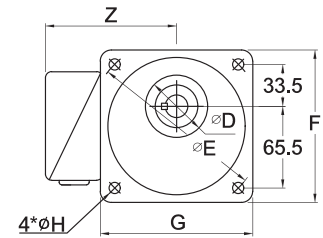
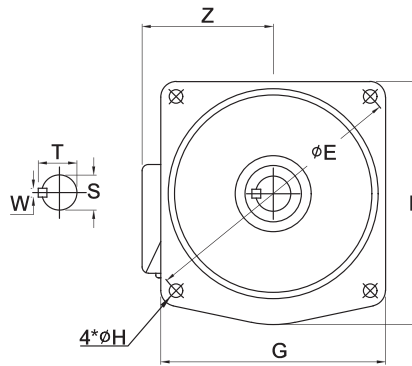
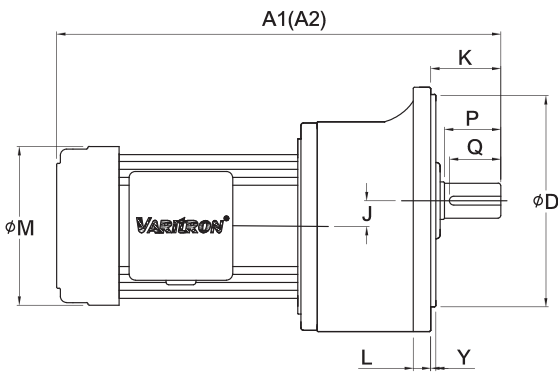
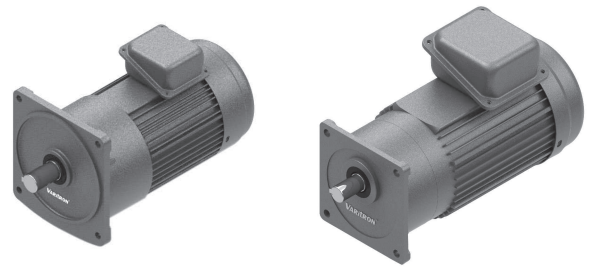


FIG. 圖 A

FIG. 圖 B



HP 馬力③ (W)	Frame Size 型號②	Ratio 減速比④	Fig. 圖	A1	A2	L	J	K	M	Y	Z	Flange 法蘭					Output Shaft 出力軸					Weight 重量 (kg)
												D	E	F	G	H	P	Q	S	T	W	
1/10HP4P (75W)	GV18	3-200	B	265	265	10	16	39	127	5	105	50	140	120	120	9	30	25	18	20	5	5.2
	GV22	250-1800	A	355	355	12	18.2	47	127	3.5	105	148	185	170	156	11	40	35	22	25	7	10
1/8HP4P (100W)	GV18	3-50	B	255	275	10	16	39	127	5	105	50	140	120	120	9	30	25	18	20	5	5.3
	GV22	60-200	A	285	305	12	18.2	47	127	3.5	105	148	185	170	156	11	40	35	22	25	7	6.9
1/4HP4P (200W)	GV28	250-1800	A	385	405	13	20.8	54	127	4	105	170	220	195	180	11	45	40	28	31	7	12
	GV18	3-10	B	275	295	10	16	39	127	5	105	50	140	120	120	9	30	25	18	20	5	6.7
1/2HP4P (400W)	GV22	15-90	A	305	325	12	18.2	47	127	3.5	105	148	185	170	156	11	40	35	22	25	7	8.6
	GV28	100-200	A	330	350	13	20.8	54	127	4	105	170	220	195	180	11	45	40	28	31	7	11
	GV32	250-1800	A	475	485	15	30.2	66	127	4	105	185	255	240	225	13	55	50	32	35.5	10	28
3/4HP4P (550W)	GV22	3-10	A	325	340	12	18.2	47	127	3.5	105	148	185	170	156	11	40	35	22	25	7	11
	GV28	15-90	A	357	370	13	20.8	54	127	4	105	170	220	195	180	11	45	40	28	31	7	14
	GV32	100-200	A	385	405	15	30.2	66	127	4	105	185	255	240	225	13	55	50	32	35.5	10	26
1HP4P (750W)	GV40	250-1800	A	525	545	20	42.2	80	127	5	105	230	310	300	275	15	65	60	40	43.5	10	41
	GV28	3~90	A	360	400	13	20.8	54	165	4	125	170	220	195	180	11	45	40	28	31	7	15
	GV32	95~200	A	395	420	15	30.2	66	165	4	125	185	255	240	225	13	55	50	32	35.5	10	28
2HP4P (1500W)	GV28	3-25	A	375	415	13	20.8	54	165	4	125	170	220	195	180	11	45	40	28	31	7	15
	GV32	30-120	A	410	435	15	30.2	66	165	4	125	185	255	240	225	13	55	50	32	35.5	10	28
	GV40	125-200	A	435	465	20	42.2	80	165	5	125	230	310	300	275	15	65	60	40	43.5	10	42
3HP4P (2200W)	GV50	250-1800	A	580	615	20	51.4	89	165	5	125	280	390	360	320	19	80	75	50	54	14	68
	GV32	3-30	A	440	480	15	30.2	66	190	4	145	185	255	240	225	13	55	50	32	35.5	10	32
5HP4P (3700W)	GV40	40-120	A	465	500	20	42.2	80	190	5	145	230	310	300	275	15	65	60	40	43.5	10	46
	GV50	125-180	A	515	555	20	51.4	89	190	5	145	280	390	360	320	19	80	75	50	54	14	71
3HP4P (2200W)	GV40	4-60	A	495	-	20	42.2	80	215	5	160	230	310	300	275	15	65	60	40	43.5	10	48
	GV50	70-120	A	535	-	20	51.4	89	215	5	160	280	390	360	320	19	80	75	50	54	14	73
5HP4P (3700W)	GV40	4-25	A	510	-	20	42.2	80	215	5	160	230	310	300	275	15	65	60	40	43.5	10	50
	GV50	30-120	A	550	-	20	51.4	89	215	5	160	280	390	360	320	19	80	75	50	54	14	75

※ A1: 3-Phase Motor. 三相馬達尺寸。 ※ A2: Single Phase Motor. 單相馬達尺寸。

※ For larger model sizes, refer to Helical Gear Motor Reducers Series. 如需更大馬力規格請參考齒輪減速機系列。

# GVM Flange Mount Helical Gear Reducer with Adaptor 法蘭直結型齒輪減速機

## Dimensions 外型尺寸表

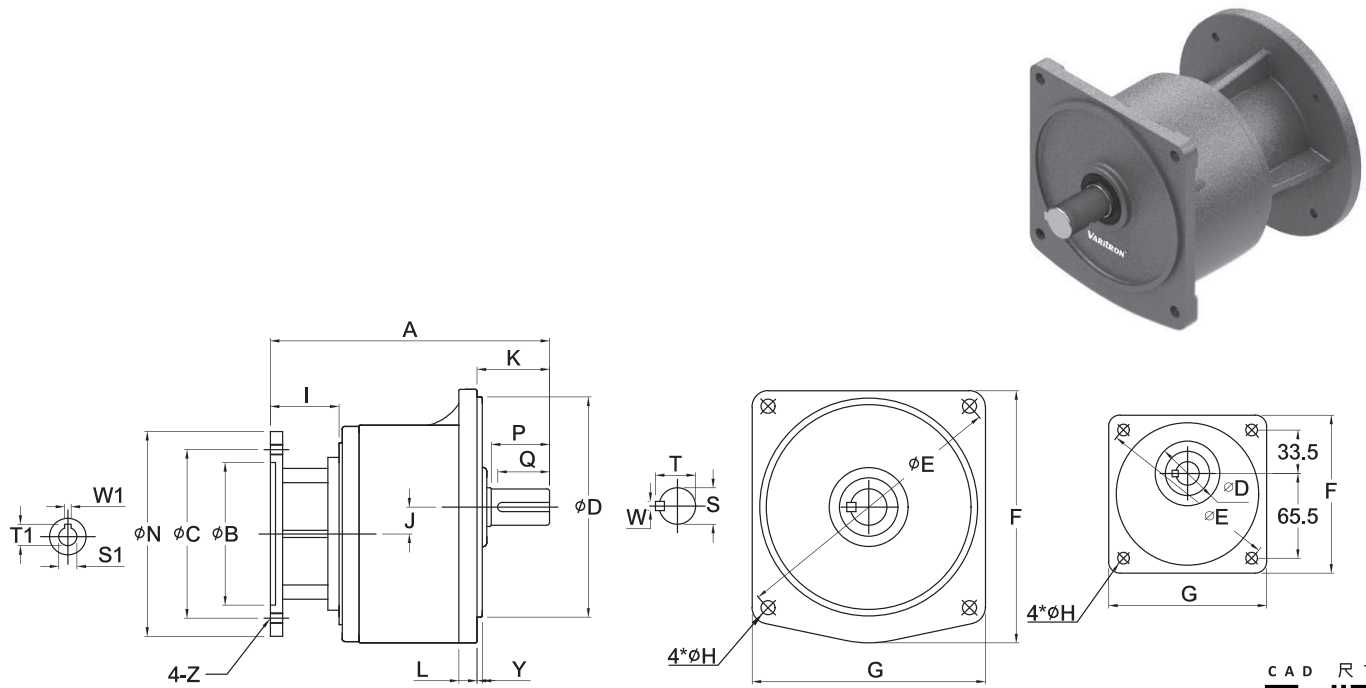


FIG.圖 A

FIG.圖 B



HP 馬力 <sup>③</sup> (W)	Frame Size 型號 <sup>②</sup>	Ratio 減速比 <sup>④</sup>	Fig. 圖	A	L	J	K	Y	Flange 法蘭					IEC Motor Flange 入力馬達盤					Input Bore 入力孔			Output Shaft 出力軸					Weight 重量 (kg)
									D	E	F	G	H	B	C	N	Z	I	S1	T1	W1	P	Q	S	T	W	
1/4HP4P (200W)	GVM18	3-10	B	153	10	16	39	5	50	140	120	120	9	110	130	158	M8	52.5	11	13	4	30	25	18	20	5	4
	GVM22	15-90	A	188	12	182	47	3.5	148	185	170	156	11	110	130	158	M8	52.5	11	13	4	40	35	22	25	7	6
	GVM28	100-200	A	216	13	208	54	4	170	220	195	180	11	110	130	158	M8	52.5	11	13	4	45	40	28	31	7	8
	GVM32	250-1800	A	351	15	302	66	4	185	255	240	225	13	110	130	158	M8	52.5	11	13	4	55	50	32	35.5	10	25
1/2HP4P (400W)	GVM22	3-10	A	188	12	182	47	3.5	148	185	170	156	11	110	130	158	M8	52.5	14	16.5	5	40	35	22	25	7	6
	GVM28	15-90	A	216	13	208	54	4	170	220	195	180	11	110	130	158	M8	52.5	14	16.5	5	45	40	28	31	7	8
	GVM32	100-200	A	250	15	302	66	4	185	255	240	225	13	110	130	158	M8	52.5	14	16.5	5	55	50	32	35.5	10	21
	GVM40	250-1800	A	385	20	422	80	5	230	310	300	275	15	110	130	158	M8	52.5	14	16.5	5	65	60	40	43.5	10	36
1HP4P (750W)	GVM28	3-25	A	240	13	208	54	4	170	220	195	180	11	130	165	198	M10	78	19	21.5	6	45	40	28	31	7	11
	GVM32	30-120	A	275	15	302	66	4	185	255	240	225	13	130	165	198	M10	78	19	21.5	6	55	50	32	35.5	10	26
	GVM40	125-200	A	305	20	422	80	5	230	310	300	275	15	130	165	198	M10	78	19	21.5	6	65	60	40	43.5	10	38
	GVM50	250-1800	A	460	20	514	89	5	280	390	360	320	19	130	165	198	M10	78	19	21.5	6	80	75	50	54	14	46
2HP4P (1500W)	GVM32	3-30	A	275	15	302	66	4	185	255	240	225	13	130	165	198	M10	78	24	27	8	55	50	32	35.5	10	26
	GVM40	40-120	A	305	20	422	80	5	230	310	300	275	15	130	165	198	M10	78	24	27	8	65	60	40	43.5	10	39
	GVM50	125-180	A	347	20	514	89	5	280	390	360	320	19	130	165	198	M10	78	24	27	8	80	75	50	54	14	62
3HP4P (2200W)	GVM40	4-60	A	320	20	422	80	5	230	310	300	275	15	180	215	250	M12	95	28	31	8	65	60	40	43.5	10	43
	GVM50	70-120	A	365	20	514	89	5	280	390	360	320	19	180	215	250	M12	95	28	31	8	80	75	50	54	14	62
5HP4P (3700W)	GVM40	4-25	A	320	20	422	80	5	230	310	300	275	15	180	215	250	M12	95	28	31	8	65	60	40	43.5	10	43
	GVM50	30-120	A	365	20	514	89	5	280	390	360	320	19	180	215	250	M12	95	28	31	8	80	75	50	54	14	62

\* For larger model sizes, refer to Helical Gear Motor Reducers Series. 如需更大馬力規格請參考齒輪減速機系列。

# GVD Flange Mount Helical Gear Reducer with Input Shaft 法蘭入力軸型齒輪減速機

## Dimensions 外型尺寸表

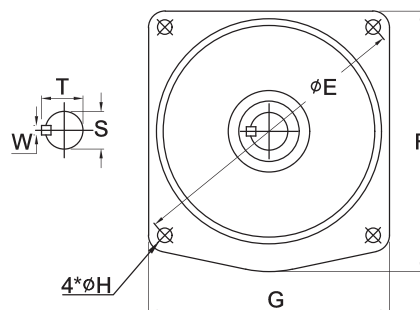
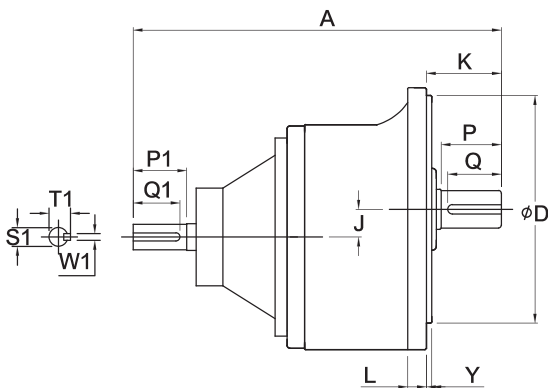


FIG. 圖 A

FIG. 圖 B



HP 馬力 <sup>③</sup> (W)	Frame Size 型號 <sup>②</sup>	Ratio 減速比 <sup>④</sup>	Fig. 圖	A	L	J	K	Y	Flange 法蘭					Input Shaft 入力軸					Output Shaft 出力軸					Weight 重量 (kg)
									D	E	F	G	H	P1	Q1	S1	T1	W1	P	Q	S	T	W	
1/8HP4P (100W)	GVD18	3-50	B	173	10	16	39	5	50	140	120	120	9	30	25	14	16	5	30	25	18	20	5	3
	GVD22	60-200	A	207	12	18.2	47	3.5	148	185	170	156	11	30	25	14	16	5	40	35	22	25	7	4
1/4HP4P (200W)	GVD18	3-10	B	173	10	16	39	5	50	140	120	120	9	30	25	14	16	5	30	25	18	20	5	3
	GVD22	15-90	A	207	12	18.2	47	3.5	148	185	170	156	11	30	25	14	16	5	40	35	22	25	7	5
1/2HP4P (400W)	GVD22	3-10	A	207	12	18.2	47	3.5	148	185	170	156	11	30	25	14	16	5	40	35	22	25	7	6
	GVD28	15-90	A	263	13	20.8	54	4	170	220	195	180	11	30	25	14	16	5	45	40	28	31	7	7
1HP4P (750W)	GVD22	3-10	A	207	12	18.2	47	3.5	148	185	170	156	11	30	25	14	16	5	40	35	22	25	7	6
	GVD32	100-200	A	300	15	30.2	66	4	185	255	240	225	13	30	25	14	16	5	55	50	32	35.5	10	19
1HP4P (750W)	GVD28	3-25	A	268	13	20.8	54	4	170	220	195	180	11	40	35	19	21.5	6	45	40	28	31	7	7
	GVD32	30-120	A	310	15	30.2	66	4	185	255	240	225	13	40	35	19	21.5	6	55	50	32	35.5	10	21
1HP4P (750W)	GVD40	125-200	A	336	20	42.2	80	5	230	310	300	275	15	40	35	19	21.5	6	65	60	40	43.5	10	35
	GVD32	3-30	A	320	15	30.2	66	4	185	255	240	225	13	50	40	24	27.5	8	55	50	32	35.5	10	21
2HP4P (1500W)	GVD40	40-120	A	350	20	42.2	80	5	230	310	300	275	15	50	40	24	27.5	8	65	60	40	43.5	10	35
	GVD50	125-180	A	400	20	51.4	89	5	280	390	360	320	19	50	40	24	27.5	8	80	75	50	54	14	55
3HP4P (2200W)	GVD40	4-60	A	360	20	42.2	80	5	15	20	42.2	80	5	60	50	28	31	8	60	50	28	31	8	35
	GVD50	70-120	A	400	20	51.4	89	5	19	20	51.4	89	5	60	50	28	31	8	60	50	28	31	8	55
5HP4P (3700W)	GVD40	4-25	A	360	20	42.2	80	5	15	20	42.2	80	5	60	50	28	31	8	60	50	28	31	8	35
	GVD50	30-80	A	400	20	51.4	89	5	19	20	51.4	89	5	60	50	28	31	8	60	50	28	31	8	55

\* For larger model sizes, refer to Helical Gear Motor Reducers Series. 如需更大馬力規格請參考齒輪減速機系列。

# POWER TRANSMISSION INDEX

## A1

### Cycloidal Drive Reducer

賽驅樂減速機

HM



Pg.A47

HX



Pg.A55

H



Pg.A61

VM



Pg.A64

VX



Pg.A72

V



Pg.A78

Page  
A01~A82

## A2

### RV Precision Cycloidal Gear

高精密擺線減速機

RV-E



Pg.A84

RV-C



Pg.A84

Page  
A83~A84

## B1

### Precision Planetary Gearbox

精密行星減速機

DA



Pg.B06

DG



Pg.B08

DGT



Pg.B10

DM



Pg.B12

DML



Pg.B14

DF



Pg.B16

DH



Pg.B18

DL



Pg.B20

DN



Pg.B22

RAM-S



Pg.B24

RAM-SS



Pg.B25

RAM-H



Pg.B26

RAM-D



Pg.B27

RAM-F



Pg.B28

RAH-S



Pg.B30

RAH-SS



Pg.B31

RAH-H



Pg.B32

RAH-D



Pg.B33

RAH-F



Pg.B34

HRP



Pg.B38

HRP-H



Pg.B39

Page  
B01~B39

## B2

### Planetary Gear Reducer

遊星式減速機

HF



Pg.B47

VF



Pg.B48

HS



Pg.B49

VS



Pg.B50

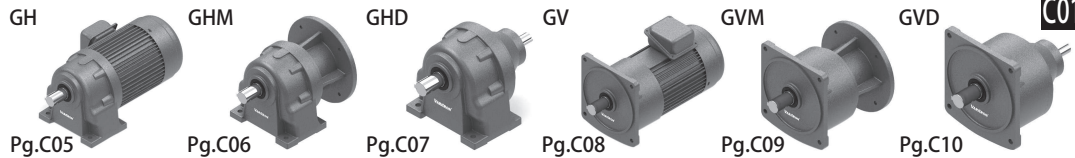
Page  
B40~B51



## C1

### Compact Helical Gear Motor Reducers

小型齒輪減速機



Page  
C01~C10

## C2

### Helical Gear Motor Reducers

齒輪減速機



Page  
C11~C16

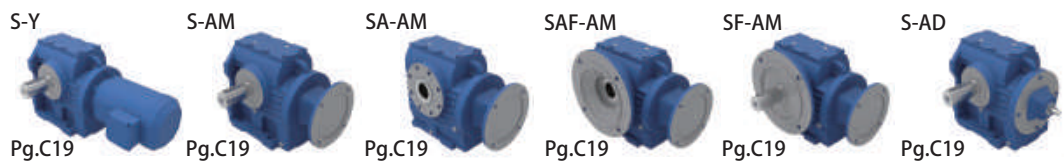
## C3

### SEW Type Gear Reducer

歐規齒輪減速機



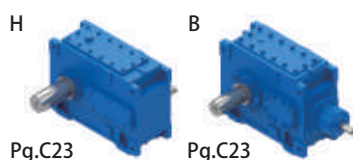
Page  
C18~C21



## C4

### Industrial Helical Bevel Gearbox

齒輪箱



Page  
C22~C23

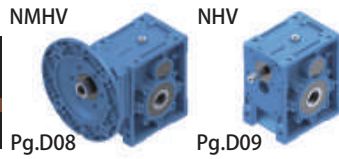


# POWER TRANSMISSION INDEX

## D1

### NMHV Hypoid-Helical Gear Reducer

萬向螺旋齒輪減速機



Page  
D01~D09

## D2

### NMRV Worm Gear Reducer

萬向蝸輪減速機

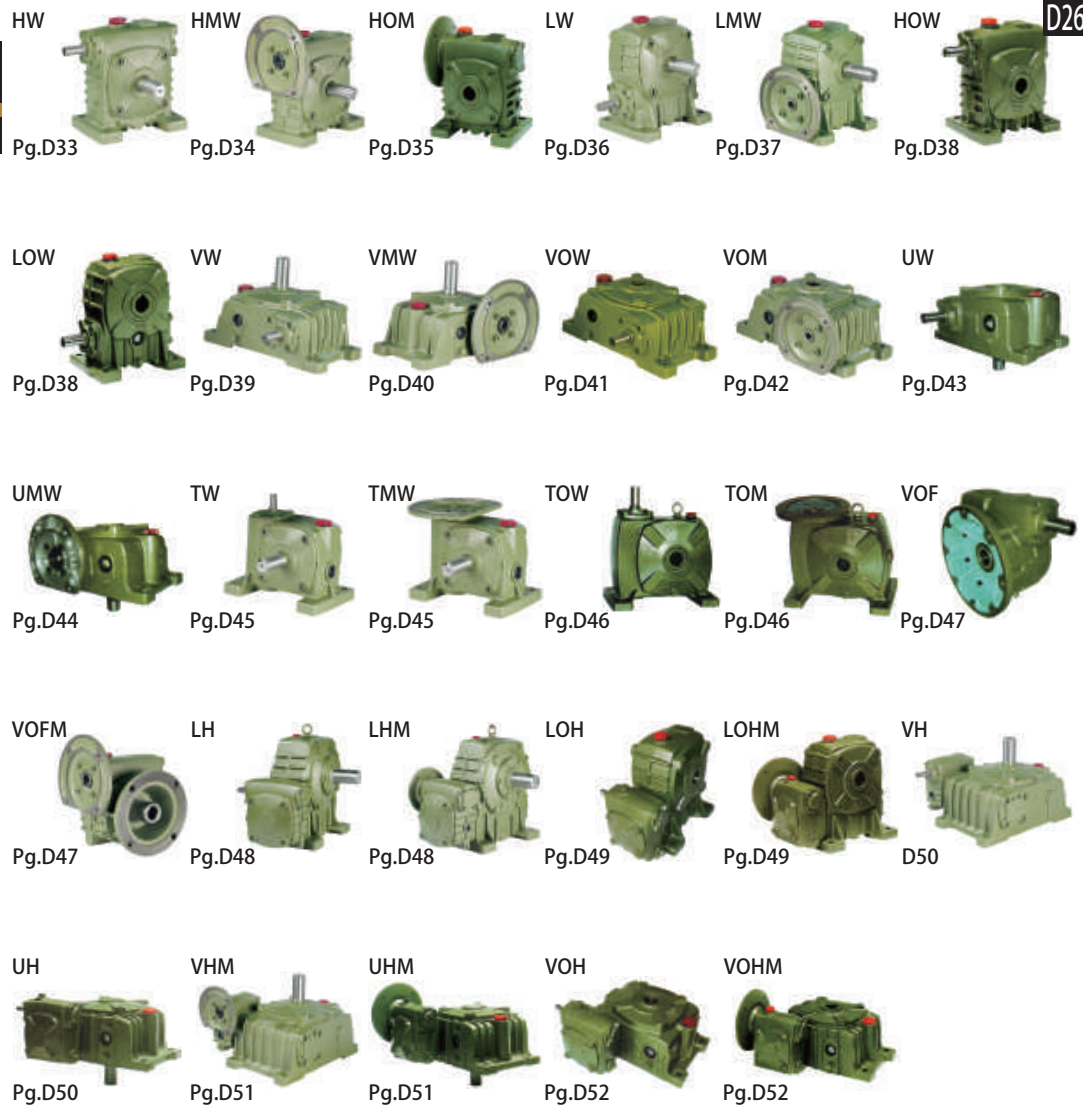


Page  
D10~D25

## D3

### Worm Gear Speed Reducer

蝸輪減速機



Page  
D26~D53

## E1

### Disco Speed Variator

無段變速機



Pg.E07

Pg.E07

Pg.E07

Pg.E07

Pg.E07



Pg.E08

Pg.E08

Page  
E01~E08

## E2

### Belt Stepless Variable Speed Drive

皮帶變速機



Pg.E09

Pg.E10

Page  
E09~E10

## E3

### Five Steps Buffered Speed Changer

五段緩衝式變速機



Pg.E11

Page  
E11

## E4

### PIV Chain Variable Speed Drive

鍊條無段變速機



Pg.E13

Pg.E13

Page  
E12~E14

## F1

### Spiral Bevel Gear Box

十字轉向機



Pg.F03

Page  
F01~F03

## F2

### Spiral Screw Rod Actuators

螺桿升降機



Pg.F06

Pg.F06

Page  
F05~F07

## G

### Induction Electric Motor

感應馬達



Pg.G06

Pg.G07

Pg.G09

Pg.G10

Pg.G10

Page  
G01~G10

## H

### Agitator Mixer

攪拌機



Pg.H05

Pg.H06

Pg.H07

Pg.H08

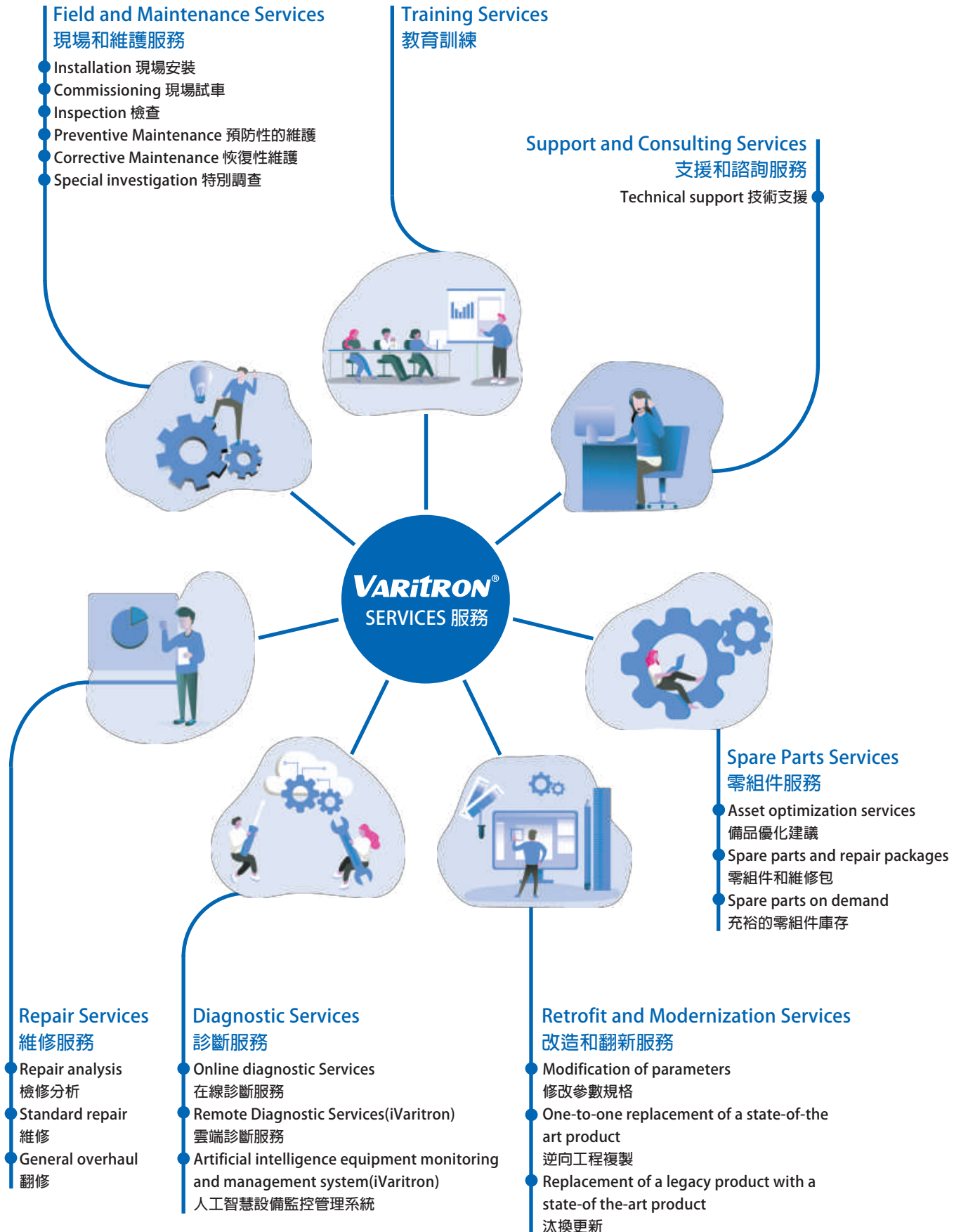
Pg.H09

Pg.H10

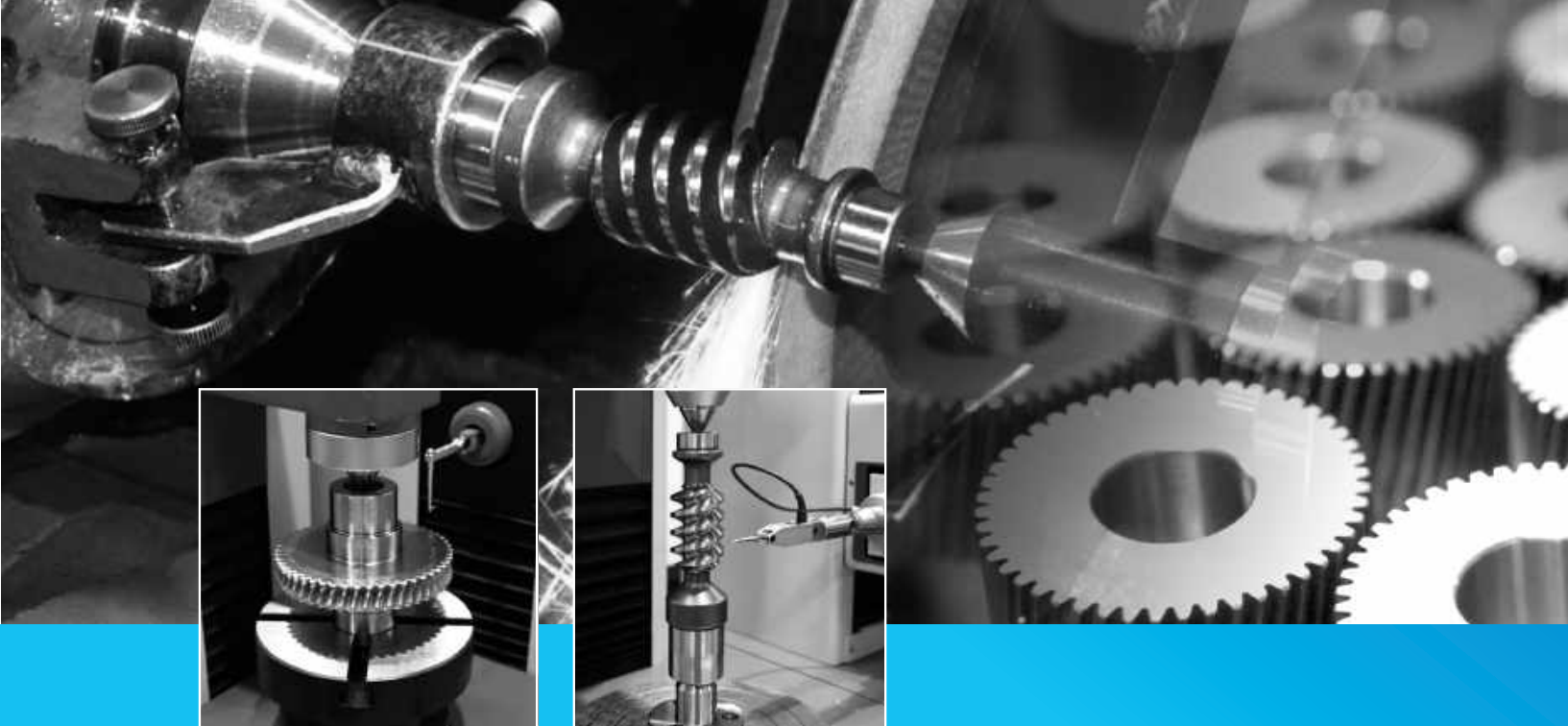
Page  
H01~H10

# VARITRON® Total Solution for Transmission Units

## 全方位的驅動產品服務







## MADE IN TAIWAN

Service perfection, Quality superiority, Research and Development are the core enterprise spirits of VARITRON since 1971. Responding to both domestic customers and international market demands, we never stop to make innovation for gearbox function, efficiency and quality improvement, accompany with accurate and in-time after service. To improve quality control, VARITRON has been certified with ISO9001 since 2008.

Varitron wide power transmission product line including Cycloidal Drive, Precision Planetary Gearbox, Helical Gearmotor, Planetary Gear Reducers, Worm Gearbox, Variator and Induction Motor provides different industries sectors including CNC Machineries, Semi-conductor, Chemical, Steel Industries, Factory facilities, Automation Machineries, robo-tic arm With Varitron strong mechanical engineering team, Varitron provides customizes transmission gearbox and many newly innovated pattern products.

### Service

Towards Varitron's Half-century, we serve more than 40 countries. VARITRON has more than 10 service points in cooperation with regional agents globally to timely assist our customers not only for hardware, like parts and maintenance, but also for software, like design consultant

### Quality

Quality Perfection is Varitron's core value, new machinery and quality check equipment is deploy in the manufacturing. Minimum 30 quality check point is done from raw material to final gearbox. In-house testing laboratory, ISO9001 and ISO14001 quality control system to ensure every gearbox meets perfection.

### Innovation

Our specialized R&D teams constantly developing new gearbox, gear motor and motors for effectively fabricating transmission products, and working to improve machine quality. VARITRON never stops doing market surveys and attending international exhibitions. With decades of knowledge accumulated about market information and changes in machineries trends, we can provide the most valuable information to our clients and assist our clients in industrial upgrading.



**VARITRON®**  
Take Control In Speed

「服務」、「品質」、「研發」是中國變速工程股份有限公司自1971年成立以來一直秉持的核心精神。為因應國際多元化的市場需求，我們不斷挑戰速度及品質的極限亦擁有領先且精密的技術，在近半世紀的努力下，終於從一家國內的減速機工廠蛻變為國際優秀的工業自動化領導品牌。

本公司生產之減速機種類多元，包含賽驅樂減速機、低背隙行星減速機、齒輪減速機、遊星式減速機、蝸輪減速機、無段變速機、攪拌機系列等等，其工業品上的應用更是跨足不同產業，從CNC自動化、汙水處理廠、造紙廠、機械手臂、半導體及到化工廠等等…。為了滿足客戶各項傳動需求，我們尚提供客製化技術，為客戶量身打造一套屬於自己的產品，為客戶節省更多測試及人力成本。

我們具有性能卓越的獨家技術、不斷研發的專利產品，同時還有完善的售前/後服務，才能讓本公司於眾多製造廠商中脫穎而出。

#### 服務

經過半世紀的努力，我們的客戶已超過40個國家，為因應海外市場龐大的業務量及秉持服務品質不縮水的精神，我們已在海外增設多個據點，提供給客戶更即時性的服務。

#### 品質

因為品質的堅持是我們最重要的信念，所以本公司引進最新型、最先進的技術及機器，生產的每樣產品從原料到成品皆須歷經30道以上的檢驗關卡，我們希望透過最嚴謹的製造流程，來確保品質的無虞，並致力通過ISO9001及ISO14001的認證。除證實我們對於品質與自我的要求外，更帶領我們達到積極追求的目標 - 「提供高效率且環境友善的產品」，為環境永續更盡一份心力。

#### 研發

本公司憑藉著永續經營、鍥而不捨的研發精神，不斷吸納專業人才、研發新技術，並努力拓銷至國際市場(韓國、日本、東南亞、澳洲、美國及歐洲等四十多個國家)，歡迎您來體驗中國變速所帶給您的傳動新感受。



[www.varitron.com.tw](http://www.varitron.com.tw)  
[www.c-var.com](http://www.c-var.com)

台灣 **中國變速工程股份有限公司**  
Varitron Engineering (Taiwan) Co., Ltd.

台灣新北市五股區中興路一段171巷45號  
No.45, Ln.171, Sec.1, Zhongxing Rd.,  
Wugu Dist., New Taipei City, Taiwan  
TEL:+886-2-2988-9598  
FAX:+886-2-2985-0998  
EMAIL:sales@c-var.com

